

## Folding Hydraulic Crutch



## Folding Hydraulic Crutch



The new PHR design features an innovative support for trailers, which is based on a retracting double-acting hydraulic system, that ensures better performance and user convenience.

### CHARACTISICS

- Hydraulic crutch with double acting cylinder.
- stabilizer for trailer front shaft
- Maximum Pressure: 200 bar
- Maximum speed: 0.5 m/s
- Temperature: -30° a 90°
- Mineral hydraulic oil

### WELDING

- Do not Weld on the cylinder.  
To weld on any other component, please take pieces apart first.

### RECOMMENDATIONS

- Check the oil cleanliness (pollution).
- Grease frequently.
- Check that there are no obstacles blocking the free movement of parts.

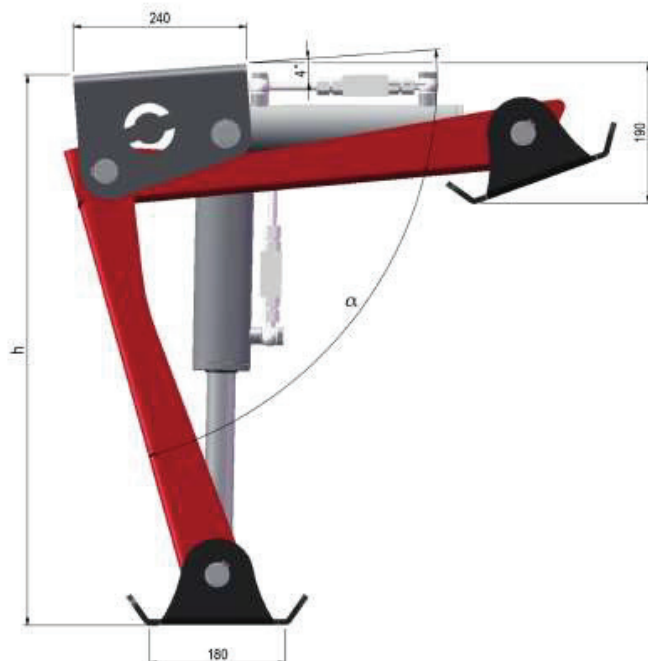
PHR70

PHR80

### STORAGE

- In case of long-term storage under severe weather conditions, the rod must be fully retracted and greased.

## Folding Hydraulic Crutch



POSICIÓN INICIAL/STARTING POSITION



CARRERA/STROKE 25



CARRERA/STROKE 50



CARRERA/STROKE 100



CARRERA/STROKE 150



CARRERA/STROKE 200



POSITION	$\alpha$	HEIGHT h (mm.)	LOAD PHR70 (kg.)	LOAD PHR80 (kg.)
STARTING	1°	180	-	-
STROKE 25	16°	352	3500	4500
STROKE 50	27°	459	5000	6600
STROKE 100	45°	586	6800	8800
STROKE 150	62°	695	7500	9800
STROKE 200	78°	759	7600	10000

**PHR**

Folding Hydraulic Crutch

