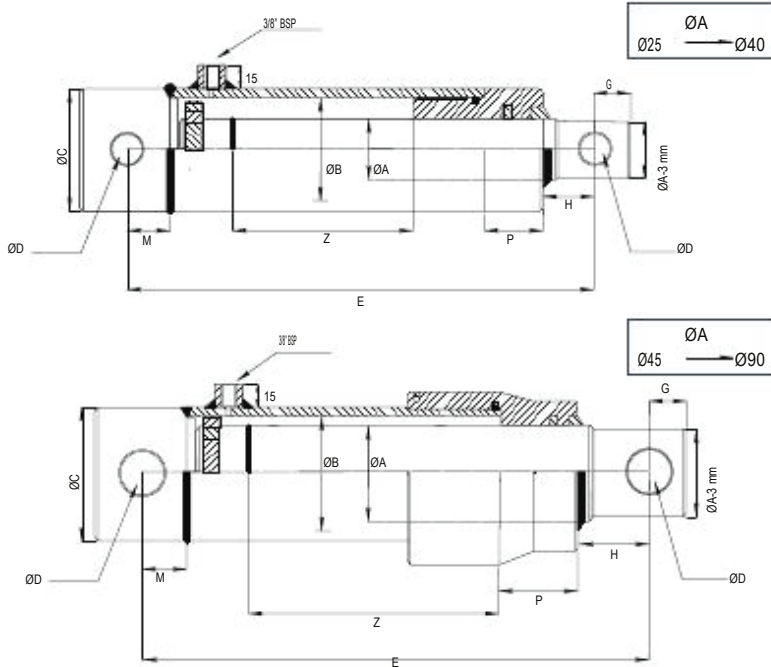
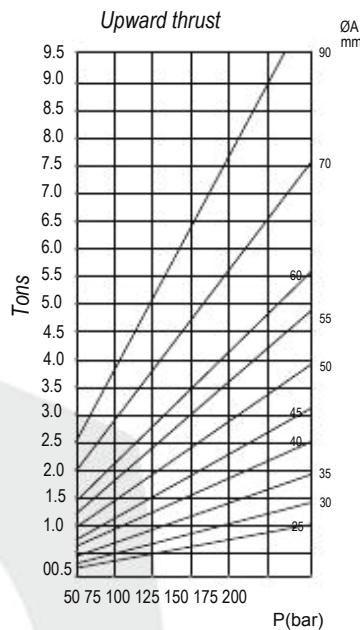
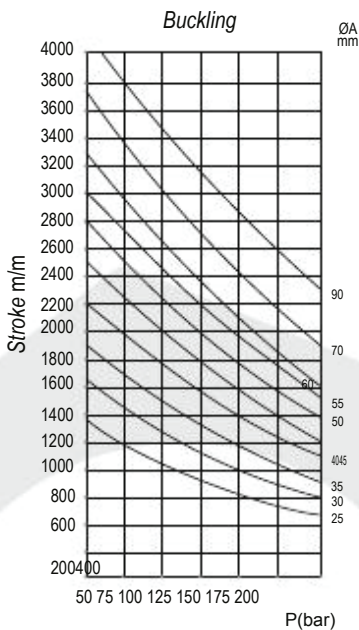


## SERIES 100 - SINGLE ACTING HYDRAULIC CYLINDER



Working pressure: 180 bars.  
 Speed: 0.5 m/s.  
 Working temperature: -25°C - +80°C.  
 Oil: Mineral oil.  
 Rod: C45 17 25 microns.  
 Tube: St52.3 Din2393 Iso H9



Push Force =  $\pi \times r^2 \times \text{pressure (bar)}$   
 Example = Cylinder 40-70/80  
 $3.5^2 \times 3.14 \times 150$  (bar)  
 Total 5769.75 Kgs

Volume =  $\pi \times r^2 \times h$  (height)  
 Example = Cylinder 40-70/80-400 (mm)  
 $3.5^2 \times 3.14 \times 0.04$  (m.)  
 Total 1.5386 litres

Referencia Reference	ØA	Z Carrera Stroke	E	G	D	C	H	M	P	Vol. (litros) (litres)	Peso Weight Kgs.
100/010	25	100	190	14	14.25	40	20	17	20	0.08	1.50
100/020		200	290							0.16	2.30
100/030		300	390							0.24	3.00
101/020	30	200	300	15	16.25	50	22	22	22	0.25	3.60
101/030		300	400							0.38	4.70
101/040		400	500							0.50	6.00
101/050		500	600							0.69	7.60
101/070		700	800							0.88	9.40
102/020	35	200	330	17	20.50	55	24	25	24	0.32	4.70
102/030		300	430							0.48	6.10
102/040		400	530							0.64	7.50
102/050		500	630							0.87	9.60
102/070		700	830							1.11	11.70
103/020	40	200	330	17	20.50	60	32	25	32	0.39	6.00
103/030		300	430							0.59	7.60
103/040		400	530							0.79	9.30
103/050		500	630							1.08	11.70
103/070		700	830							1.37	14.20
104/020	45	200	330	23	25.50	65	35	29	35	0.39	7.00
104/030		300	430							0.59	8.90
104/040		400	530							0.79	10.90
104/050		500	630							1.08	13.70
104/070		700	830							1.37	16.70
105/020	50	200	360	23	25.50	70	35	29	44	0.48	8.90
105/030		300	460							0.71	11.20
105/040		400	560							0.95	13.50
105/050		500	660							1.31	16.80
105/070		700	860							1.66	20.40
106/030	55	300	460	25	30.50	75	40	29	52	0.85	13.60
106/050		500	660							1.56	19.30
106/070		700	860							1.98	24.20
107/020	60	200	360	25	30.50	90	40	29	67	0.66	12.60
107/030		300	460							1.00	15.70
107/040		400	560							1.33	18.70
107/050		500	660							1.83	23.30
107/070		700	860							2.32	28.40
108/030	70	300	480	25	30.50	115	40	29	67	1.51	25.10
108/040		400	580							2.02	29.60
108/050		500	680							2.52	34.50
108/070		700	880							3.53	43.40
109/030	90	300	480	25	30.50	115	40	29	67	2.37	36.50
109/050		500	680							3.94	41.50
109/070		700	880							5.52	48.50

\* Unidades en milímetros.  
Units in millimeters.