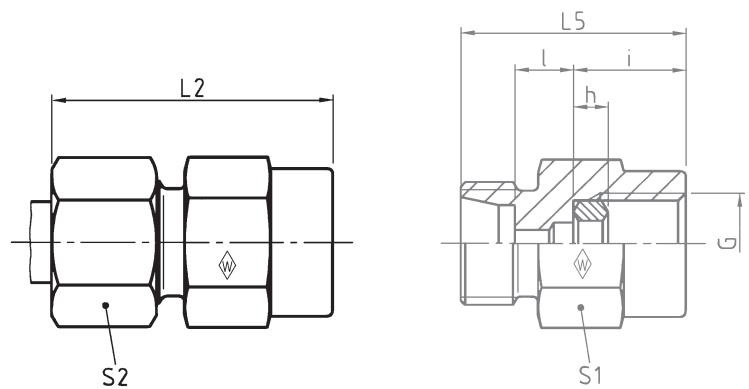


P-MAV..... R

BSP thread
 Whitworth-Rohrgewind
 Filetage Whitworth



DIN-ISO 228 (R ..., DIN 259)

| | | |
|--------|-------|----------------|
| Series | bar | Tube OD |
| Reihe | PN | Rohr-AD |
| Série | (psi) | Tube Ø ext. |

↓
G

| | | | | | | | L ₂ | L ₅ | l | i | h | S ₁ | S ₂ |
|---|----------------|----|-------|--------------------|------------------|------|----------------|----------------|------|------|-----|----------------|----------------|
| L | 500 (7252) | 6 | G 1/4 | P-MAV 6 LR | WAL374334 | 4,6 | 37 | 14,5 | 7,5 | 14,5 | 4,5 | 19 | 14 |
| | | 8 | G 1/4 | P-MAV 8 LR | WAL374335 | 5,3 | 37 | 14,5 | 7,5 | 14,5 | 4,5 | 19 | 17 |
| | | 10 | G 1/4 | P-MAV 10 LR | WAL374336 | 6,2 | 38 | 15,5 | 8,5 | 14,5 | 4,5 | 19 | 19 |
| | 400 (5801) | 12 | G 1/4 | P-MAV 12 LR | WAL374337 | 7,0 | 38 | 15,5 | 8,5 | 14,5 | 4,5 | 19 | 22 |
| S | 800 (11603) | 6 | G 1/2 | P-MAV 6 SR | WAL374338 | 10,5 | 46 | 18x | 11 | 20 | 5 | 27 | 17 |
| | | 8 | G 1/2 | P-MAV 8 SR | WAL374339 | 10,7 | 46 | 18 | 11 | 20 | 5 | 27 | 19 |
| | | 10 | G 1/2 | P-MAV 10 SR | WAL374340 | 12,5 | 47 | 18 | 10,5 | 20 | 5 | 27 | 22 |
| | 630 (9137) | 12 | G 1/2 | P-MAV 12 SR | WAL374341 | 13,4 | 47 | 18 | 10,5 | 20 | 5 | 27 | 24 |

L₂ = approximate length with nut tightened
 L₂ = Ungefährmaß bei angezogener Überwurfmutter
 L₂ = longueur approximative, l'écrou étant bloqué

