

FF-30

**Electric Hose Crimping Machine
Max 1 1/2" 2-SN (DN38, -24)**

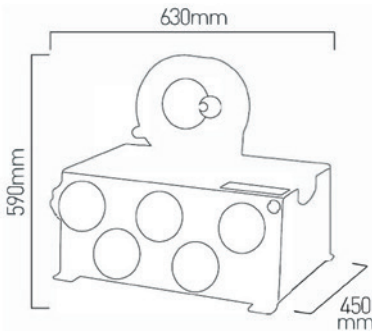
Enlarged opening for elbows, Minimum space requirement.

Head protected by foam inserts.

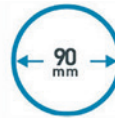
This machine is compact, reliable, robust and easy to use and handle thanks to its low weight (65 kgs).

Included : 2 x Side Protection Panels

Optional : Front Die Holders (PDR)
Quick Change Tool (QCT), Support Bench (ST)



Optional



PRODUCT FEATURES

- COMPACT, EASY TO USE
- ECONOMICAL HOSE CRIMPER
- FRONT RACKINGS FOR DIE
- HIGH PRECISION

PRICE FOR MACHINE

NO DIE INCLUDED
SELECT DIES FROM TABLE BELOW

PART NO.	DIE SIZE Ø	HOSE SIZE	NETT. PRICE	
			£ STERLING	€ EUROS
FF25-DIE-06	6	*BY MAN	£231.05	€ 267.56
FF25-DIE-08	8	*BY MAN	£231.05	€ 267.56
FF25-DIE-10	10	*BY MAN	£176.09	€ 203.91
FF25-DIE-12	12	*BY MAN	£176.09	€ 203.91
FF25-DIE-15	15	*BY MAN	£176.09	€ 203.91
FF25-DIE-18	18	**1/4"	£176.09	€ 203.91
FF25-DIE-21	21	**3/8"	£176.09	€ 203.91
FF25-DIE-24	24	**1/2"	£176.09	€ 203.91
FF25-DIE-27	27	**5/8"	£176.09	€ 203.91
FF25-DIE-30	30	**3/4"	£176.09	€ 203.91
FF25-DIE-33	33	*BY MAN	£176.09	€ 203.91
FF25-DIE-39	39	**1"	£176.09	€ 203.91
FF25-DIE-48	48	*BY MAN	£176.09	€ 203.91
FF25-DIE-51	51	**1 1/4"	£176.09	€ 203.91
FF25-DIE-57	57	**1 1/2"	£231.05	€ 267.56

TECHNICAL SPECIFICATION

Indicative Hose Capacity	2-SN: 1 1/2" [DN38; -24] 4-SP: 1 1/4" [DN32; -20] R13/R15/Interlock: 1" [DN25; -16] Max. size for assembly with 2 x 90° elbows: max. 3/4" [ON 19]
Motor/Electrics	2.2 kW -400V3-PH + Earth+ Neutral 50Hz 2.2 kW - 230V 1-PH 60Hz 1.5 kW - 11 0V 1-PH 60Hz 2 kW-12 VDC [NK30-DC12]
Radial Press Force	130 Tons
Opening	Ø Die + 28mm [Press Path + 12mm]
Opening without dies	98mm
Master Die Shoe Length	75mm
Nett Weight	68 KG
Packing	Wooden crate conform to ISPM15 Crate size : 58x70x75cms Gross weight [with 5 sets of dies]: 105 kgs
Noise Level	< 70 dB[A]

**The hose sizes stating hose size in table above are for use with Flowfits Vincke Hydraulic Hose!
*BY MAN = By Manufacturer, Hose size determined by hose manufacturers crimping data- Please check with YOUR hose supplier!