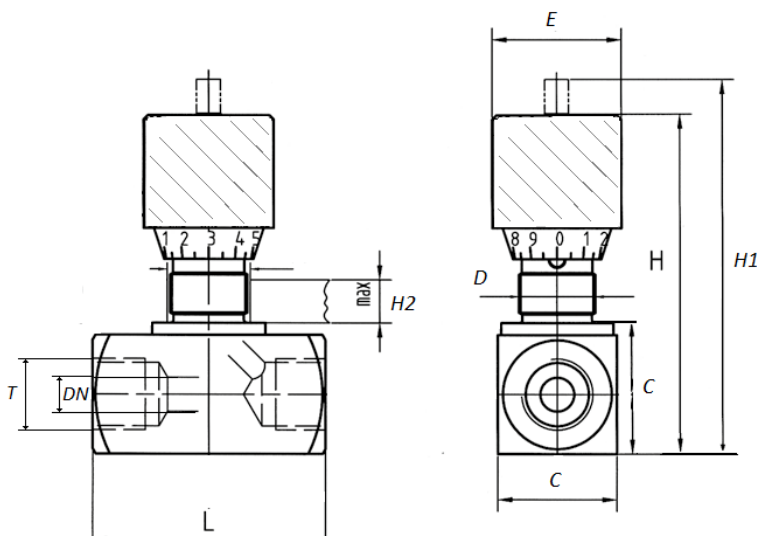


# High Pressure Ball Valves

## EHTVG/EHCVG-Series Steel Flow Control Valves (PN 350 bar)

### Specification:

Body:	Carbon Steel	
Ball:	Steel	
Handel:	Aluminium	
Ring Stem:	PTFE	
Spring:	C98	
O-rings:	NBR	
Ball Seal:	Delrin (POM)	
Surface Treatment:	Cr3	
Temperature Range:	Body	-20°C to 120°C
	NBR Seal	-20° to 120°C



Part Code	DN (mm)	PN	MAX. flow L/min	L (mm)	H (mm)	H1 (mm)	C (mm)	D	E (mm)	T (mm)
EHTVG1/4	6	350 bar	12	50	66	73	20	M20X1	30	1/4"
EHTVG3/8	10	350 bar	30	57	72	79	25	M25X1	30	3/8"
EHTVG1/2	13	350 bar	50	67	92.5	102.5	30	M30X1.5	45	1/2"
EHTVG3/4	20	350 bar	85	82.5	105	115	40	M35X1.5	45	3/4"
EHTVG1	25	350 bar	150	93	115	125	45	M35X1.5	45	1"

Part Code	DN (mm)	PN	MAX. flow L/min	L (mm)	H (mm)	H1 (mm)	C (mm)	D	E (mm)	T (mm)
EHCVG1/4	6	350 bar	12	68.5	66	73	20	M20X1	30	1/4"
EHCVG3/8	10	350 bar	30	83	72	79	25	M25X1	30	3/8"
EHCVG1/2	13	350 bar	50	95	92.5	102.5	30	M30X1.5	45	1/2"
EHCVG3/4	20	350 bar	85	117	105	115	40	M35X1.5	45	3/4"
EHCVG1	25	350 bar	150	138	115	125	45	M35X1.5	45	1"