

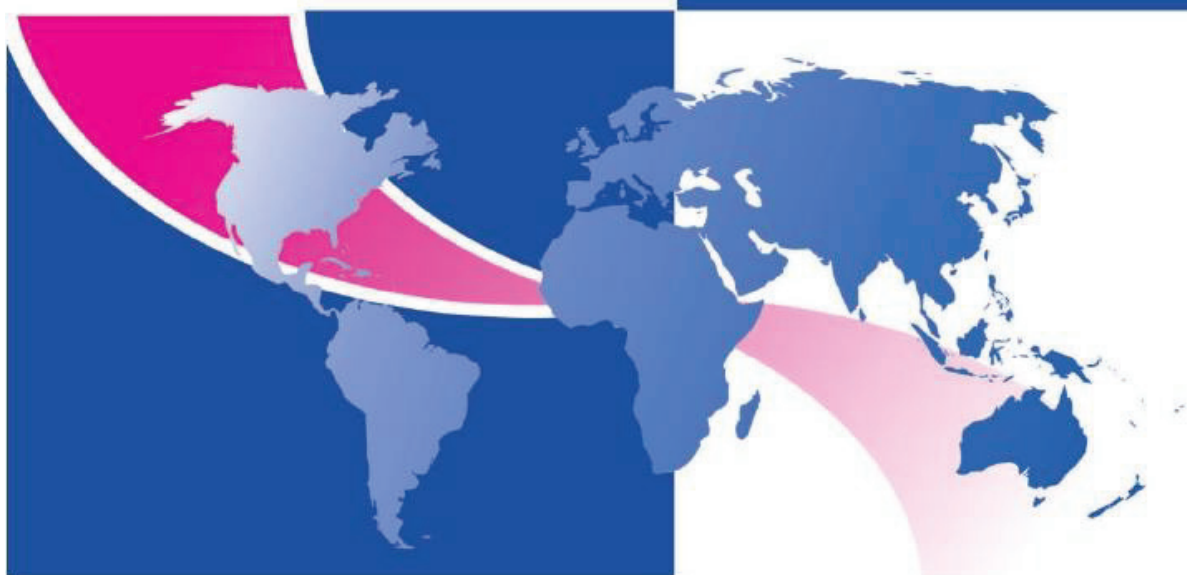


 ACCESSORI  
 ACCESSORIES



**FILTREC**<sup>®</sup>  
Technical Filtration

serie  
**FT**



## Serie FT

Tappi di riempimento con sfiato  
 Filler breather filters



### FILTER HOUSING

**Description:**  
**Filter media:**  
**Max flow rate:**  
**Basket:**  
**Chain:**  
**Materials:**

### Technical Information

Filler breathers filters  
 Cellulose 10, 40µ

- FT-5 200 l/min (53 gpm)
- FT-7 and FT-8 500 l/min (132 gpm)

500µ

FT-8-.../1 and FT-8-.../2 are equipped with a connection chain between cap and flange.

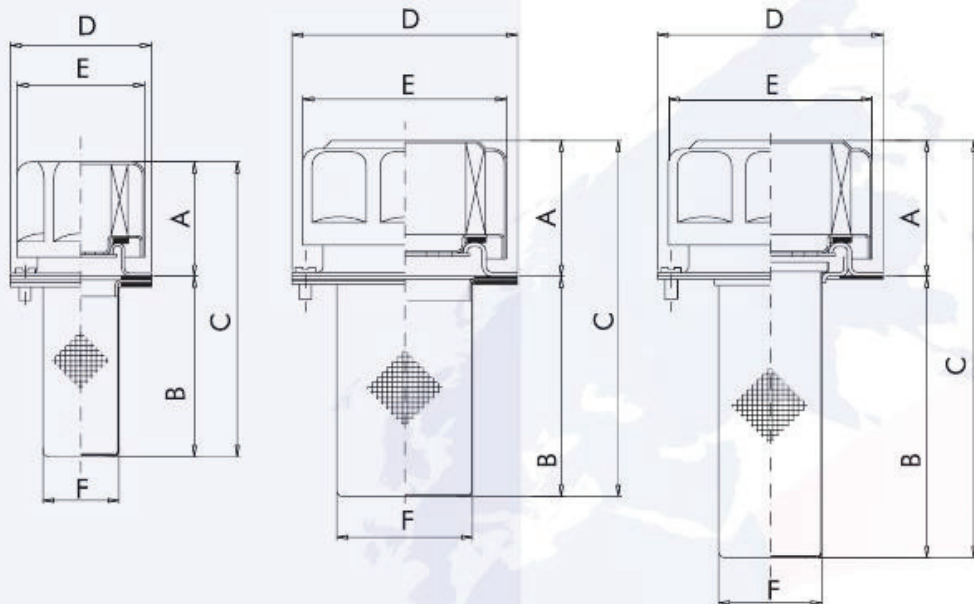
- Cap: chrome plated steel
- Basket: zinc steel
- Flange: zinc steel
- Gasket: cork

ORDER CODE	OUTER DIAMETER	TOTAL LENGTH	WIDTH OF BASKET	LENGTH OF BASKET	MOUNTING	AIR RATING INNER ELEMENT	PRESSURISED RATING
<b>STANDARD FILLER BREATHERS</b>							
FT5C10	52MM	112MM	29MM	64MM	3 HOLE P.C.D 41MM	10 MICRON	N/A
FT5C40	52MM	112MM	29MM	64MM	3 HOLE P.C.D 41MM	40 MICRON	N/A
FT8C101	83MM	135MM	78MM	78MM	6 HOLE P.C.D 73MM	10 MICRON	N/A
FT8C102	83MM	205MM	148MM	148MM	6 HOLE P.C.D 73MM	10 MICRON	N/A
FT8C401	83MM	135MM	78MM	78MM	6 HOLE P.C.D 73MM	40 MICRON	N/A
FT8C402	83MM	205MM	148MM	148MM	6 HOLE P.C.D 73MM	40 MICRON	N/A
<b>STANDARD LOCKABLE FILLER BREATHERS</b>							
FT8C1010L	83MM	135MM	78MM	78MM	6 HOLE P.C.D 73MM	10 MICRON	N/A
FT8C1020L	83MM	205MM	148MM	148MM	6 HOLE P.C.D 73MM	10 MICRON	N/A
FT8C4010L	83MM	135MM	78MM	78MM	6 HOLE P.C.D 73MM	40 MICRON	N/A
FT8C4020L	83MM	205MM	148MM	148MM	6 HOLE P.C.D 73MM	40 MICRON	N/A
<b>PRESSURISED FILLER BREATHERS</b>							
FT8C101V03	83MM	135MM	78MM	78MM	6 HOLE P.C.D 73MM	10 MICRON	0.35 BAR (5 PSI)
FT8C101V07	83MM	135MM	78MM	78MM	6 HOLE P.C.D 73MM	10 MICRON	0.75 BAR (10.8 PSI)
FT8C102V03	83MM	205MM	148MM	148MM	6 HOLE P.C.D 73MM	10 MICRON	0.35 BAR (5 PSI)
FT8C102V07	83MM	205MM	148MM	148MM	6 HOLE P.C.D 73MM	10 MICRON	0.75 BAR (10.8 PSI)
FT8C401V03	83MM	135MM	78MM	78MM	6 HOLE P.C.D 73MM	40 MICRON	0.35 BAR (5 PSI)
FT8C401V07	83MM	135MM	78MM	78MM	6 HOLE P.C.D 73MM	40 MICRON	0.75 BAR (10.8 PSI)
FT8C402V03	83MM	205MM	148MM	148MM	6 HOLE P.C.D 73MM	40 MICRON	0.35 BAR (5 PSI)
FT8C402V07	83MM	205MM	148MM	148MM	6 HOLE P.C.D 73MM	40 MICRON	0.75 BAR (10.8 PSI)
<b>PRESSURISED LOCKABLE FILLER BREATHERS</b>							
FT8C101V03L	83MM	135MM	78MM	78MM	6 HOLE P.C.D 73MM	10 MICRON	0.35 BAR (5 PSI)
FT8C101V07L	83MM	135MM	78MM	78MM	6 HOLE P.C.D 73MM	10 MICRON	0.75 BAR (10.8 PSI)
FT8C102V03L	83MM	205MM	148MM	148MM	6 HOLE P.C.D 73MM	10 MICRON	0.35 BAR (5 PSI)
FT8C102V07L	83MM	205MM	148MM	148MM	6 HOLE P.C.D 73MM	10 MICRON	0.75 BAR (10.8 PSI)
FT8C401V03L	83MM	135MM	78MM	78MM	6 HOLE P.C.D 73MM	40 MICRON	0.35 BAR (5 PSI)
FT8C401V07L	83MM	135MM	78MM	78MM	6 HOLE P.C.D 73MM	40 MICRON	0.75 BAR (10.8 PSI)
FT8C402V03L	83MM	205MM	148MM	148MM	6 HOLE P.C.D 73MM	40 MICRON	0.35 BAR (5 PSI)
FT8C402V07L	83MM	205MM	148MM	148MM	6 HOLE P.C.D 73MM	40 MICRON	0.75 BAR (10.8 PSI)

ORDER CODE	CAP WIDTH	TOTAL LENGTH	WIDTH OF BASKET	AIR RATING INNER ELEMENT	CONNECTION	PRESSURISED RATING
<b>THREADED FILLER BREATHERS</b>						
FT7C10B300	75MM	67MM	75MM	10 MICRON	1/2" BSP	N/A
FT7C10B400	75MM	67MM	75MM	10 MICRON	3/4" BSP	N/A
FT7C40B300	75MM	67MM	75MM	40 MICRON	1/2" BSP	N/A
FT7C40B400	75MM	67MM	75MM	40 MICRON	3/4" BSP	N/A
<b>PRESSURISED FILLER BREATHERS</b>						
FT7C10B3V03	75MM	67MM	75MM	10 MICRON	1/2" BSP	0.35 BAR (5 PSI)
FT7C10B3V07	75MM	67MM	75MM	10 MICRON	1/2" BSP	0.75 BAR (10.8 PSI)
FT7C10B4V03	75MM	67MM	75MM	10 MICRON	3/4" BSP	0.35 BAR (5 PSI)
FT7C10B4V07	75MM	67MM	75MM	10 MICRON	3/4" BSP	0.75 BAR (10.8 PSI)
FT7C40B3V03	75MM	67MM	75MM	40 MICRON	1/2" BSP	0.35 BAR (5 PSI)
FT7C40B3V07	75MM	67MM	75MM	40 MICRON	1/2" BSP	0.75 BAR (10.8 PSI)
FT7C40B4V03	75MM	67MM	75MM	40 MICRON	3/4" BSP	0.35 BAR (5 PSI)
FT7C40B4V07	75MM	67MM	75MM	40 MICRON	3/4" BSP	0.75 BAR (10.8 PSI)

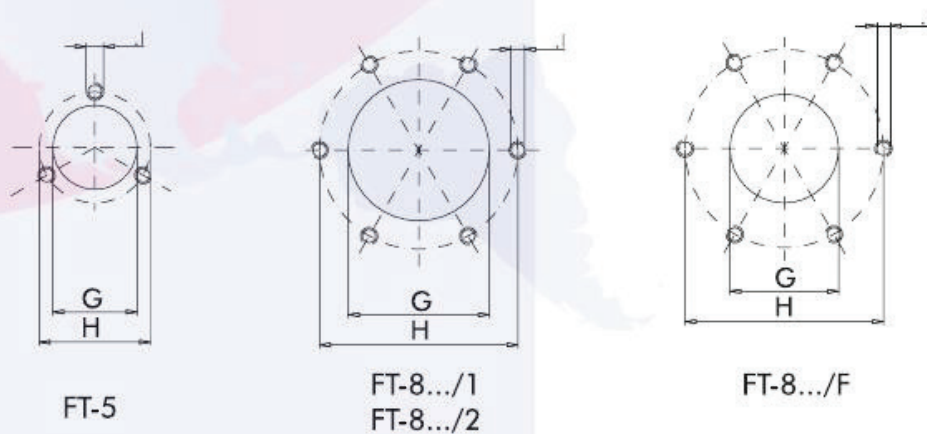
## Informazioni dimensionali

Overall dimensions



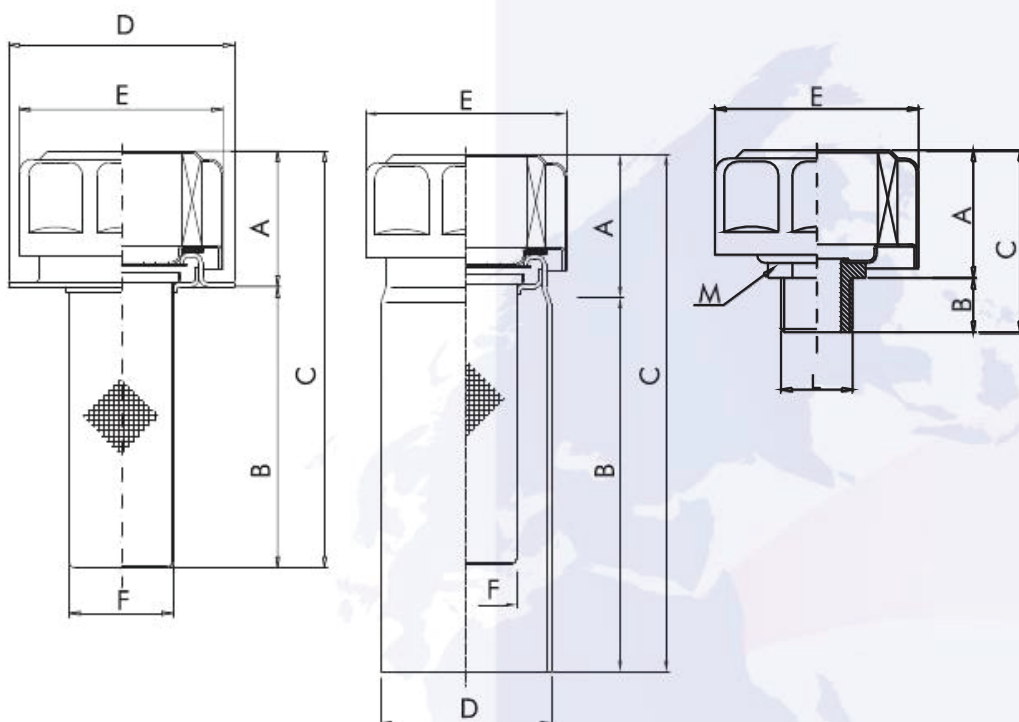
## Foratura serbatoio

Tank hole dimensions



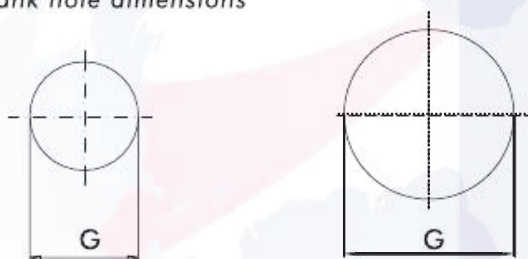
## Informazioni dimensionali

Overall dimensions



## Foratura serbatoio

Tank hole dimensions



FT-8.../G

FT-8.../S

FT-7

### 1) Grandezza nominale - Nominal size

FT-5	42	65	107	52	47	27,5	31	41	M5	---	---	No
FT-7	47	20	67	---	75	---	---	---	---	3/4" BSP - NPT 1/2" BSP - NPT	32	No
FT-8...1	50	80	130	83	75	50	52	73	M5	---	---	Si Yes
FT-8...2	50	150	200	83	75	50	52	73	M5	---	---	Si Yes
FT-8...F	50	100	150	83	75	38	40	73	M5	---	---	No
FT-8.../G	50	100	150	83	75	38	40	---	---	---	---	No
FT-8.../S	50	133	183	63,5	75	38	64	---	---	---	---	No

## 2) Grado di filtrazione - Filtration ratings

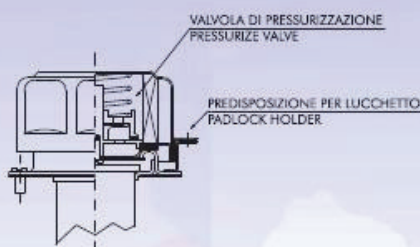
Codice - Code	Materiale - Media	Efficienza - Efficiency
<b>C10</b>	carta trattata / resin impregnated cellulose	$\beta_{10} \geq 2$
<b>C40</b>	carta trattata / resin impregnated cellulose	$\beta_{40} \geq 2$

## 3) Conessioni - Connection port

Codice - Code	Connessione - Connection
<b>B3</b>	1/2" BSP
<b>B4</b>	3/4" BSP
<b>N3</b>	1/2" NPT
<b>N4</b>	3/4" NPT

## 4) Valvola di pressurizzazione - Pressurize valve

Codice - Code	Tipo indicatore - Indicator type	Note
<b>0</b>	senza / without	
<b>V03</b>	taratura 0,35 Bar setting 0,35 Bar (5 psi)	Non disponibile per FT-5 Not available for FT-5
<b>V07</b>	taratura 0,75 Bar setting 0,75 Bar (10,8 psi)	Non disponibile per FT-5 Not available for FT-5



## 5) Predisposizione per lucchetto - Padlock holder

Codice - Code	Predisp. lucchetto - Padlock holder
<b>0</b>	senza / without
<b>L</b>	con / with

Non disponibile per FT-5 e FT-7  
Not available for FT-5 and FT-7

## Codici per l'ordinazione - Ordering information

Serie FT-5 e FT-8  
FT-5 and FT-8 series

<b>FT-8</b>	<b>C10</b>	<b>/2</b>	<b>V07</b>	<b>L</b>
1*	2*	1*	4*	5*

Serie FT-7  
FT-7 series

<b>FT-7</b>	<b>C10</b>	<b>B4</b>	<b>V07</b>
1*	2*	3*	4*