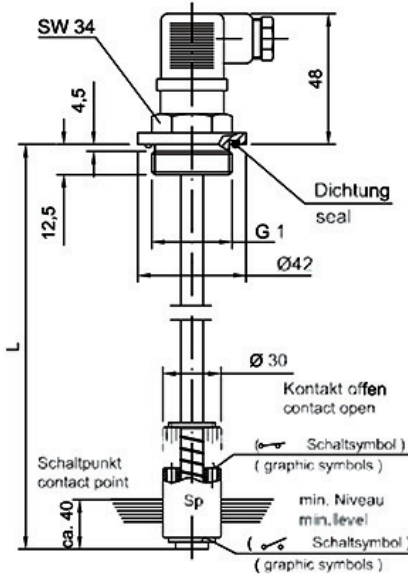


ELECTRIC FLOATING LEVEL GAUGES

SERIE NS 1 WITH 1 SWITCH CONTACT

www.flowfitonline.com
TECH. DATA SHEET
FA03

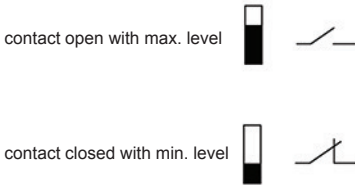


DESCRIPTION

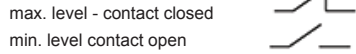
- Electrical level supervision
- Appropriate for mineral oil, diesel and benzine
- 1 switch contact
- Electrical circuit for level, min/max
- Standard version level max = contact open

TECHNICAL DATA

- Stem: Brass
- Float: Nylon
- Max. Temp: 80° C
- Protection: IP 65
- Hysteresis: 2-3 mm
- Max voltage: 250 VAC
- Max switch current: Level 1.3 A
- Power AC/DC Level: 80 W/VA



By turning the float the contact is changed to:



PART NUMBER	TYPE	L	NETT. PRICE	
			£ STERLING	€ EUROS
FLG1420	NS 1-N0/100	100		
FLG1422	NS 1-N0/150	150		
FLG1424	NS 1-N0/200	200		
FLG1426	NS 1-N0/250	250		
FLG1428	NS 1-N0/300	300		
FLG1430	NS 1-N0/350	350		
FLG1432	NS 1-N0/400	400		
FLG1434	NS 1-N0/500	500		

