



  
  
**ACCESSORI**  
**ACCESSORIES**



**FILTREC®**  
Technical Filtration

serie  
**FL**



## Serie FL

Indicatori visivi di livello per fluidi  
*Fluid level temperature gauges*



### FILTER HOUSING

**Description:**

**Max working pressure:**

**Connection Ports:**

**Working temperature:**

**Thermometer:**

**Materials:**

### Technical Information

*Fluid level temperature gauges*

1 Bar (14.5 psi)

Metric

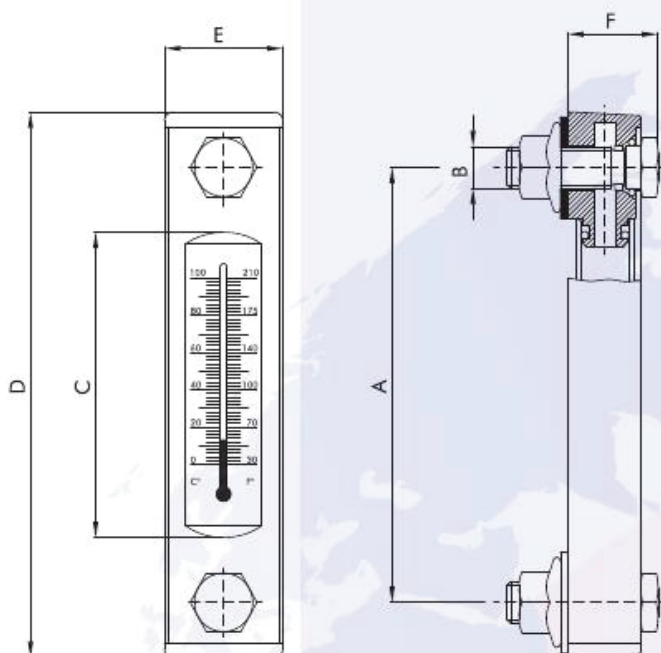
-20°C +80°C (-4°F +176°F)

Double scale 0°C ÷ 100°C 30°F ÷ 210 °F

- Heads: nylon
- Protection: anodized aluminium
- Screws: zinc steel
- Seal: Buna-N *compatible as per ISO 2943 with mineral oil (HH-HL-HM-HR-HV-HG) water oil emulsions (HFAE-HFAS)*

ORDER CODE	HOLE CENTRES	BOLT THREAD SIZE	LENGTH	WIDTH	ELEMENT
FL1M10	76MM	M10X1.5	106MM	36MM	D120G10A
FL1M12	76MM	M12X1.75	106MM	36MM	D124G10A
FL1TM10	76MM	M10X1.5	106MM	36MM	D121G10A
FL1TM12	76MM	M12X1.75	106MM	36MM	D140G10A
FL2M10	127MM	M10X1.5	157MM	36MM	D141G10A
FL2M12	127MM	M12X1.75	157MM	36MM	D142G10A
FL2TM10	127MM	M10X1.5	157MM	36MM	D120G25A
FL2TM12	127MM	M12X1.75	157MM	36MM	D124G25A
FL3M10	254MM	M10X1.5	284MM	36MM	D121G25A
FL3M12	254MM	M12X1.75	284MM	36MM	D140G25A
FL3TM10	254MM	M10X1.5	284MM	36MM	D141G25A
FL3TM12	254MM	M12X1.75	284MM	36MM	D142G25A

## Informazioni dimensionali - Overall dimensions



### 1) Grandezza nominale - Nominal size

FL-1	76	M10	35	106	36	30
FL-2	127	M12	86	157	36	30
FL-3	254		213	284	36	30

### 2) Termometro - Temperature indicator

0	senza / without
T	con / with

### 3) Conessioni - Connection port

M10	M10
M12	M12

## Codici per l'ordinazione - Ordering information

FL-2	T	M12
1*	2*	3*