

CLUTCHES AND GEARBOXES

ELECTRO-MAGNETIC CLUTCHES

| PRODUCT | PAGE |
|----------------------------------|------|
| 10 daNm ELECTROMAGNETIC CLUTCHES | 324 |
| 14 daNm ELECTROMAGNETIC CLUTCHES | 328 |
| 21 daNm ELECTROMAGNETIC CLUTCHES | 332 |
| 50 daNm ELECTROMAGNETIC CLUTCHES | 334 |



QUALITY PRODUCTS



FREE ADVICE

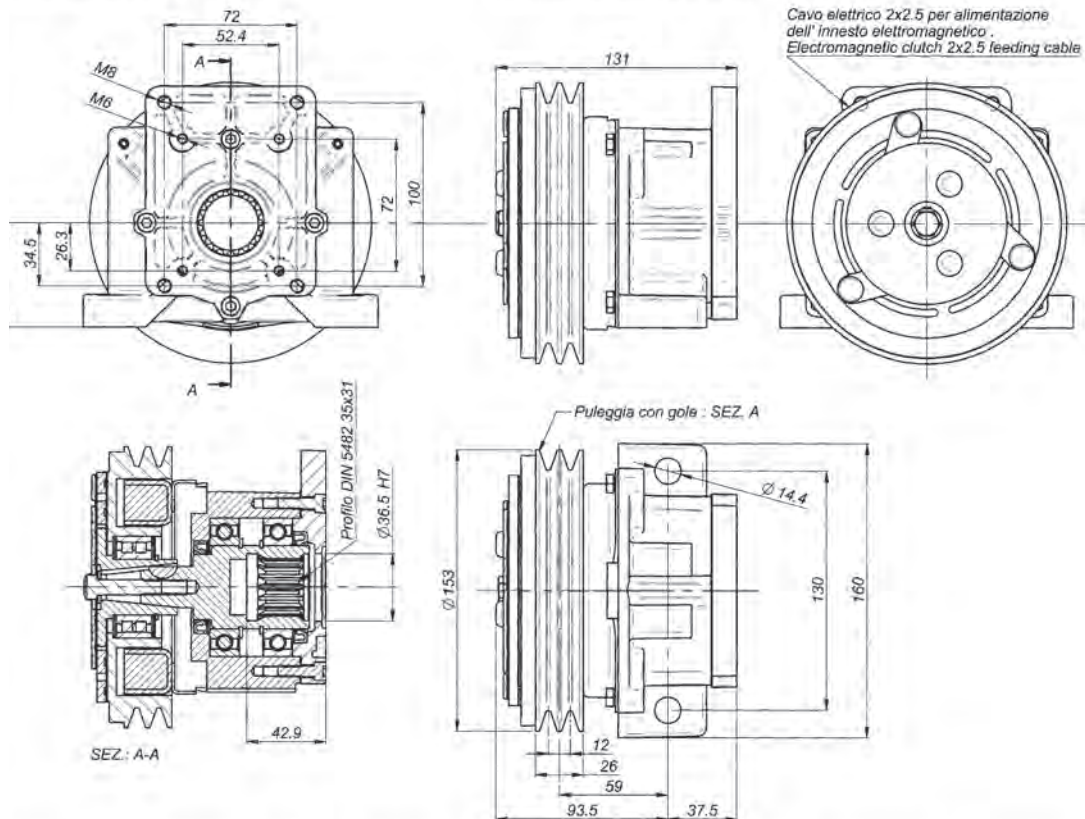


10 daNm ELECTROMAGNETIC CLUTCHES

www.flowfitonline.com
TECH. DATA SHEET
EC01

SERIE: 30901 12 Volt

SERIE: 30903 24 Volt



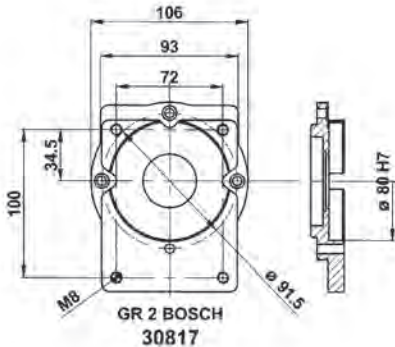
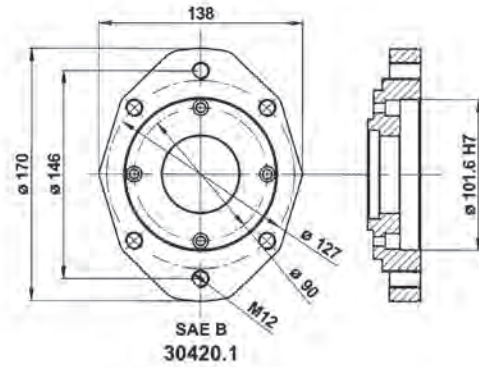
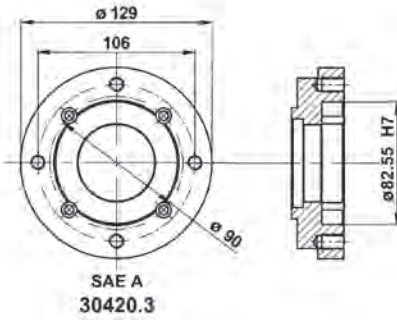
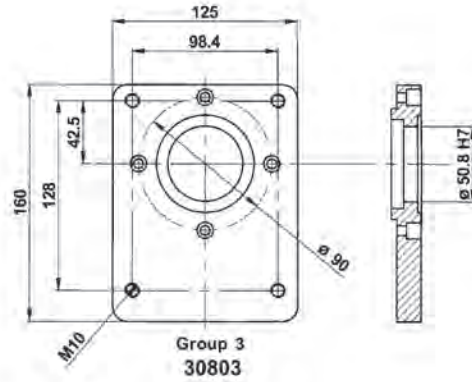
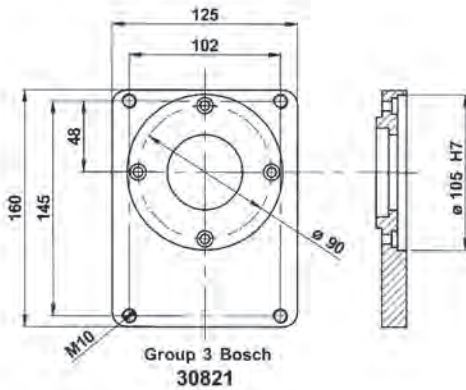
| | | | | | | |
|---------------------|----------------|--------------------|-------------------------------------|----------|-----------|--------|
| Nominal torque | 7,8 daNm | Connection time | 25 m/sec | | | |
| Static torque | 12,5 daNm | Disconnection time | 40 m/sec | | | |
| Dynamic torque | 8,5 daNm | at 500 rpm | Minimum time between two connection | | | |
| | 7,0 daNm | at 1000 rpm | | | | |
| | 4,2 daNm | at 1500 rpm | | | | |
| | 3,5 daNm | at 2000 rpm | Max speed | 5000 rpm | | |
| | 2,7 daNm | at 2500 rpm | Weight | 5,5 Kg | | |
| 2,5 daNm | at 3000 rpm | | | | | |
| Electric absorption | Resistance (Ω) | | Current (A) | | Power (W) | |
| | 20° C | 120° C | 20° C | 120° C | 20° C | 120° C |
| 12 V DC | 4,00 | 5,60 | 3,33 | 2,00 | 40,00 | 24,00 |
| 24 V DC | 20,00 | 28,00 | 1,26 | 0,77 | 30,30 | 18,18 |

All technical data are at 20°C / at 120 °C the performance are less 20%
All electromagnetic clutches are reversible.

| PART NO. | DESCRIPTION | NETT. PRICE | |
|------------|--|-------------|----------|
| | | £ STERLING | € EUROS |
| 29 - 30901 | Electromagnetic clutch 12V. 10 daNm for European Group 1 and Group 2 Pumps | £226.24 | € 305.41 |
| 29 - 30903 | Electromagnetic clutch 24V. 10 daNm for European Group 1 and Group 2 Pumps | £226.24 | € 305.41 |
| 29 - 30909 | Electromagnetic clutch 12V. 10 daNm for European Group 3 Pump | £226.24 | € 305.41 |
| 29 - 30911 | Electromagnetic clutch 24V. 10 daNm for European Group 3 Pump | £226.24 | € 305.41 |

If the part number needed is not listed please ask the Flowfit Sales Team

FLANGES FOR 10 daNm ELECTROMAGNETIC CLUTCHES



| Electric absorption | CLUTCHES COMPLETE WITH ABOVE FLANGES | | | | |
|---------------------|--------------------------------------|-------|-------------|----------|----------|
| | Gr.2 BOSCH | Gr.3 | Gr. 3 BOSCH | SAE A | SAE B |
| 12 Volt | 30917 | 30909 | 30925 | 30901/SA | 30901/SB |
| 24 Volt | 30919 | 30911 | 30927 | 30903/SA | 30903/SB |

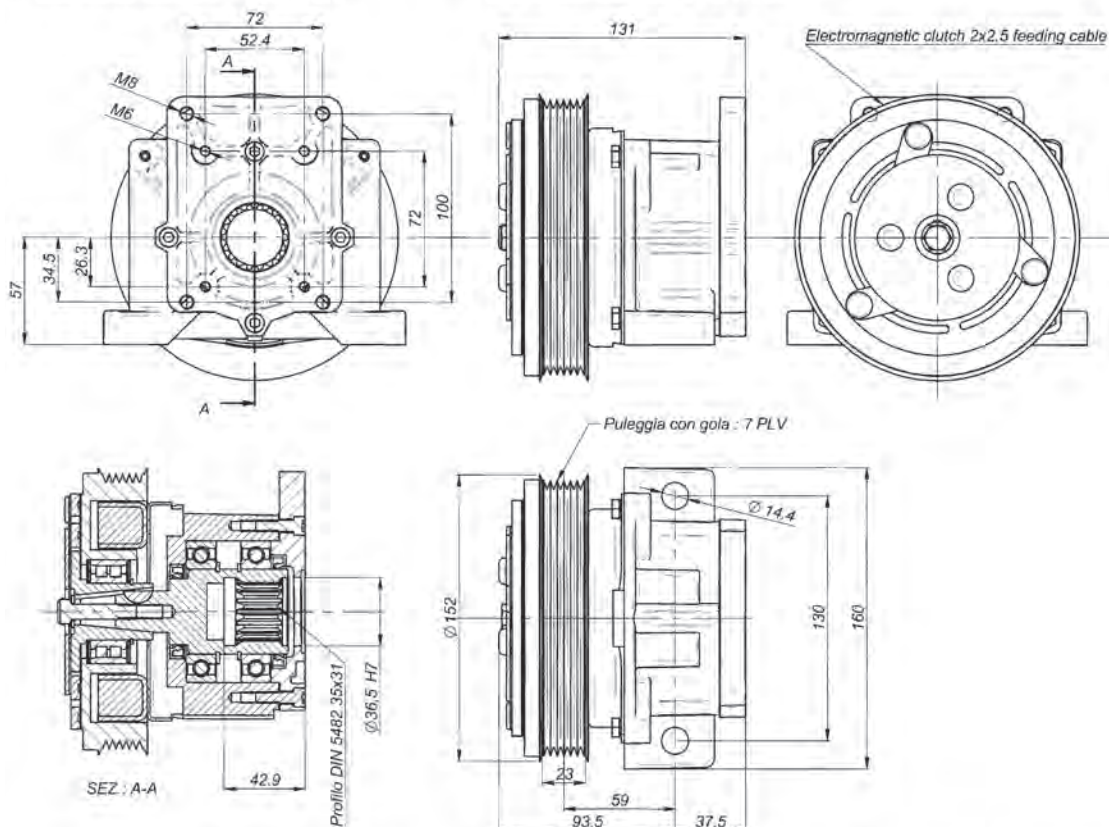
AVAILABLE ON REQUEST

10 daNm ELECTROMAGNETIC CLUTCHES

www.flowfitonline.com
TECH. DATA SHEET
EC01

SERIES: 30901-1 12 Volt

SERIES: 30903-1 24 Volt



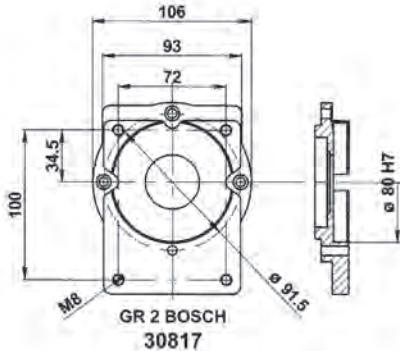
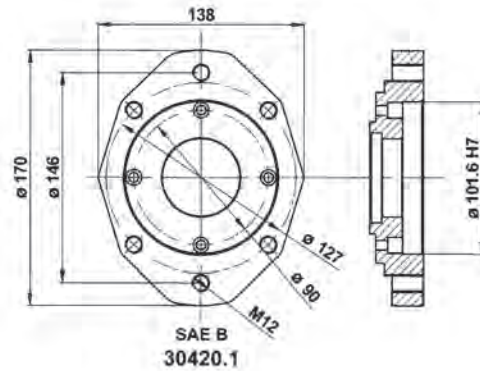
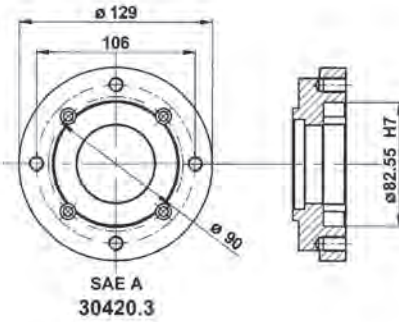
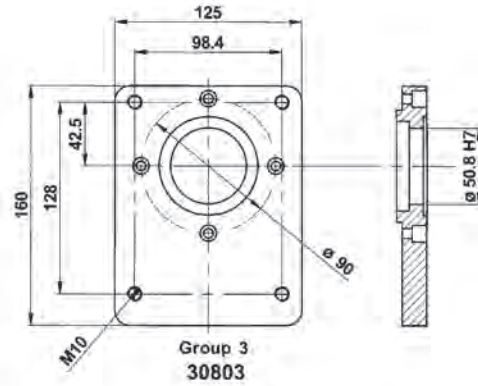
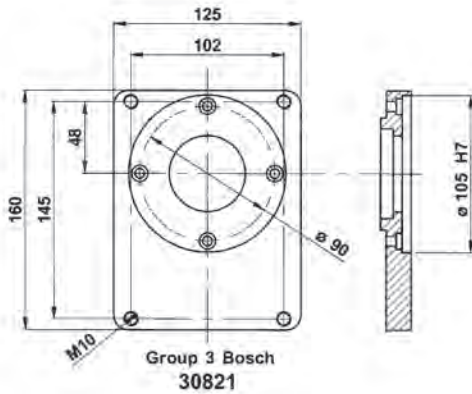
| | | | | | | |
|---------------------|----------------|-------------|-------------------------------------|--------|-----------|--------|
| Nominal torque | 7,8 daNm | | Connection time | | 25 m/sec | |
| Static torque | 12,5 daNm | | Disconnection time | | 40 m/sec | |
| Dynamic torque | 8,5 daNm | at 500 rpm | Minimum time between two connection | | 20 sec | |
| | 7,0 daNm | at 1000 rpm | | | | |
| | 4,2 daNm | at 1500 rpm | | | | |
| | 3,5 daNm | at 2000 rpm | Max speed | | 5000 rpm | |
| | 2,7 daNm | at 2500 rpm | Weight | | 5,5 Kg | |
| 2,5 daNm | at 3000 rpm | | | | | |
| Electric absorption | Resistance (Ω) | | Current (A) | | Power (W) | |
| | 20° C | 120° C | 20° C | 120° C | 20° C | 120° C |
| 12 V DC | 4,00 | 5,60 | 3,33 | 2,00 | 40,00 | 24,00 |
| 24 V DC | 20,00 | 28,00 | 1,26 | 0,77 | 30,30 | 18,18 |

All technical data are at 20°C / at 120 °C the performance are less 20%
All electromagnetic clutches are reversible.

| PART NO. | DESCRIPTION | NETT. PRICE | |
|-------------------|---|-------------|----------|
| | | £ STERLING | € EUROS |
| 29 - 30901 - 1/7 | Electromagnetic clutch 12V. 10 daNm 7 PLY RIBBED for European Group 1 and 2 Pumps | £226.24 | € 305.41 |
| 29 - 30903 - 1 | Electromagnetic clutch 24V. 10 daNm for European Group 1 and 2 Pumps | £226.24 | € 305.41 |
| 29 - 30903 - 1/SA | Electromagnetic clutch 24V. 10 daNm for SAE A 2 BOLT | £226.24 | € 305.41 |
| 29 - 30909 - 1 | Electromagnetic clutch 12V. 10 daNm for European Group 3 Pumps | £226.24 | € 305.41 |
| 29 - 30911 - 1 | Electromagnetic clutch 24V. 10 daNm for European Group 3 Pumps | £226.24 | € 305.41 |

If the part number needed is not listed please ask the Flowfit Sales Team

FLANGES FOR 10 daNm ELECTROMAGNETIC CLUTCHES



| Electric absorption | CLUTCHES COMPLETE WITH ABOVE FLANGES | | | | |
|---------------------|--------------------------------------|---------|-------------|------------|------------|
| | Gr.2 BOSCH | Gr.3 | Gr. 3 BOSCH | SAE A | SAE B |
| 12 Volt | 30917-1 | 30909-1 | 30925-1 | 30901-1/SA | 30901-1/SB |
| 24 Volt | 30919-1 | 30911-1 | 30927-1 | 30903-1/SA | 30903-1/SB |

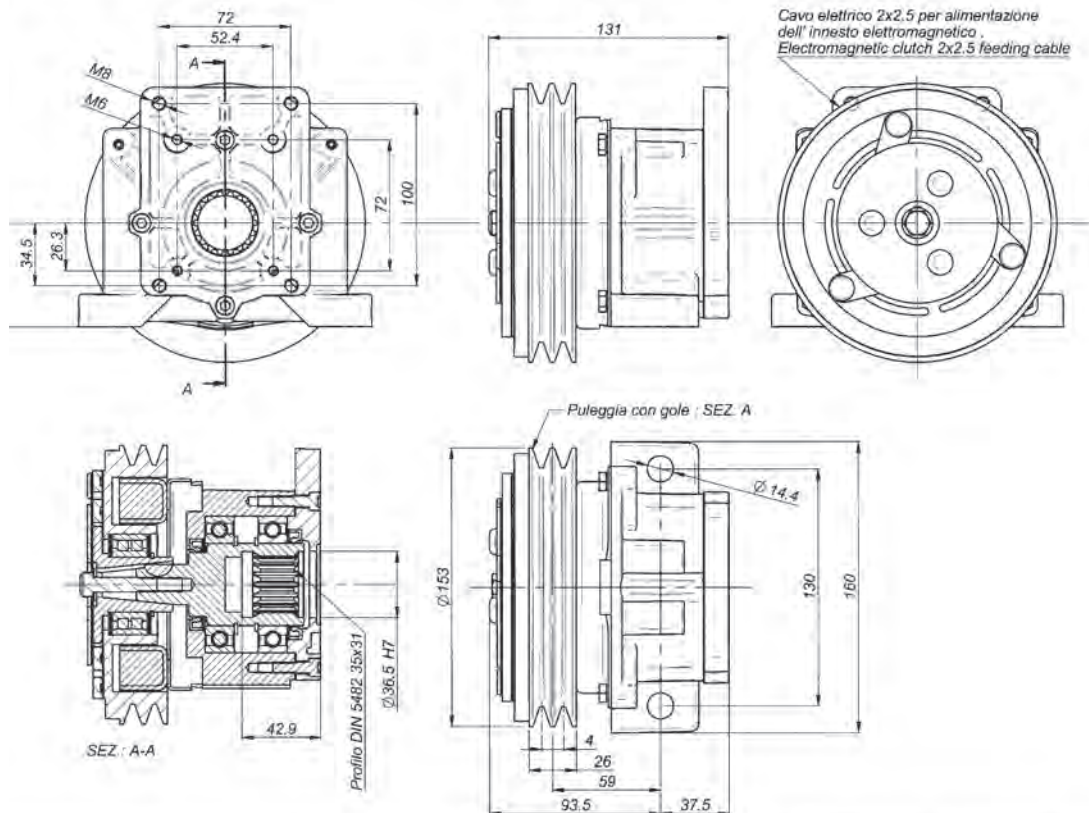
FLANGES AVAILABLE UPON REQUEST.

14 daNm ELECTROMAGNETIC CLUTCHES

www.flowfitonline.com
TECH. DATA SHEET
EC01

SERIE: 30929 12 Volt

SERIE: 30930 24 Volt



| | | | | | | |
|---------------------|----------------|-------------|-------------------------------------|----------|-----------|--------|
| Nominal torque | 11,8 daNm | | Connection time | 25 m/sec | | |
| Static torque | 14,0 daNm | | Disconnection time | 40 m/sec | | |
| Dynamic torque | 12,5 daNm | at 500 rpm | Minimum time between two connection | 20 sec | | |
| | 11,0 daNm | at 1000 rpm | | | | |
| | 8,2 daNm | at 1500 rpm | Max speed | 5000 rpm | | |
| | 7,5 daNm | at 2000 rpm | | | | |
| | 6,7 daNm | at 2500 rpm | | | | |
| | 6,5 daNm | at 3000 rpm | Weight | 5,5 Kg | | |
| Electric absorption | Resistance (Ω) | | Current (A) | | Power (W) | |
| | 20° C | 120° C | 20° C | 120° C | 20° C | 120° C |
| 12 V DC | 4,00 | 5,60 | 3,33 | 2,00 | 40,00 | 24,00 |
| 24 V DC | 20,00 | 28,00 | 1,26 | 0,77 | 30,30 | 18,18 |

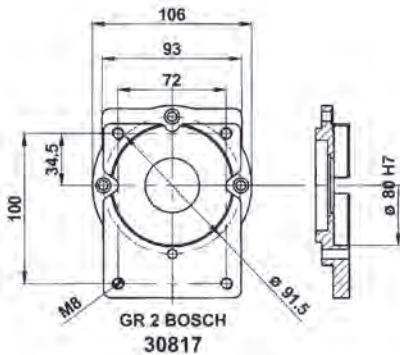
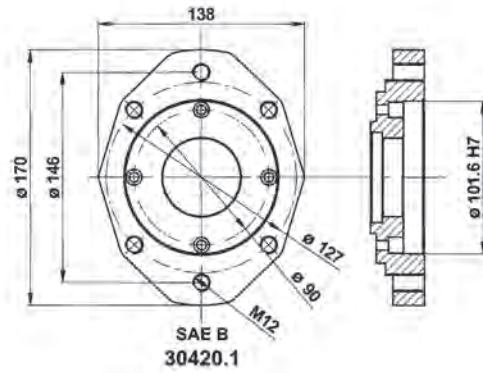
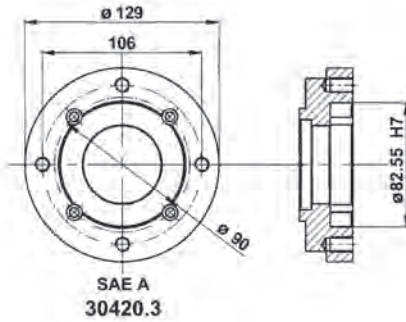
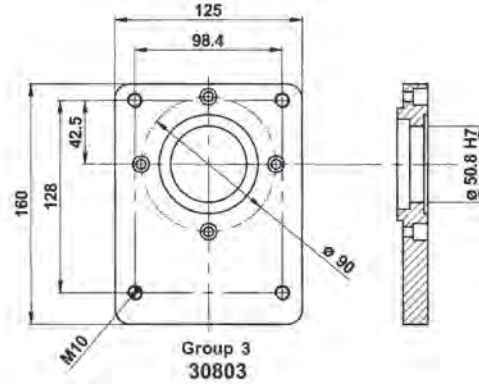
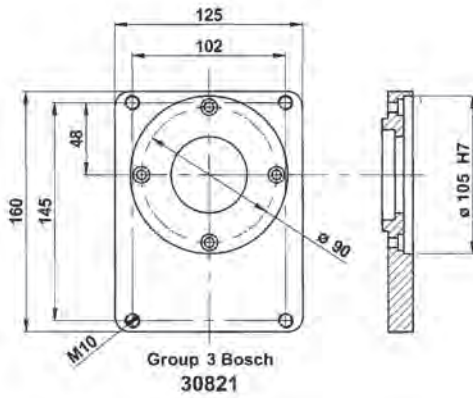
All technical data are at 20°C / at 120 °C the performance are less 20%
All electromagnetic clutches are reversible.

| PART NO. | DESCRIPTION | NETT. PRICE | |
|---------------|--|-------------|----------|
| | | £ STERLING | € EUROS |
| 29 - 30929 | Electromagnetic clutch 12V. 14 daNm for European Group 1 and 2 Pumps | £253.62 | € 342.38 |
| 29 - 30929/SA | Electromagnetic clutch 12V. 14 daNm for SAE A 2 BOLT | £253.62 | € 342.38 |
| 29 - 30929/SB | Electromagnetic clutch 12V. 14 daNm for SAE B 2 BOLT | £253.62 | € 342.38 |
| 29 - 30930 | Electromagnetic clutch 24V. 14 daNm for European Group 1 and 2 Pumps | £253.62 | € 342.38 |
| 29 - 30931 | Electromagnetic clutch 12V. 14 daNm for European Group 3 Pumps | £253.62 | € 342.38 |
| 29 - 30932 | Electromagnetic clutch 24V. 14 daNm for European Group 3 Pumps | £253.62 | € 342.38 |

If the part number needed is not listed please ask the Flowfit Sales Team

FLANGES FOR 14 daNm ELECTROMAGNETIC CLUTCHES

www.flowfitonline.com
TECH. DATA SHEET
EC01



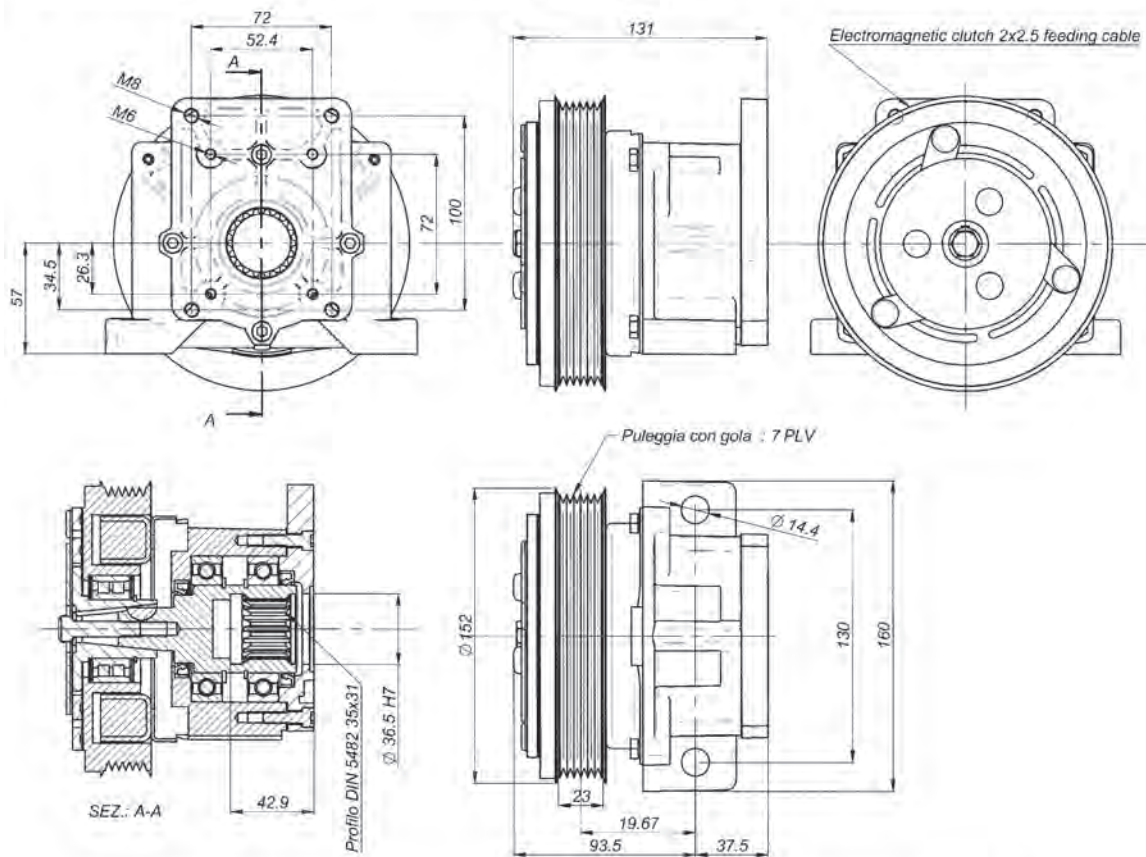
| Electric absorption | CLUTCHES COMPLETE WITH ABOVE FLANGES | | | | |
|---------------------|--------------------------------------|-------|-------------|----------|----------|
| | Gr.2 BOSCH | Gr.3 | Gr. 3 BOSCH | SAE A | SAE B |
| 12 Volt | 30929/2B | 30931 | 30931/3B | 30929/SA | 30929/SB |
| 24 Volt | 30930/2B | 30932 | 30932/3B | 30930/SA | 30930/SB |

14 daNm ELECTROMAGNETIC CLUTCHES

www.flowfitonline.com
TECH. DATA SHEET
EC01

SERIES: 30929-1 12 Volt

SERIES: 30930-1 24 Volt



| | | | | |
|----------------|-------------|--------------------|-------------------------------------|----------|
| Nominal torque | 11,8 daNm | Connection time | 25 m/sec | |
| Static torque | 14,0 daNm | Disconnection time | 40 m/sec | |
| Dynamic torque | 12,5 daNm | at 500 rpm | Minimum time between two connection | |
| | 11,0 daNm | at 1000 rpm | | |
| | 8,2 daNm | at 1500 rpm | | |
| | 7,5 daNm | at 2000 rpm | Max speed | 5000 rpm |
| | 6,7 daNm | at 2500 rpm | Weight | 5,5 Kg |
| 6,5 daNm | at 3000 rpm | | | |

| Electric absorption | Resistance (Ω) | | Current (A) | | Power (W) | |
|---------------------|----------------|--------|-------------|--------|-----------|--------|
| | 20° C | 120° C | 20° C | 120° C | 20° C | 120° C |
| 12 V DC | 4,00 | 5,60 | 3,33 | 2,00 | 40,00 | 24,00 |
| 24 V DC | 20,00 | 28,00 | 1,26 | 0,77 | 30,30 | 18,18 |

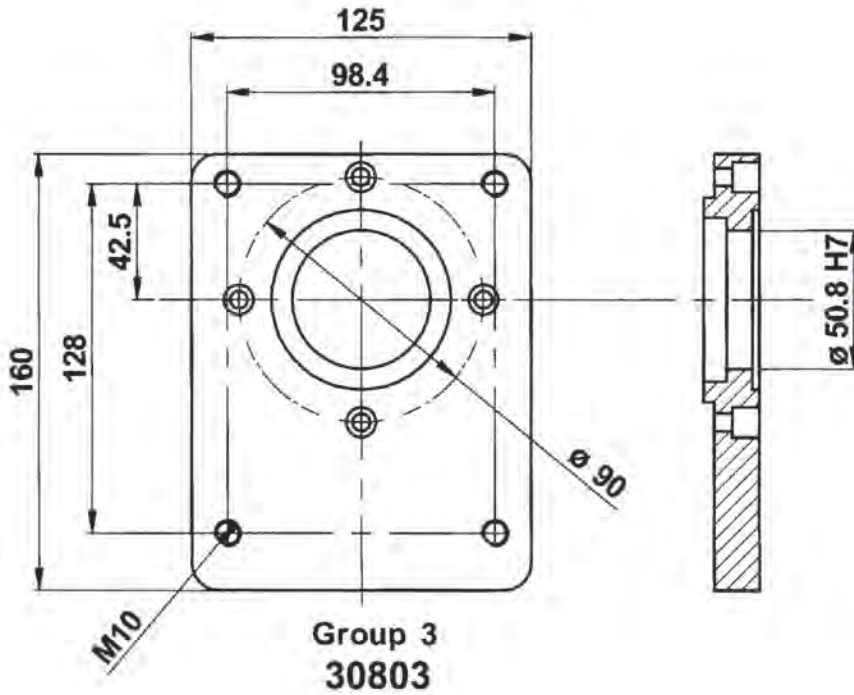
All technical data are at 20°C / at 120 °C the performance are less 20%
All electromagneteic clutches are reversible.

| PART NO. | DESCRIPTION | NETT. PRICE | |
|----------------|--|-------------|----------|
| | | £ STERLING | € EUROS |
| 29 - 30930 - 1 | Electromagnetic clutch 24V. 14 daNm for European Group 1 and 2 Pumps | £253.62 | € 342.38 |
| 29 - 30931 - 1 | Electromagnetic clutch 12V. 14 daNm for European Group 3 Pumps | £253.62 | € 342.38 |
| 29 - 30932 - 1 | Electromagnetic clutch 24V. 14 daNm for European Group 3 Pumps | £253.62 | € 342.38 |

If the part number needed is not listed please ask the Flowfit Sales Team

GROUP 3 FLANGE FOR 14 daNm ELECTROMAGNETIC CLUTCH

www.flowfitonline.com
TECH. DATA SHEET
EC01



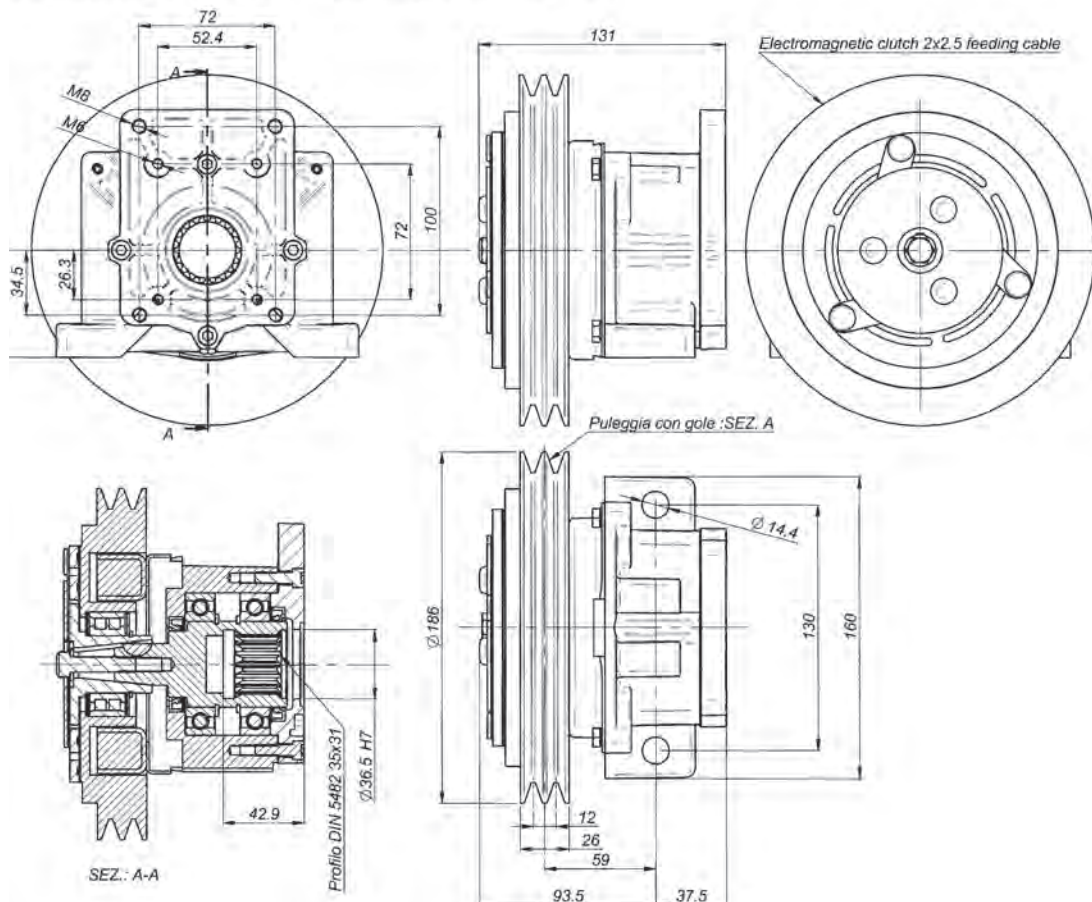
| ELECTRIC ABSORPTION | CLUTCHES COMPLETE WITH ABOVE FLANGES | |
|---------------------|--------------------------------------|-------|
| | GROUP3 | |
| 12 Volt | | 30931 |
| 24 Volt | | 30932 |



21 daNm ELECTROMAGNETIC CLUTCHES

www.flowfitonline.com
TECH. DATA SHEET
EC01

SERIES: 30990 12 Volt SERIES: 30991 24 Volt



| | | | | | | |
|---------------------|------------------|-------------|-------------------------------------|----------|-------------|--------|
| Nominal torque | 16,0 daNm | | Connection time | 25 m/sec | | |
| Static torque | 21,0 daNm | | Disconnection time | 40 m/sec | | |
| Dynamic torque | 14,5 daNm | at 500 rpm | Minimum time between two connection | 20 sec | | |
| | 12,0 daNm | at 1000 rpm | | | | |
| | 9,5 daNm | at 1500 rpm | | | | |
| | 8,8 daNm | at 2000 rpm | Max speed | 5000 rpm | | |
| | 8,0 daNm | at 2500 rpm | Weight | 8 Kg | | |
| 7,8 daNm | at 3000 rpm | | | | | |
| Electric absorption | Resistance (Ω) | | Current (A) | | Power (W) | |
| | 20° C | 120° C | 20° C | 120° C | 20° C | 120° C |
| 12 V DC | 2,96 | 3,97 | 4,05 | 2,71 | 48,70 | 32,50 |
| 24 V DC | 12,30 | 16,60 | 1,95 | 1,31 | 47,00 | 30,70 |

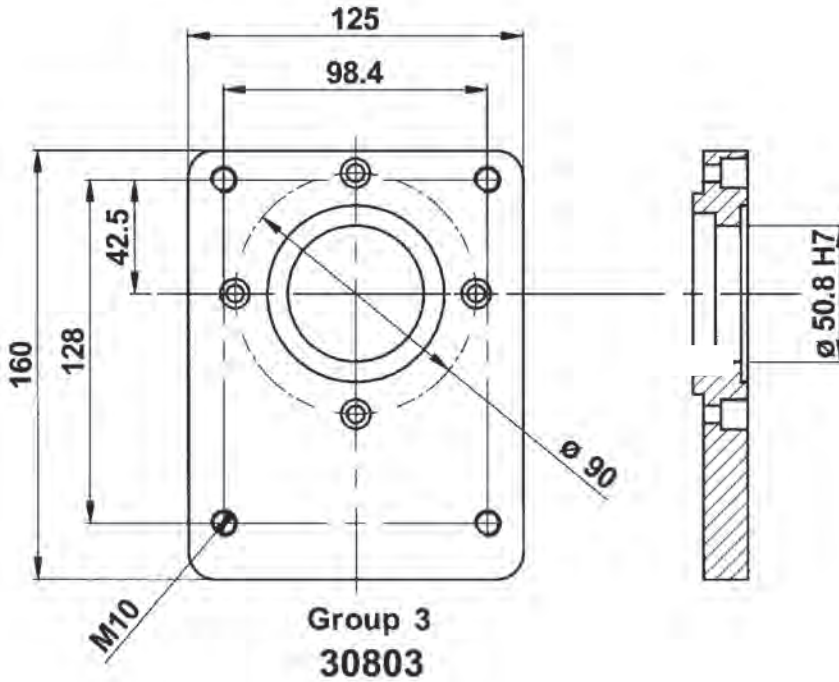
All technical data are at 20°C / at 120 °C the performance are less 20%
All electromagnetice clutches are reversible.

| PART NO. | DESCRIPTION | NETT. PRICE | |
|------------|--|-------------|----------|
| | | £ STERLING | € EUROS |
| 29 - 30990 | Electromagnetic clutch 12V. 21 daNm for European Group 2 Pumps | £451.28 | € 609.22 |
| 29 - 30991 | Electromagnetic clutch 24V. 21 daNm for European Group 2 Pumps | £451.28 | € 609.22 |
| 29 - 30992 | Electromagnetic clutch 12V. 21 daNm for European Group 3 Pumps | £451.28 | € 609.22 |
| 29 - 30993 | Electromagnetic clutch 24V. 21 daNm for European Group 3 Pumps | £451.28 | € 609.22 |

If the part number needed is not listed please ask the Flowfit Sales Team

GROUP 3 FLANGE FOR 21 daNm ELECTROMAGNETIC CLUTCH

www.flowfitonline.com
TECH. DATA SHEET
EC01



Fitted to 29-30992/29-30993

| Electric absorption | CLUTCHES COMPLETE WITH ABOVE FLANGES | | | | |
|---------------------|--------------------------------------|-------|-------------|----------|----------|
| | Gr.2 BOSCH | Gr.3 | Gr. 3 BOSCH | SAE A | SAE B |
| 12 Volt | 30990/2B | 30992 | 30992/3B | 30990/SA | 30990/SB |
| 24 Volt | 30991/2B | 30993 | 30993/3B | 30991/SA | 30991/SB |

Various Flanges Available upon request

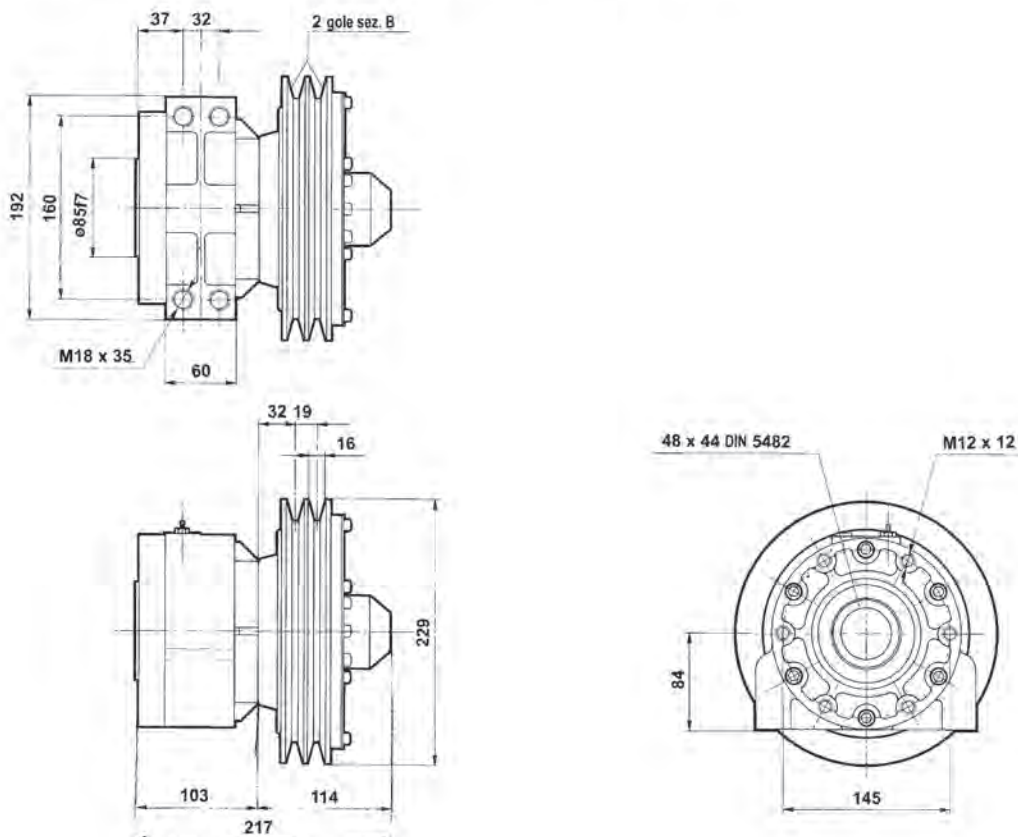


50 daNm ELECTROMAGNETIC CLUTCHES

www.flowfitonline.com
TECH. DATA SHEET
EC01

SERIES: 30940/SF 12 Volt

SERIES: 30941/SF 24 Volt

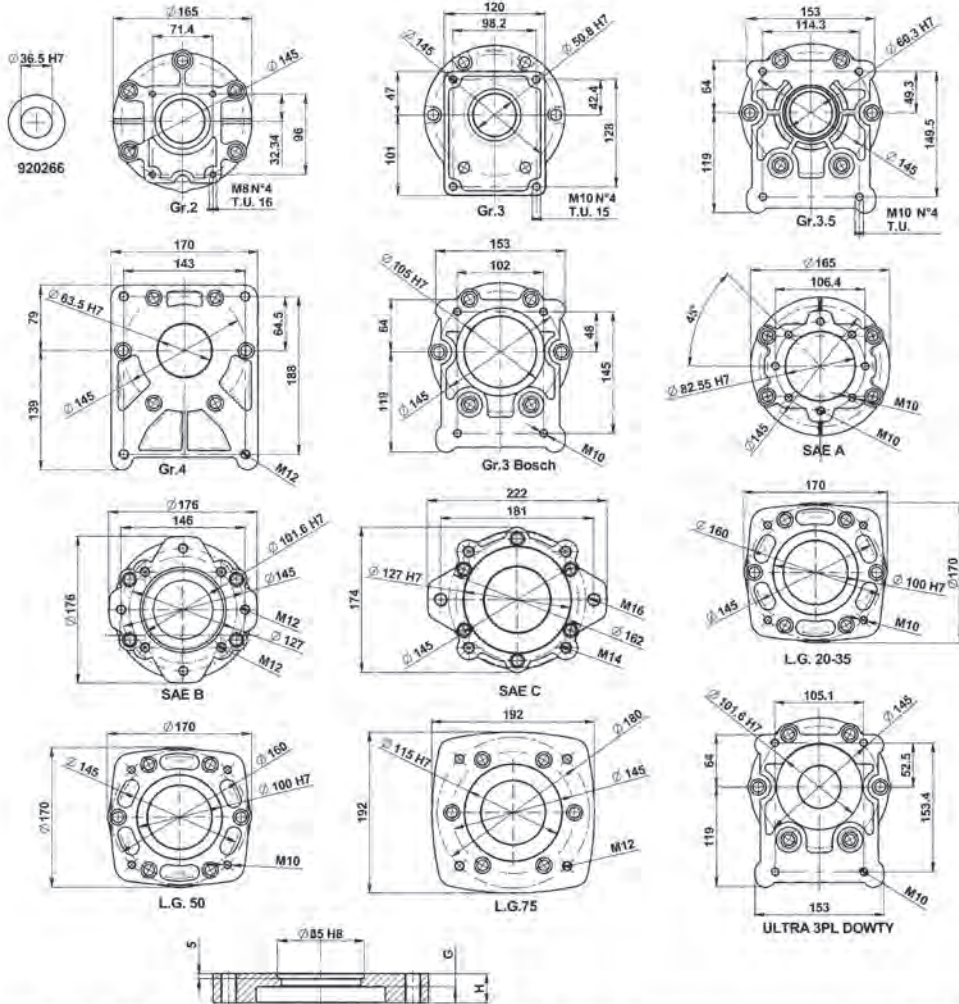


| | | | | | | |
|---|----------------|-------------|-------------------------------------|----------|-----------|--------|
| Nominal torque | 38,0 daNm | | Connection time | 25 m/sec | | |
| Static torque | 50,0 daNm | | Disconnection time | 40 m/sec | | |
| Dynamic torque | 33,0 daNm | at 500 rpm | Minimum time between two connection | 20 sec | | |
| | 31,5 daNm | at 1000 rpm | | | | |
| | 28,7 daNm | at 1500 rpm | | | | |
| | 28,0 daNm | at 2000 rpm | Max speed | 5000 rpm | | |
| | 27,2 daNm | at 2500 rpm | Weight | 20 Kg | | |
| 27,0 daNm | at 3000 rpm | | | | | |
| Electric absorption | Resistance (Ω) | | Current (A) | | Power (W) | |
| | 20° C | 120° C | 20° C | 120° C | 20° C | 120° C |
| 12 V DC | 1,81 | 2,60 | 6,60 | 4,62 | 80,00 | 56,00 |
| 24 V DC | 7,40 | 10,50 | 3,25 | 2,30 | 78,00 | 54,60 |
| All technical data are at 20°C / at 120 °C the performance are less 20% | | | | | | |
| All electromagnetetic clutches are reversible. | | | | | | |

| PART NO. | DESCRIPTION | NETT. PRICE | |
|------------|--|-------------|------------|
| | | £ STERLING | € EUROS |
| 29 - 30940 | Electromagnetic clutch 12V. 30 daNm for European Group 2 Pumps | £1,131.17 | € 1,527.08 |
| 29 - 30941 | Electromagnetic clutch 24V. 30 daNm for European Group 2 Pumps | £1,131.17 | € 1,527.08 |
| 29 - 30942 | Electromagnetic clutch 12V. 30 daNm for European Group 3 Pumps | £1,131.17 | € 1,527.08 |

If the part number needed is not listed please ask the Flowfit Sales Team

FLANGES FOR 21 daNm ELECTROMAGNETIC CLUTCHES



| FLANGE TYPE | Gr.2 | Gr.3 | Gr.3.5 | Gr.4 | Gr.3 BOSCH | SAE A | SAE B | SAE C | L.G. 20-35 | L.G. 50 | L.G. 75 | ULTRA 3PL DOWTY |
|-----------------|-------|-------|--------|-------|------------|-------|-------|-------|------------|---------|---------|-----------------|
| H | 21 | 23 | 24 | 23 | 19 | 25 | 25 | 28 | 34 | 41 | 41 | 24.5 |
| G | 17 | 21 | 11.5 | 16 | 12 | 21 | 12 | 16 | 25 | 32.5 | 33 | 10.5 |
| FLANGE PART NO. | 30400 | 30401 | 30402 | 30403 | 30417 | 30420 | 30422 | 30432 | 30461 | 30462 | 30463 | 30471 |

| PART NO. | DESCRIPTION | NETT. PRICE | |
|------------|---|-------------|---------|
| | | £ STERLING | € EUROS |
| 28 - 30400 | European Group 2 Flange C/W +socket capscrews | £64.22 | € 86.70 |
| 28 - 30401 | European Group 3 Flange C/W +socket capscrews | £59.94 | € 80.92 |
| 28 - 30402 | European Group 3.5 Flange C/W +socket capscrews | £57.83 | € 78.07 |
| 28 - 30403 | European Group 4 Flange C/W +socket capscrews | £56.16 | € 75.82 |
| 28 - 30417 | Bosch Group 3 Flange C/W +socket capscrews | £73.51 | € 99.24 |
| 28 - 30420 | SAE A 2 BOLT Flange C/W +socket capscrews | £57.80 | € 78.03 |
| 28 - 30421 | SAE B 2 BOLT Flange C/W +socket capscrews | £72.09 | € 97.32 |
| 28 - 30422 | SAE B 4 BOLT Flange C/W +socket capscrews | £72.09 | € 97.32 |
| 28 - 30431 | SAE C 2 BOLT Flange C/W +socket capscrews | £72.09 | € 97.32 |
| 28 - 30432 | SAE C 4 BOLT Flange C/W +socket capscrews | £72.09 | € 97.32 |

If the part number needed is not listed please ask the Flowfit Sales Team
Various flanges available upon request