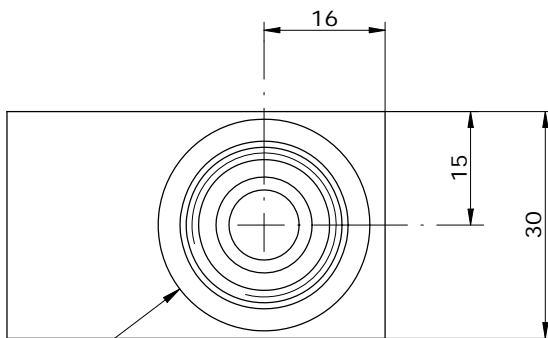
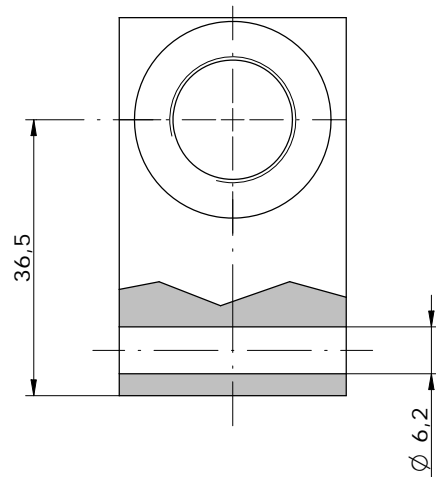
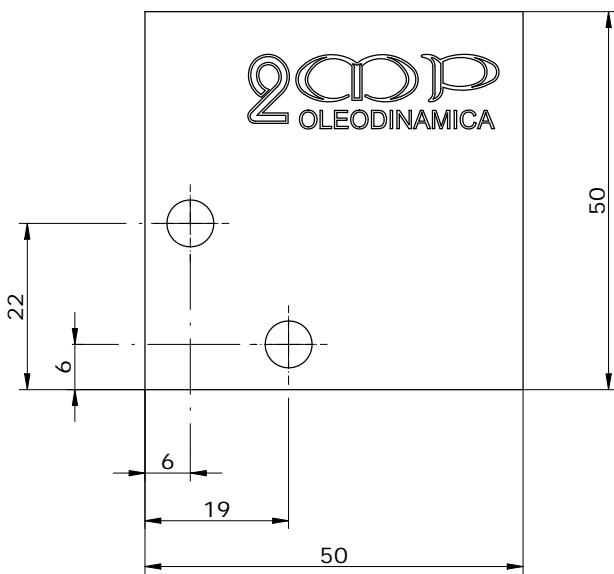
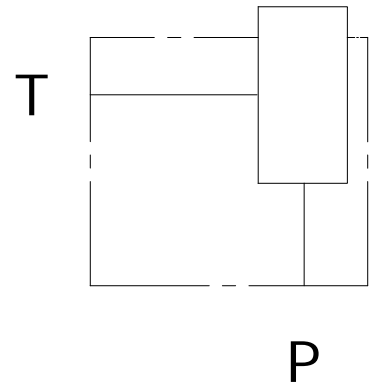


Schema idraulico
 Hydraulic diagram



C007

HS_06 - ___ - 10

S = STEEL
A = ALUMINUM

14 = BSP 1/4G
38 = BSP 3/8G