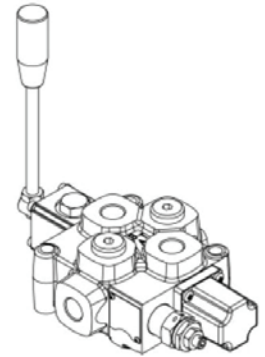
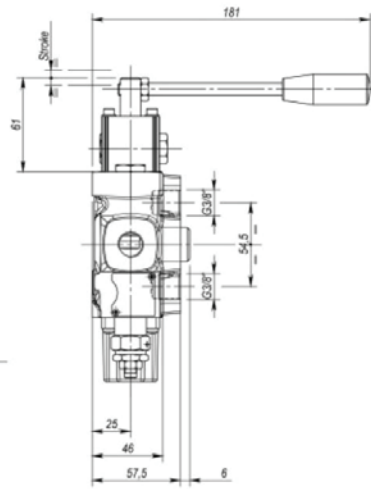
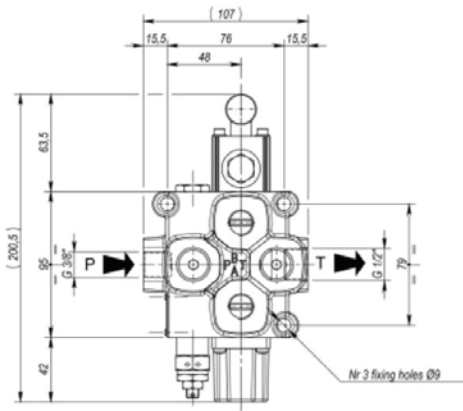


# FLOWFIT® TECHNICAL DATA SHEET



Hydraulic Symbol

