

EDH-SERIES



Shown from left to right:
EDH-3010, EDH-603, EDH-6010

EDH-SERIES DOUBLE ACTING, HOLLOW CENTER CYLINDERS

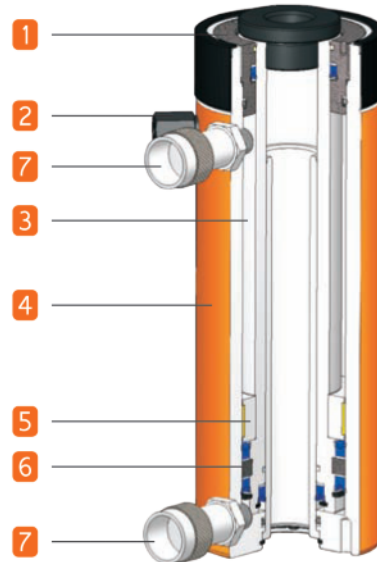
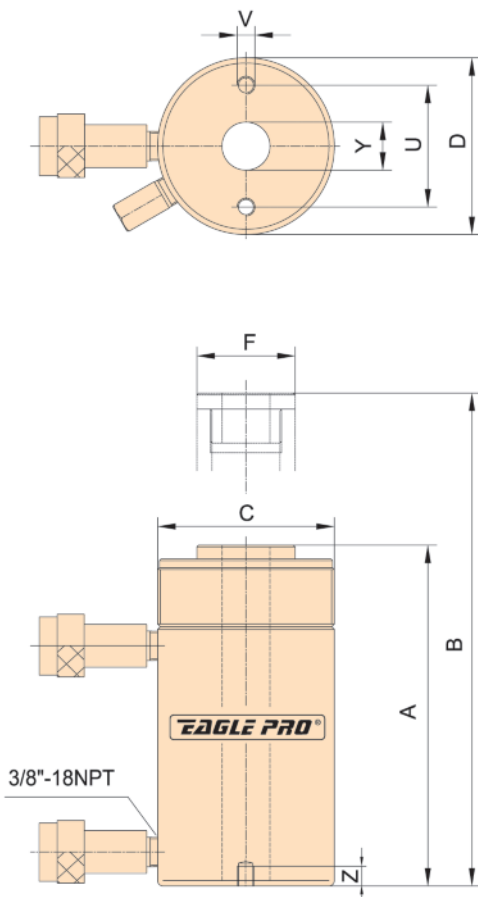
► Features

- ◆ Hollow piston design allow for both pulling and pushing actions.
- ◆ Complies with ASME B30.1. High strength steel for durability and increased safety.
- ◆ Double acting operation for fast piston retraction.
- ◆ Built-in safety valve prevents accidental over-pressurization.
- ◆ High quality EAB-201 quick couplers.
- ◆ Collar and piston threads for easy fixturing.
- ◆ Environmentally friendly painting process provides a durable corrosion resistant finish.



| Cylinder Capacity @700bar ton | Stroke in | Model | Max.Cylinder Capacity | | Cylinder Effective Area | |
|----------------------------------|--------------|-----------|-----------------------|----------------|----------------------------|----------------------------|
| | | | Advance ton | Retract ton | Advance in ² | Retract in ² |
| 30 | 7.01 | EDH-307 | 32.8 | 22.3 | 7.39 | 5.02 |
| | 10.16 | EDH-3010 | 32.8 | 22.3 | 7.39 | 5.02 |
| 60 | 3.50 | EDH-603 | 60 | 38.7 | 13.55 | 8.71 |
| | 6.54 | EDH-606 | 60 | 38.7 | 13.55 | 8.71 |
| | 10.12 | EDH-6010 | 60 | 38.7 | 13.55 | 8.71 |
| 95 | 1.50 | EDH-1001 | 93 | 60 | 20.96 | 13.50 |
| | 2.99 | EDH-1003 | 93 | 60 | 20.96 | 13.50 |
| | 6.02 | EDH-1006 | 93 | 60 | 20.96 | 13.50 |
| | 10.12 | EDH-10010 | 93 | 60 | 20.96 | 13.50 |
| 140 | 8.00 | EDH-1508 | 135.4 | 70.2 | 30.50 | 15.81 |

EDH-SERIES



1. Steel guide ring eliminates over travel, and also provides support to reduce wear from off center loads.
2. Safety valve automatic release the pressure to avoid overload.
3. Hardened and chromed piston increase durability and reduces wear.
4. All steel body with baked enamel finish for durability.
5. Industrial bearing ring provides additional support to reduce wear from off center loads.
6. Industrial seal ring assembly prevent costly leaks.
7. Standard coupler on all cylinders provided with heavy duty dust cover.

| Oil Capacity | | Collapsed Height | Extended Height | Collar thread | Outside Diameter | Piston Rod Diam. | Base Fix Holes | | | Center Hole Diameter | Weight | Model |
|-----------------|-----------------|------------------|-----------------|---------------|------------------|------------------|----------------|----------|----------------|----------------------|--------|-----------|
| Advance | Retract | A | B | C | D | F | Bolt Circle U | Thread V | Thread Depth Z | Y | lbs | |
| in ³ | in ³ | in | in | in | in | in | in | in | in | in | | |
| 51.79 | 35.20 | 12.99 | 20.00 | 4 1/2"-12 | 4.49 | 2.56 | 3.62 | 3/8"-16 | 0.61 | 1.31 | 46.2 | EDH-307 |
| 75.09 | 51.00 | 16.97 | 27.13 | 4 1/2"-12 | 4.49 | 2.56 | 3.62 | 3/8"-16 | 0.61 | 1.31 | 59.4 | EDH-3010 |
| 47.46 | 29.34 | 9.72 | 13.23 | 6 1/4"-12 | 6.26 | 3.62 | 5.12 | 1/2"-13 | 0.55 | 2.12 | 61.6 | EDH-603 |
| 88.51 | 54.35 | 12.72 | 19.25 | 6 1/4"-12 | 6.26 | 3.62 | 5.12 | 1/2"-13 | 0.55 | 2.12 | 77 | EDH-606 |
| 137.01 | 84.67 | 17.24 | 27.36 | 6 1/4"-12 | 6.26 | 3.62 | 5.12 | 1/2"-13 | 0.55 | 2.12 | 99 | EDH-6010 |
| 31.35 | 20.19 | 6.50 | 7.99 | - | 8.35 | 5.00 | 7.01 | 5/8"-11 | 0.75 | 3.12 | 72.6 | EDH-1001 |
| 62.65 | 40.38 | 10.00 | 12.99 | 8 3/8"-12 | 8.35 | 5.00 | 7.01 | 5/8"-11 | 0.75 | 3.12 | 134.2 | EDH-1003 |
| 126.21 | 81.31 | 13.46 | 19.49 | 8 3/8"-12 | 8.35 | 5.00 | 7.01 | 5/8"-11 | 0.75 | 3.12 | 173.8 | EDH-1006 |
| 211.98 | 136.58 | 18.11 | 28.23 | 8 3/8"-12 | 8.35 | 5.00 | 7.01 | 5/8"-11 | 0.75 | 3.12 | 235.4 | EDH-10010 |
| 243.70 | 126.51 | 13.74 | 21.73 | - | 9.72 | 6.00 | - | - | - | 3.12 | 244.2 | EDH-1508 |