

VBSO Counterbalance Valves



型号说明 Ordering Code

VBSO	SE	6	G	/
------	----	---	---	---

单向=SE
双向=DE

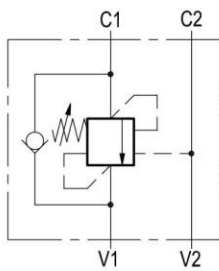
6 口径Size =06
10 口径Size =10
15 口径Size =15
20 口径Size =20

Lnch size=无Blank
Metric size =2

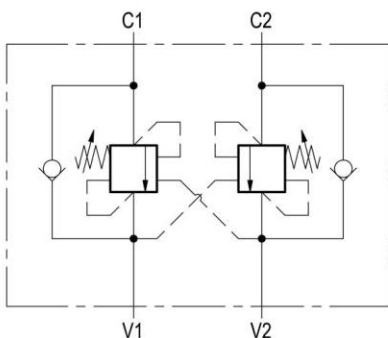
Subplate mounting =G
(一个口) Thread mounting=P1
(二个口) Thread mounting=P2
Modular mounting =M

机能符号 Symbols

单向型(SE)



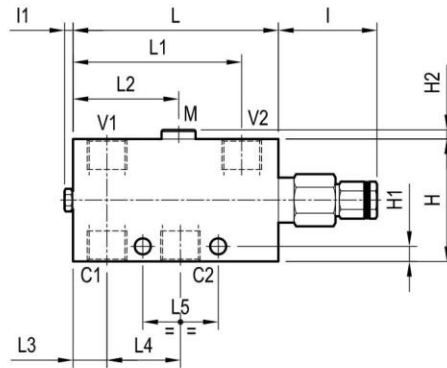
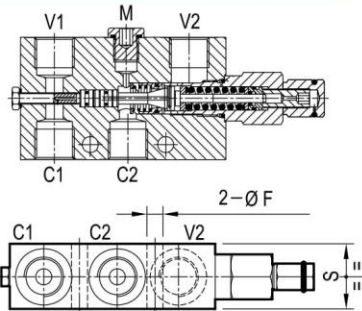
双向型(DE)



技术参数 Specification

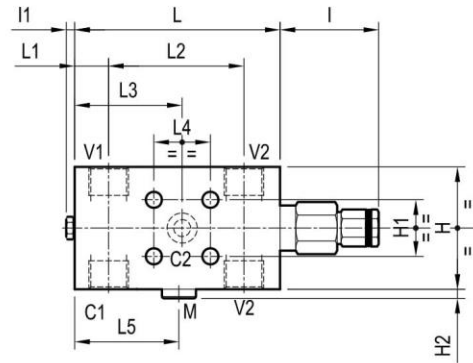
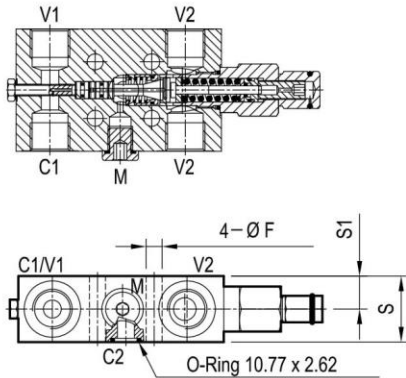
型号 Model	最大压力 Mpa Working pressure	最大流量 L/min Max. flow rate	面积比 Pilot Ratio
VBSO-*--6*	35	30	4.2:1
VBSO-*--10*		40	4.2:1
VBSO-*--15*	32	60	4.2:1
VBSO-*--20*		80	4.2:1

外形尺寸 Dimensions(mm)



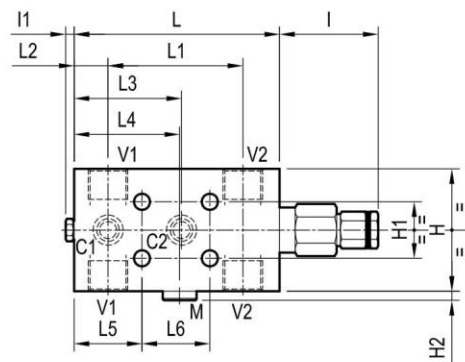
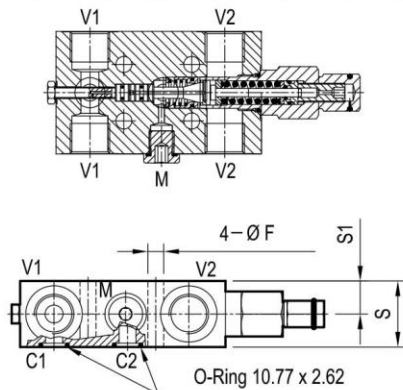
VBSO-SE-*G

MODEL	S	L5	L4	L3	L2	L1	L	I1	I	H2	H1	H	F	Y	Weight (kg)
VBSO-SE-6G	30	40	39.3	18	—	88.3	109	4.5	52.5	5	8	55	8.5	G1/4或M14*1.5	1.33
VBSO-SE-10G	30	40	39.3	18	—	88.3	109	4.5	52.5	5	8	55	8.5	G3/8或M18*1.5	1.33
VBSO-SE-15G	35	40	39.3	18	55.3	89.8	109	4.5	52.5	5	8	65	8.5	G1/2或M22*1.5	1.85



VBSO-SE-*PI

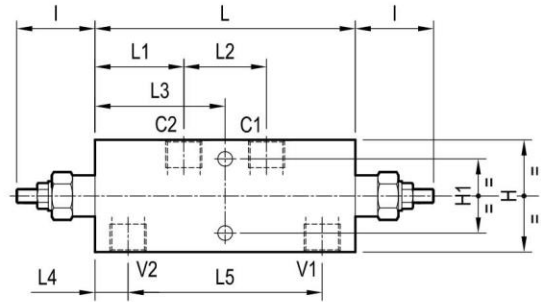
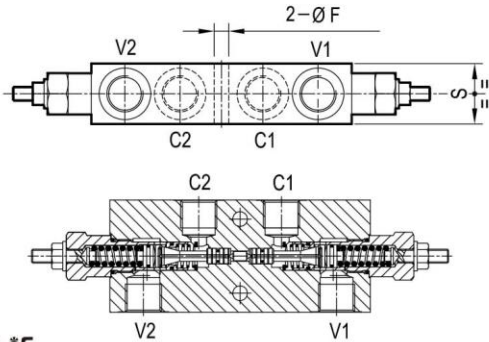
MODEL	S1	S	L5	L4	L3	L2	L1	L	I1	I	H2	H1	H	F	Y	Weight (kg)
VBSO-SE-6P1	15	30	51.7	30	51.7	70.3	20.7	109	4.5	52.5	5	30	55	8.5	G1/4或M14*1.5	1.29
VBSO-SE-10P1	15	29.5	51.7	30	51.7	70.3	20.7	109	4.5	52.5	5	30	55	8.5	G3/8或M18*1.5	1.29
VBSO-SE-15P1	17.5	34.5	53.7	30	52	70.3	19.2	109	4.5	52.5	5	30	65	8.5	G1/2或M22*1.5	1.81



VBSO-SE-*P2

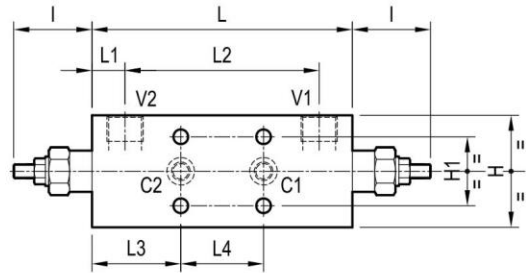
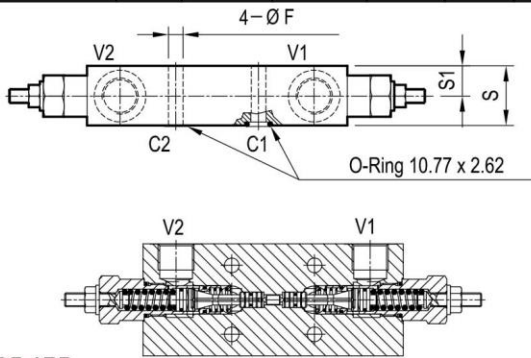
MODEL	S1	S	L6	L5	L4	L3	L2	L1	L	I1	I	H2	H1	H	F	Y	Weight (kg)
VBSO-SE-6P2	15	30	36	37	51.7	51.7	20.7	70.3	109	4.5	53	5	30	55	8.5	G1/4或M14*1.5	1.29
VBSO-SE-10P2	15	29.5	36	37	51.7	51.7	20.7	70.3	109	4.5	52.5	5	30	55	8.5	G3/8或M18*1.5	1.29
VBSO-SE-15P2	17.5	34.5	36	37	53	52	19.5	71.5	109	4.5	52.5	5	30	65	8.5	G1/2或M22*1.5	1.81

外形尺寸 Dimensions(mm)



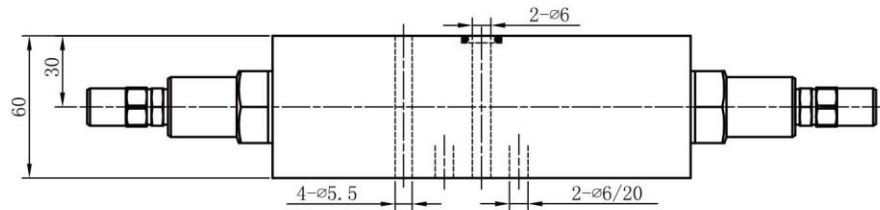
VBSO-DE-*G

MODEL	S	L5	L4	L3	L2	L1	L	I	H1	H	F	Y	Weight (kg)
VBSO-DE-6G	30	109.6	20.7	75.5	47.6	51.7	151	45.5	38	55	8.5	G1/4或M14*1.5	2.5
VBSO-DE-10G	30	109.6	20.7	75.5	47.6	51.7	151	45.5	38	55	8.5	G3/8或M18*1.5	2.5
VBSO-DE-15G	35	112.6	19.2	75.5	47.6	51.7	151	45.5	43	65	8.5	G1/2或M22*1.5	2.9



VBSO-DE-*P2

MODEL	S1	S	L4	L3	L2	L1	L	I	H1	H	F	Y	Weight (kg)
VBSO-DE-6P2	15	29.5	48	51.5	110	20.7	151	45.5	40	55	8.5	G1/4或M14*1.5	1.76
VBSO-DE-10P2	15	29.5	48	51.5	110	20.7	151	45.5	40	55	8.5	G3/8或M18*1.5	1.76
VBSO-DE-15P2	18	34.5	48	51.5	113	19.2	151	45.5	40	65	8.5	G1/2或M22*1.5	2.3



VBSO-DE-6M

