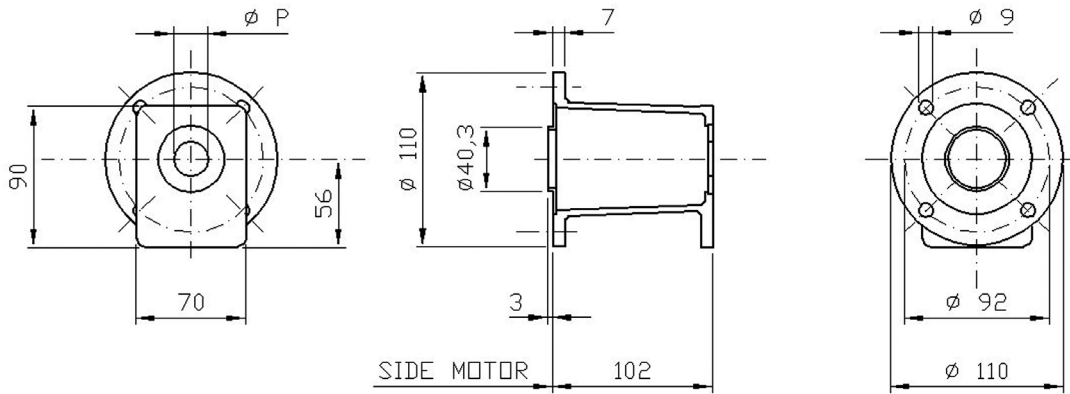


# BHE - Bell-housings for petrol engine

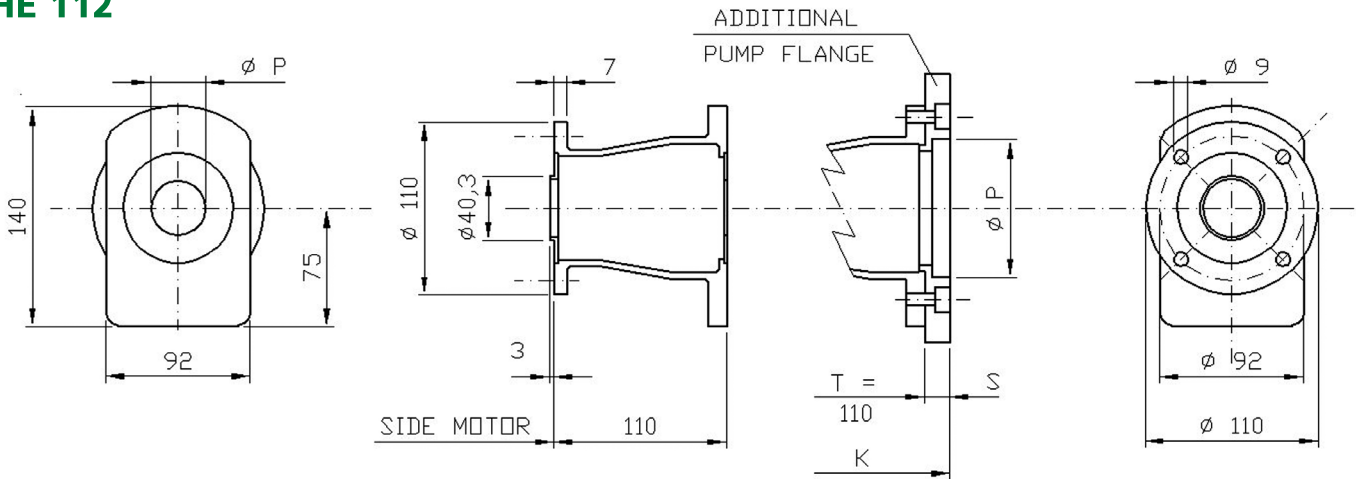
## BHE 111



BELL-HOUSING			PUMP FACE MACHINING							HEIGHT		ELASTIC COUPLING			
CODE	PUMP SIDE ADAPTOR RING	PUMP CODE	PUMP HOLE TYPE	NO HOLES	L	M	N	O	P	T	MOTOR HALF	SPIDER	PUMP HALF	MAX TORQUE Nm	
BHE111C/01	AR1/01	05M	RECTANGULAR FOR GEAR PUMPS	2	-	66	25,6	M6	22	102	HC1***-050	ER100	HC105A	11,5	
BHE111C/01	AR1/01	05T		2	-	66	25,6	M6	22	102			HC105B		
BHE111C/02	AR1/02	1PM		4	52,4	72	26,2	M6	25,4	102			HC101A		
BHE111C/03	AR1/03	1MM		4	56	73	24,5	M6	30	102			HC101B		
BHE111/16	-	1ZB		2	40	40	10,3	M8	32	102			HC101D		

\*\*\* Machining code see tab 02.2 pag 20

## BHE 112

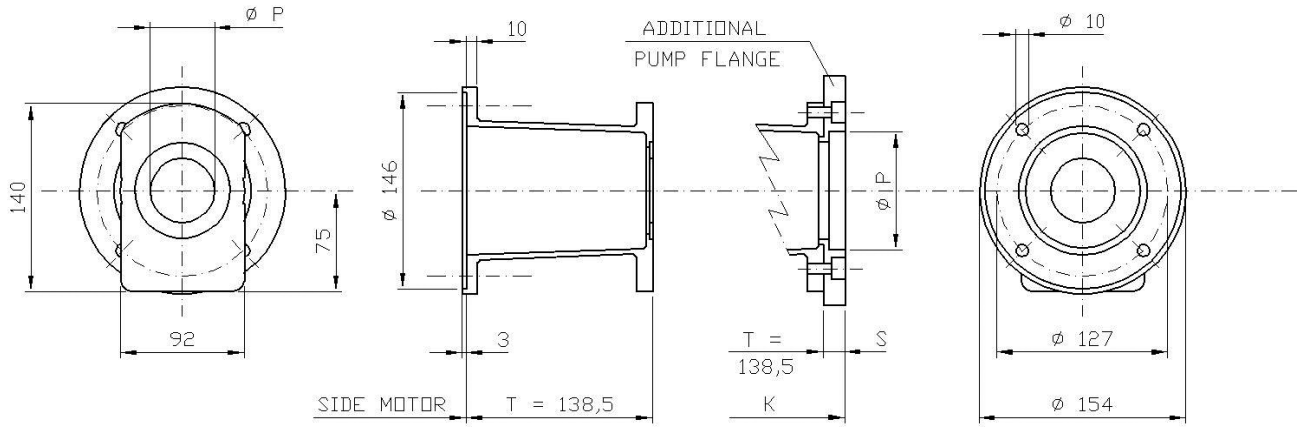


BELL-HOUSING			PUMP	PUMP FACE MACHINING							HEIGHT			ELASTIC COUPLING					
CODE	ADDITIONAL PUMP FLANGE	PUMP SIDE ADAPTOR RING	CODE	PUMP FACE MACHINING	N. HOLES	L	M	N	O	P	S	T	K	MOTOR HALF	SPIDER	PUMP HALF	MAX TORQUE Nm		
BHE112C/04	-	AR3/04	02M-02C	RECTANGULAR FOR GEAR PUMPS	4	71,5	96	32,5	M8	36,5	-	110	-	HC3***-048	ER300	HC302A-B	115		
BHE112/17	-	-	2ZF		4	72	100	34,5	M8	80	-	110	-	HC3***-048	ER300	HC302D	115		
BHE112/17	FR10C/05	AR3/06	03M		4	98,5	128	43	M8	50,8	16	110	126			HC3***-048		ER300	HC303A
BHE112/17	FR10C/06	AR3/06	03C		4	98,5	128	42	M10	50,8	16	110	126			HC3***-048		ER300	HC3***-048
BHE112/17	FR10C/07	AR3/06	03T		4	98,5	137	45	M10	50,8	16	110	126	HC3***-048	ER300	HC3***-048			
BHE112/080A	-	-	080A	FOR SAE/ISO STANDARDS	2	100	-	-	M10	80	-	110	-	HC3***-048	ER300	HC3***-048	115		
BHE112/080B	-	-	080B		2	110	-	-	M10	80	-	110	-						
BHE112/080E	-	-	080E		4	100	-	-	M8	80	-	110	-						
BHE112/082A	-	-	082A		2	106,4	-	-	M10	82,55	-	110	-						

\*\*\* Machining code see tab 02.2 pag 20

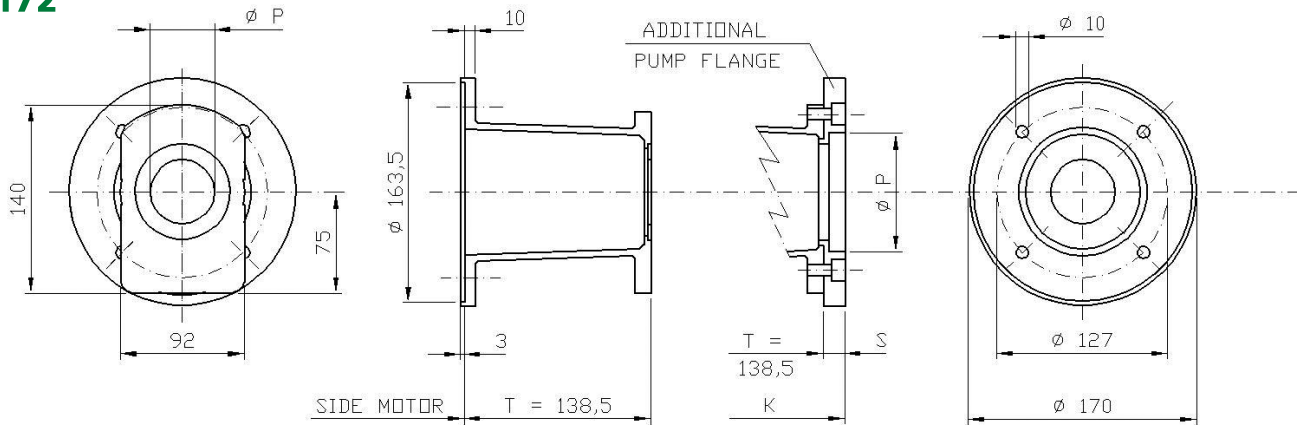
# BHE2 - Bell-housings for petrol engine

## BHE 152



BELL-HOUSING			PUMP CODE	PUMP HOLE TYPE	PUMP FACE MACHINING									HEIGHT			ELASTIC COUPLING			MAX TORQUE Nm
CODE	ADDITIONAL PUMP FLANGE	ADAPTOR			N. HOLES	L	M	N	O	P	S	T	K	MOTOR HALF	SPIDER	PUMP HALF				
BHE152C/02	-	AR3/02	1PM	RECTANGULAR FOR GEAR PUMPS	4	52,4	72	26,2	M6	25,4	-	138,5	-	HC3***-048	ER300	HC301A	115			
BHE152C/03	-	AR3/03	1MM		4	56	73	24,5	M6	30	-	138,5	-			HC301B				
BHE152/16	-	-	1ZB		2	40	40	10,3	M8	32	-	138,5	-			HC301D				
BHE152C/04	-	AR3/04	02M-02C		4	71,5	96	32,5	M8	36,5	-	138,5	-	HC3***-048	ER300	HC302A-B		115		
BHE152/17	-	-	2ZF		4	72	100	34,5	M8	80	-	138,5	-			HC302D				
BHE152/17	FR10C/05	AR3/06	03M		4	98,5	128	43	M8	50,8	16	138,5	154,5			HC303A				
BHE152/17	FR10C/06	AR3/06	03C		4	98,5	128	42	M10	50,8	16	138,5	154,5							
BHE152/17	FR10C/07	AR3/06	03T	4	98,5	137	45	M10	50,8	16	138,5	154,5								
BHE152/080A	-	-	080A	OVAL AND SQUARE FOR SAE AND ISO STANDARD	2	100	-	-	M10	80	-	138,5	-	HC3***-048	ER300	HC3***-***	115			
BHE152/080B	-	-	080B		2	110	-	-	M10	80	-	138,5	-							
BHE152/080E	-	-	080E		4	100	-	-	M8	80	-	138,5	-							
BHE152/082A	-	-	082A		2	106,4	-	-	M10	82,55	-	138,5	-							
BHE152/080U	FR60/100B	-	100B		2	140	-	-	M12	100	29	138,5	167,5							
BHE152/080U	FR60/100G	-	110G		4	125	-	-	M10	100	29	138,5	167,5							
BHE152/080U	FR60/101B	-	101B		2	146	-	-	M12	101,6	29	138,5	167,5							
BHE152/080U	FR60/101D	-	101D		4	127	-	-	M12	101,6	29	138,5	167,5							

## BHE 172



BELL-HOUSING			PUMP CODE	PUMP HOLE TYPE	PUMP FACE MACHINING									HEIGHT			ELASTIC COUPLING			MAX
CODE	ADDITIONAL PUMP FLANGE	PUMP SIDE ADAPTOR RING			N°	L	M	N	O	P	S	T	K	MOTOR	SPIDER	PUMP				
BHE172C/02	-	AR3/02	1PM	RECTANGULAR FOR GEAR PUMP	4	52,4	72	26,2	M6	25,4	-	138,5	-	HC3***-048	ER300	HC301A	115			
BHE172C/03	-	AR3/03	1MM		4	56	73	24,5	M6	30	-	138,5	-			HC301B				
BHE172/16	-	-	1ZB		2	40	40	10,3	M8	32	-	138,5	-			HC301D				
BHE172C/04	-	AR3/04	02M-02C		4	71,5	96	32,5	M8	36,5	-	138,5	-	HC3***-048	ER300	HC302A-B		115		
BHE172/17	-	-	2ZF		4	72	100	34,5	M8	80	-	138,5	-			HC302D				
BHE172/17	FR10C/05	AR3/06	03M		4	98,5	128	43	M8	50,8	16	138,5	154,5			HC303A				
BHE172/17	FR10C/06	AR3/06	03C		4	98,5	128	42	M10	50,8	16	138,5	154,5							
BHE172/17	FR10C/07	AR3/06	03T	4	98,5	137	45	M10	50,8	16	138,5	154,5								
BHE172/080A	-	-	080A	OVAL AND SQUARE FOR SAE AND ISO STANDARD	2	100	-	-	M10	80	-	138,5	-	HC3***-048	ER300	HC3***-***	115			
BHE172/080B	-	-	080B		2	110	-	-	M10	80	-	138,5	-							
BHE172/080E	-	-	080E		4	100	-	-	M8	80	-	138,5	-							
BHE172/082A	-	-	082A		2	106,4	-	-	M10	82,55	-	138,5	-							
BHE172/080U	FR60/100B	-	100B		2	140	-	-	M12	100	29	138,5	167,5							
BHE172/080U	FR60/100G	-	110G		4	125	-	-	M10	100	29	138,5	167,5							
BHE172/080U	FR60/101B	-	101B		2	146	-	-	M12	101,6	29	138,5	167,5							
BHE172/080U	FR60/101D	-	101D		4	127	-	-	M12	101,6	29	138,5	167,5							