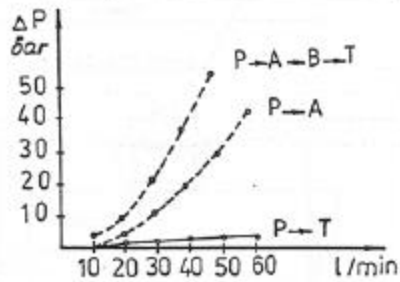
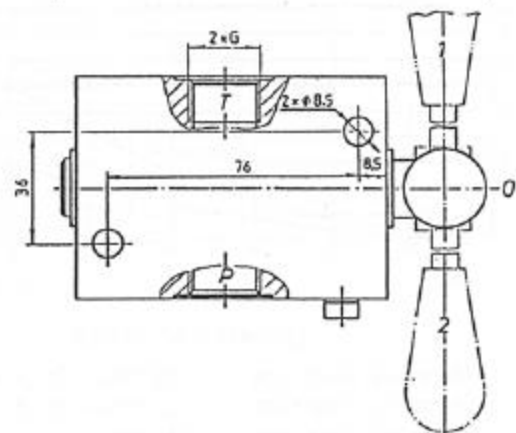
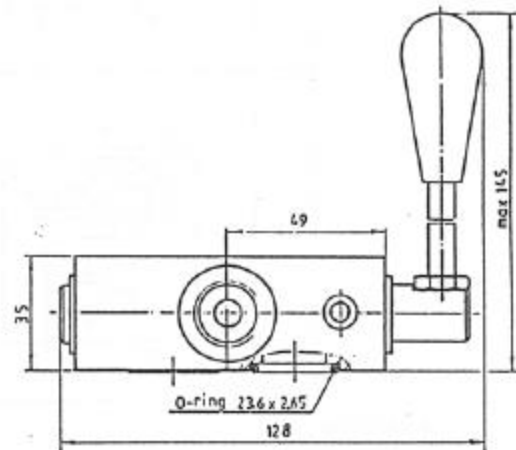
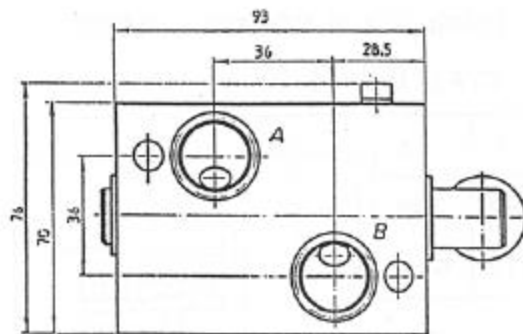
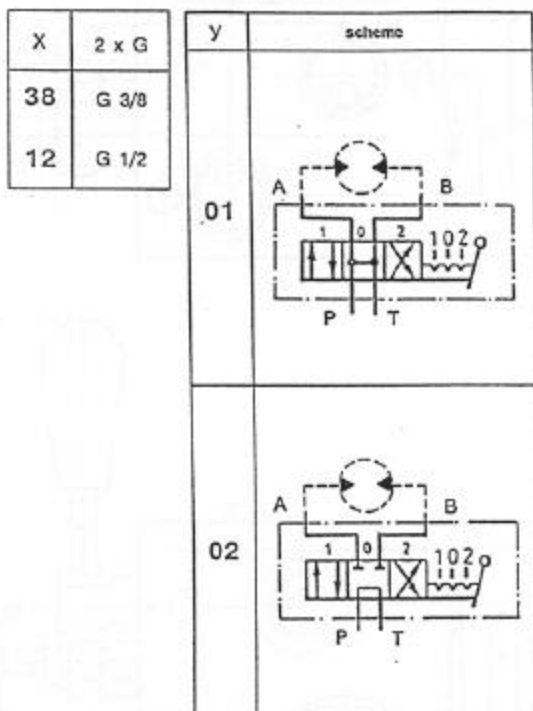


BDR Type Motor Mounted Directional Control Valve

Type BDR-X-Y



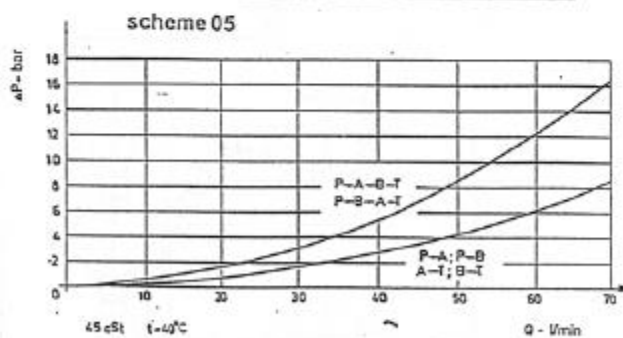
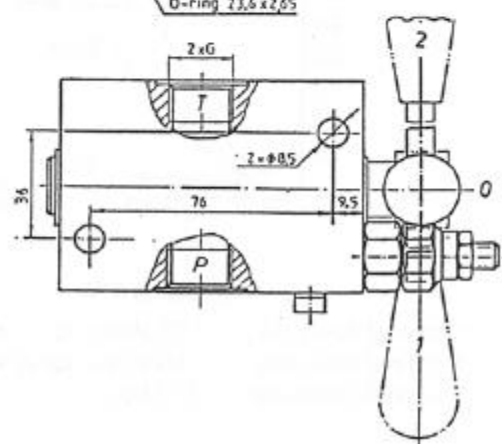
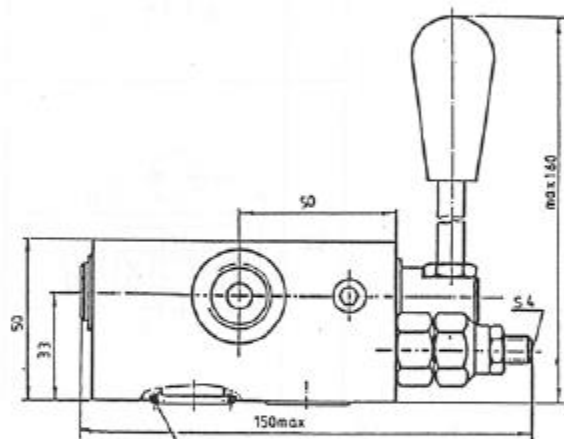
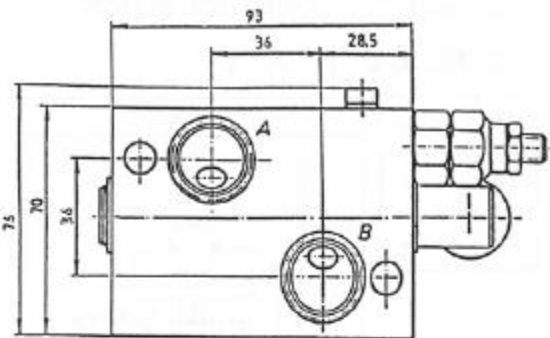
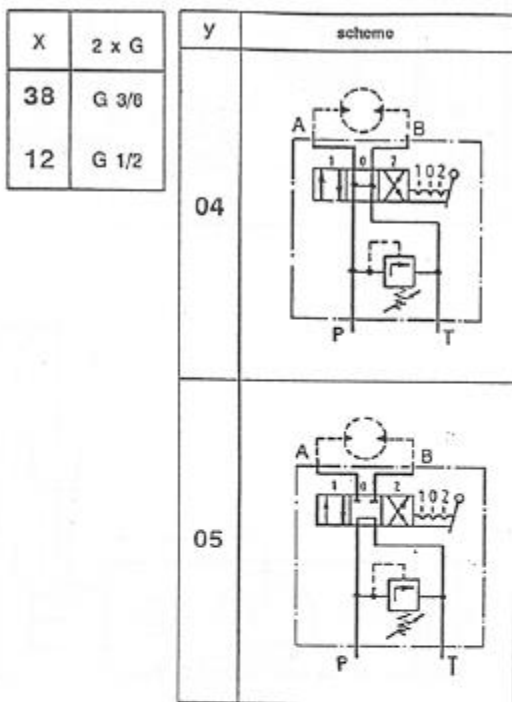
TECHNICAL DATA

- Nominal flow rate - 25 l/min for X = 38
- Nominal flow rate - 50 l/min for X = 12
- Nominal pressure - 210 bar

Manifold Mounts Directly onto ports of EPM & EPRM (OMP & OMR) motor

BDR Type Motor Mounted Directional Control Valve With Integral Relief Valve

Type BDR-X-Y



TECHNICAL DATA

- Nominal flow rate - 25 l/min for X = 38
- Nominal flow rate - 50 l/min for X = 12
- Nominal pressure - 210 bar
- Relief valve variation ratio - 10...250 bar

Manifold Mounts Directly onto ports of EPM & EPRM (OMP & OMR) motor