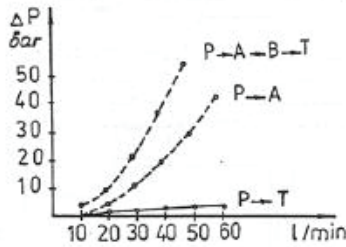
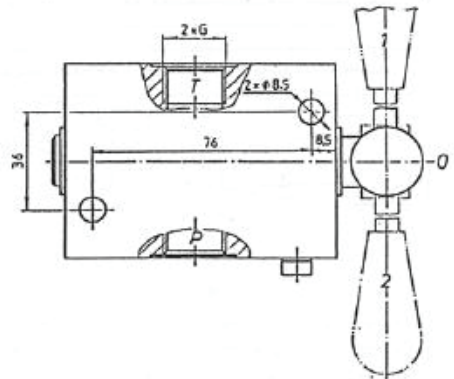
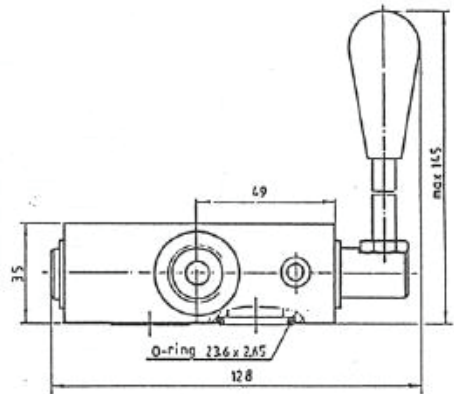
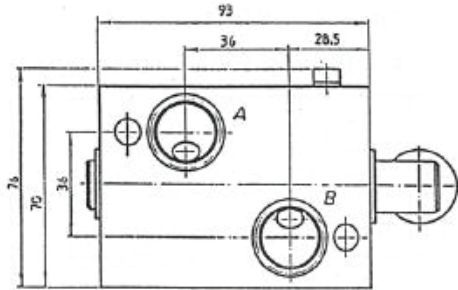
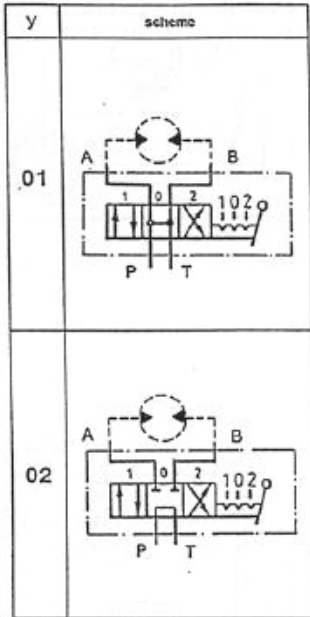


***BDR Type Motor Mounted  
Directional Control Valve***

**Type BDR-X-Y**

X	2 x G
38	G 3/8
12	G 1/2



**TECHNICAL DATA**

- Nominal flow rate - 25 l/min for X = 38
- Nominal flow rate - 50 l/min for X = 12
- Nominal pressure - 210 bar

*Manifold Mounts Directly onto ports of EPM & EPRM (OMP & OMR) motor*