

BSP Banjo

BSP Banjo

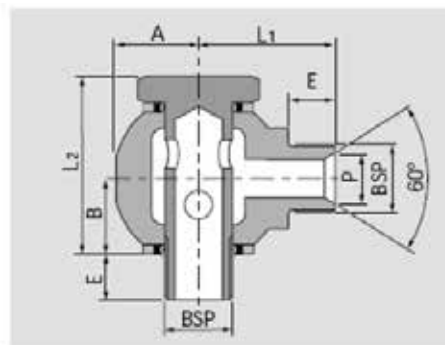
Features:

- Ball Type
- Bonded Seal Bolt
- High Working Pressure
- Mild Steel - High Grade Material
- Sealing face and threads machines to high tolerance
- High Level Corrosion Resistance Plating (CR3 compliant)
- Available in Stainless Steel 316 or Cupro Nickel



Benefits:

- Full Flow Banjo
- Compact design



Stud BSP	Part No	L1 mm	L2 mm	A mm	B mm	E mm	P mm	Nut A/F mm	Nut A/F mm	*Max WP Bar
1/4	KRA4-4BJ	25	34	14	14	11	11	19	21.9	680
3/8	KRA6-6BJ	29	42	17	17	13	14	22	25.4	680
1/2	KRA8-8BJ	37	47	21	20	16	18	27	31.2	680
3/4	KRA12-12BJ	45	63	25	26	19	23	27	38.1	680

*Derate Maximum working pressure by 50% for high pressure gas systems.