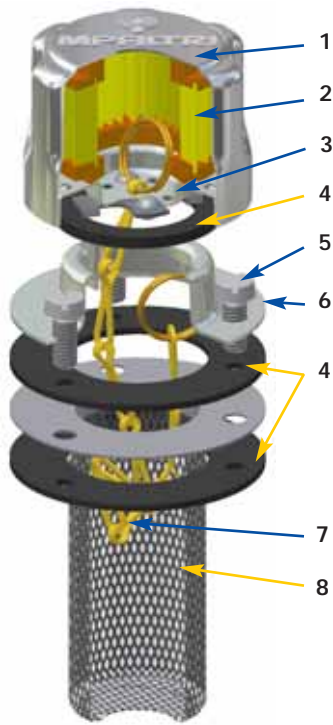


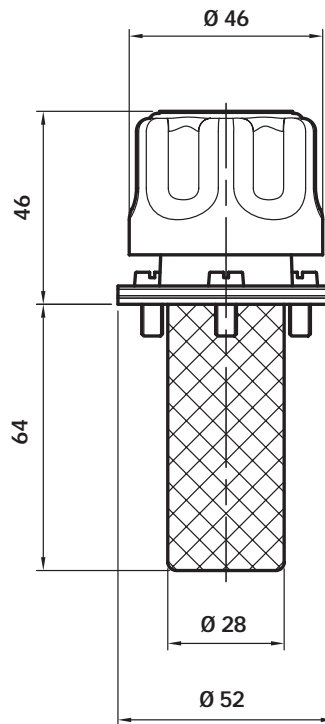
Dimensions



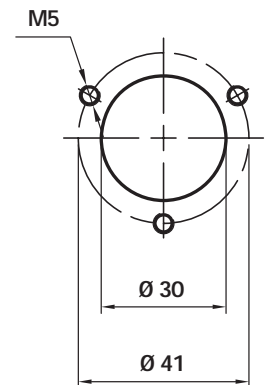
TA46 B (Materials)

- 1 - Cover: Chrome plated steel
- 2 - Breather filter: Resin impregnated cellulose
- 3 - 6 - Flange: Galvanised Steel
- 4 - Seals: NBR
Cork Gasket
- 5 - Screws: Galvanised Steel
- 7 - Chain, ring: Brass
- 8 - Strainer: Galvanised Steel

Bayonet connection



Reservoir holes



Flow rates with Δp : 0,02 bar

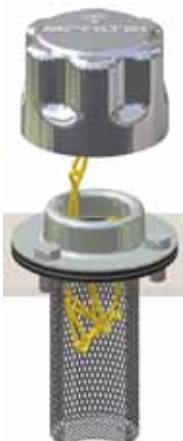
Filtration	l/min
3 μ m	150
10 μ m	200

Weight

TA 46: 0,100 kg

TA 46 B

Bayonet connection
Non-removable strainer

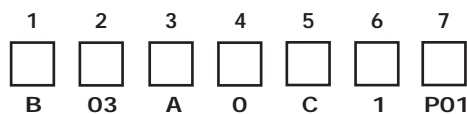


Ordering information

Filler caps series

TA46

Example: TA46



1 - Connection to reservoir

B Flange with bayonet connection

2 - Filter element

03 3 μ m
10 10 μ m

3 - Seals

A NBR
B Cork Gasket

4 - Valves

0 Without

5 - Variants

0 Standard
C With chain

6 - Strainer

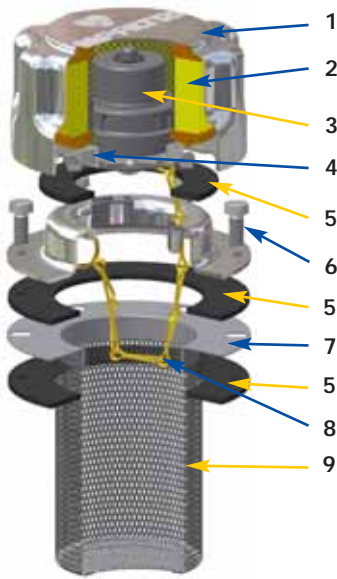
0 Without strainer
1 L= 65 mm

7 - Options

P01 MP Standard

Series TA 80

Metal filler / breather filler caps



TA80 B/D (Materials)

- 1 - Cover: Chrome plated steel
- 2 - Breather filter: Resin impregnated cellulose
- 3 - Pressurisation valve:
 - Bodies: Nylon
 - End cap-disk: Galvanised Steel
 - Spring: Steel
 - Seals: NBR
- 4 - Flange and anti-slosh feature: Galvanised Steel
- 5 - Seals: Cork Gasket
- 6 - Screws and washers: Galvanised Steel
- 7 - Flange: Galvanised Steel
- 8 - Chain, ring: Brass
- 9 - Strainer TA80B: Galvanised Steel

Flow rates with Δp : 0,02 bar

Filtration	l/min
3 μm	450
10 μm	550

Weight

Strainer L 80 mm: 0,330 Kg
Strainer L 150 mm: 0,350 Kg

TA 80 B

Bayonet connection
Non-removable strainer



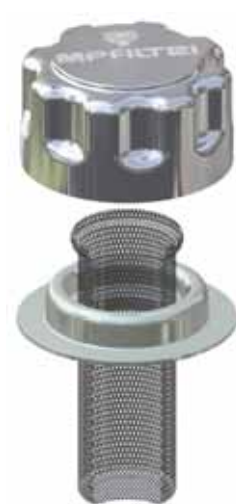
TA 80 B

Bayonet connection
With Padlock Hasp



TA 80 D

Bayonet connection
Removable strainer



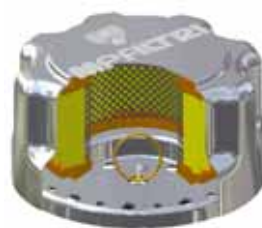
TA80B00....P01

Bayonet connection
Closed filler cap without
filter element



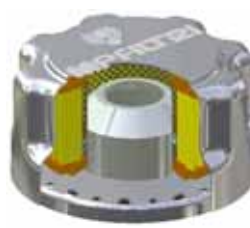
TA80B10....P01

Bayonet connection
Filler cap with filter element



TA80B03.9..P01

Bayonet connection
Filler cap with anti-slosh
feature and filter element

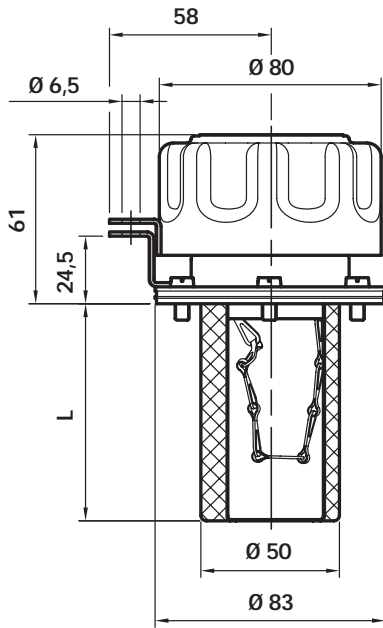


TA80B10.1..P01

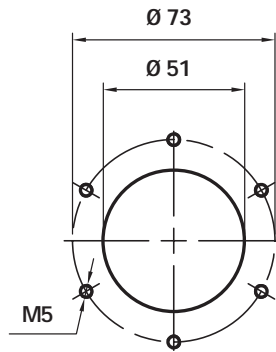
Bayonet connection
Filler cap with
pressurisation valve and
filter element



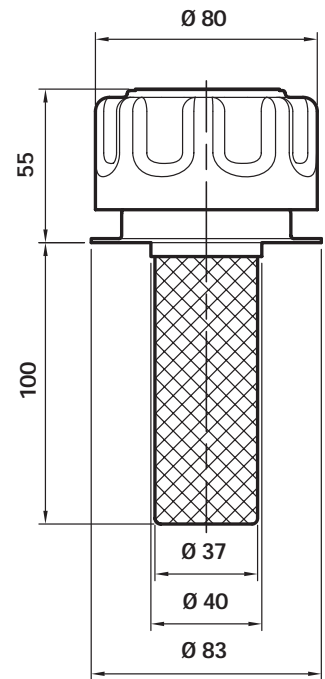
Bayonet connection



Reservoir holes



Weld flange

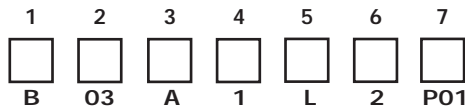


Ordering information

Filler caps series

TA80

Example: TA80



1 - Connection to reservoir

- B** Flange with bayonet connection
- D** Weld flange

2 - Filter element

- 00** Without filter (Blank filler cap)
- 03** 3 µm
- 10** 10 µm

3 - Seals

- A** NBR
- B** Cork Gasket

4 - Valves

- 0** Without
- 1** 0,3 bar pressurisation valve (only with seals NBR)
- 2** 0,7 bar pressurisation valve (only with seals NBR)
- 9** Anti-slosh feature (only with filter element 3 µm)

5 - Variants

- 0** Standard
- L** With Padlock Hasp (B versions only)

6 - Strainer

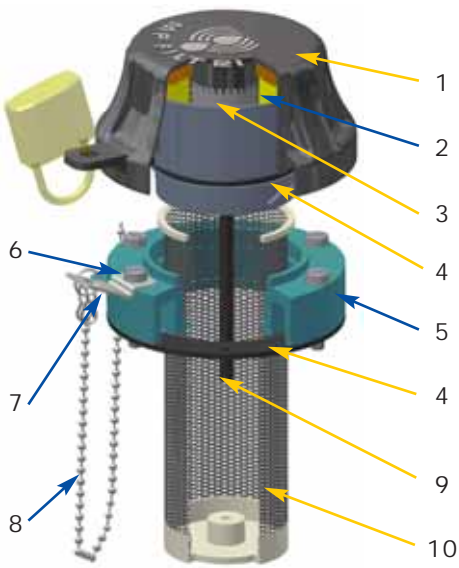
- 0** Without strainer
- 1** L= 80 mm (B versions only)
- 2** L= 150 mm (B versions only)
- 3** L= 100 mm (D versions only)

7 - Options

- P01** MP Standard

Series TAP 90

Nylon filler /
breather filler caps



TAP90 (Materials)

- 1 - Cover/ringnut: Nylon
- 2 - Breather filter: Resin impregnated cellulose
Polyurethane
- 3 - Pressurisation valve:
Nylon
Galvanised Steel
NBR
- 4 - Seal: NBR
- 5 - Flange B: Nylon
- 6 - Screws: Galvanised Steel
- 7 - Padlock hasp: Galvanised Steel
- 8 - Chain, ring: Brass
- 9 - Dipstick: Phosphated steel
- 10 - Strainer: Galvanised Steel/Nylon

Flow rate with Δp : 0,02 bar

Filtration	l/min
3 μm	450
10 μm	550

Weight

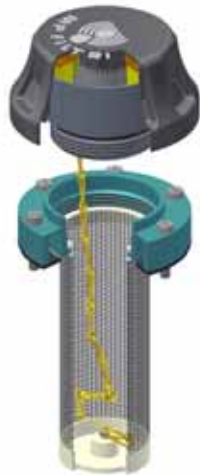
Strainer L 120 mm: 0,180 Kg
Strainer L 250 mm: 0,210 Kg

TAP90 B.....
Flange with
bayonet connection



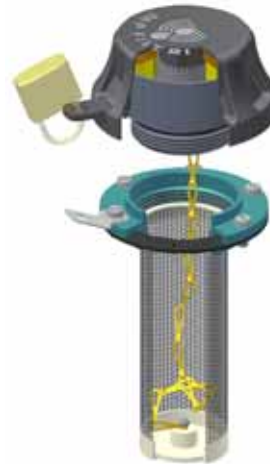
External chain

TAP90 R.....
Flange with
M52x2 connection



Internal chain

TAP90 F.....
Flange with spigot
DIN 24557 Connection
M52x2



Internal chain

TAP90 C.....
Weld riser
Connection
M52x2



Weld riser in
galvanised steel,
internal chain

TAP90 B-C-R-F
With dipstick



TAP90 B-C-R-F
Closed filler cap without
filter element

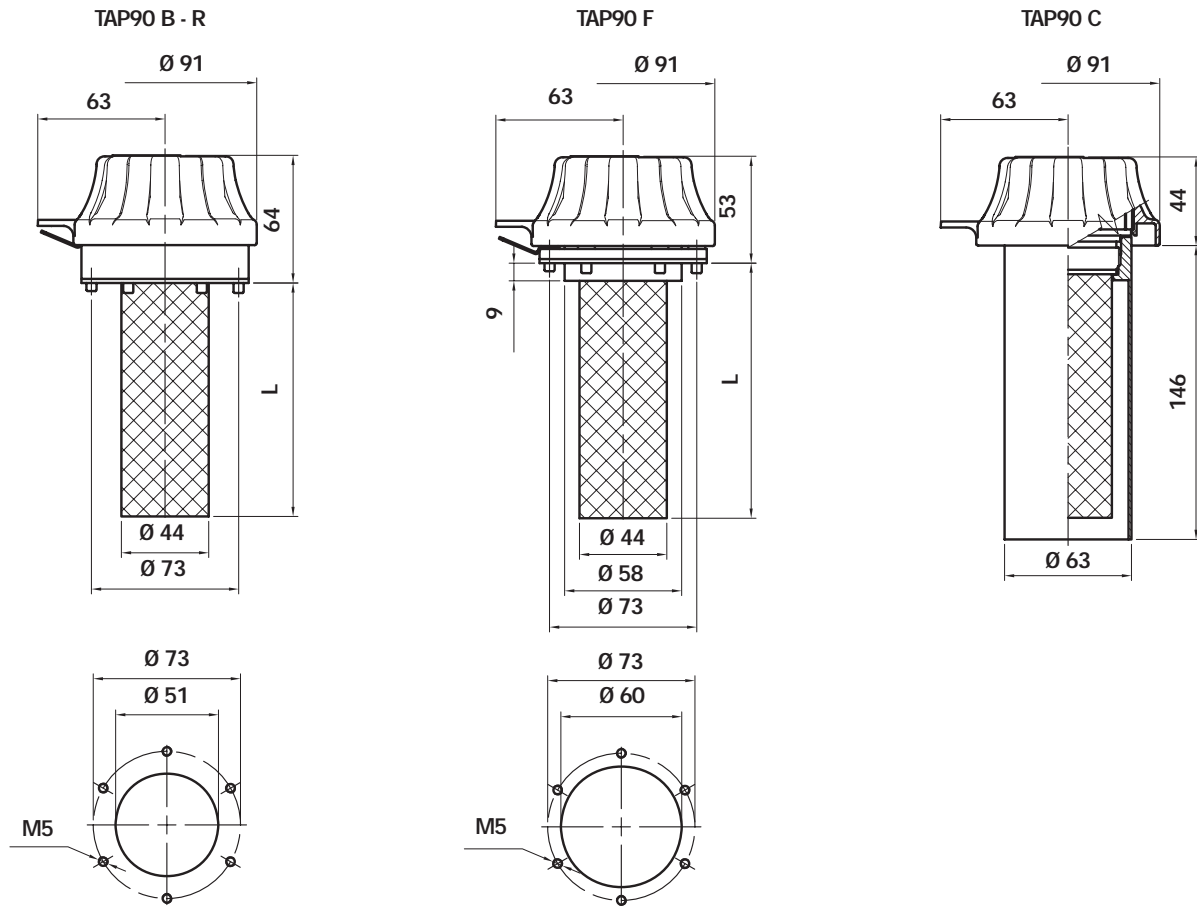


TAP90 B-C-R-F
Filler cap with filter
element



TAP90 B-C-R-F
Filler cap with
pressurisation valve



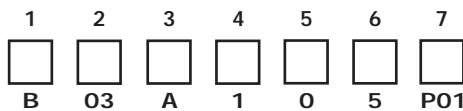


Ordering information

Filler caps series

TAP90

Example: TAP90



1 - Connection to reservoir

B	Flange with bayonet connection
C	Weld riser (M52X2 version only)
F	Flange with threaded M52x2 connection Spigot Ø 60 (DIN 24557)
R	Flange with M52X2 threaded connection

2 - Filter element

00	Without filter (Blank filler cap)
03	3 µm
10	10 µm

3 - Seals

A	NBR
----------	-----

4 - Valves

0	Without
1	0.3 bar pressurisation valve
2	0.7 bar pressurisation valve

In the version with chain the L= 120 strainer features a press fitting.

5 - Variantes

0	Standard
L	With Padlock Hasp
A	With Dipstick With Chain external for connection B
C	With Chain internal for connection C-F-R (with strainer only) With Padlock Hasp and chain external for raccordement B
D	With Padlock Hasp and chain internal for raccordements C-F-R (with strainer only)
E	Dipstick and chain external (only connection B)
F	Dipstick and Padlock Hasp
G	Dipstick, Padlock Hasp and chain external (only connection B)

6 - Strainer

0	Without strainer
1	L= 120 mm
3	L= 250 mm

INOX strainer on request

7 - Options

P01	MP Standard
------------	-------------

Series TAP 114

Nylon filler /
breather caps



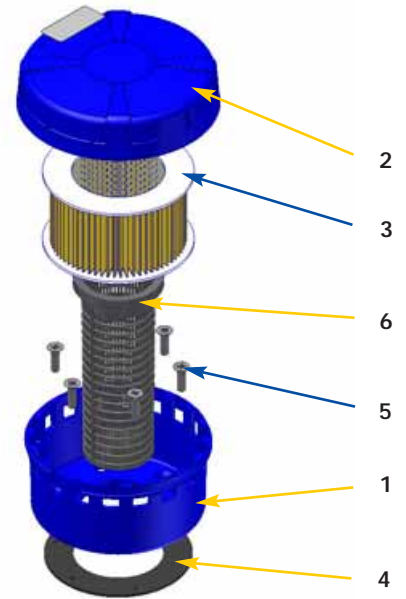
Example
TAP114

Length 1



Example
TAP114

Length 2

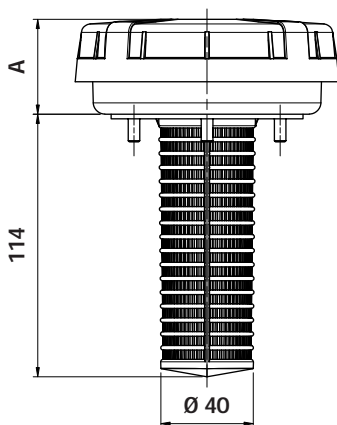


TAP114 (Materials)

- 1 - Flange: Nylon
- 2 - Cover: Nylon
- 3 - Breather filter: Resin impregnated cellulose
- 4 - Seal: NBR
- 5 - Screws: Galvanised Steel
- 6 - Strainer: Nylon

Dimensions

TAP 114



Lenght	A
1	41
2	56

Flow rates with Δp : 0,02 bar

Length 1

Filtration	l/min
10 μ m	1450

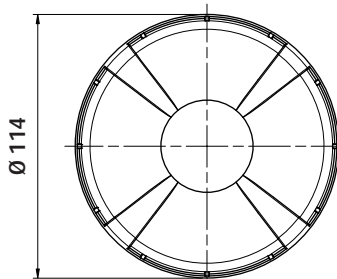
Length 2

Filtration	l/min
10 μ m	1600

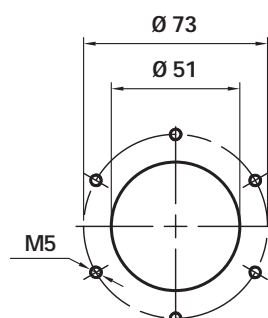
Weight

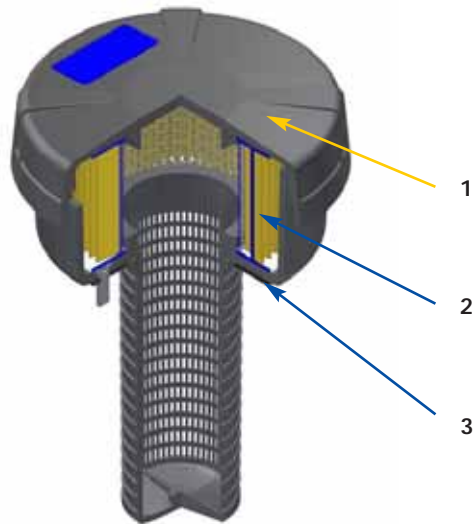
TAP 114 1: 0,185 Kg

TAP 114 2: 0,200 Kg



Reservoir holes





TAP 114 spare parts

Item.	Description	Qty	Filler cap series TAP 114	
1	Complete filler cap	1	See order table	
2	Filter Element	1	See order table	
3	Seal	1	NBR 01026306	FPM 01026332

Ordering information

Filler cap series TAP114

Example: TAP114

1	2	3	4	5
<input type="checkbox"/>	<input type="checkbox"/>	<input type="checkbox"/>	<input type="checkbox"/>	<input type="checkbox"/>
2	L10	A	1	P01

Filter Element A114

Example: A114

1	2	5
<input type="checkbox"/>	<input type="checkbox"/>	<input type="checkbox"/>
2	L10	P01

1 - Length

<input type="checkbox"/>	1
<input type="checkbox"/>	2

2 - Filter element

<input type="checkbox"/>	L10	Resin impregnated cellulose 10 µm
--------------------------	-----	-----------------------------------

3 - Seal

<input type="checkbox"/>	A	NBR
--------------------------	---	-----

4 - Strainer

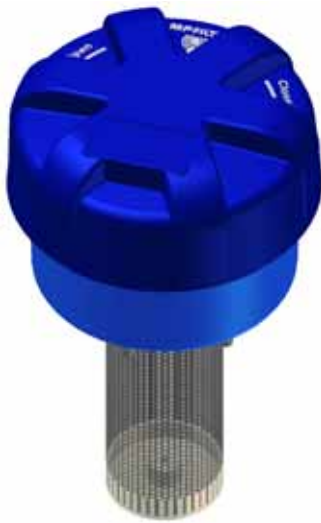
<input type="checkbox"/>	0	Without strainer
<input type="checkbox"/>	1	L= 114 mm

5 - Options

<input type="checkbox"/>	P01	MP Filtri standard
--------------------------	-----	--------------------

Series TAP 115

Nylon filler /
breather filler caps



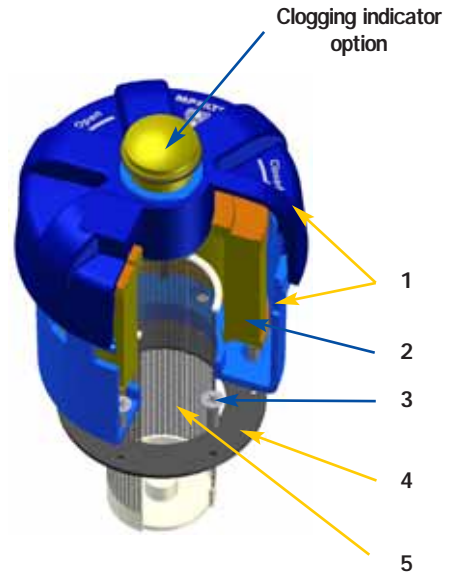
Example
TAP115

Length 1
Without Indicator



Example
TAP115

Length 2
With Indicator



TAP115 (Materials)

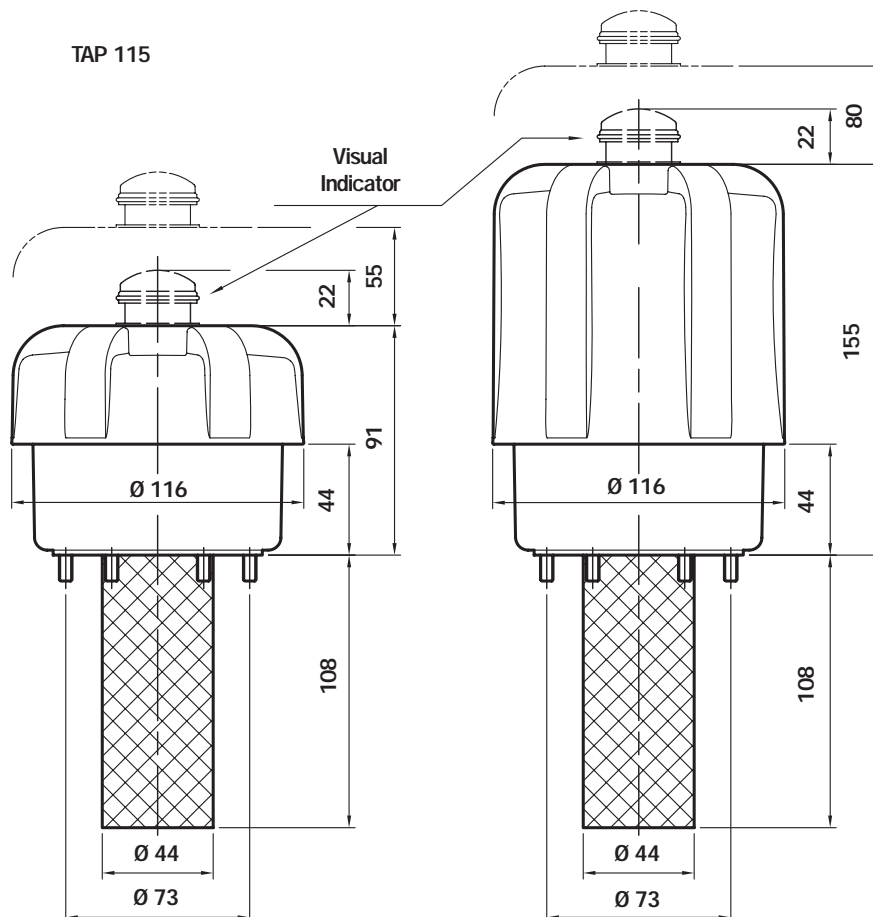
- 1 - Cover/Flange: Nylon
- 2 - Breather filter: Resin impregnated cellulose/Microfibre
- 3 - Seals: NBR
FPM
- 4 - Screws: Galvanised Steel
- 5 - Strainer: Galvanised Steel/Nylon

Clogging indicator

Set pressure: - 0,062 bar \pm 10 %

Manual reset

Dimensions



Flow rates with Δp : 0,02 bar

Length 1

Filtration	l/min
3 μ m	1600
10 μ m	2000

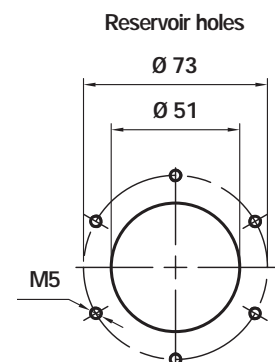
Length 2

Filtration	l/min
3 μ m	2150
10 μ m	2150

Weight

TAP 115 1: 0,460 Kg

TAP 115 2: 0,585 Kg



Changing the filter element in

TAP 115 series filler caps

1 Thoroughly clean the filler cap and adjacent parts.

2 Unscrew and raise the cover.

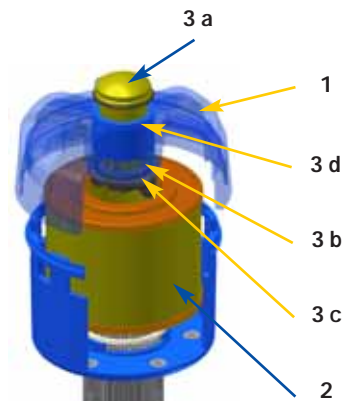


3 Renew the filter element and screw the cover fully home into the cartridge (DO NOT OVER TIGHTEN).



TAP 115 spare parts

Pos.	Description	Q.ty	Filler cap series TAP 115	
1	Complete filler cap	1	See order table	
2	Filter Element	1	See order table	
3	Indicator Kit	1	NBR	FPM
			02005187	02005188
3a	Visual indicator	1	S62P01	
3b	Seal	1	O-R 3106 Ø 26,64 X 2,62	
3c	Indicator securing screw	1	01022670	
3d	O-R indicator	1	O-R 2112 Ø 28,3 x 1,78	



Ordering information

Filler caps series

TAP115

Example: TAP115

1	2	3	4	5	6	7
<input type="checkbox"/>	<input type="checkbox"/>	<input type="checkbox"/>	<input type="checkbox"/>	<input type="checkbox"/>	<input type="checkbox"/>	<input type="checkbox"/>
2	F	A03	A	1	B	P01

Filter Element

A115

Example: A115

1	3	7
<input type="checkbox"/>	<input type="checkbox"/>	<input type="checkbox"/>
2	A03	P01

1 - Length

<input type="checkbox"/> 1
<input type="checkbox"/> 2

2 - Connection

<input type="checkbox"/> F	Flange
----------------------------	--------

3 - Filter element

<input type="checkbox"/> L10	Resin impregnated cellulose 10 µm
<input type="checkbox"/> A03	Inorganic microfibre 3 µm

4 - Seals

<input type="checkbox"/> A	NBR
<input type="checkbox"/> V	FPM

5 - Strainer

<input type="checkbox"/> 0	Without
<input type="checkbox"/> 1	L= 120 mm

6 - Indicator

<input type="checkbox"/> A	Without
<input type="checkbox"/> B	Visual indicator

7 - Options

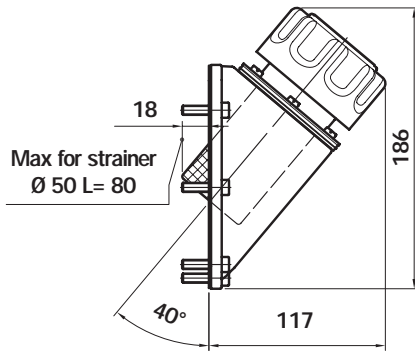
<input type="checkbox"/> P01	MP Standard
------------------------------	-------------

- Nylon inclined flange
- Metal filler / breather filler caps

Series TAF 80

Dimensions

TAF 80 B



For tank hole see "SMF 1" page 18.

Flow rate with Δp : 0,02 bar

Filtration	l/min
3 μm	450
10 μm	550

Weight

TAF 80: 0,655 Kg

Ordering information

TAF80 1 2 3 4 5 6 7 8
 Example: TAF80 B O3 A 1 L 1 M PO1

1 - Filler cap connection

B Flange with bayonet connection

2 - Filter element

00 Without filter (Blank filler cap)
03 3 μm
10 10 μm

3 - Seals

A NBR
B Cork Gasket

4 - Pressurisation valve

0 Without
1 0.3 bar pressurisation valve
2 0.7 bar pressurisation valve
9 Anti-slosh feature (only with filter element 3 μm)

} Only with seal NBR

5 - Variants

0 Standard
L With Padlock Hasp

6 - Strainer

0 Without
1 L= 80 mm

7 - Connection to reservoir

M Fixing with Metric screws
U Fixing with UNC screws

8 - Options

PO1 MP Standard

Series TAF 90

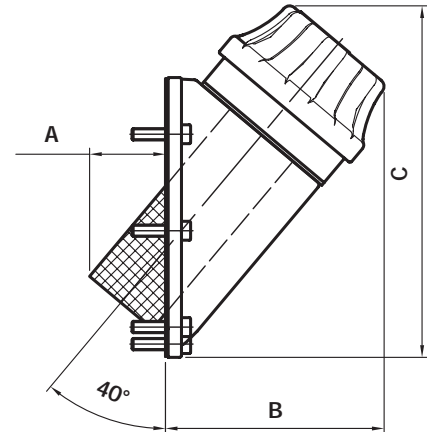
- Nylon inclined flange
- Nylon filler / breather filler caps

Dimensions

TAF 90 ...



TAF 90 B - R - F



Flow rate with Δp : 0,02 bar

Filtration l/min

3 μm 450

10 μm 550

Weight

TAF 90: 0,535 Kg

TYPE	A	B	C
TAF90 B - R	40	116	186
TAF90 F	48	109	178

For tank hole see "SMF 1" page 18.

Ordering information

TAF90 1 2 3 4 5 6 7 8
 Example: TAF90 **B** **O3** **A** **1** **L** **1** **M** **P01**

1 - Filler cap connection

- B** Flange with bayonet connection
- F** Flange with threaded connection M52x2 Spigot \varnothing 60 (DIN 24557)
- R** Flange with threaded connection M52x2

2 - Filter element

- 00** Without filter (Blank filler cap)
- 03** 3 μm
- 10** 10 μm

3 - Seals

- A** NBR

4 - Pressurisation valve

- 0** Without
- 1** 0.3 bar pressurisation valve
- 2** 0.7 bar pressurisation valve

5 - Variants

- O** Standard
- L** With Padlock Hasp
- C** With Chain external for connection **B**
With Chain internal for connection **F-R** (with strainer only)
- D** With Padlock Hasp and chain external for raccordement **B**
With Padlock Hasp and chain internal for raccordements **F-R** (with strainer only)

6 - Strainer

- 0** Without
- 1** L= 120 mm

7 - Connection to reservoir

- M** Fixing with Metric screws
- U** Fixing with UNC screws

8 - Options

- P01** MP Standard

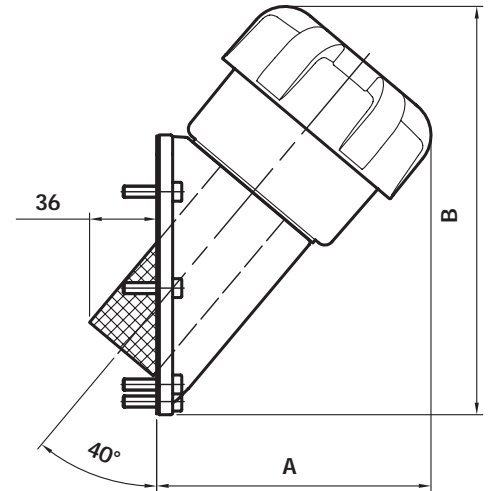
- Nylon inclined flange
- Nylon filler / breather filler caps

Series TAF 115

Dimensions

TAF 1151 F

TAF 115



Flow rate with Δp : 0,02 bar

Length 1		Length 2	
Filtration	l/min	Filtration	l/min
3 μm	1600	3 μm	2150
10 μm	2000	10 μm	2150
Weight		Weight	
TAF 115 1: 0,785 Kg		TAF 115 2: 0,910 Kg	

Length	A	B
1	145	216
2	187	266

For tank hole see "SMF 1" page 18.

Ordering information

TAF115
 Example: TAF115 1 2 3 4 5 6 7 8
2 F A03 A 1 B M P01

1 - Filler cap length

1
2

2 - Connection

F Flange

3 - Filter element

L10 Resin impregnated cellulose 10 μm
A03 Inorganic microfibre 3 μm

4 - Seals

A NBR
V FPM

5 - Strainer

0 Without
1 L= 120 mm

6 - Indicator

A Without
B Visual indicator

7 - Connection to reservoir

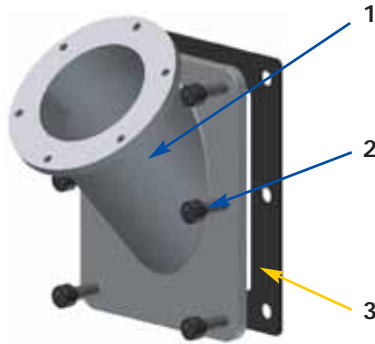
M Fixing with Metric screws
U Fixing with UNC screws

8 - Options

P01 MP Standard

Series SML Aluminium inclined flange

Aluminium inclined flange



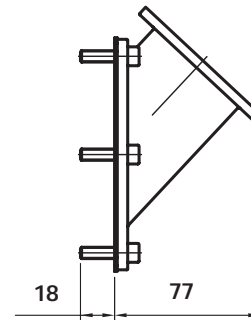
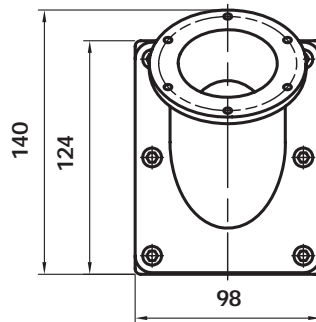
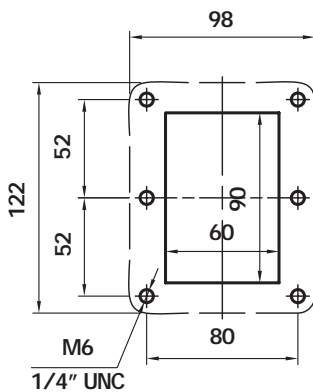
SML (Materials)

- 1 - Flange: Aluminium
- 2 - Screws: Phosphated steel
- 3 - Seals: NBR
Cork Gasket

Weight

SML: 0,380 Kg

Dimensions



Ordering information

SML 1 1 2 3
 Example: SML 1 M A P01

1 - Connection to reservoir

- M** Fixing with Metric screws
- U** Fixing with UNC screws

2 - Seals

- A** NBR
- B** Cork Gasket

3 - Options

- P01** MP Standard

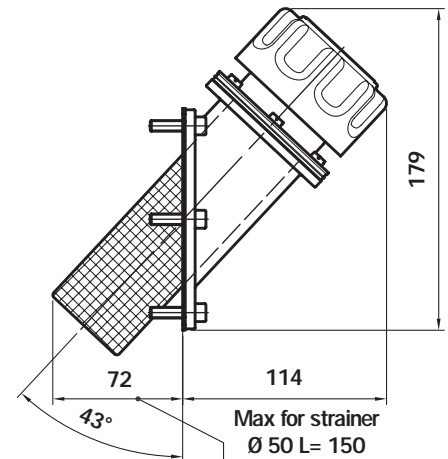
- Aluminium inclined flange
- Metal filler / breather filler caps

Series TAL 80

Dimensions



TAL 80 B



For tank hole see "SML 1" page 22.

Flow rate with Δp : 0,02 bar

Filtration	l/min
3 μm	450
10 μm	550

Weight

TAL 80 1: 0,710 Kg

Ordering information

TAL80 1 2 3 4 5 6 7 8
 Example: TAL80 **B** **03** **A** **1** **L** **2** **M** **P01**

1 - Filler cap connection

B Flange with bayonet connection

2 - Filter element

00 Without filter (Blank filler cap)
03 3 μm
10 10 μm

3 - Seals

A NBR
B Cork Gasket

4 - Pressurisation valve

0 Without
1 0.3 bar pressurisation valve
2 0.7 bar pressurisation valve
9 Anti-slosh feature (only with filter element 3 μm)

} Only with seal NBR

5 - Variants

0 Standard
L With padlock hasp

6 - Strainer

0 Without
1 L= 80 mm
2 L= 150 mm

7 - Connection to reservoir

M Fixing with Metric screws
U Fixing with UNC screws

8 - Options

P01 MP Standard

Series TAL 90

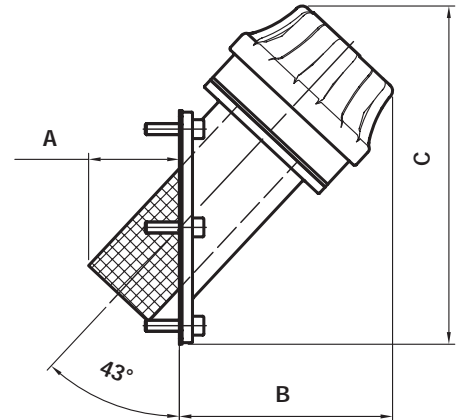
- Aluminium inclined flange
- Nylon filler / breather filler caps

Dimensions

TAL 90 ...



TAL 90 B - R - F



Flow rate with Δp : 0,02 bar

Filtration	l/min
3 μm	450
10 μm	550

Weight

TAL 90: 0,560 Kg

TYPE	A	B	C
TAL90 B - R	48	113	179
TAL90 F	56	106	171

For tank hole see "SML 1"
page 22.

Ordering information

TAL90 1 2 3 4 5 6 7 8
 Example: TAL90 **B** **O3** **A** **1** **L** **1** **M** **PO1**

1 - Filler cap Connection

- B** Flange with bayonet connection
- F** Flange with threaded connection M52x2 Spigot \varnothing 60 (DIN 24557)
- R** Flange with threaded connection M52x2

2 - Filter element

- 00** Without filter (Blank filler cap)
- 03** 3 μm
- 10** 10 μm

3 - Seals

- A** NBR

4 - Pressurisation valve

- 0** Without
- 1** 0.3 bar pressurisation valve
- 2** 0.7 bar pressurisation valve

5 - Variants

- O** Standard
- L** With Padlock Hasp
- C** With Chain external for connection **B**
With Chain internal for connection **F-R** (with strainer only)
- D** With Padlock Hasp and chain external for raccordement **B**
With Padlock Hasp and chain internal for raccordements **F-R** (with strainer only)

6 - Strainer

- 0** Without
- 1** L = 120 mm

7 - Connection to reservoir

- M** Fixing with Metric screws
- U** Fixing with UNC screws

8 - Options

- PO1** MP Standard

- Aluminium inclined flange
- Nylon filler / breather filler caps

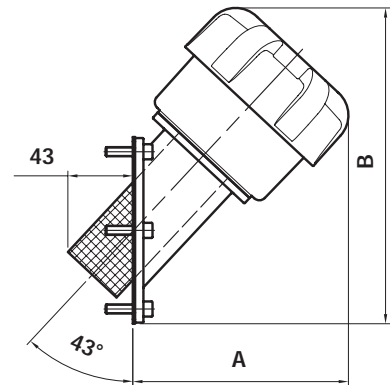
Series TAL 115

Dimensions

TAL 115 1 F



TAL 115



Flow rate with Δp : 0,02 bar

Length 1		Length 2	
Filtration	l/min	Filtration	l/min
3 μm	1600	3 μm	2150
10 μm	2000	10 μm	2150
Weight		Weight	
TAL 115 1: 0,840 Kg		TAL 115 2: 0,965 Kg	

Length	A	B
1	143	209
2	187	257

For tank hole see "SML 1" page 22.

Ordering information

TAL115
 Example: TAL115 1 2 3 4 5 6 7 8
2 F A03 A 1 B M P01

1 - Filler cap length

1
2

2 - Connection

F Flange

3 - Filter element

L10 Resin impregnated cellulose 10 μm
A03 Inorganic microfibre 3 μm

4 - Seals

A NBR
V FPM

5 - Strainer

0 Without
1 L= 120 mm

6 - Indicator

A Without
B Visual indicator

7 - Connection to reservoir

M Fixing with Metric screws
U Fixing with UNC screws

8 - Options

P01 MP Standard

Series **ATS**

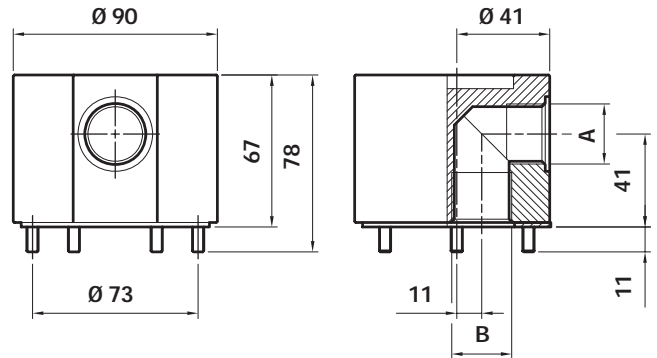
Universal adapter for oil filling to reservoir.
Possible use with oil filter/air breather filler caps type:

- TA 80
- TAP 90
- TAP 115
- SCS 100 F

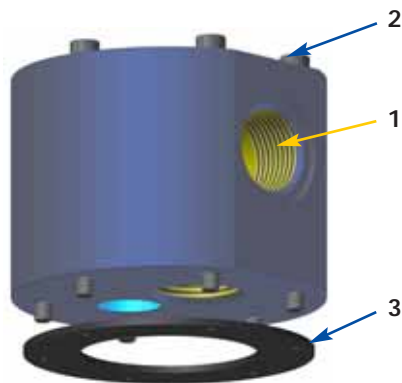
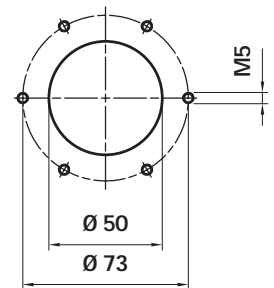
Dimensions



**Adapter for
Filler and breather plugs**



**Reservoir
holes**



- ATS (Materials)
- 1 - Adapter: Anodised Aluminium
 - 2 - Screws: Steel
 - 3 - Seals: NBR
FPM
Cork Gasket

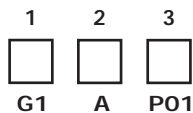
Weight
ATS: 1 Kg

Connection	A	B
G1	G 3/4"	G 3/4"
G2	SAE 12	1 1/16" 12 UN

Ordering information

**Adapter for
filler caps
ATS 1**

Example: ATS 1



1 - Connection

G1	G 3/4"
G2	SAE 20 (1 1/16" 12 UN)

2 - Seals

A	NBR
B	Cork Gasket
V	FPM

3 - Options

P01	MP Standard
------------	-------------