

6

5

4

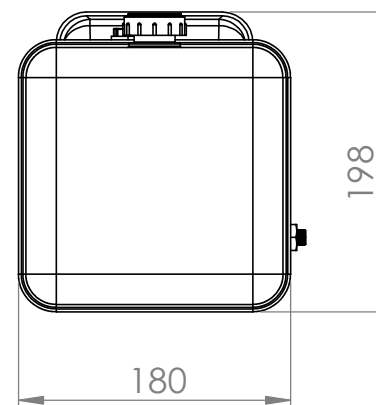
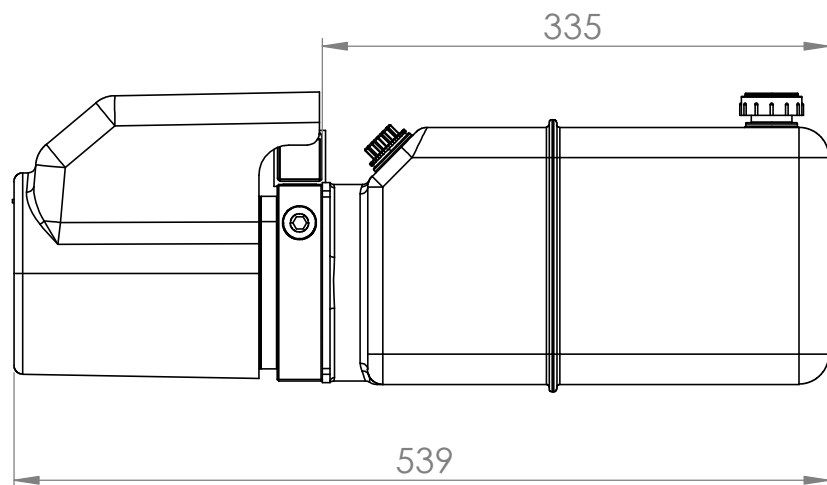
3

2

1

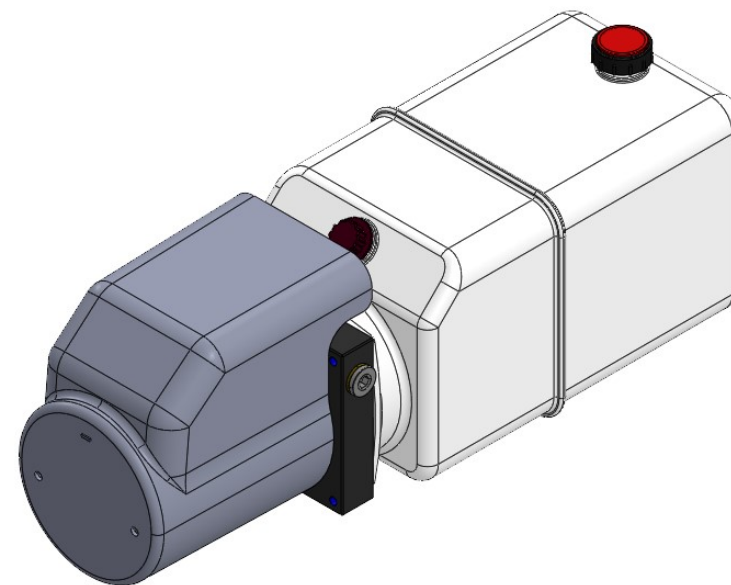
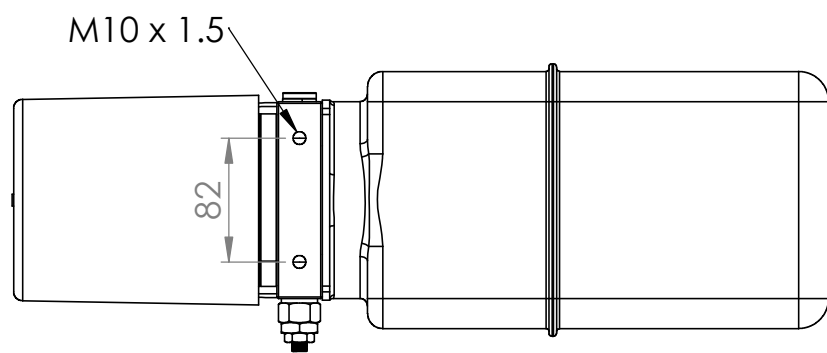
D

D



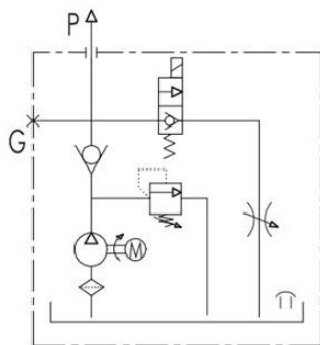
C

C



B

B



DC12/24V 1.6KW 2500RPM
 PUMP - 2.1CC
 TANK - 8LTR
 PORT SIZE - 3/8" BSP

DWG NO.
ZZ003834/3835

A4

A

SCALE 1:5

SHEET 1 OF 1

6

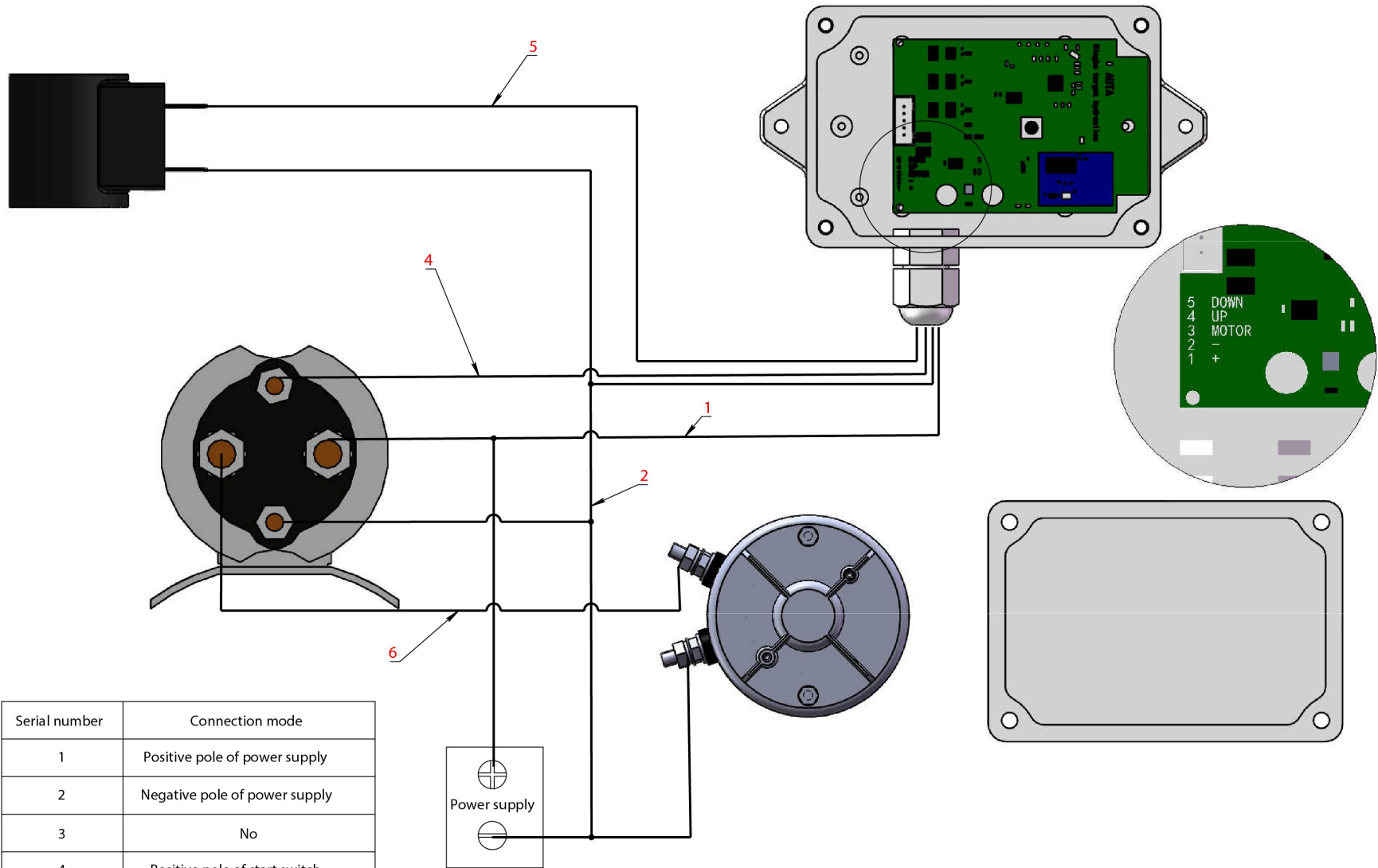
5

4

3

2

1



Serial number	Connection mode
1	Positive pole of power supply
2	Negative pole of power supply
3	No
4	Positive pole of start switch
5	Coil positive pole
6	Motor connection line(16FC)