

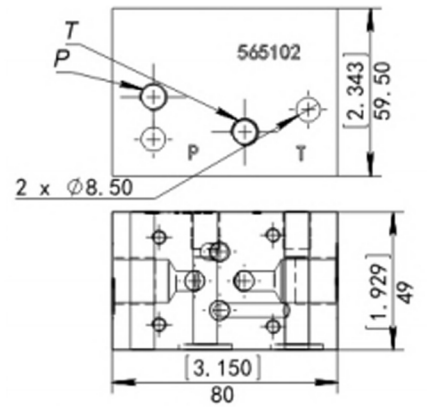
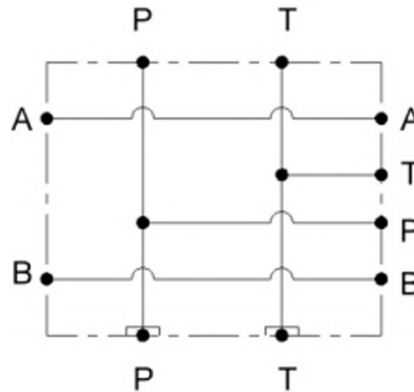


**MANUFACTURERS AND SUPPLIERS
OF HYDRAULIC COMPONENTS**

NG6 Cetop Parallel Manifold Block to suit Central Housing Manifold

565102

NG6(CETOP3)
Modular Manifolds
Parallel Connection
Lateral Ports



P T Port:1/8"BSPP
A B Port:3/8"BSPP
Other porting is available
Dimensions in mm [inches]

Weight:
0.58kgs