

PRESSURE FILTERS

F100-XD INLINE HIGH PRESSURE MAX 80-100 BAR	706
FD-3 INLINE MEDIUM PRESSURE MAX 100 BAR	715
F160-XD INLINE MEDIUM PRESSURE MAX 160 BAR.....	721
F280-D1 INLINE HIGH PRESSURE MAX 280 BAR.....	730
FDM-1 CETOP MOUNTABLE HIGH PRESSURE MAX 315 BAR.....	740



FLOWFIT®

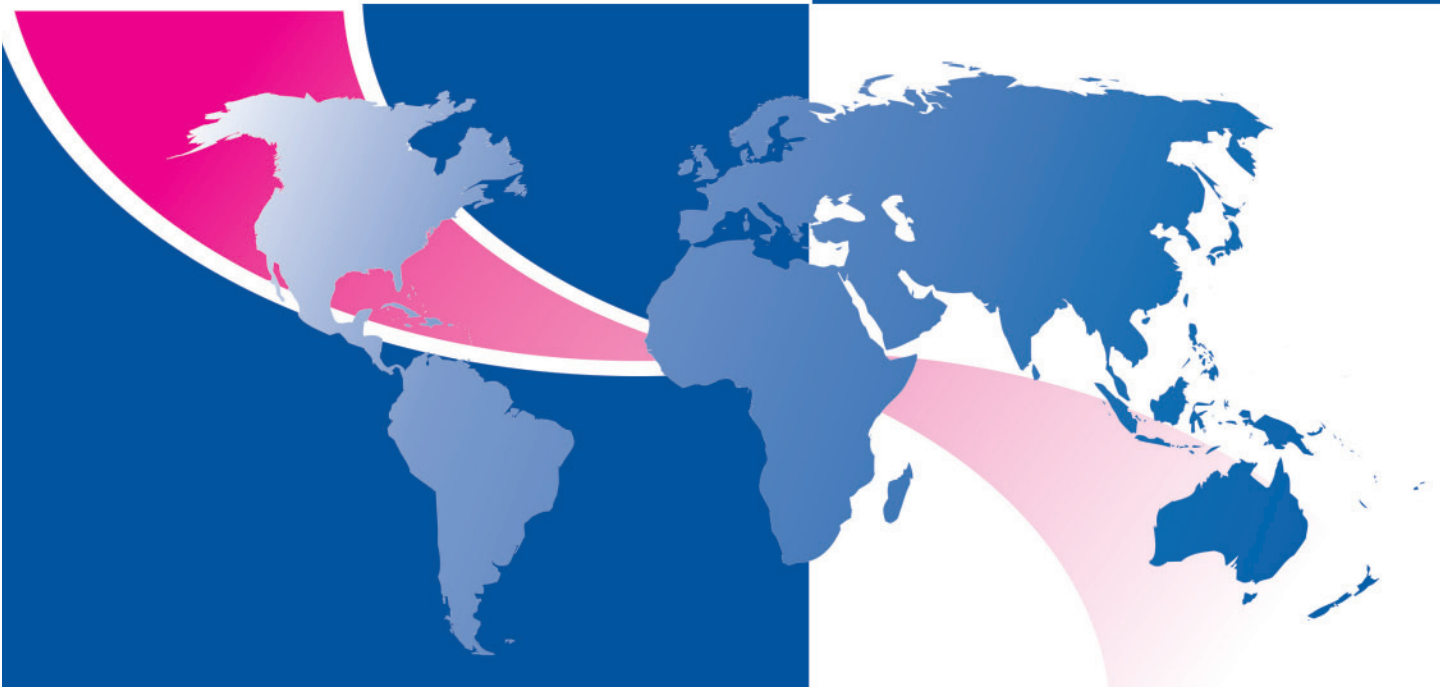


FILTRAZIONE IDRAULICA 
HYDRAULIC FILTRATION 



FILTREC[®]
Technical Filtration

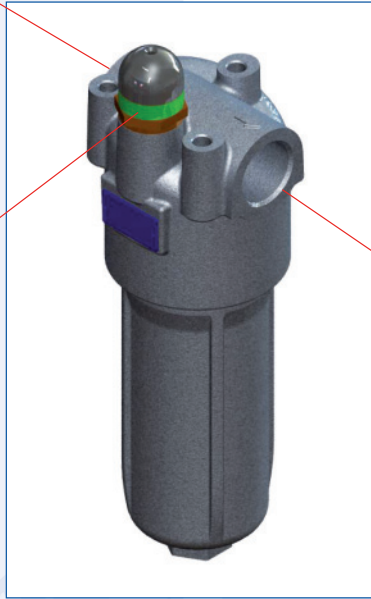
serie
F100-XD



INGRESSO - INLET

F100-XD040 / 063 / 100

POSIZIONE INDICATORE
DIFFERENZIALE
DIFFERENTIAL INDICATOR
POSITION

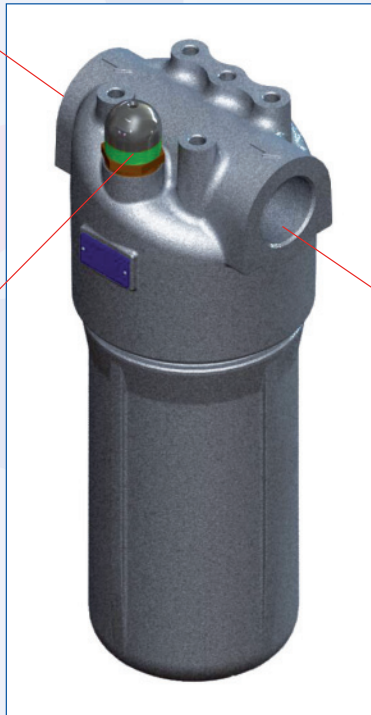


USCITA - OUTLET

INGRESSO - INLET

F100-XD160 / 250 / 400

POSIZIONE INDICATORE
DIFFERENZIALE
DIFFERENTIAL INDICATOR
POSITION



USCITA - OUTLET

Serie F100

Filtri in linea per media pressione
In line medium pressure filters



FILTER HOUSING

Description:

Max flow rate:

Max working pressure:

Test pressure:

Burst pressure:

Connection Ports:

By-pass:

Working temperature:

Materials:

Fluids compatibility:

Technical Information

In line medium pressure filter assembly with cleanable or disposable elements

400 l/min (105.5 gpm)

As per NFPA T 3.10.5.1:

As per NFPA T 3.10.5.1:

As per NFPA T 3.10.5.1:

BSP, NPT

No By-pass or 6 Bar (87 psi) setting

-25°C +120°C (-13°F +248°F)

- Head: aluminium
- Bowl: aluminium
- Seal: Buna-N / Viton®

ISO 2943: Filter assembly compatible with mineral oils and some synthetic or vegetable oils. With other fluid applications please contact Filtrac S.p.A.

F100-XD040/063/100	F100-XD160/250/400
100 Bar (1450 psi)	80 Bar (1160 psi)
150 Bar (2176 psi)	120 Bar (1740 psi)
300 Bar (4351 psi)	200 Bar (2900 psi)

FILTER ELEMENT

Filter media:

Collapse pressure:

Filter element dimensions according to DIN 24550

Microglass fiber 3, 6, 10, 15, 25 µ, cellulose 10 µ

As per ISO 2941: 21 Bar (305 psi) and 210 Bar (3045 psi)

DESCRIPTION	ORDER CODE	PORTS	FLOW RATE	PRICE	ELEMENT	PRICE
COMPLETE WITH LOW COLLAPSE ELEMENT, VISUAL INDICATOR AND BYPASS						
10 MICRON FIBREGLASS						
F100-XD-040-G10-A-B5-D-S-Z30	ZZ004914	1" BSP	40 L/MIN	£293.92	XD040G10A	£84.88
F100-XD-063-G10-A-B5-D-S-Z30	ZZ004915	1" BSP	60 L/MIN	£307.74	XD063G10A	£89.21
F100-XD-100-G10-A-B5-D-S-Z30	ZZ004916	1" BSP	100 L/MIN	£333.31	XD100G10A	£99.25
F100-XD-160-G10-A-B7-D-S-Z30	ZZ004917	1 1/2" BSP	160 L/MIN	£322.66	XD160G10A	£120.84
F100-XD-250-G10-A-B7-D-S-Z30	ZZ004918	1 1/2" BSP	250 L/MIN	£333.05	XD250G10A	£120.84
F100-XD-400-G10-A-B7-D-S-Z30	ZZ004919	1 1/2" BSP	400 L/MIN	£429.22	XD400G10A	£219.16
25 MICRON FIBREGLASS						
F100-XD-040-G25-A-B5-D-S-Z30	ZZ004920	1" BSP	60 L/MIN	£293.92	XD040G25A	£84.88
F100-XD-063-G25-A-B5-D-S-Z30	ZZ004921	1" BSP	100 L/MIN	£307.74	XD063G25A	£89.21
F100-XD-100-G25-A-B5-D-S-Z30	ZZ004922	1" BSP	160 L/MIN	£333.31	XD100G25A	£99.25
F100-XD-160-G25-A-B7-D-S-Z30	ZZ004923	1 1/2" BSP	200 L/MIN	£323.55	XD160G25A	£120.84
F100-XD-250-G25-A-B7-D-S-Z30	ZZ004924	1 1/2" BSP	300 L/MIN	£333.05	XD250G25A	£120.84
F100-XD-400-G25-A-B7-D-S-Z30	ZZ004925	1 1/2" BSP	400 L/MIN	£429.22	XD400G25A	£219.16

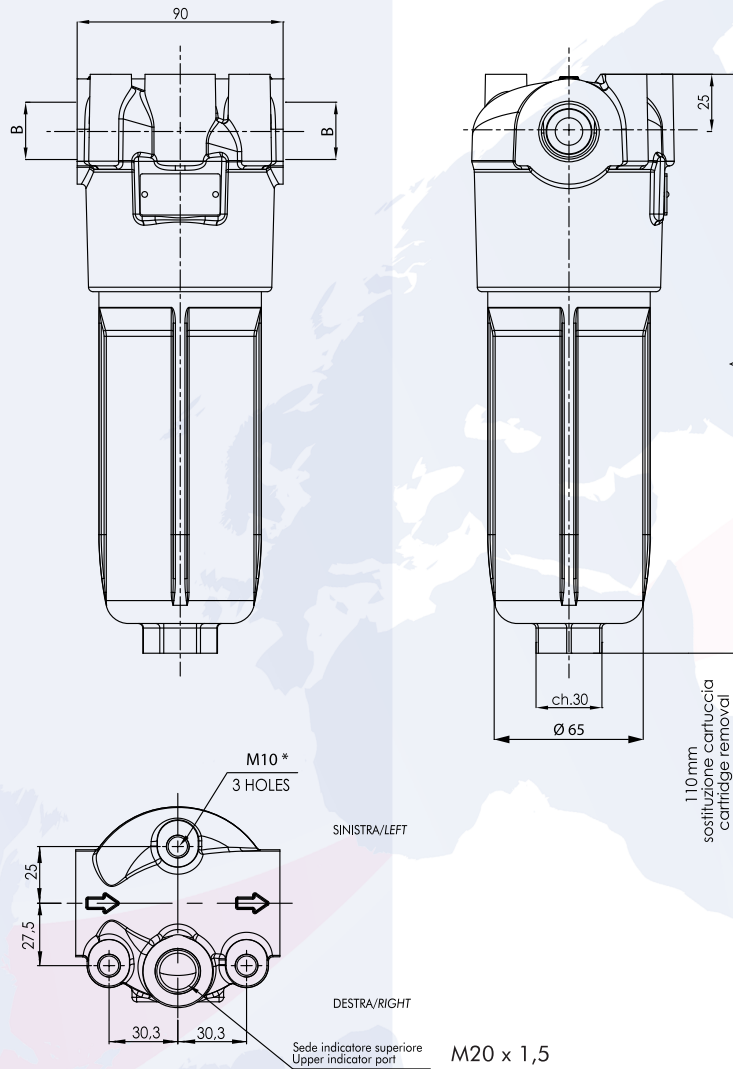
THE GIVEN FLOW RATE VALUES REFER TO APPLICATIONS WITH MINERAL OIL HAVING VISCOSITY OF 30 CST AT WORKING TEMPERATURE. FOR APPLICATIONS WITH DIFFERENT FLUID OR WORKING CONDITIONS, A CORRECTIVE FACTOR MUST BE APPLIED BY REFERING TO THE TECHNICAL INFORMATION.

OPTIONAL EXTRAS

	PRICE
VITON SEALS	
F100-XD040, XD063 & XD100	£13.70
F100-XD160, XD250 & XD400	£13.70
INDICATORS	
Z31 DIFFERENTIAL ELECTRICAL VISUAL 5 BAR 7.2 PSI	£65.13
Z32 DIFFERENTIAL VISUAL SWITCH 8 BAR 116 PSI	£47.32
Z33 DIFFERENTIAL ELECTRICAL VISUAL 8 BAR 116 PSI	£65.13

Informazioni dimensionali - Overall dimensions

F100-XD040 / 063 / 100



1) Grandezza nominale - Nominal size

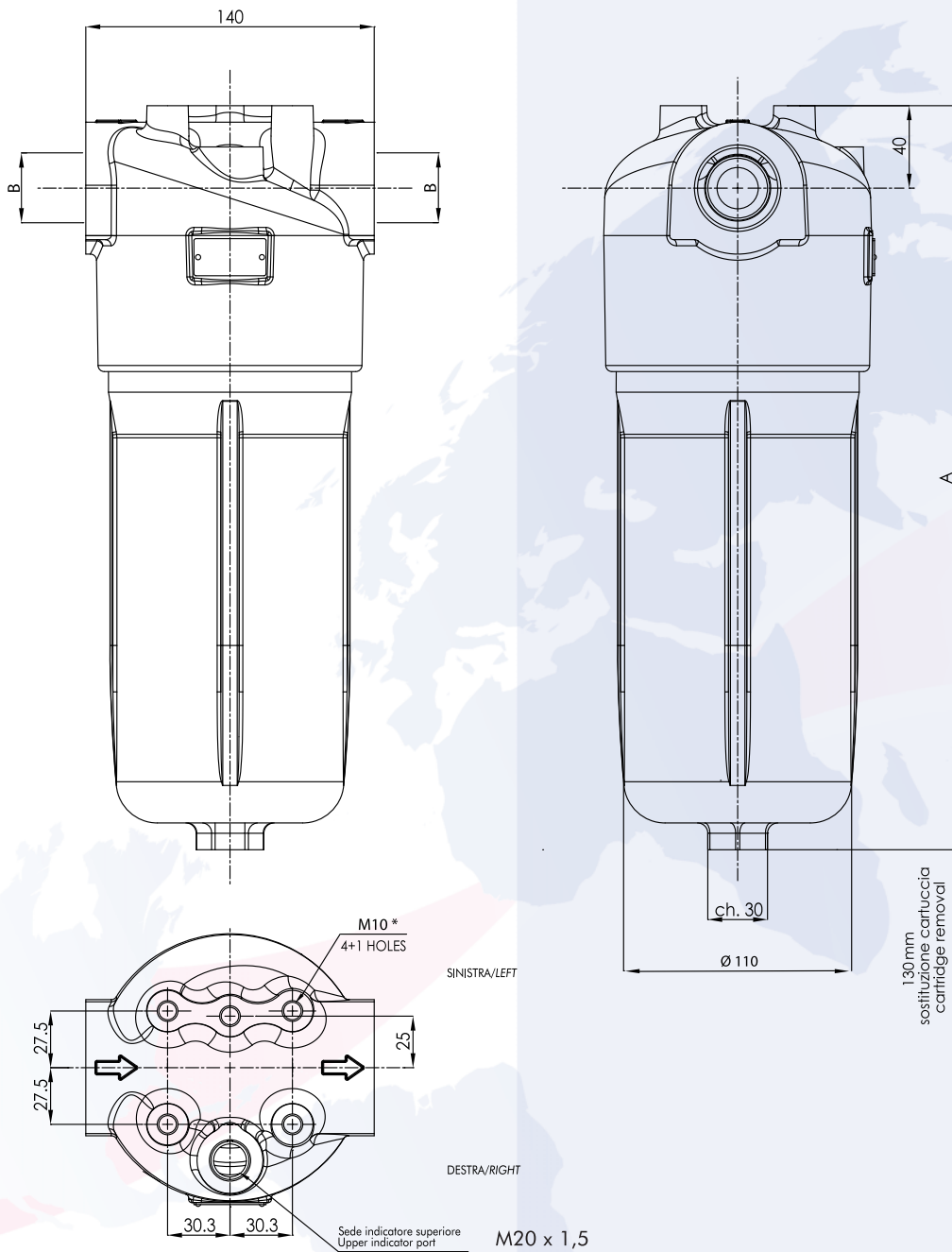
Codice - Code	A	B	Cart. ricambio - Element
F100-XD040	183	1/2" BSP	XD-040
F100-XD063	253	3/4" BSP	XD-063
F100-XD100	332	1" BSP	XD-100

Per NPT contattare l'ufficio commerciale
For NPT please contact sales department

*Per fori di fissaggio UN contattare l'ufficio commerciale
*For UN thread fixing for holes please contact sales department

Informazioni dimensionali - Overall dimensions

F100-XD160 / 250 / 400



1) Grandezza nominale - Nominal size

Codice - Code	A	B	Cart. ricambio - Element
F100-XD160	289	1" 1/4 BSP 1" 1/2 BSP	XD-160
F100-XD250	361		XD-250
F100-XD400	514		XD-400

Per NPT contattare l'ufficio commerciale
For NPT please contact sales department

*Per fori di fissaggio UN contattare l'ufficio commerciale
*For UN thread fixing for holes please contact sales department

2) Grado di filtrazione - Filtration ratings

Codice - Code	Materiale - Media	Efficienza - Efficiency
0	senza cartuccia / no element	-----
G03	microfibra inorganica / microglass fiber	$\beta_{4,5 \mu\text{m (c)}} \geq 1000$
G06	microfibra inorganica / microglass fiber	$\beta_{7 \mu\text{m (c)}} \geq 1000$
G10	microfibra inorganica / microglass fiber	$\beta_{12 \mu\text{m (c)}} \geq 1000$
G15	microfibra inorganica / microglass fiber	$\beta_{18 \mu\text{m (c)}} \geq 1000$
G25	microfibra inorganica / microglass fiber	$\beta_{27 \mu\text{m (c)}} \geq 1000$
C10	carta / cellulose	$\beta_{10 \mu\text{m (c)}} \geq 2$

Solo Δp 21 Bar (305 psi)
 Δp 21 Bar (305 psi) only

3) Collasso cartuccia - Element collapse

Codice - Code	Δp (Bar) - Δp (psi)
A	21Bar / 305 psi
B	210Bar / 3045 psi

4) Guarnizioni - Seals

Codice - Code	Tipo - Type
---	NBR
V	Viton®

5) Conessioni - Connection port

Codice - Code	B	C
B3	1/2" BSP	M10
B4	3/4" BSP	M10
B5	1" BSP	M10
B6	1" 1/4 BSP	M10
B7	1" 1/2 BSP	M10
N3	1/2" NPT	3/8-16 UNC - 2B
N4	3/4" NPT	3/8-16 UNC - 2B
N5	1" NPT	3/8-16 UNC - 2B
N6	1" 1/4 NPT	3/8-16 UNC - 2B
N7	1" 1/2 NPT	3/8-16 UNC - 2B

Su richiesta - On request

6) Valvola di by-pass - By-pass valve

Codice - Code	Taratura - Setting
0	senza / without
D	6 Bar / 87 psi

7) Predisposizione indicatori - Indicator port options

Codice - Code	Posizione - Position
0	senza / without
S	lavorazione per indicatore superiore con tappo di chiusura upper indicator port side with plug

— Su richiesta - On request

8) Indicatori - Indicator

Codice - Code	Tipo indicatore - Indicator type	Taratura - Setting
0	senza / without	-----
Z30	differenziale visivo differential visual switch	5 Bar 72.5 psi
Z31	differenziale visivo elettrico differential electrical visual	5 Bar 72.5 psi
Z32	differenziale visivo differential visual switch	8 Bar 116 psi
Z33	differenziale visivo elettrico differential electrical visual	8 Bar 116 psi

Codici per l'ordinazione - Ordering information

Filtro completo
Filter assembly

F100-XD	100	G10	A	V	B3	D	S	Z31
	1*	2*	3*	4*	5*	6*	7*	8*

Cartuccia
Filter element

XD	100	G10	A	V
	1*	2*	3*	4*

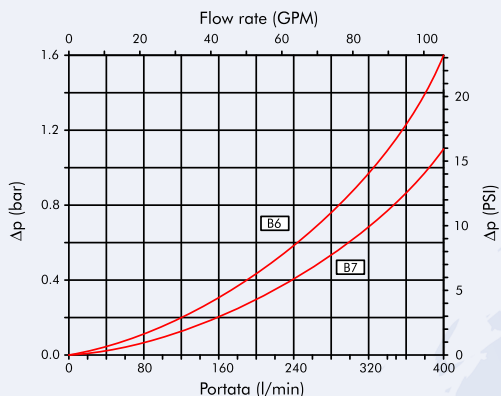
* Viton® è un marchio registrato da DuPont - Viton® is a registered trademark of DuPont
Sono possibili variazioni al catalogo senza preavviso - Catalogue may change without notice

Curve di portata - Pressure drop charts

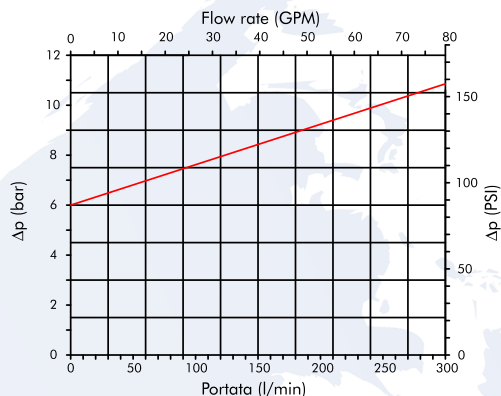
Le curve (secondo ISO 3968 classe B) sono ottenute con olio minerale avente viscosità di 30 cSt e densità di 0,86 Kg/dm³. Per viscosità e densità diverse i dati variano.

Pressure drop charts (as per ISO 3968 class B) are obtained using mineral oil with 30 cSt viscosity and 0,86 Kg/dm³ density. With different values of viscosity and density data may vary.

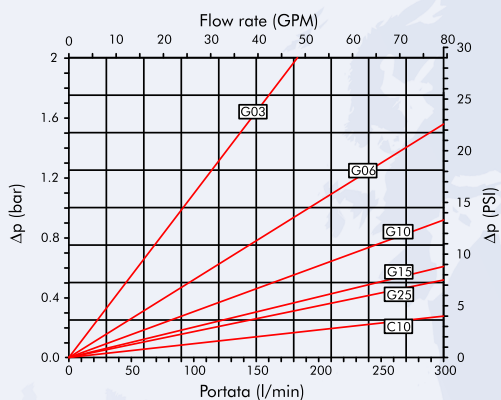
Filtro F100-XD160-250-400
Housing F100-XD160-250-400



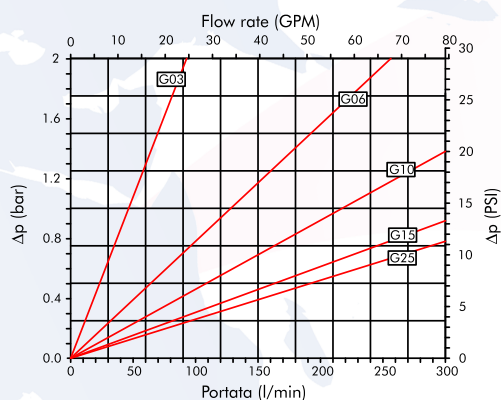
By-pass F100-XD160-250-400
By-pass F100-XD160-250-400



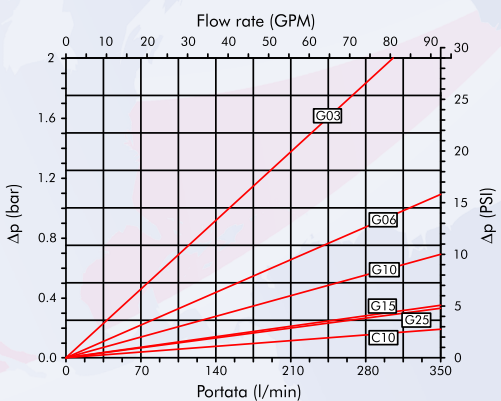
XD-160-...-A



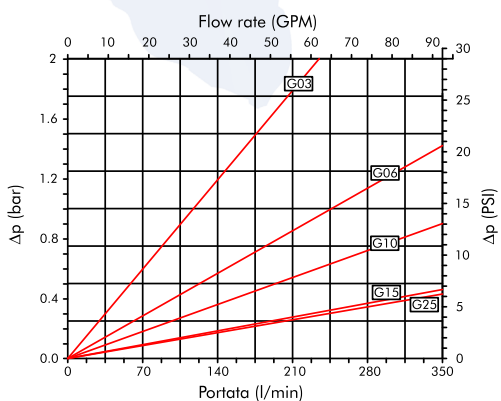
XD-160-...-B



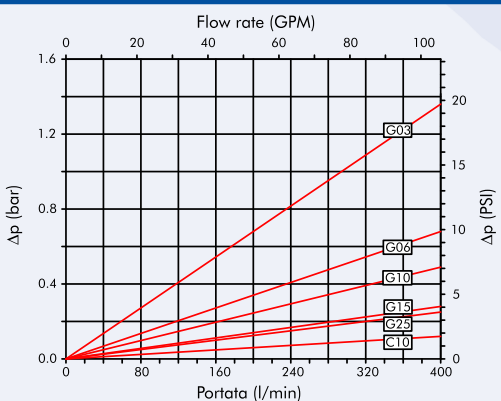
XD-250-...-A



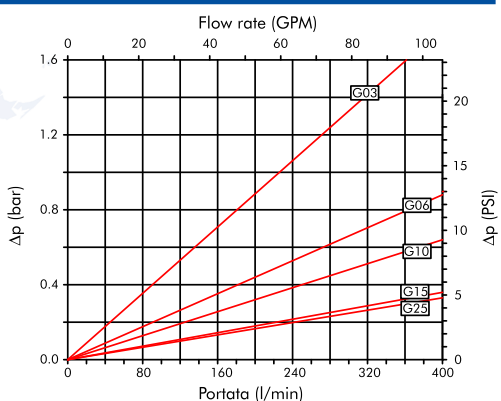
XD-250-...-B



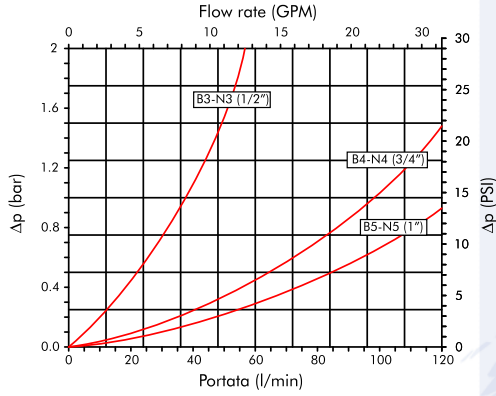
XD-400-...-A



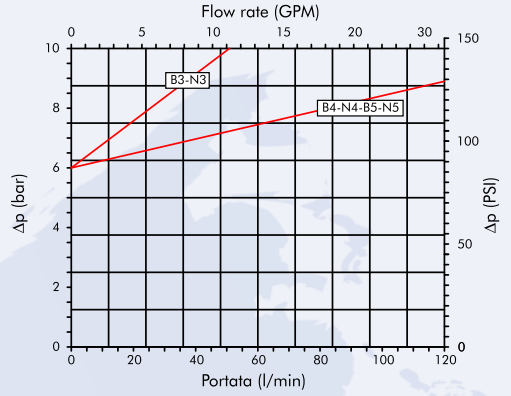
XD-400-...-B



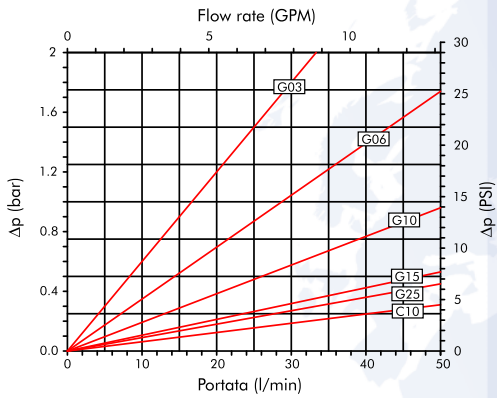
Filtro F100-XD040-063-100
Housing F100-XD040-063-100



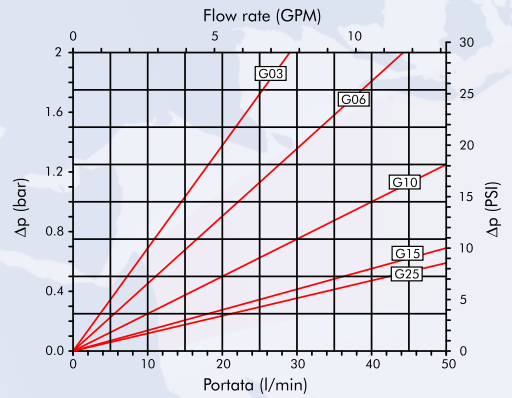
By-pass F100-XD040-063-100
By-pass F100-XD040-063-100



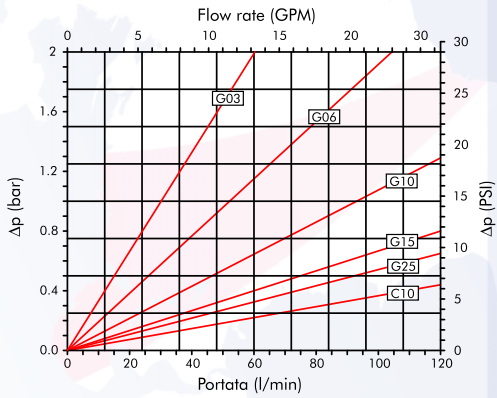
XD-040-....-A



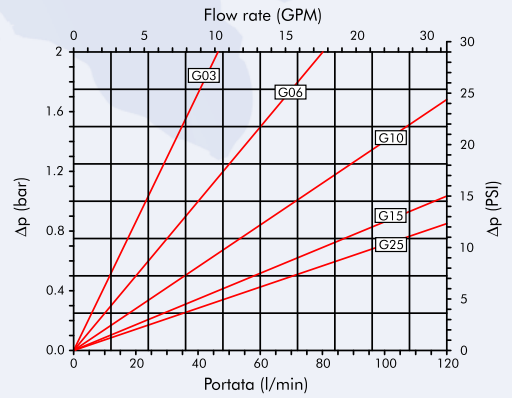
XD-040-....-B



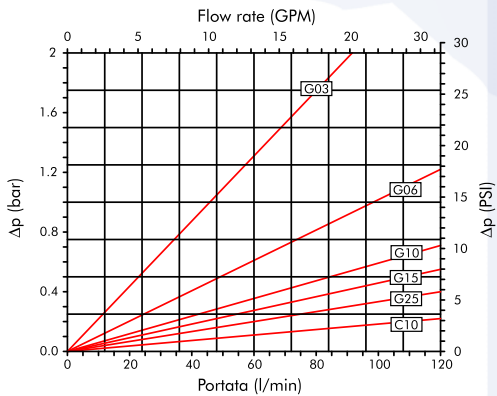
XD-063-....-A



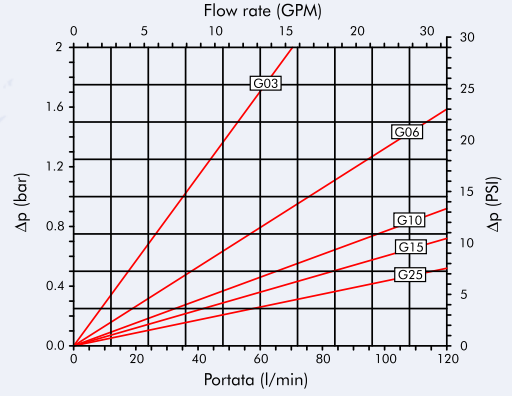
XD-063-....-B



XD-100-....-A



XD-100-....-B



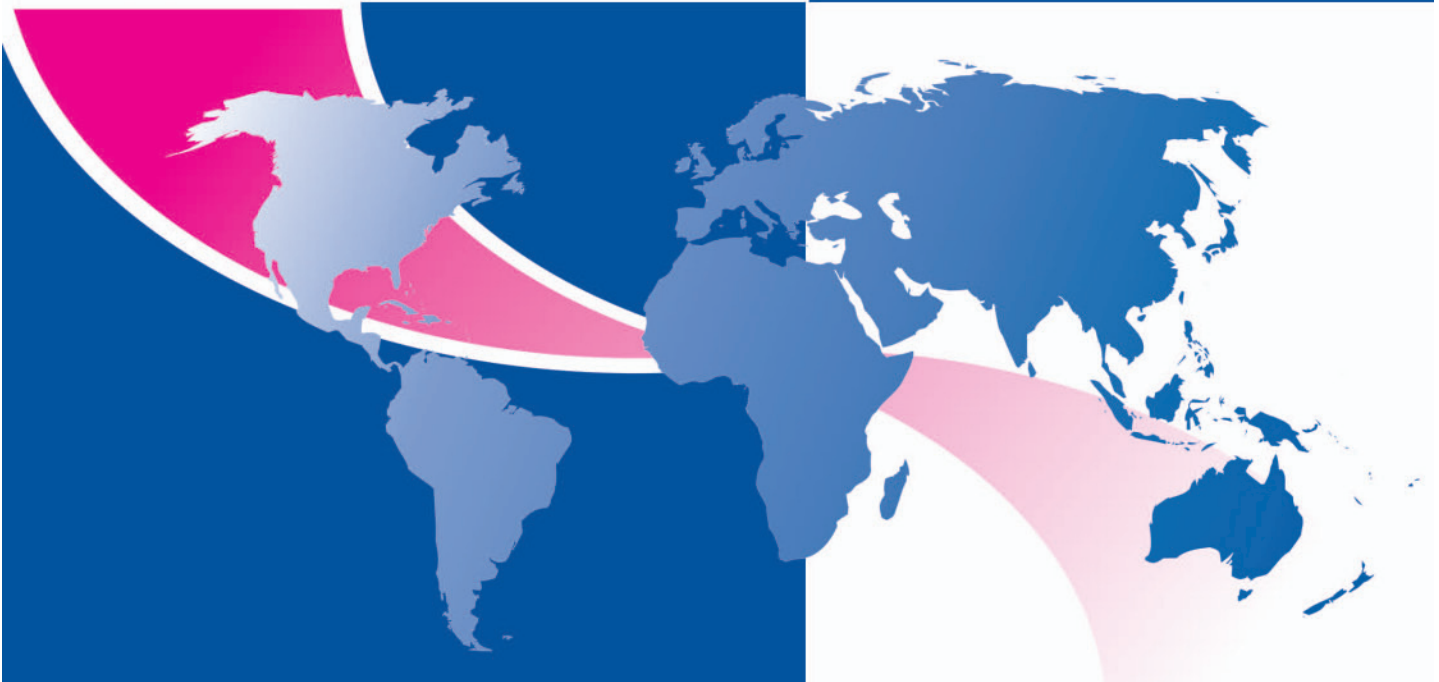


 
FILTRAZIONE IDRAULICA
HYDRAULIC FILTRATION



FILTREC[®]
Technical Filtration

serie
FD-3



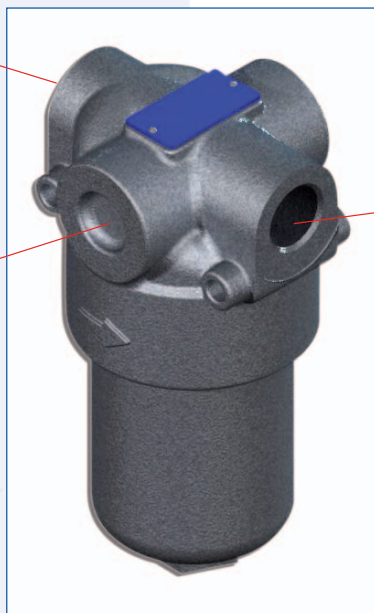
50% OFF ALL PRICES

FILTREC – TECHNICAL FILTRATION • 715

FD-3-10

INGRESSO - INLET

PREDISPOSIZIONE STANDARD
INDICATORE DIFFERENZIALE
STANDARD DIFFERENTIAL
INDICATOR PORT



USCITA - OUTLET

FD-3-11

INGRESSO - INLET

PREDISPOSIZIONE STANDARD
INDICATORE DIFFERENZIALE
STANDARD DIFFERENTIAL
INDICATOR PORT



USCITA - OUTLET

Serie FD-3

Filtri in linea per le medie pressioni
In line medium pressure filters



FILTER HOUSING

Description:
Max flow rate:
Max working pressure:
Test pressure:
Burst pressure:
Fatigue test:
Connection Ports:
By-pass:
Indicator:
Working temperature:
Materials:

Fluids compatibility:
vegetable oils. With other fluid

Technical Information

In line medium pressure filter assembly with reusable or disposable element.
40 l/min (10,5 gpm)
As per NFPA T 3.10.5.1: 110 Bar (1595 psi)
As per NFPA T 3.10.5.1: 160 Bar (2320 psi)
As per NFPA T 3.10.5.1: 330 Bar (4785 psi)
≥ 1.000.000 cycles 0-80 Bar, as per NFPA T 3.10.5.1
BSP, NPT
No by-pass or 6 Bar (87 psi) setting
Differential visual and differential electrical visual , 5 Bar (72.5 psi) setting.
-25°C +120°C (-13°F +248°F)
• Head: aluminium
• Bowl: aluminium
• Seal: Buna-N / Viton®

ISO 2943: Filter assembly compatible with mineral oils and some synthetic or applications please contact Filtrec S.p.A.

FILTER ELEMENT

Filter media:

Collapse pressure:

Microglass fiber 3,6,10,25 µm
Cellulose 10,25 µm
Wire mesh 10, 25, 60, 125 µm
as per ISO 2941: 21 Bar (305 psi)

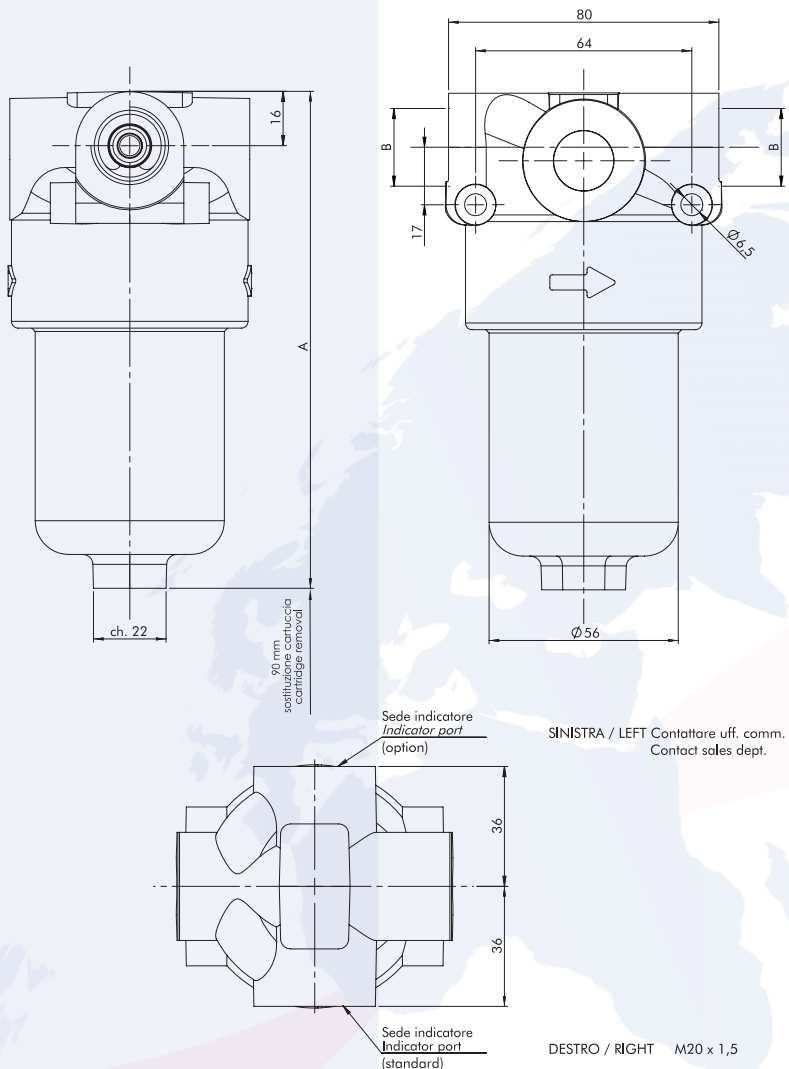
DESCRIPTION	ORDER CODE	PORTS	FLOW RATE	PRICE	ELEMENT	PRICE
COMPLETE WITH LOW COLLAPSE ELEMENT, VISUAL INDICATOR AND BYPASS						
10 MICRON CELLULOSE						
FD-3-10-C10-A-B3-D-T-Z12	ZZ004926	1/2" BSP	40 L/MIN	£169.64	D310C10A	£30.48
FD-3-11-C10-A-B3-D-T-Z12	ZZ004927	1/2" BSP	50 L/MIN	£202.91	D311C10A	£34.98
10 MICRON FIBREGLASS						
FD-3-10-G10-A-B3-D-T-Z12	ZZ004928	1/2" BSP	30 L/MIN	£187.58	D310G10A	£34.98
FD-3-11-G10-A-B3-D-T-Z12	ZZ004929	1/2" BSP	40 L/MIN	£218.11	D311G10A	£50.88
25 MICRON FIBREGLASS						
FD-3-10-G25-A-B3-D-T-Z12	ZZ004930	1/2" BSP	35 L/MIN	£182.06	D310G25A	£31.80
FD-3-11-G25-A-B3-D-T-Z12	ZZ004931	1/2" BSP	45 L/MIN	£215.18	D311G25A	£42.40

THE GIVEN FLOW RATE VALUES REFER TO APPLICATIONS WITH MINERAL OIL HAVING VISCOSITY OF 30 CST AT WORKING TEMPERATURE. FOR APPLICATIONS WITH DIFFERENT FLUID OR WORKING CONDITIONS, A CORRECTIVE FACTOR MUST BE APPLIED BY REFERING TO THE TECHNICAL INFORMATION.

OPTIONAL EXTRAS

	PRICE
VITON SEALS	POA
Z13 DIFFERENTIAL ELECTRICAL VISUAL INDICATOR 5 BAR 72.5 PSI	£65.13

Informazioni dimensionali - Overall dimensions



1) Grandezza nominale - Nominal size

Codice - Code	A	B	Cart. Rambio - Repl. Element
FD-3-10	147	1/2" BSP	D-3-10
FD-3-11	236	1/2" NPT	D-3-11

2) Grado di filtrazione - Filtration ratings

Codice - Code	Materiale - Media	Efficienza - Efficiency
0	senza cartuccia / no element	-----
G03	microfibra inorganica / microglass fiber	$\beta_{4,5 \mu\text{m} (c)} \geq 1000$
G06	microfibra inorganica / microglass fiber	$\beta_{7 \mu\text{m} (c)} \geq 1000$
G10	microfibra inorganica / microglass fiber	$\beta_{12 \mu\text{m} (c)} \geq 1000$
G25	microfibra inorganica / microglass fiber	$\beta_{27 \mu\text{m} (c)} \geq 1000$
C10	carta trattata / resin impregnated cellulose	$\beta_{10 \mu\text{m} (c)} \geq 2$
C25	carta trattata / resin impregnated cellulose	$\beta_{25 \mu\text{m} (c)} \geq 2$
T10	tela metallica / wire mesh	-----
T25	tela metallica / wire mesh	-----
T60	tela metallica / wire mesh	-----
T125	tela metallica / wire mesh	-----

3) Guarnizioni - Seals

Codice - Code	Tipo - Type
---	NBR
V	Viton®

4) Conessioni - Connection port

Codice - Code	Connessione - Connection
B3	1/2" BSP
N3	1/2" NPT

5) Valvola di by-pas - By-pass valve

Codice - Code	Taratura - Setting
0	senza / without
D	6 Bar / 87 psi

6) Predisposizione indicatori - Indicator port options

Codice - Code	Posizione - Position
0	senza / without
T	lavorazione per indicatore lato destro - con tappo di chiusura <i>indicators port on the right side with plug</i>
D	lavorazione per indicatore lato destro - nessun tappo di chiusura <i>indicators port on the right side without plug</i>

7) Indicatori - Indicator

Codice - Code	Tipo indicatore - Indicator type	Efficienza - Efficiency
0	senza / without	-----
Z12	differenziale visivo <i>differential visual switch</i>	5 Bar 72.5 psi
Z13	differenziale visivo elettrico <i>differential electrical visual</i>	5 Bar 72.5 psi

Codici per l'ordinazione - Ordering information

Filtro completo
Filter assembly

FD-3

10	G10	A	V	B3	D	T	Z12
1*	2*		3*	4*	5*	6*	7*

Cartuccia
Filter element

D-3

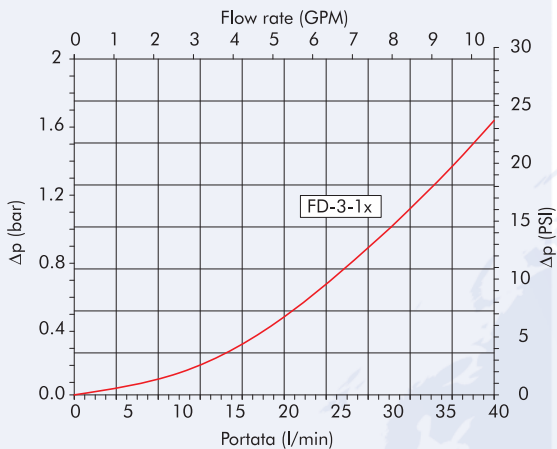
10	G10	A	V
1*	2*		3*

Curve di portata - Pressure drop charts

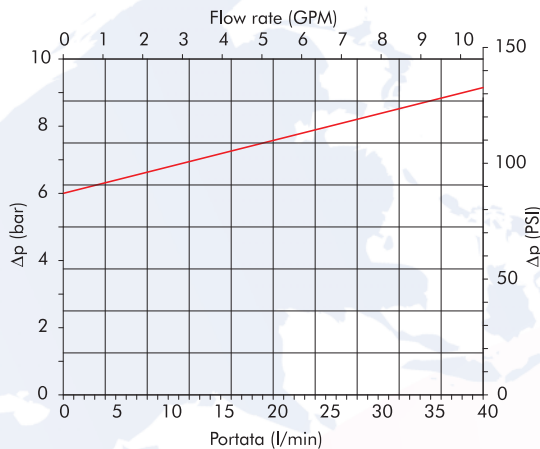
Le curve (secondo ISO 3968 classe B) sono ottenute con olio minerale avente viscosità di 30 cSt e densità di 0,86 Kg/dm³. Per viscosità e densità diverse i dati variano.

Pressure drop charts (as per ISO 3968 class B) are obtained using mineral oil with 30 cSt viscosity and 0,86 Kg/dm³ density. With different values of viscosity and density data may vary.

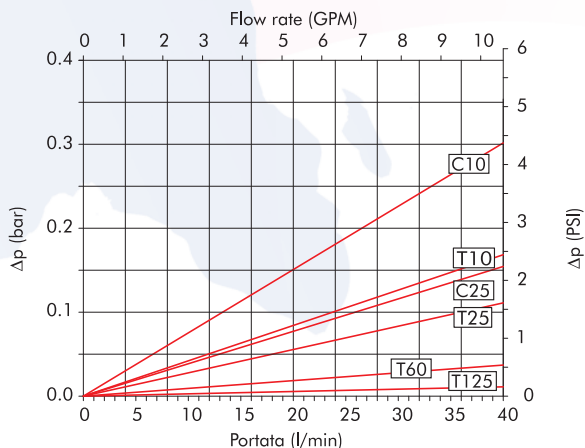
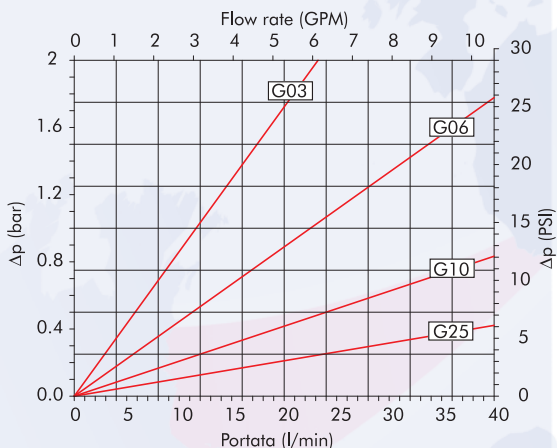
Filtro Housing



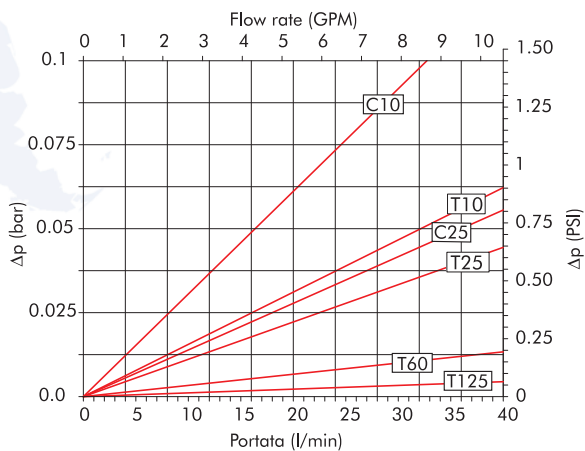
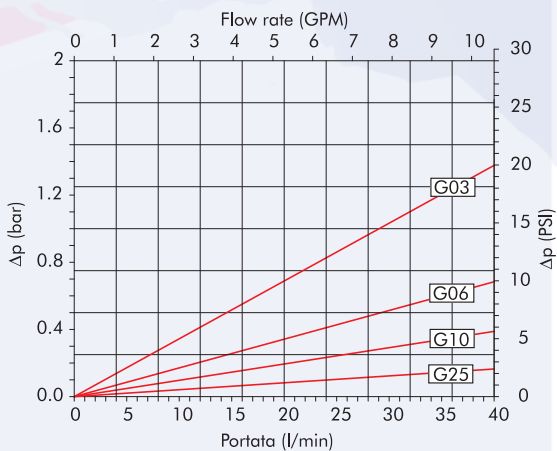
By-pass



D-3-10-...-A



D-3-11-...-A



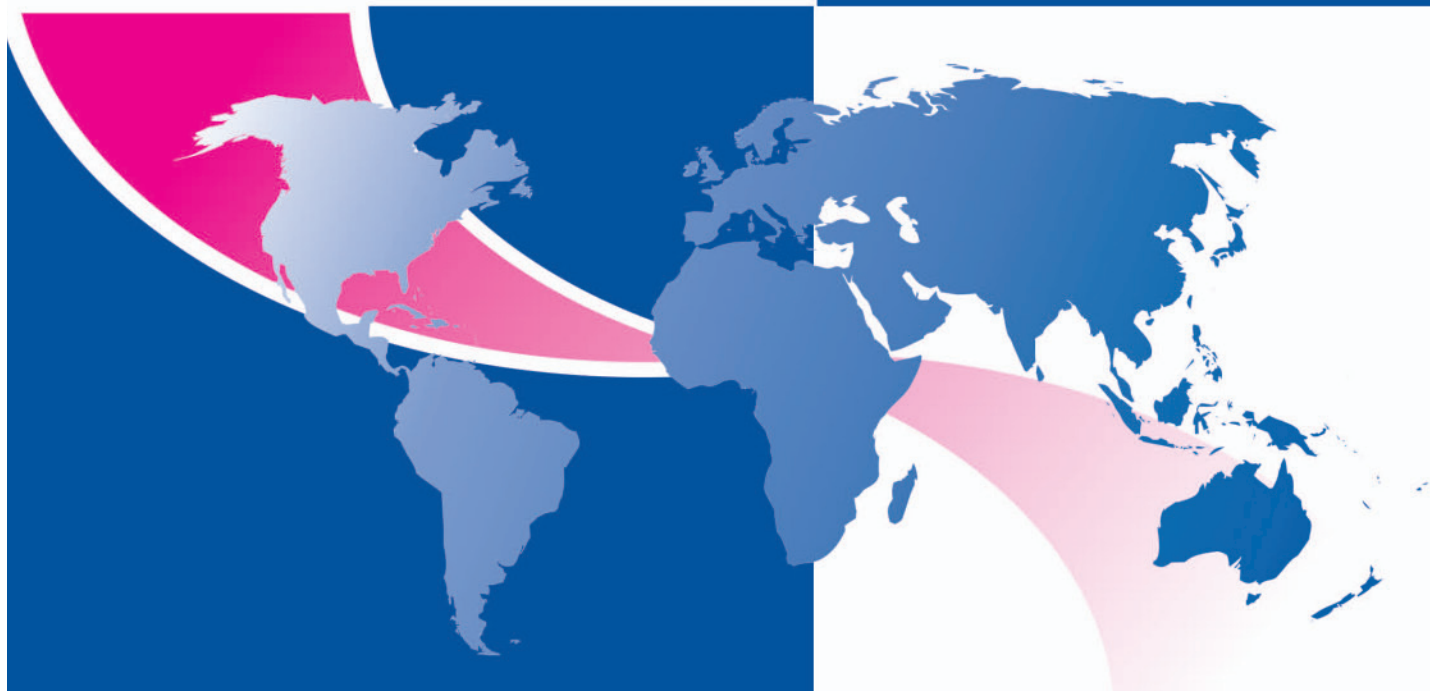


FILTRAZIONE IDRAULICA 
HYDRAULIC FILTRATION 



FILTREC[®]
Technical Filtration

serie
F160-XD



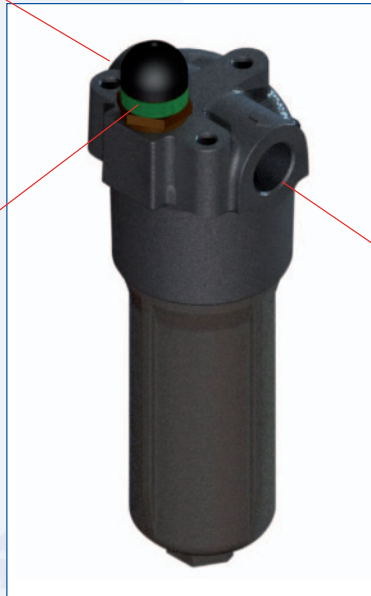
50% OFF ALL PRICES

FILTREC – TECHNICAL FILTRATION • 721

INGRESSO - INLET

F160-XD040 / 063 / 100

POSIZIONE STANDARD
INDICATORE DIFFERENZIALE
STANDARD POSITION
DIFFERENTIAL INDICATOR



USCITA - OUTLET

F160-XD160 / 250 / 400

INGRESSO - INLET

POSIZIONE STANDARD
INDICATORE DIFFERENZIALE
STANDARD POSITION
DIFFERENTIAL INDICATOR



USCITA - OUTLET

Serie F160

Filtri in linea per media pressione
In line medium pressure filters



FILTER HOUSING

Description:

Max flow rate:

Max working pressure:

Test pressure:

Burst pressure:

Connection Ports:

By-pass:

Working temperature:

Materials:

Fluids compatibility:

Technical Information

In line medium pressure filter assembly with cleanable or disposable elements
400 l/min (105.5 gpm)

As per NFPA T 3.10.5.1: 160 Bar (2320 psi)

As per NFPA T 3.10.5.1: 240 Bar (3480 psi)

As per NFPA T 3.10.5.1: 480 Bar (6962 psi)

BSP, NPT

No By-pass or 6 Bar (87 psi) setting

-25°C +120°C (-13°F +248°F)

- Head: Cast iron
- Bowl: Aluminium
- Seal: Buna-N / Viton®

ISO 2943: Filter assembly compatible with mineral oils and some synthetic or vegetable oils. With other fluid applications please contact Filtrec S.p.A.

FILTER ELEMENT

Filter media:

Collapse pressure:

Filter element dimensions according to DIN 24550

Microglass fiber 3, 6, 10, 15, 25 µ, cellulose 10 µ

As per ISO 2941: 21 Bar (305 psi) and 210 Bar (3045 psi)

DESCRIPTION	ORDER CODE	MEDIA	PORTS	FLOW RATE	PRICE	ELEMENT	PRICE
COMPLETE WITH LOW COLLAPSE ELEMENTS, VISUAL INDICATOR AND BYPASS VALVE							
F160-XD040-G10-A-B5-D-S-Z30	ZZ004932	10 MICRON FIBREGLASS	1" BSP	40 L/MIN	£273.55	XD040G10A	£84.88
F160-XD063-G10-A-B5-D-S-Z30	ZZ004933	10 MICRON FIBREGLASS	1" BSP	60 L/MIN	£283.20	XD063G10A	£89.21
F160-XD100-G10-A-B5-D-S-Z30	ZZ004934	10 MICRON FIBREGLASS	1" BSP	100 L/MIN	£300.82	XD100G10A	£99.25
F160-XD160-G10-A-B7-D-S-Z30	ZZ004935	10 MICRON FIBREGLASS	1 1/2" BSP	160 L/MIN	£461.10	XD160G10A	£120.84
F160-XD250-G10-A-B7-D-S-Z30	ZZ004936	10 MICRON FIBREGLASS	1 1/2" BSP	250 L/MIN	£487.68	XD250G10A	£120.84
F160-XD400-G10-A-B7-D-S-Z30	ZZ004937	10 MICRON FIBREGLASS	1 1/2" BSP	400 L/MIN	£618.53	XD400G10A	£219.16
F160-XD063-G25-A-B3-D-S-Z30	ZZ004938	25 MICRON FIBREGLASS	1/2" BSP	60 L/MIN	£283.20	XD063G25A	£89.21
F160-XD063-G25-A-B5-D-S-Z30	ZZ004939	25 MICRON FIBREGLASS	1" BSP	100 L/MIN	£283.20	XD063G25A	£89.21
F160-XD100-G25-A-B5-D-S-Z30	ZZ004940	25 MICRON FIBREGLASS	1" BSP	160 L/MIN	£300.82	XD100G25A	£99.25
F160-XD160-G25-A-B7-D-S-Z30	ZZ004941	25 MICRON FIBREGLASS	1 1/2" BSP	200 L/MIN	£461.10	XD160G25A	£120.84
F160-XD250-G25-A-B7-D-S-Z30	ZZ004942	25 MICRON FIBREGLASS	1 1/2" BSP	300 L/MIN	£487.68	XD250G25A	£120.84
F160-XD400-G25-A-B7-D-S-Z30	ZZ004943	25 MICRON FIBREGLASS	1 1/2" BSP	400 L/MIN	£816.67	XD400G25A	£219.16

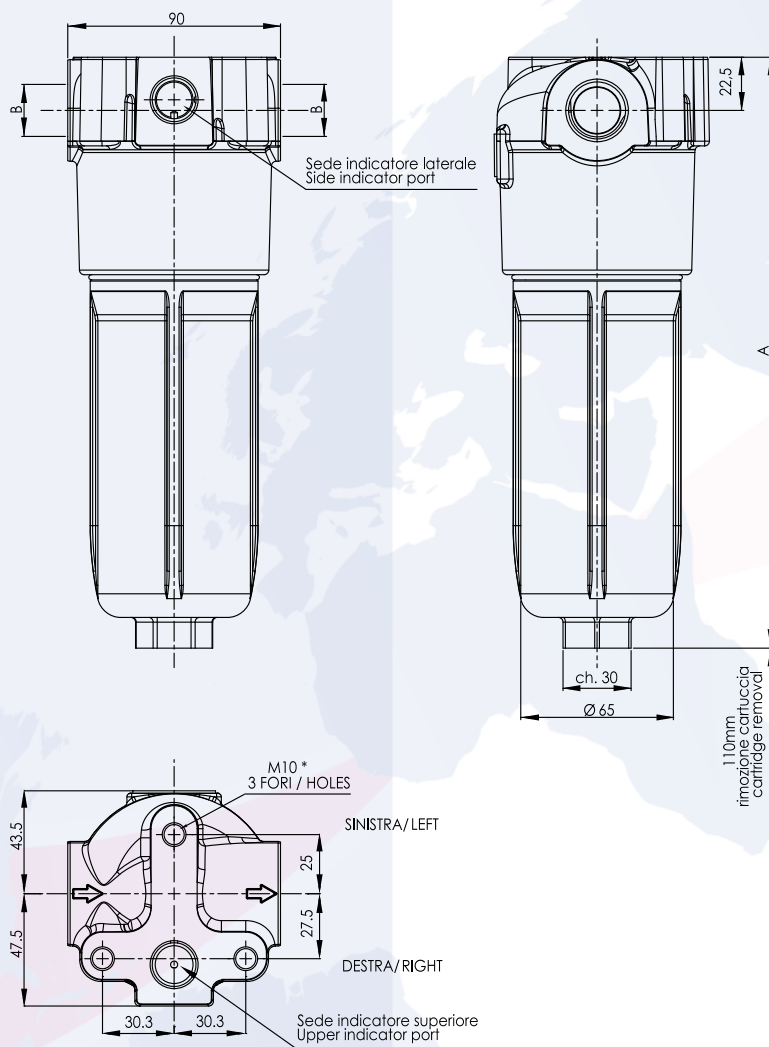
THE GIVEN FLOW RATE VALUES REFER TO APPLICATIONS WITH MINERAL OIL HAVING VISCOSITY OF 30 CST AT WORKING TEMPERATURE. FOR APPLICATIONS WITH DIFFERENT FLUID OR WORKING CONDITIONS, A CORRECTIVE FACTOR MUST BE APPLIED BY REFERING TO THE TECHNICAL INFORMATION.

OPTIONAL EXTRAS

INDICATORS	PRICE
Z31 DIFFERENTIAL ELECTRICAL VISUAL 5 BAR 72.5PSI	£65.13
Z32 DIFFERENTIAL VISUAL SWITCH 8 BAR 116 PSI	£47.32
Z33 DIFFERENTIAL ELECTRICAL VISUAL 8 BAR 116 PSI	£65.13

Informazioni dimensionali - Overall dimensions

F160-XD040 / 063 / 100



1) Grandezza nominale - Nominal size

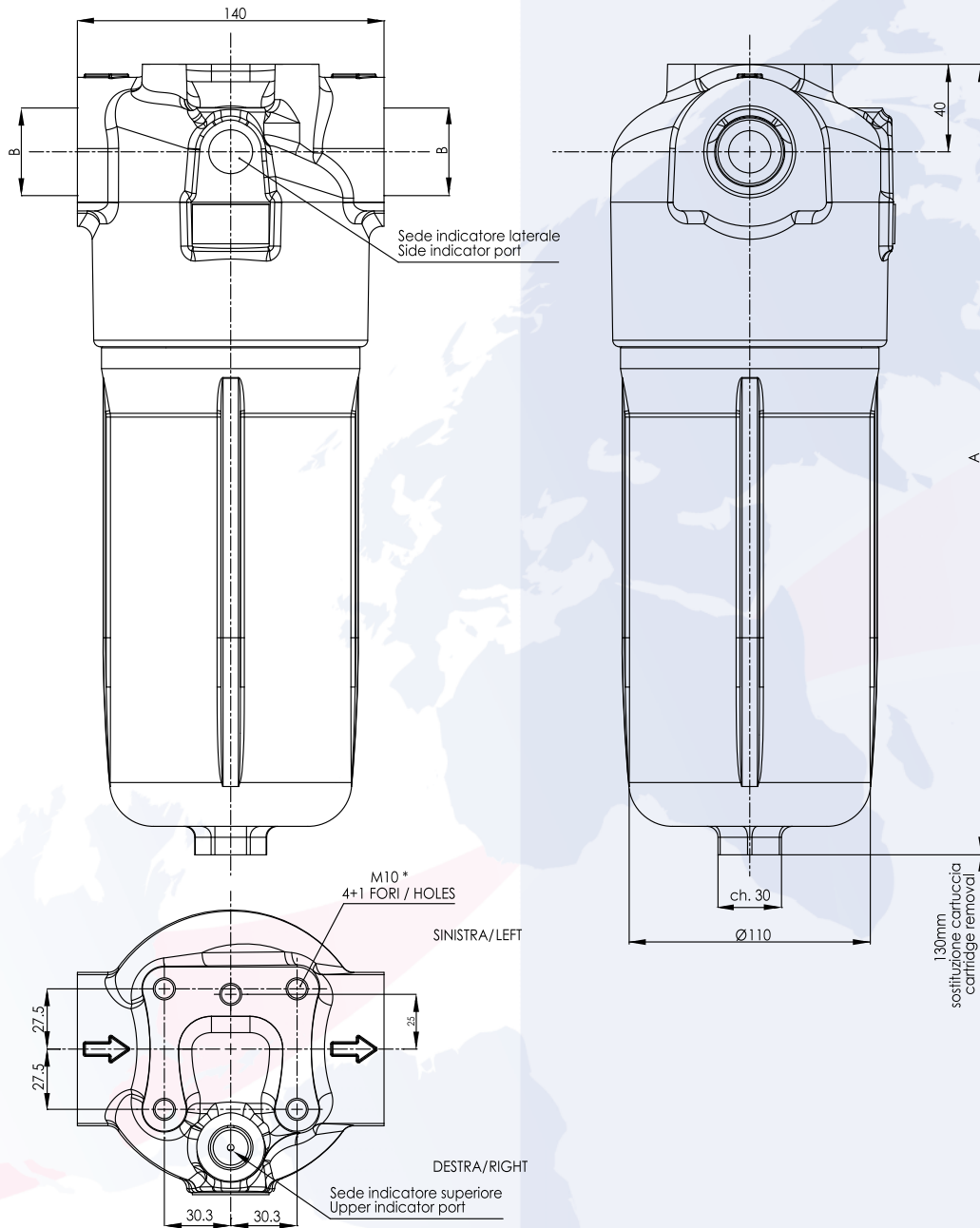
Codice - Code	A	B	Cart. ricambio- Element
F160-XD040	180	1/2" BSP	XD-040
F160-XD063	250	3/4" BSP	XD-063
F160-XD100	329	1" BSP	XD-100

Per NPT contattare l'ufficio commerciale
For NPT please contact sales department

*Per fori di fissaggio UN contattare l'ufficio commerciale
*For UN thread fixing for holes please contact sales department

Informazioni dimensionali - Overall dimensions

F160-XD160 / 250 / 400



1) Grandezza nominale - Nominal size

Codice - Code	A	B	Cart. ricambio- Element
F160-XD160	289		XD-160
F160-XD250	361	1" 1/4 BSP / NPT	XD-250
F160-XD400	514	1" 1/2 BSP / NPT	XD-400

Per NPT contattare l'ufficio commerciale
For NPT please contact sales department

*Per fori di fissaggio UN contattare l'ufficio commerciale
*For UN thread fixing for holes please contact sales department

2) Grado di filtrazione - Filtration ratings

Codice - Code	Materiale - Media	Efficienza - Efficiency
0	senza cartuccia / no element	-----
G03	microfibra inorganica / microglass fiber	$\beta_{4,5 \mu\text{m (c)}} \geq 1000$
G06	microfibra inorganica / microglass fiber	$\beta_{7 \mu\text{m (c)}} \geq 1000$
G10	microfibra inorganica / microglass fiber	$\beta_{12 \mu\text{m (c)}} \geq 1000$
G15	microfibra inorganica / microglass fiber	$\beta_{18 \mu\text{m (c)}} \geq 1000$
G25	microfibra inorganica / microglass fiber	$\beta_{27 \mu\text{m (c)}} \geq 1000$
C10	carta / cellulose	$\beta_{10 \mu\text{m (c)}} \geq 2$

Solo Δp 21 Bar
 Δp 21 Bar (305 psi) only

3) Collasso cartuccia - Element collapse

Codice - Code	Δp (Bar) - Δp (psi)
A	21Bar / 305 psi
B	210Bar / 3045 psi

4) Guarnizioni - Seals

Codice - Code	Tipo - Type
---	NBR
V	Viton®

5) Connesioni - Connection port

Codice - Code	B	C
B3	1/2" BSP	M10
B4	3/4" BSP	M10
B5	1" BSP	M10
B6	1" 1/4 BSP	M10
B7	1" 1/2 BSP	M10
N3	1/2" NPT	3/8-16 UNC - 2B
N4	3/4" NPT	3/8-16 UNC - 2B
N5	1" NPT	3/8-16 UNC - 2B
N6	1" 1/4 NPT	3/8-16 UNC - 2B
N7	1" 1/2 NPT	3/8-16 UNC - 2B

Su richiesta - On request

6) Valvola di by-pass - By-pass valve

Codice - Code	Taratura - Setting
0	senza / without
D	6 Bar / 87 psi

7) Predisposizione indicatori - Indicator port options

Codice - Code	Posizione - Position
0	senza / without
T	lavorazione per indicatore lato destro con tappo di chiusura indicator port on the right side with plug
S	lavorazione per indicatore superiore con tappo di chiusura upper indicator port side with plug

Su richiesta - On request

8) Indicatori - Indicator

Codice - Code	Tipo indicatore - Indicator type	Taratura - Setting
0	senza / without	-----
Z30	differenziale visivo differential visual switch	5 Bar 72.5 psi
Z31	differenziale visivo elettrico differential electrical visual	5 Bar 72.5 psi
Z32	differenziale visivo differential visual switch	8 Bar 116 psi
Z33	differenziale visivo elettrico differential electrical visual	8 Bar 116 psi

Codici per l'ordinazione - Ordering information

Filtro completo
Filter assembly

F160-XD

100	G10	A	V	B3	D	S	Z31
1*	2*	3*	4*	5*	6*	7*	8*

Cartuccia
Filter element

XD

100	G10	A	V
1*	2*	3*	4*

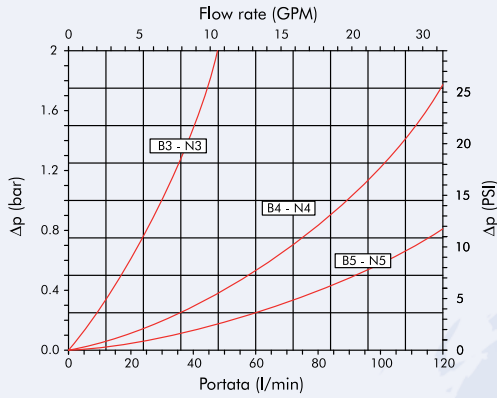
* Viton® è un marchio registrato da DuPont - Viton® is a registered trademark of DuPont
Sono possibili variazioni al catalogo senza preavviso - Catalogue may change without notice

Curve di portata - Pressure drop charts

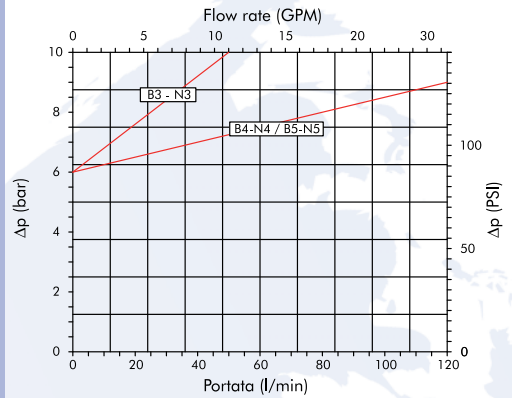
Le curve (secondo ISO 3968 classe B) sono ottenute con olio minerale avente viscosità di 30 cSt e densità di 0,86 Kg/dm³. Per viscosità e densità diverse i dati variano.

Pressure drop charts (as per ISO 3968 class B) are obtained using mineral oil with 30 cSt viscosity and 0,86 Kg/dm³ density. With different values of viscosity and density data may vary.

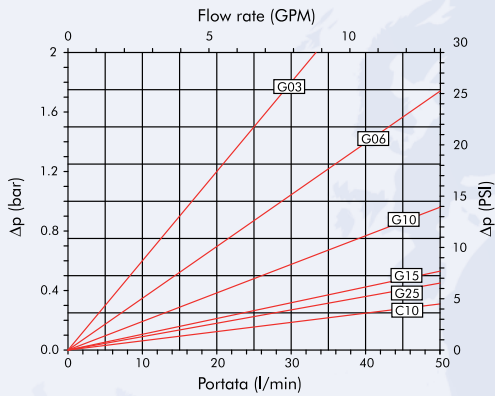
Filtro F100-XD040-063-100
Housing F100-XD040-063-100



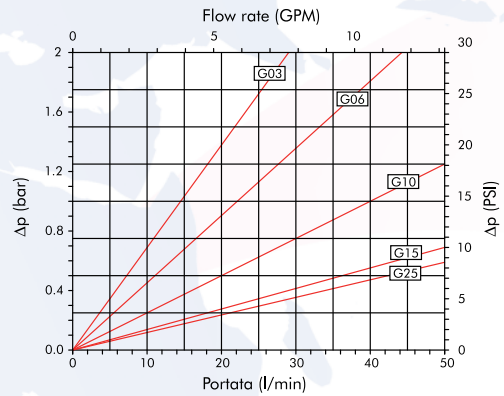
By-pass F100-XD040-063-100
By-pass F100-XD040-063-100



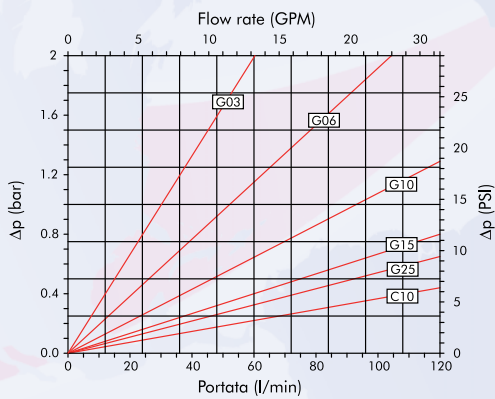
XD-040-...-A



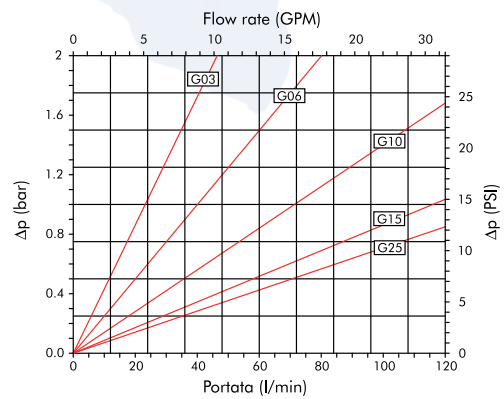
XD-040-...-B



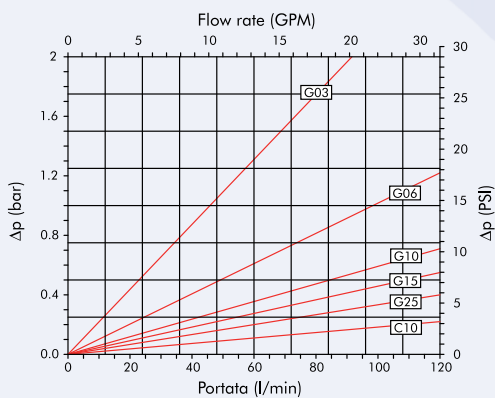
XD-063-...-A



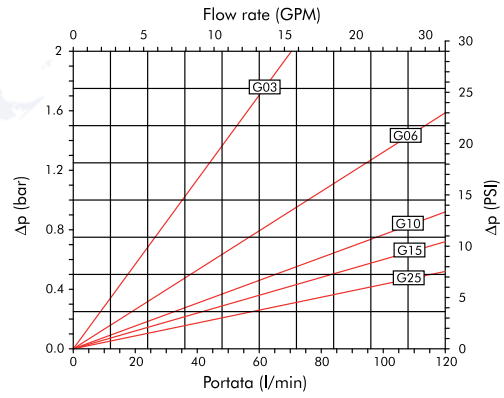
XD-063-...-B



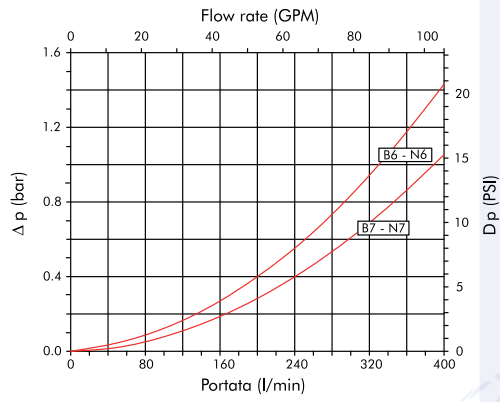
XD-100-...-A



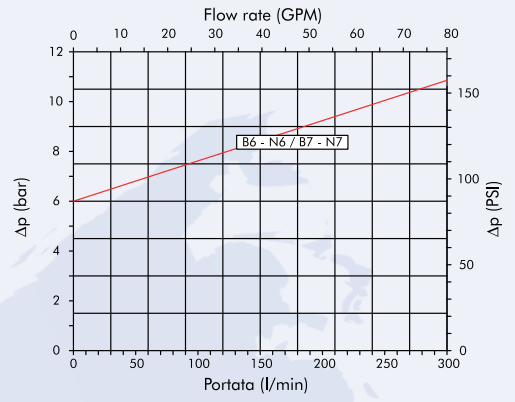
XD-100-...-B



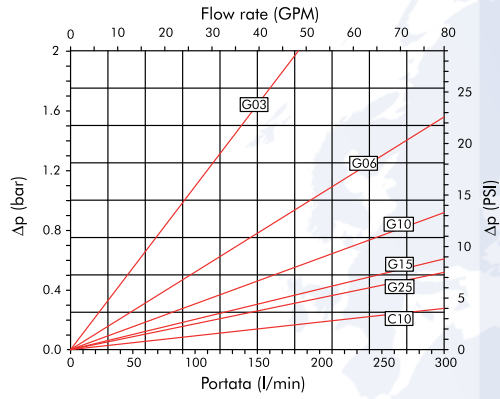
Filtro F160-XD160-250-400
Housing F160-XD160-250-400



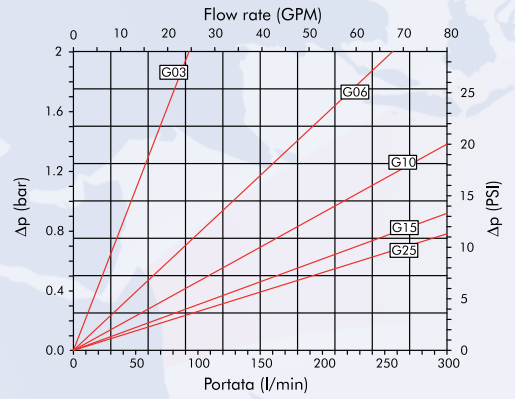
By-pass F160-XD160-250-400
By-pass F160-XD160-250-400



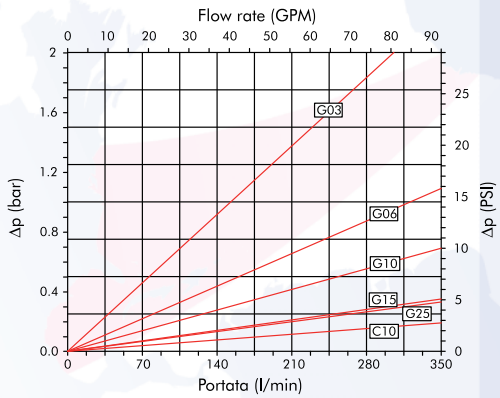
XD-160-....-A



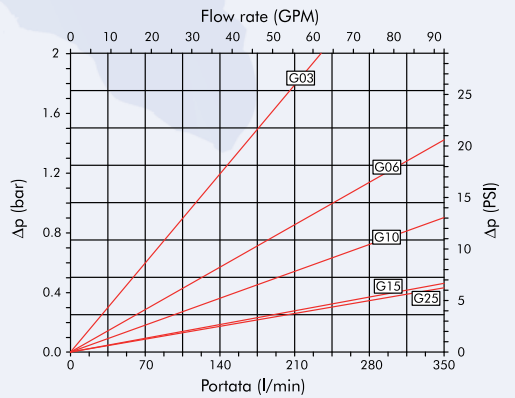
XD-160-....-B



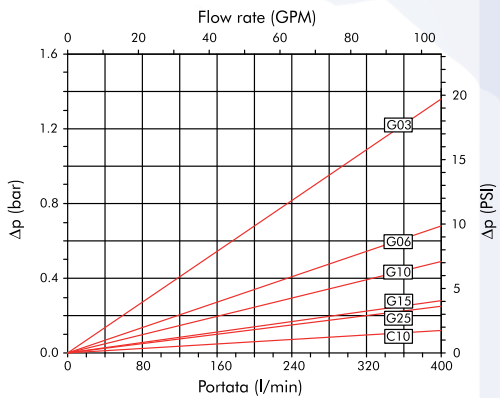
XD-250-....-A



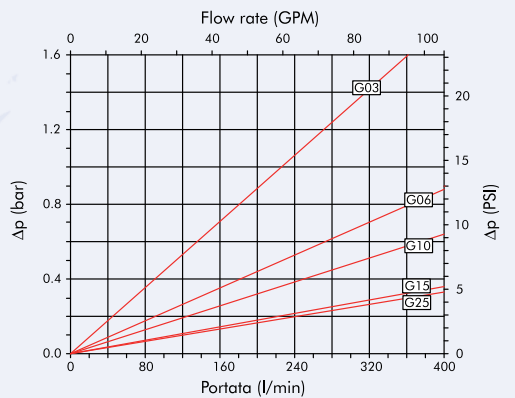
XD-250-....-B



XD-400-....-A



XD-400-....-B



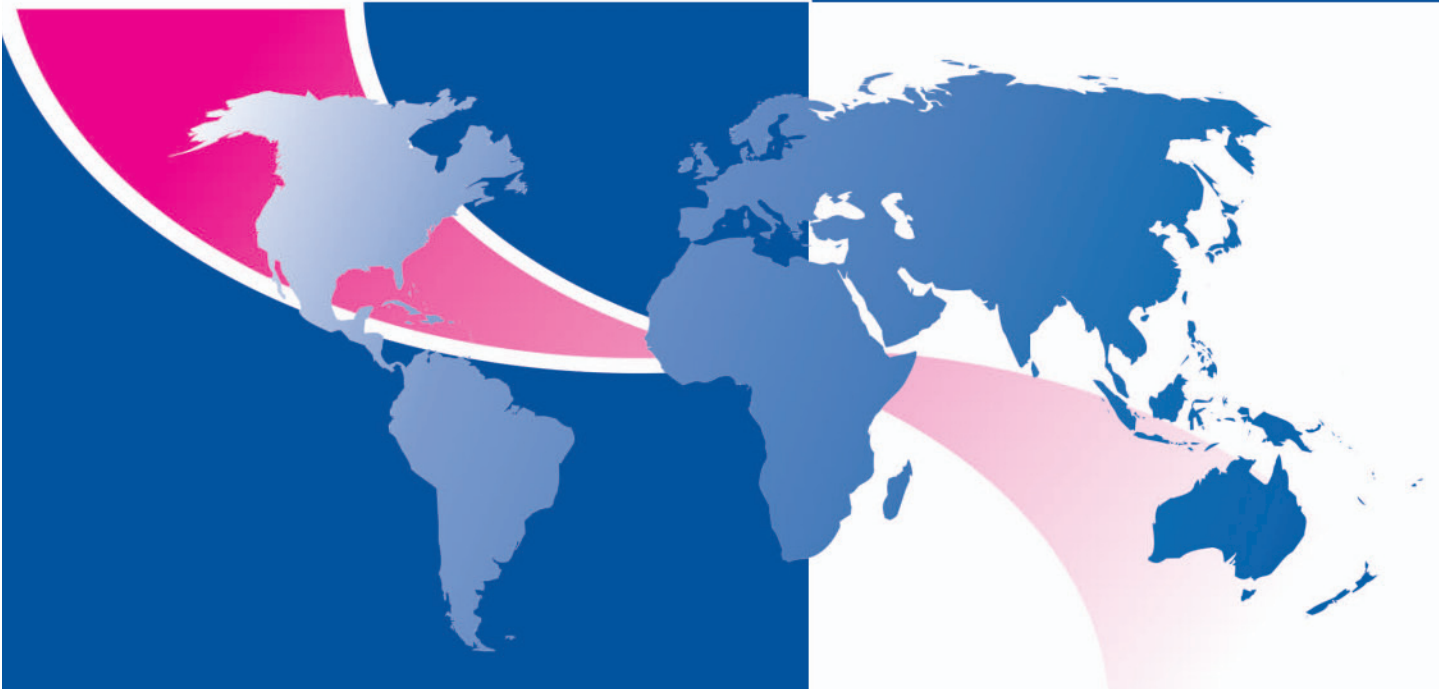


 
FILTRAZIONE IDRAULICA
HYDRAULIC FILTRATION



FILTREC[®]
Technical Filtration

serie
F280-D1



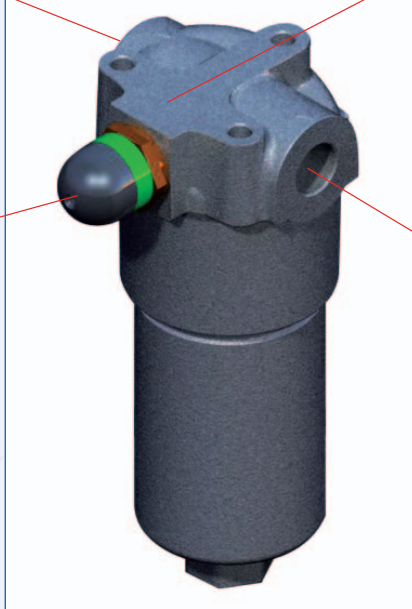
INGRESSO - INLET

F280-D120 / D124 / D121

POSIZIONE STANDARD
INDICATORE DIFFERENZIALE
STANDARD POSITION
DIFFERENTIAL INDICATOR

POSIZIONE OPZIONALE
INDICATORE DIFFERENZIALE
OPTIONAL POSITION
DIFFERENTIAL INDICATOR

USCITA - OUTLET



INGRESSO - INLET

F280-D140 / D141 / D142 / D143

POSIZIONE STANDARD
INDICATORE DIFFERENZIALE
STANDARD POSITION
DIFFERENTIAL INDICATOR

POSIZIONE OPZIONALE
INDICATORE DIFFERENZIALE
OPTIONAL POSITION
DIFFERENTIAL INDICATOR

USCITA - OUTLET



Serie F280-D1

Filtri in linea per le alte pressioni
In line high pressure filters



FILTER HOUSING

Description:

Max flow rate:

Max working pressure:

Test pressure:

Burst pressure:

Connection Ports:

By-pass:

Working temperature:

Materials:

Fluids compatibility:

Technical Information

In line high pressure filter assembly with cleanable or disposable elements

400 l/min (105 gpm)

As per NFPA T 3.10.5.1: 280 Bar (4060 psi)

As per NFPA T 3.10.5.1: 420 Bar (6091,5 psi)

As per NFPA T 3.10.5.1: 840 Bar (12180 psi)

BSP, NPT, Metric

No by-pass or 6 Bar (87 psi) setting

-25°C +120°C (-13°F +248°F)

- Head: cast iron
- Bowl: extruded steel
- Seal: Buna-N / Viton®

ISO 2943: Filter assembly compatible with mineral oils and some synthetic or vegetable oils. With other fluid applications please contact Filtrec S.p.A.

FILTER ELEMENT

Filter media:

Collapse pressure:

Microglass fiber 3, 6, 10, 15, 25 µm, cellulose 10 µm

As per ISO 2941: 21 Bar (305 psi) and 210 Bar (3045 psi)

DESCRIPTION	ORDER CODE	MEDIA	PORTS	FLOW RATE	PRICE	ELEMENT	PRICE
COMPLETE WITH LOW COLLAPSE ELEMENTS, VISUAL INDICATOR AND BYPASS VALVE							
F280-D120-G10-A-B5-D-S-Z30	ZZ004944	10 MICRON FIBREGLASS	1" BSP	60 L/MIN	£241.55	D120G10A	£58.85
F280-D124-G10-A-B5-D-S-Z30	ZZ004945	10 MICRON FIBREGLASS	1" BSP	80 L/MIN	£256.99	D124G10A	£68.78
F280-D121-G10-A-B5-D-S-Z30	ZZ004946	10 MICRON FIBREGLASS	1" BSP	100 L/MIN	£270.34	D121G10A	£82.03
F280-D140-G10-A-B7-D-S-Z30	ZZ004947	10 MICRON FIBREGLASS	1 1/2" BSP	120 L/MIN	£521.22	D140G10A	£87.13
F280-D141-G10-A-B7-D-S-Z30	ZZ004948	10 MICRON FIBREGLASS	1 1/2" BSP	200 L/MIN	£589.36	D141G10A	£119.95
F280-D142-G10-A-B7-D-S-Z30	ZZ004949	10 MICRON FIBREGLASS	1 1/2" BSP	240 L/MIN	£796.23	D142G10A	£193.61
F280-D120-G25-A-B5-D-S-Z30	ZZ004950	25 MICRON FIBREGLASS	1" BSP	70 L/MIN	£239.90	D120G25A	£56.74
F280-D124-G25-A-B5-D-S-Z30	ZZ004951	25 MICRON FIBREGLASS	1" BSP	90 L/MIN	£256.99	D124G25A	£68.78
F280-D121-G25-A-B5-D-S-Z30	ZZ004952	25 MICRON FIBREGLASS	1" BSP	110 L/MIN	£266.53	D121G25A	£77.25
F280-D140-G25-A-B7-D-S-Z30	ZZ004953	25 MICRON FIBREGLASS	1 1/2" BSP	130 L/MIN	£514.31	D140G25A	£78.50
F280-D141-G25-A-B7-D-S-Z30	ZZ004954	25 MICRON FIBREGLASS	1 1/2" BSP	210 L/MIN	£589.36	D141G25A	£119.95
F280-D142-G25-A-B7-D-S-Z30	ZZ004955	25 MICRON FIBREGLASS	1 1/2" BSP	250 L/MIN	£794.15	D142G25A	£191.00

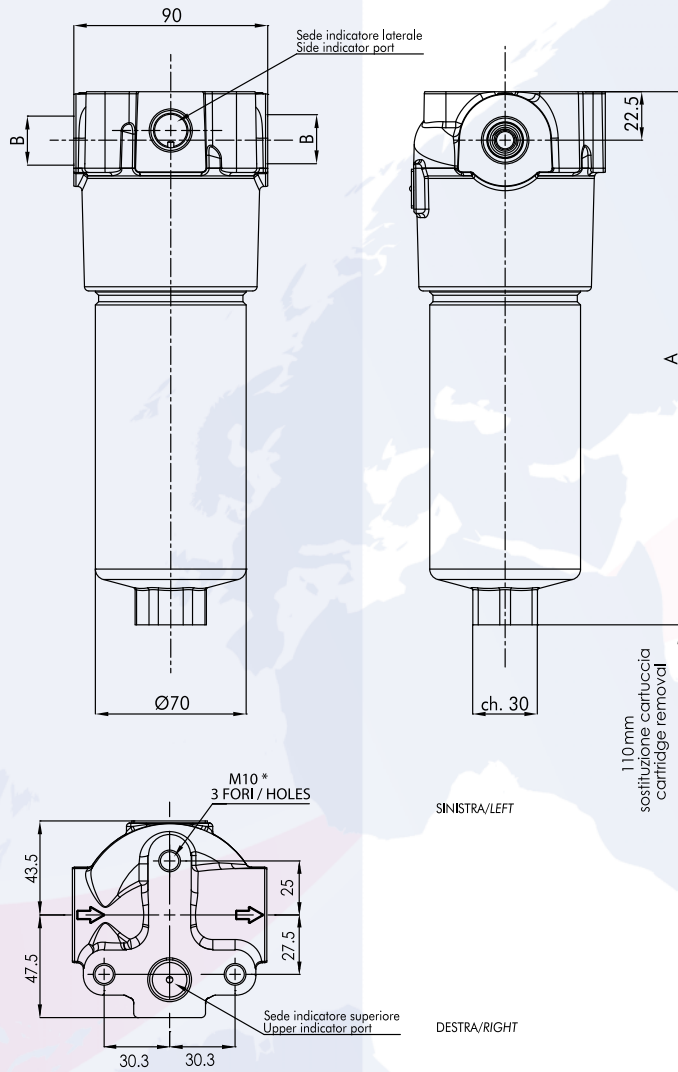
THE GIVEN FLOW RATE VALUES REFER TO APPLICATIONS WITH MINERAL OIL HAVING VISCOSITY OF 30 CST AT WORKING TEMPERATURE. FOR APPLICATIONS WITH DIFFERENT FLUID OR WORKING CONDITIONS, A CORRECTIVE FACTOR MUST BE APPLIED BY REFERING TO THE TECHNICAL INFORMATION.

OPTIONAL EXTRAS

INDICATORS	PRICE
Z31 DIFFERENTIAL ELECTRICAL VISUAL 5 BAR 72.5PSI	£65.13
Z32 DIFFERENTIAL VISUAL SWITCH 8 BAR 116 PSI	£47.32
Z33 DIFFERENTIAL ELECTRICAL VISUAL 8 BAR 116 PSI	£65.13

Informazioni dimensionali - Overall dimensions

F280-D1/20-24-21



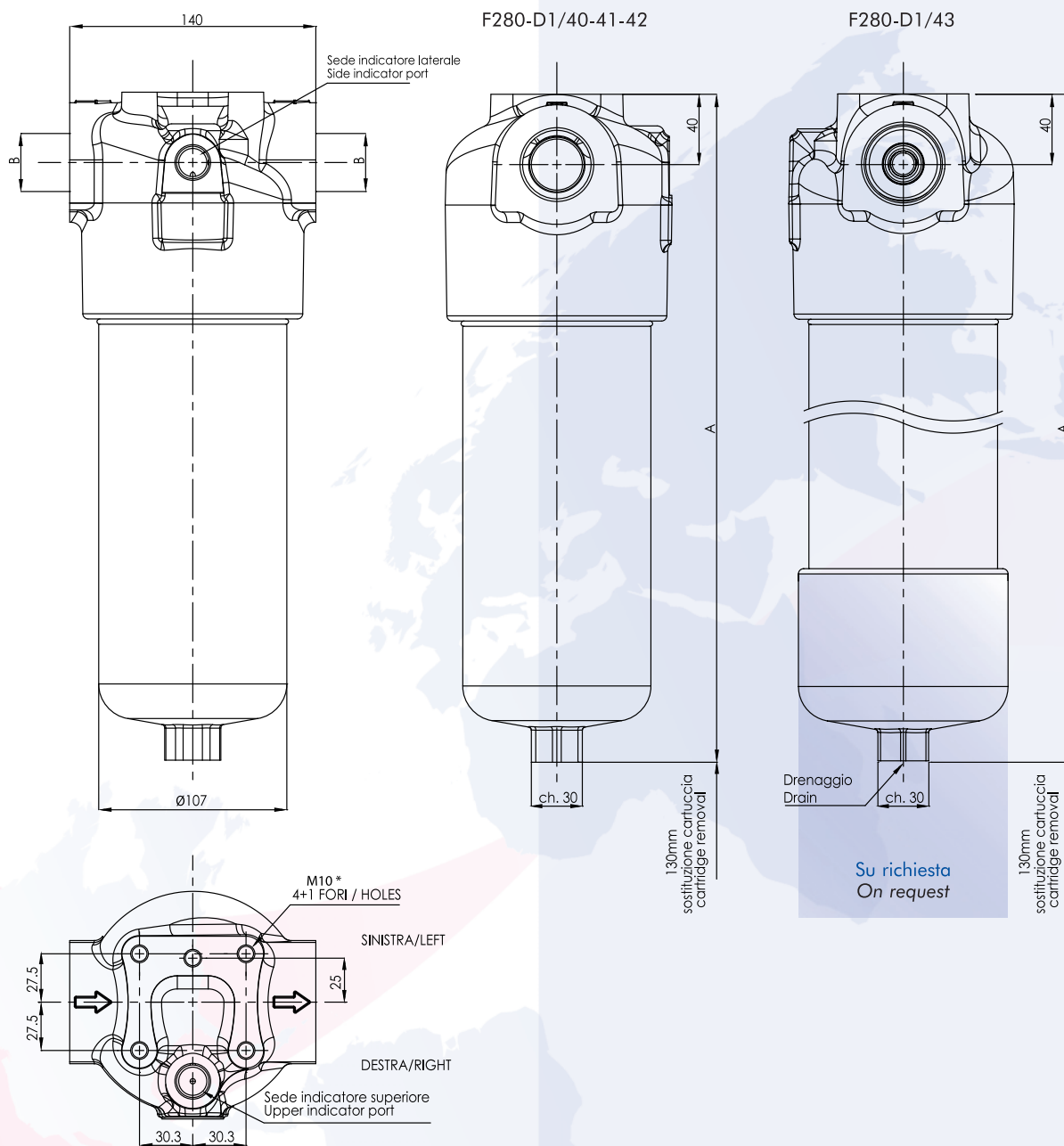
1) Grandezza nominale - Nominal size

Codice - Code	A	B	Cart. ricambio- Element
F280-D120	200	1/2" BSP	D-1-20
F280-D124	243	3/4" BSP	D-1-24
F280-D121	293	1" BSP	D-1-21
		M22 x 1,5	

Per NPT e M22 x 1,5 contattare l'ufficio commerciale
For NPT and M22 x 1,5 please contact sales department

*Per fori di fissaggio UN contattare l'ufficio commerciale
*For UN thread fixing for holes please contact sales department

Informazioni dimensionali - Overall dimensions



1) Grandezza nominale - Nominal size

Codice - Code	A	B	Cart. ricambio- Element
F280-D140	248	1" 1/4 BSP 1" 1/2 BSP	D-1-40
F280-D141	341		D-1-41
F280-D142	461		D-1-42
F280-D143*	554		D-1-43

*Contattare l'ufficio commerciale
*Please contact sales department

Per NPT contattare l'ufficio commerciale
For NPT please contact sales department

*Per fori di fissaggio UN contattare l'ufficio commerciale
*For UN thread fixing for holes please contact sales department

2) Grado di filtrazione - Filtration ratings

Codice - Code	Materiale - Media	Efficienza - Efficiency
0	senza cartuccia / no element	-----
G03	microfibra inorganica / microglass fiber	$\beta_{4,5 \mu\text{m} (c)} \geq 1000$
G06	microfibra inorganica / microglass fiber	$\beta_{7 \mu\text{m} (c)} \geq 1000$
G10	microfibra inorganica / microglass fiber	$\beta_{12 \mu\text{m} (c)} \geq 1000$
G15	microfibra inorganica / microglass fiber	$\beta_{18 \mu\text{m} (c)} \geq 1000$
G25	microfibra inorganica / microglass fiber	$\beta_{27 \mu\text{m} (c)} \geq 1000$
C10	carta / cellulose	$\beta_{10 \mu\text{m} (c)} \geq 2$

Solo Δp 21 Bar
 Δp 21 Bar (305 psi) only

3) Collasso cartuccia - Element collapse

Codice - Code	Δp (Bar) - Δp (psi)
A	21Bar / 305 psi
B	210Bar / 3045 psi

4) Guarnizioni - Seals

Codice - Code	Tipo - Type
---	NBR
V	Viton®

5) Connesioni - Connection port

Codice - Code	B	C
B3	1/2" BSP	M10
B4	3/4" BSP	M10
B5	1" BSP	M10
B6	1" 1/4 BSP	M10
B7	1" 1/2 BSP	M10
N3	1/2" NPT	3/8 - 16 UNC - 2B
N4	3/4" NPT	3/8 - 16 UNC - 2B
N5	1" NPT	3/8 - 16 UNC - 2B
N6	1" 1/4 NPT	3/8 - 16 UNC - 2B
N7	1" 1/2 NPT	3/8 - 16 UNC - 2B
M22	M22 x 1,5	M10

Su richiesta - On request

6) Valvola di by-pass - By-pass valve

Codice - Code	Taratura - Setting
0	senza / without
D	6 Bar / 87 psi

7) Predisposizione indicatori - Indicator port options

Codice - Code	Posizione - Position
0	senza / without
T	lavorazione per indicatore lato destro con tappo di chiusura <i>indicator port on the right side with plug</i>
S	lavorazione per indicatore superiore con tappo di chiusura <i>upper indicator port side with plug</i>

Su richiesta - On request

8) Indicatori - Indicator

Codice - Code	Tipo indicatore - Indicator type	Taratura - Setting
0	senza / without	-----
Z30	differenziale visivo <i>differential visual switch</i>	5 Bar 72.5 psi
Z31	differenziale visivo elettrico <i>differential electrical visual</i>	5 Bar 72.5 psi
Z32	differenziale visivo <i>differential visual switch</i>	8 Bar 116 psi
Z33	differenziale visivo elettrico <i>differential electrical visual</i>	8 Bar 116 psi

Codici per l'ordinazione - Ordering information

Filtro completo
Filter assembly

F280-D1

20 G10 A V B3 D S Z30

1* 2* 3* 4* 5* 6* 7* 8*

Cartuccia
Filter element

D-1

20 G10 A V

1* 2* 3* 4*

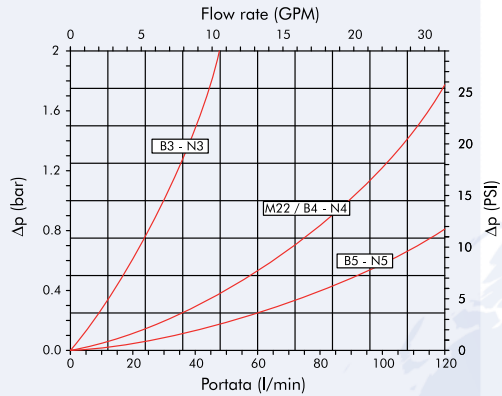
* Viton® è un marchio registrato da DuPont - Viton® is a registered trademark of DuPont
Sono possibili variazioni al catalogo senza preavviso - Catalogue may change without notice

Curve di portata - Pressure drop charts

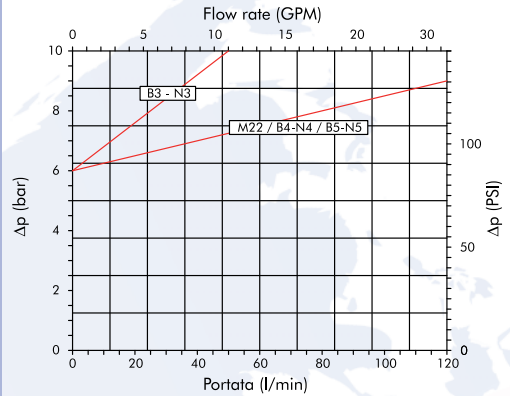
Le curve (secondo ISO 3968 classe B) sono ottenute con olio minerale avente viscosità di 30 cSt e densità di 0,86 Kg/dm³. Per viscosità e densità diverse i dati variano.

Pressure drop charts (as per ISO 3968 class B) are obtained using mineral oil with 30 cSt viscosity and 0,86 Kg/dm³ density. With different values of viscosity and density data may vary.

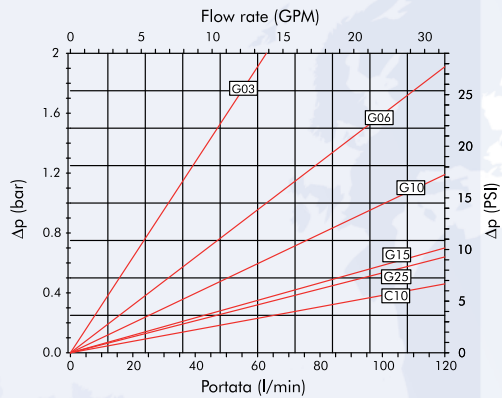
Filtro F280-D1-20/24/21
Housing F280-D1-20/24/21



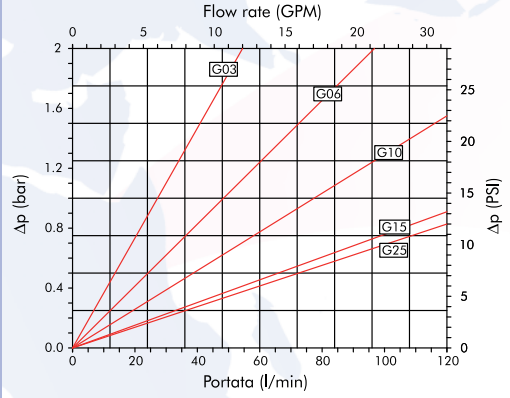
By-pass F280-D1-20/24/21
By-pass F280-D1-20/24/21



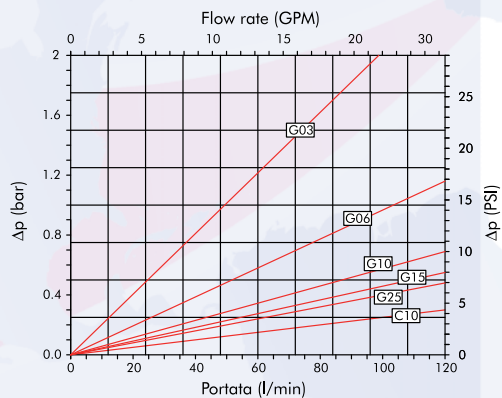
D1-20-A



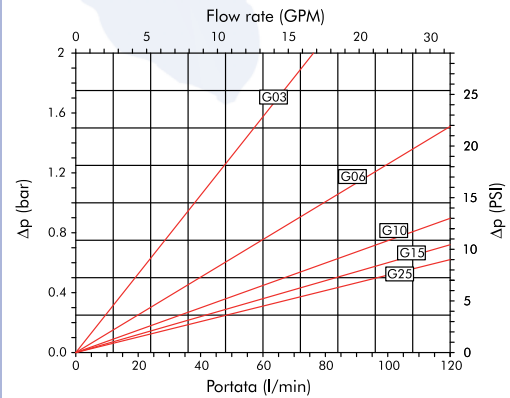
D1-20-B



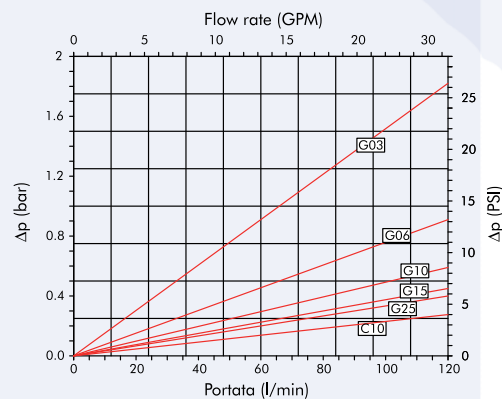
D1-24-A



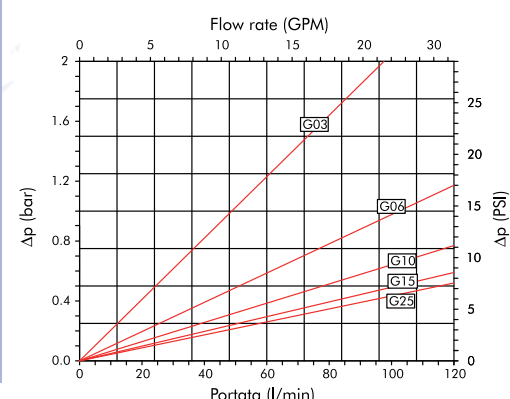
D1-24-B



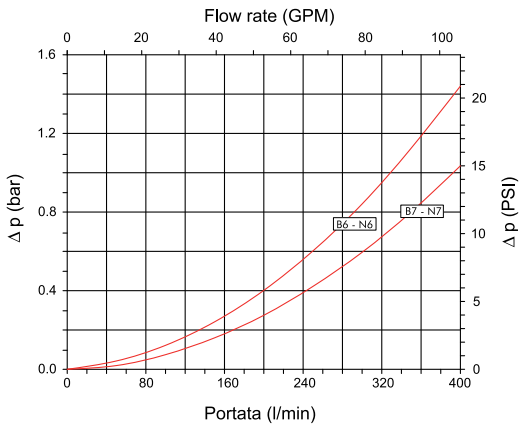
D1-21-A



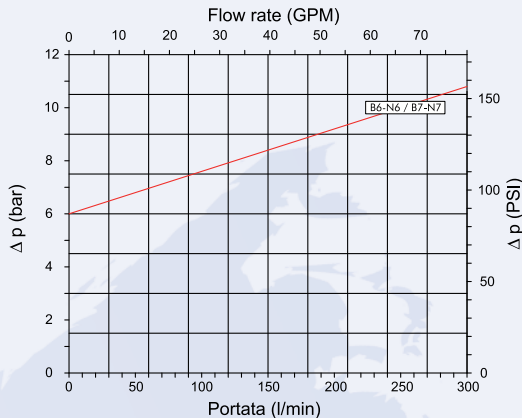
D1-21-B



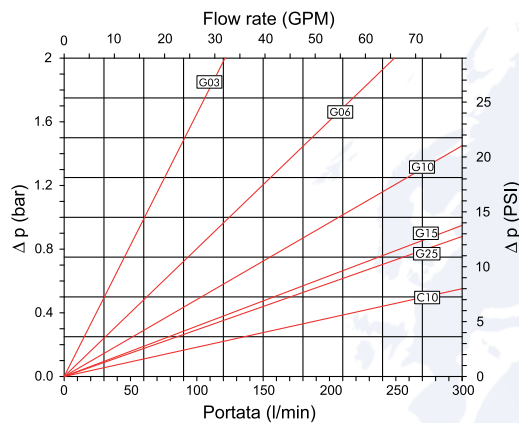
Filtro F280-D1-40/41/42/43
Housing F280-D1-40/41/42/43



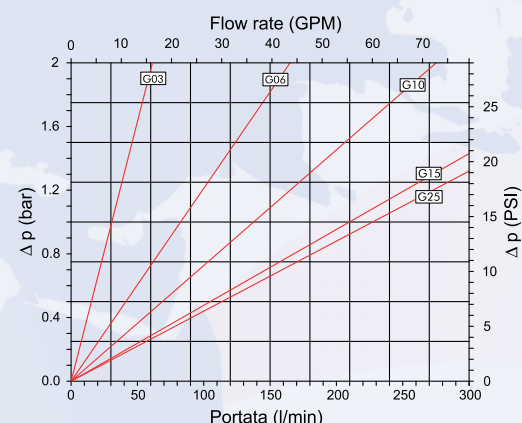
By-pass F280-D1-40/41/42/43
By-pass F280-D1-40/41/42/43



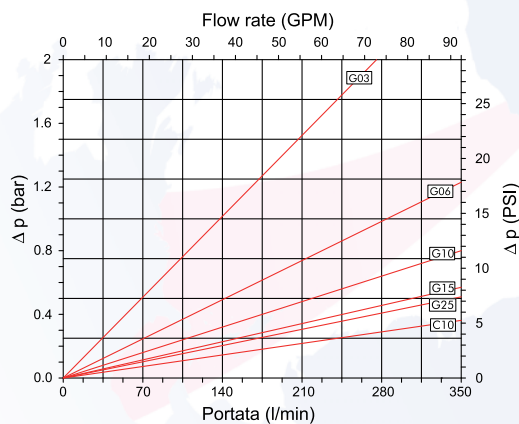
D1-40-A



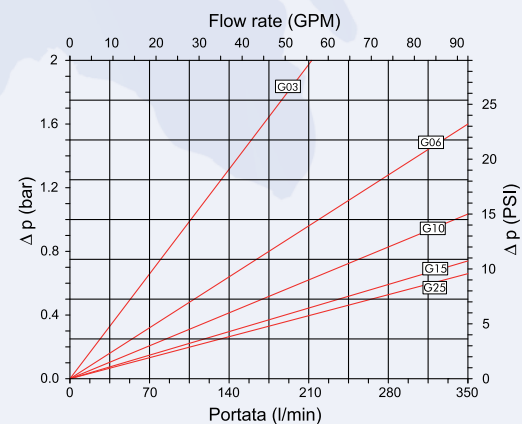
D1-40-B



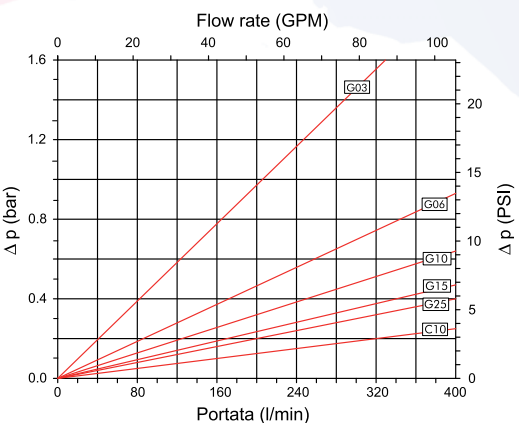
D1-41-A



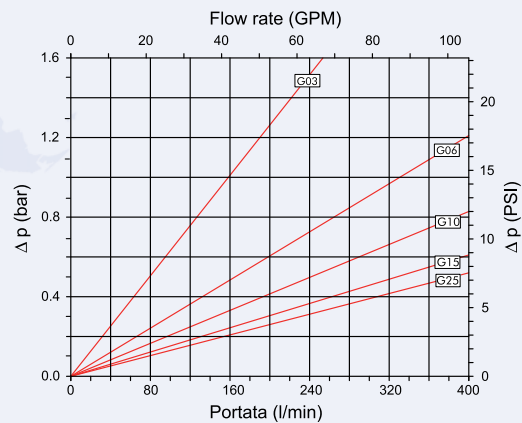
D1-41-B



D1-42-A



D1-42-B



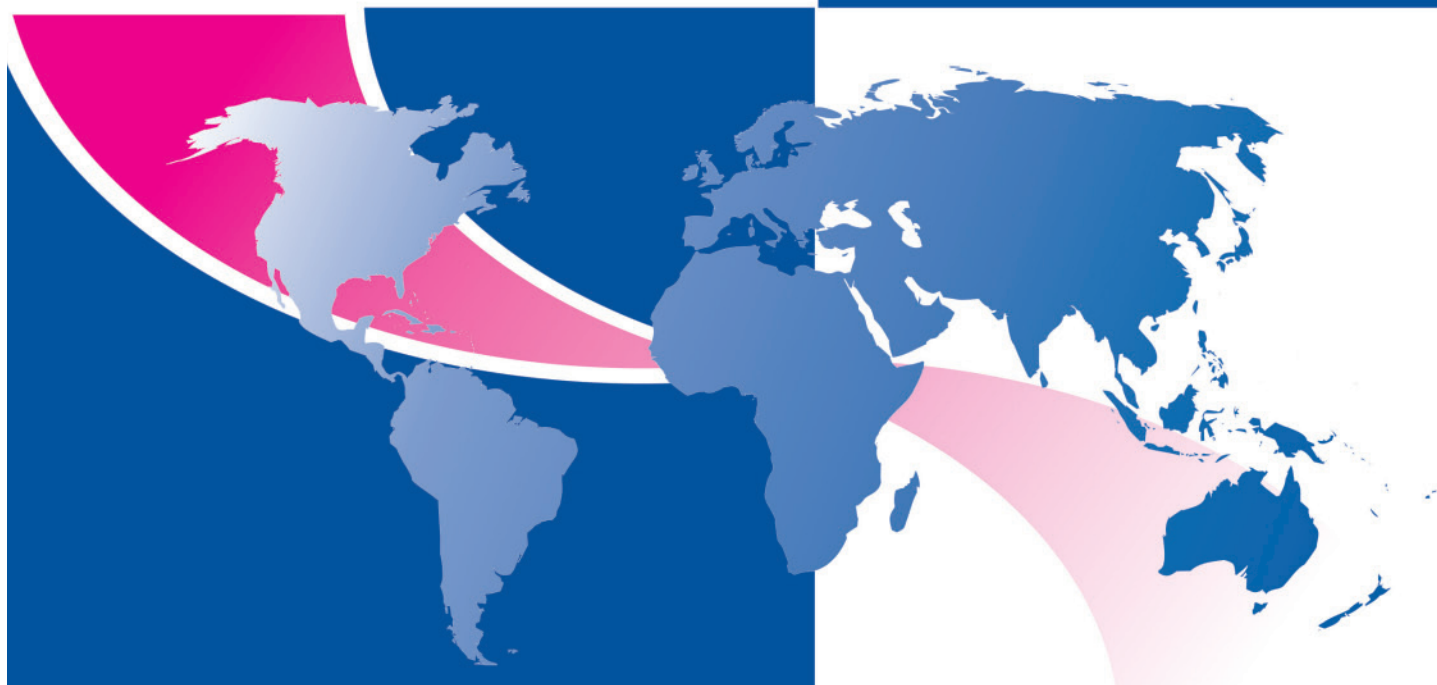


FILTRAZIONE IDRAULICA
HYDRAULIC FILTRATION



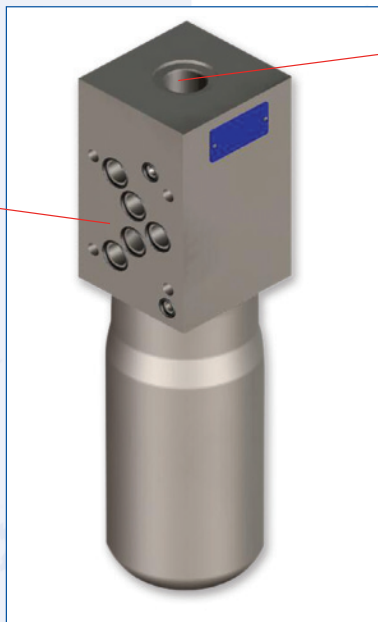
FILTREC[®]
Technical Filtration

serie
FDM-1



FDM-1-11 / FDM-1-12

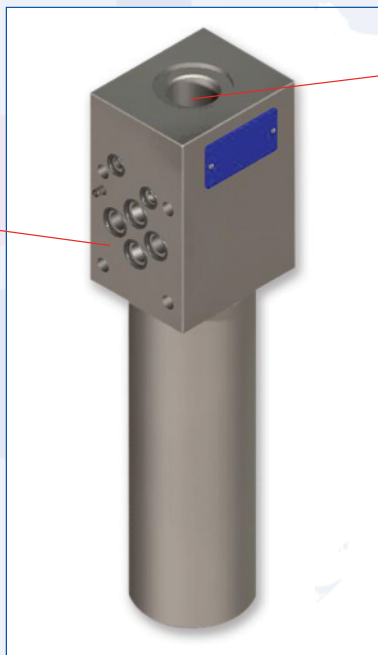
PIANO DI POSA CONFORME A
CETOP 05
CETOP 05 INTERFACE



PREDISPOSIZIONE INDICATORE
DIFFERENZIALE
DIFFERENTIAL INDICATOR PORT

FDM-1-08

PIANO DI POSA CONFORME A
CETOP 03
CETOP 03 INTERFACE



PREDISPOSIZIONE INDICATORE
DIFFERENZIALE
DIFFERENTIAL INDICATOR PORT

Serie FDM-1

Filtri in linea modulare per alte pressioni
Modular in-line high pressure filters



FILTER HOUSING

Description:

Max flow rate:

Max working pressure:

Test pressure:

Burst pressure:

Port connections:

Indicator:

By-pass valve:

Working temperature:

Materials:

Fluids compatibility:

Technical Information

Modulare in line high pressure filter assembly with cleanable or disposable elements

15/45 l/min (4/12 gpm)

As per NFPA T 3.10.5.1: 315 Bar (4560 psi)

As per NFPA T 3.10.5.1: 400 Bar (5800 psi)

As per NFPA T 3.10.5.1: 945 Bar (13700 psi)

CETOP - 03/05

Visual and visual electric differential indicator setting 5 and 8 bar (72,5 and 116 psi)

Without

-25°C +120°C (-13°F +248°F)

- Head: steel
- Cover: steel
- Seal: Buna-N / Viton®

ISO 2943: Filter assembly compatible with mineral oils and some synthetic or vegetable oils. With other fluid applications please contact Filtrac S.p.A.

FILTER ELEMENT

Filter element:

Collapse pressure:

Microglass fiber 3,6,10,25 µm

Wire mesh 10, 25 µm

As for ISO 2941: 21/210 Bar

DESCRIPTION	ORDER CODE	FLOW RATE	PRICE	ELEMENT	PRICE
COMPLETE WITH HIGH COLLAPSE ELEMENTS, VISUAL INDICATOR AND BYPASS VALVE					
3 MICRON FIBREGLASS					
FDM-1-08-G03-B-D-Z12	ZZ004956	6 L/MIN	£300.86	D108G03B	£116.37
FDM-1-11-G03-B-D-Z12	ZZ004957	18 L/MIN	£430.46	D111G03B	£124.30
6 MICRON FIBREGLASS					
FDM-1-08-G06-B-D-Z12	ZZ004958	8 L/MIN	£300.86	D108G06B	£116.37
FDM-1-11-G06-B-D-Z12	ZZ004959	24 L/MIN	£430.46	D111G06B	£124.30
10 MICRON FIBREGLASS					
FDM-1-08-G10-B-D-Z12	ZZ004960	8 L/MIN	£286.03	D108G10B	£95.09
FDM-1-11-G10-B-D-Z12	ZZ004961	24 L/MIN	£411.28	D111G10B	£96.74

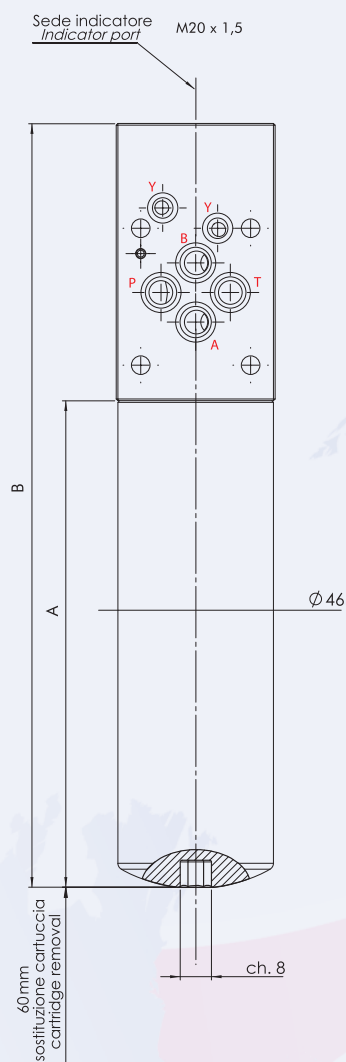
THE GIVEN FLOW RATE VALUES REFER TO APPLICATIONS WITH MINERAL OIL HAVING VISCOSITY OF 30 CST AT WORKING TEMPERATURE. FOR APPLICATIONS WITH DIFFERENT FLUID OR WORKING CONDITIONS, A CORRECTIVE FACTOR MUST BE APPLIED BY REFERING TO THE TECHNICAL INFORMATION.

OPTIONAL EXTRAS

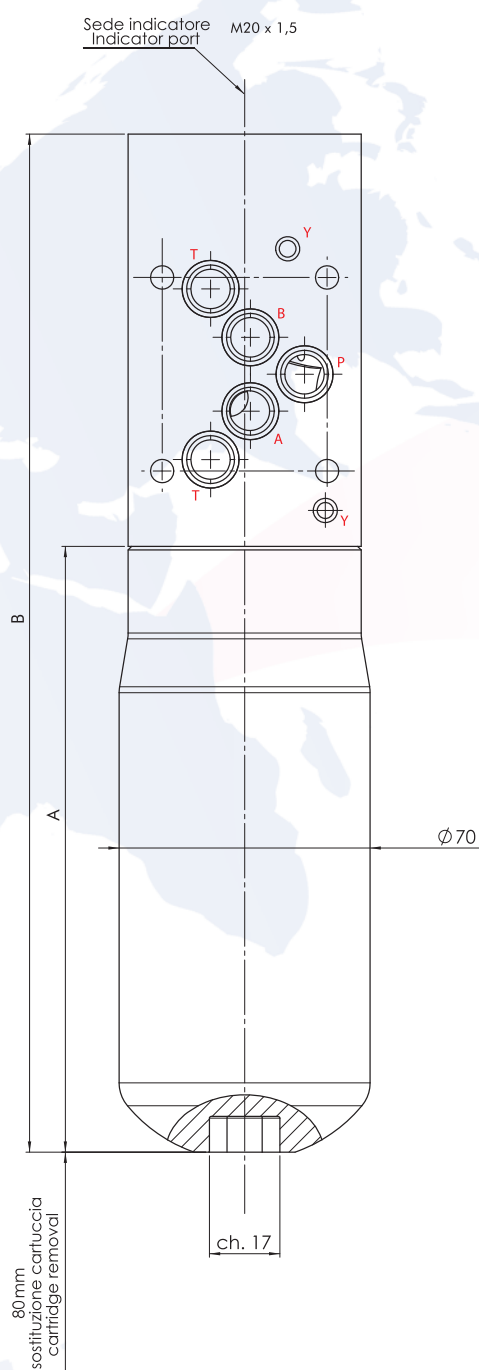
VITON SEALS	PRICE
FDM-1-08	£9.92
FDM-1-11	£12.72
INDICATORS	
Z13 DIFFERENTIAL VISUAL AND ELECTRICAL 5 BAR 72.5 PSI	£65.13
Z17 DIFFERENTIAL VISUAL SWITCH 8 BAR 116 PSI	£47.32
Z18 DIFFERENTIAL VISUAL AND ELECTRICAL 8 BAR 116 PSI	£63.60

Informazioni dimensionali - Overall dimensions

FDM-1-08 Versione destra



FDM-1-11/ FDM-1-12 Versione destra



1) Grandezza nominale - Nominal size

Codice - Code	A	B	Cart. ricambio - Element
FDM-1-08	144	226	D-1-08
FDM-1-11	169	284	D-1-11
FDM-1-12	265	380	D-1-12

2) Grado di filtrazione - Filtration ratings

Codice - Code	Materiale - Media	Efficienza - Efficiency
0	senza cartuccia/ no element	-----
G03	microfibra inorganica microglass fiber	$\beta_{4,5 \mu\text{m (c)}} \geq 1000$
G06		$\beta_{7 \mu\text{m (c)}} \geq 1000$
G10		$\beta_{12 \mu\text{m (c)}} \geq 1000$
G25		$\beta_{27 \mu\text{m (c)}} \geq 1000$
T10 T25	tela metallica / wire mesh	-----

3) Collasso cartuccia - Element collapse

Codice - Code	Δp (Bar) - Δp (PSI)
A	21 Bar - 304,5 PSI*
B	210 Bar - 3045 PSI

* Non disponibile per D-1-08
* Not available for D-1-08

4) Guarnizioni - Seals

Codice - Code	Tipo - Type
---	NBR
V	Viton®

5) Valvola di by-pass - By-pass valve

Codice - Code	Taratura - Setting
0	senza without

6) Posizione contenitore - Housing position

Codice - Code	Posizione - Position
D	contenitore destro / right housing
S	contenitore sinistro / left housing *

* Solo su richiesta
* Only on request

7) Indicatori - Indicators

Codice Code	Tipo indicatore - Indicator type	Taratura Setting
0	senza / without	-----
Z12	differenziale visivo differential visual	5 Bar 72,5 psi
Z13	differenziale visivo ed elettrico differential visual and electrical	5 Bar 72,5 psi
Z17	differenziale visivo differential visual switch	8 Bar 116 psi
Z18	differenziale visivo ed elettrico differential visual and electrical	8 Bar 116 psi

Codici per l'ordinazione - Ordering information

Filtro completo
Filter assembly

FDM-1

08 G10 B V 0 D Z17

1* 2* 3* 4* 5* 6* 7*

Cartuccia
Filter element

D1

08 G10 B V

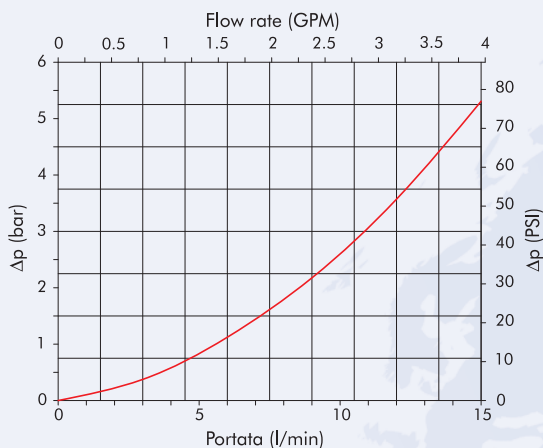
1* 2* 3* 4*

Curve di portata - Pressure drop charts

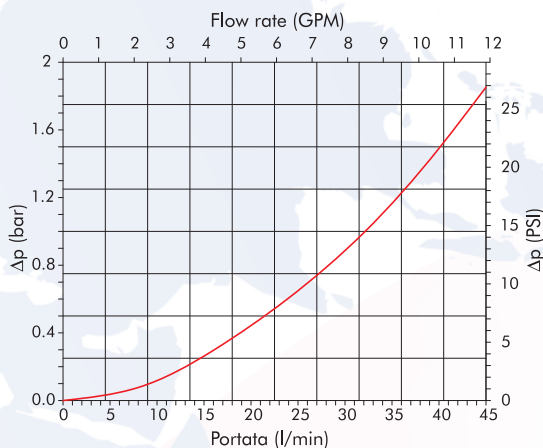
Le curve (secondo ISO 3968 classe B) sono ottenute con olio minerale avente viscosità di 30 cSt e densità di 0,86 Kg/dm³.
Per viscosità e densità diverse i dati variano.

Pressure drop charts (as per ISO 3968 class B) are obtained using mineral oil with 30 cSt viscosity and 0,86 Kg/dm³ density.
With different values of viscosity and density data may vary.

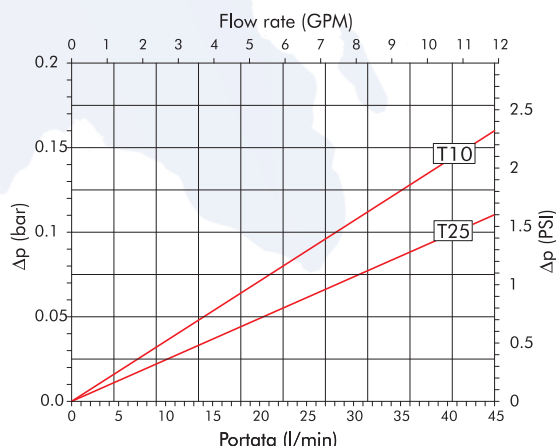
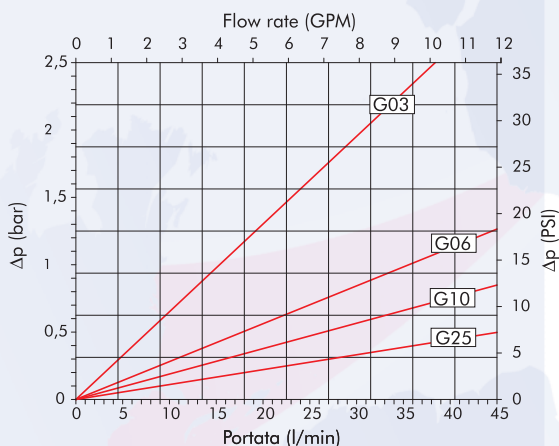
Filtro FDM-1-08
Housing FDM-1-08



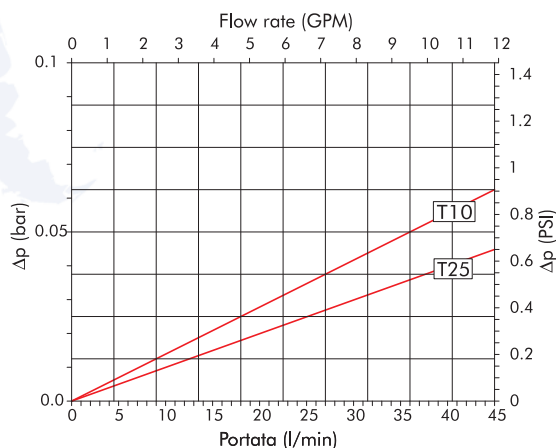
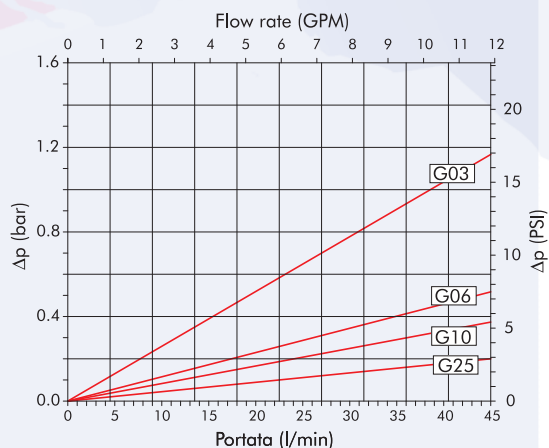
Filtro FDM-1-11/12
Housing FDM-1-11/12



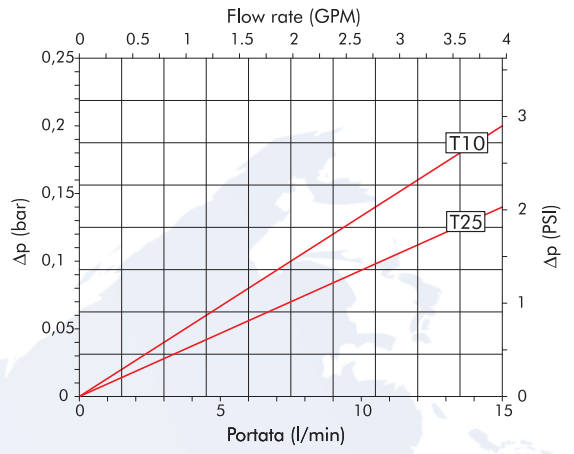
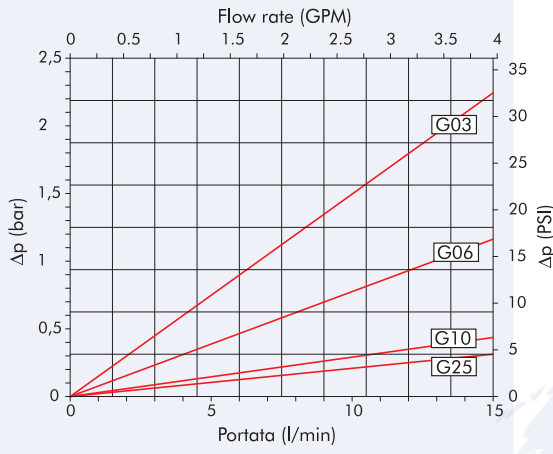
D-1-11-...-A



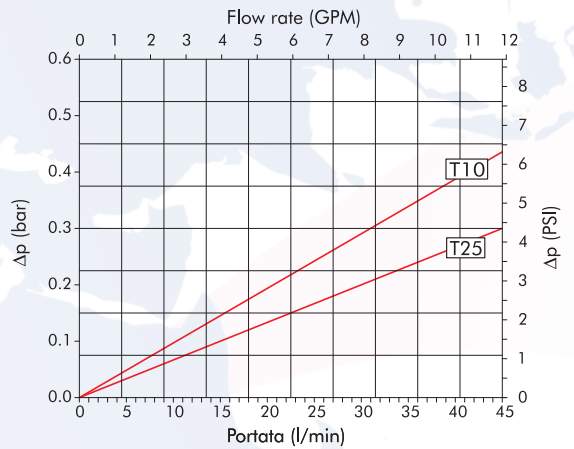
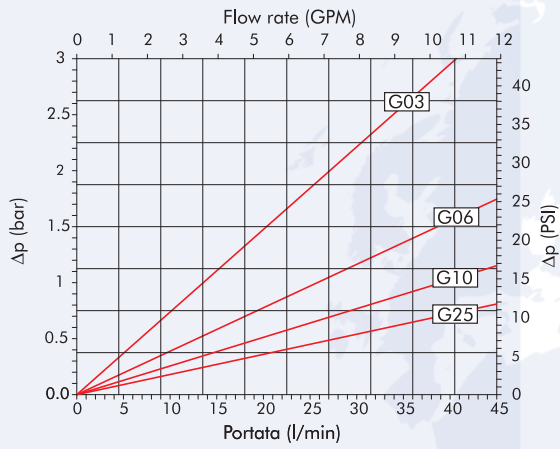
D-1-12-...-A



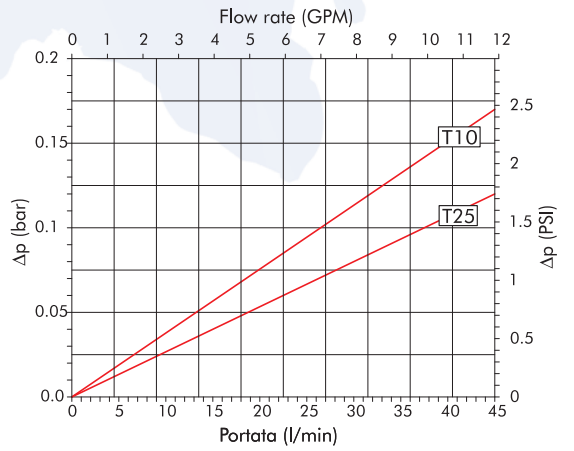
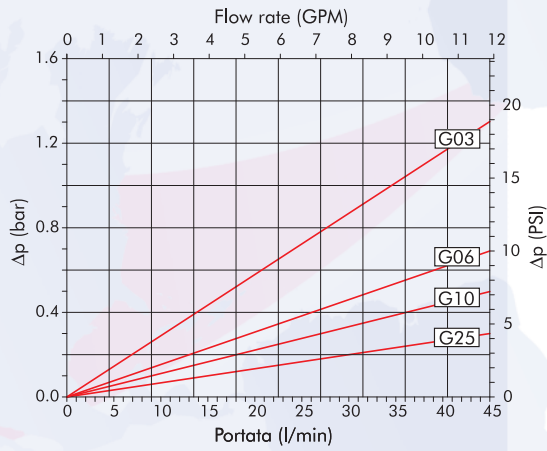
D-1-08-...-B



D-1-11-...-B



D-1-12-...-B



* Viton® è un marchio registrato da DuPont - Viton® is a registered trademark of DuPont
 Sono possibili variazioni al catalogo senza preavviso - Catalogue may change without notice