

FILTREC ACCESSORIES

CLOGGING INDICATORS.....	748
FL SERIES FLUID LEVEL TEMPERATURE GAUGES.....	760
FB-1 SERIES AIR BREATHER FILTERS.....	763
FT SERIES FILLER BREATHER FILTERS	767



FLOWFIT®



FILTREC[®]
Technical Filtration

**INDICATORI DI
INTASAMENTO**
**CLOGGING
INDICATORS**

ORDER CODE	DESCRIPTION	SETTING	THREAD	PRICE
R1	PRESSURE GAUGE INDICATOR	0-10 BAR (BLACK) 0-145 PSI (RED)	1/8" BSP	£7.63
R2	PRESSURE SWITCH	1.3 BAR 18.85 PSI N.A O.C	1/8" BSP	£27.98
R3	PRESSURE SWITCH	1.3 BAR 18.85 PSI N.C C.C	1/8" BSP	£27.56
R4	PRESSURE SWITCH	1.3 BAR 18.85 PSI	1/8" BSP	£100.74
R6	VISUAL PRESSURE	1.2 BAR 17.4 PSI	1/8" BSP	£34.60
R7	PRESURE VACUUM GAUGE	-1 TO 5BAR (BLACK) 14.5 TO 72.5 PSI (RED)	1/8" BSP	£9.67
S1	VACUUM GAUGE	0 TO -1 BAR (BLACK) 0 TO 114.5 PSI (RED)	1/8" BSP	£11.36
S2	VACUUM SWITCH	-0.2 BAR (2.9 PSI) N.A O.C	1/8" BSP	£39.94
S3	VACUUM SWITCH	-0.2 BAR -2.9 PSI N.C C.C	1/8" BSP	£33.75
S4	VACUUM SWITCH VIEW	-0.3 BAR -4.35PSI	1/8" BSP	£19.08
S5	VACUUM GAUGE	0 TO -1 BAR (BLACK) 0 TO -14.5 PSI (RED)	1/4" BSP	£6.11
S6	VACUUM SWITCH	-0.2 BAR -2.9 PSI	1/4" BSP	£91.58
Z1	DIFFERENTIAL VISUAL SWITCH	1.3 BAR 18.85 PSI	M20 X 1.5	£47.32
Z2	DIFFERENTIAL ELECTRICAL VISUAL SWITCH	1.3 BAR 18.85 PSI	M20 X 1.5	£65.13
Z3	DIFFERENTIAL VISUAL SWITCH	5 BAR 72.5 PSI	1/2" BSP	£45.79
Z4	DIFFERENTIAL ELECTRICAL VISUAL SWITCH	5 BAR 72.5 PSI	1/2" BSP	£63.60
Z5	DIFFERENTIAL VISUAL SWITCH	8 BAR 116 PSI	1/2" BSP	£45.79
Z6	DIFFERENTIAL ELECTRICAL VISUAL SWITCH	8 BAR 116 PSI	1/2" BSP	£63.60
Z12	DIFFERENTIAL VISUAL SWITCH	5 BAR 72.5 PSI	M20 X 1.5	£47.32
Z13	DIFFERENTIAL ELECTRIC VISUAL SWITCH	5 BAR 72.5 PSI	M20 X 1.5	£65.13
Z15	DIFFERENTIAL VISUAL SWITCH	1.3 BAR 18.85 PSI	M20 X 1.5	£47.32
Z16	DIFFERENTIAL ELECTRIC VISUAL SWITCH	1.3 BAR 18.85 PSI	M20 X 1.5	£65.13
Z17	DIFFERENTIAL VISUAL SWITCH	8 BAR 116 PSI	M20 X 1.5	£47.32
Z18	DIFFERENTIAL ELECTRIC VISUAL SWITCH	8 BAR 116 PSI	M20 X 1.5	£63.60
Z20	DIFFERENTIAL VISUAL SWITCH	1.3 BAR 18.85 PSI	M18 X 1.5	£26.46
Z21	DIFFERENTIAL ELECTRIC SWITCH	1.3 BAR 18.85 PSI	M18 X 1.5	£21.88
Z24	DIFFERENTIAL VISUAL SWITCH	2 BAR 29 PSI	1/2" BSP	£47.32
Z25	DIFFERENTIAL ELECTRIC VISUAL SWITCH	2 BAR 29 PSI	1/2" BSP	£65.13
Z26	DIFFERENTIAL VISUAL SWITCH	5 BAR 72.5 PSI	1/2" BSP	£47.32
Z27	DIFFERENTIAL ELECTRIC VISUAL SWITCH	5 BAR 72.5 PSI	1/2" BSP	£65.13
Z28	DIFFERENTIAL VISUAL SWITCH	8 BAR 116 PSI	1/2" BSP	£47.32
Z29	DIFFERENTIAL ELECTRIC VISUAL SWITCH	8 BAR 116 PSI	1/2" BSP	£65.13
Z30	DIFFERENTIAL VISUAL SWITCH	5 BAR 72.5 PSI	M20 X 1.5	£47.32
Z31	DIFFERENTIAL ELECTRIC VISUAL SWITCH	5 BAR 72.5 PSI	M20 X 1.5	£65.13
Z32	DIFFERENTIAL VISUAL SWITCH	8 BAR 116 PSI	M20 X 1.5	£47.32
Z33	DIFFERENTIAL ELECTRIC VISUAL SWITCH	8 BAR 116 PSI	M20 X 1.5	£65.13

Clogging indicators



Technical information

Clogging indicators controlling and determining the moment when filter change should take place are available for the entire FILTREC assembly range.

ABSOLUTE pressure indicators

They measure the pressure in the filter vs the atmospheric one. Usually they are used on return line filters discharging in tank.

Clogging indicators

- **Visual:** The indicator is provided with a bar and a psi scale. The pointer indicates clog value.
- **Electrical:** Electrical signal indicates clog value. It is used in hard to reach areas, the signal is visible on a control panel through a led.

DIFFERENTIAL pressure indicators

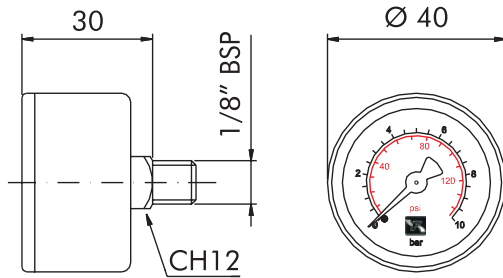
Differential pressure indicators measure the difference in pressure between the dirty and the clean side of the filter. They are not affected by atmospherical pressure. Usually they are used on pressure and return line filters.

Clogging indicators:

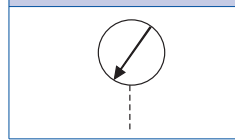
- **Visual:** A colored indicator reports when pressure setting is reached:
GREEN = differential pressure minor than setting value
RED = differential pressure major than setting value
- **Electrical:** An electrical signal indicates when admissible differential pressure is reached.
It is used in hard to reach areas, the signal is visible on a control panel through a luminous led.
- **Visual Electrical:** Both colored indicator and electrical signal indicate when pressure setting is reached.

MANOMETRO - PRESSURE GAUGE INDICATOR

Cassa in ABS nero - Housing in black ABS material



Simbolo - Symbol



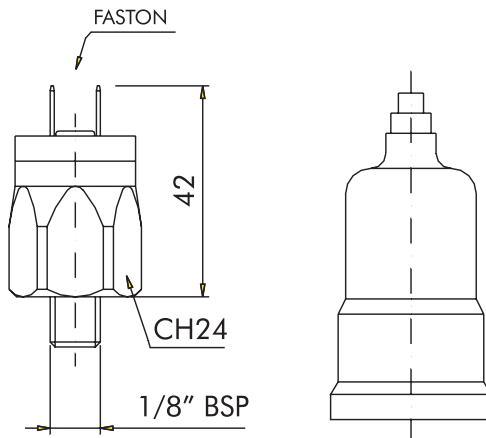
Codice - Code	Taratura - Setting
R1	0 ÷ 10 bar (colore nero - black color) 0 ÷ 145 psi (colore rosso - red color)

PRESSOSTATO

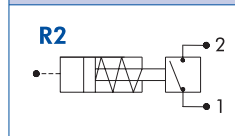
- Corrente: 0,5 A resistivo/ 0,2 A induttivo
- Tensione max: 250V AC
- Cappuccio protettivo: PVC

PRESSURE SWITCH

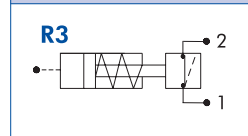
- Current: 0,5 A resistive/ 0,2 A inductive
- Max voltage: 250V AC
- Cap: PVC



Simbolo - Symbol



Simbolo - Symbol



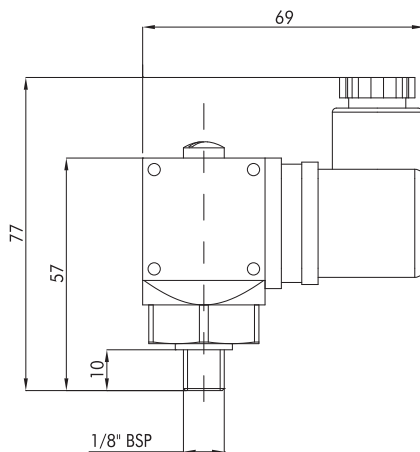
Codice Code	Taratura - Setting	Contatti Contact
R2	1,3 bar (18,85 psi)	N.A. O.C.
R3	1,3 bar (18,85 psi)	N.C. C.C.

PRESSOSTATO

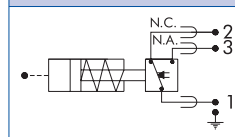
- Corrente: 5 A resistivo
- Tensione max: 250V AC
- Protezione: IP65 secondo DIN 40050
- Campo di taratura regolabile: 0,5 - 10 bar

PRESSURE SWITCH

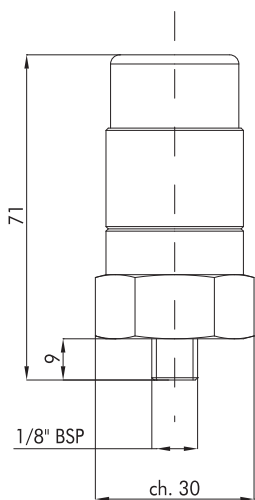
- Current: 5 A resistive
- Max voltage: 250V AC
- Protection: IP65 as per DIN 40050
- Setting range: 0,5 - 10 bar



Simbolo - Symbol



Codice - Code	Taratura - Setting
R4	1,3 bar (18,85 psi)



PRESSOSTATO VISIVO
VISUAL PRESSURE

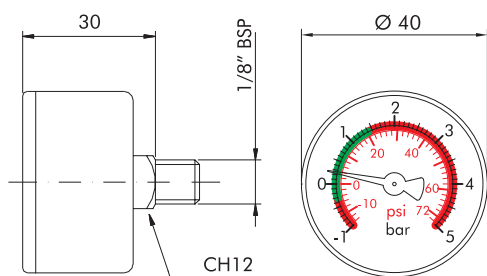
Simbolo - Symbol



Codice - Code	Taratura - Setting
R6	1,2 bar - 17,4 psi

MANO VUOTOMETRO
PRESSURE VACUUM GAUGE

Cassa in ABS nero - Housing in black ABS material



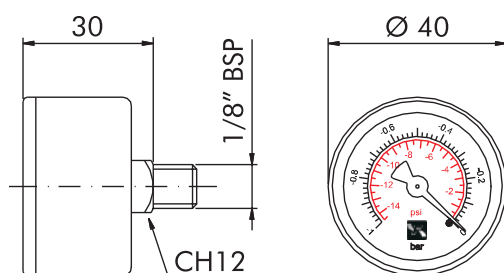
Simbolo - Symbol



Codice - Code	Taratura - Setting
R7	-1 ÷ 5 bar (colore nero - black color) - 14,5 ÷ 72,5 psi (colore rosso - red color)

VUOTOMETRO - VACUUM GAUGE

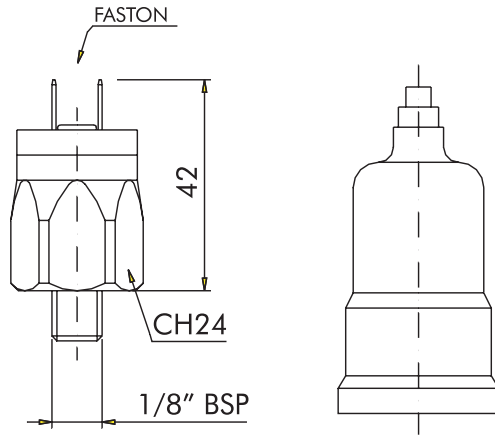
Cassa in ABS nero - Housing in black ABS material



Simbolo - Symbol



Codice - Code	Taratura - Setting
S1	0 ÷ -1 bar (colore nero - black color) 0 ÷ - 14,5 psi (colore rosso - red color)

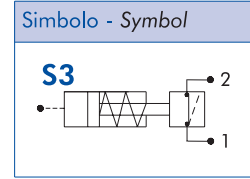
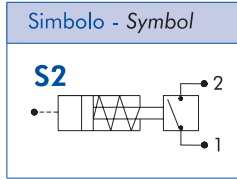


VUOTOSTATO

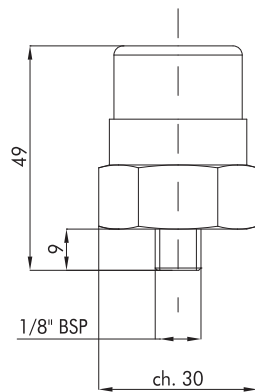
- Corrente: 0,5 A resistivo/ 0,2 A induttivo
- Tensione max: 250V AC
- Cappuccio protettivo: PVC

VACUUM SWITCH

- Current: 0,5 A resistive/ 0,2 A inductive
- Max voltage: 250V AC
- Cap: PVC

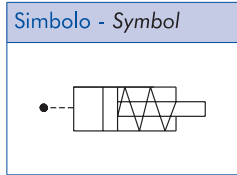


Codice Code	Taratura - Setting	Contatti Contact
S2	-0,2 bar (-2,9 psi)	N.A. O.C.
S3	-0,2 bar (-2,9 psi)	N.C. C.C.

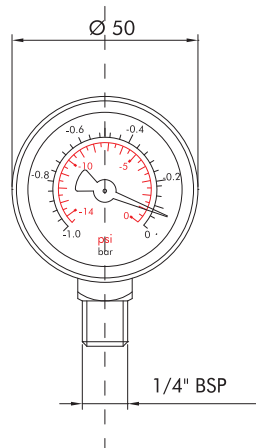


VUOTOSTATO VISIVO

VACUUM SWITCH VIEW



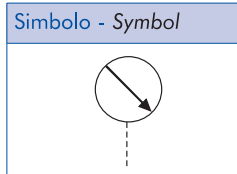
Codice - Code	Taratura - Setting
S4	-0,3 bar / -4,35 psi



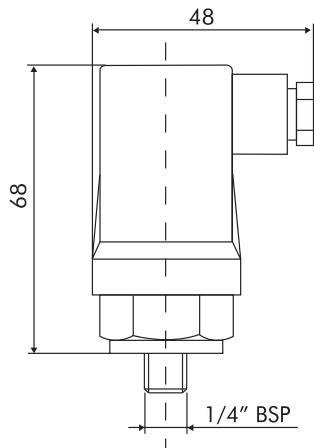
VUOTOMETRO

VACUUM GAUGE

Cassa in ABS nero - Housing in black ABS material



Codice - Code	Taratura - Setting
S5	0 ÷ -1 bar (colore nero - black color) 0 ÷ -14,5 psi (colore rosso - red color)



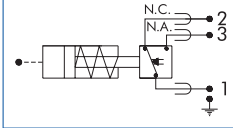
VUOTOSTATO

- Corrente: 5 A resistivo
- Tensione max: 220V AC
- Protezione: IP65 secondo DIN 40050

VACUUM SWITCH

- Current: 5 A resistive
- Max voltage: 250V AC
- Protection: IP65 as per DIN 40050

Simbolo - Symbol

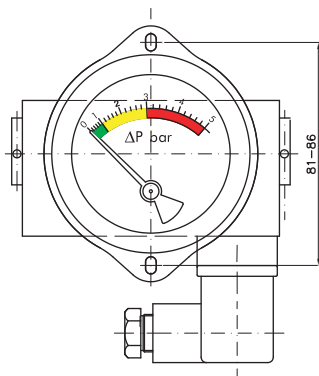
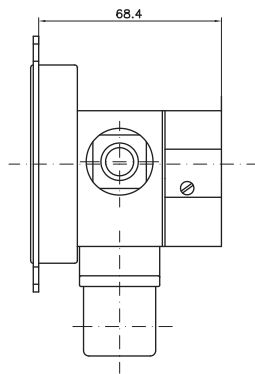


Codice - Code

Taratura - Setting

S6

-0,2 bar (-2,9 psi)



DIFFERENZIALE VISIVO ELETTRICO

Scala colorata:

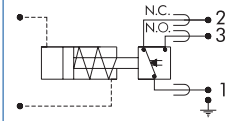
- 0 ÷ 1 bar colore verde
- 1 ÷ 3 bar colore giallo
- 3 ÷ 5 bar colore rosso

DIFFERENTIAL ELECTRIC VISUAL SWITCH

Visual indicator:

- 0 ÷ 1 bar (14,5 psi) green
- 1 ÷ 3 bar (43,5 psi) yellow
- 3 ÷ 5 bar (72,5 psi) red

Simbolo - Symbol



Codice - Code

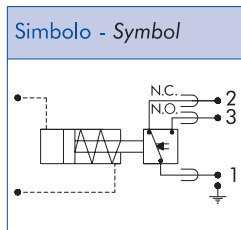
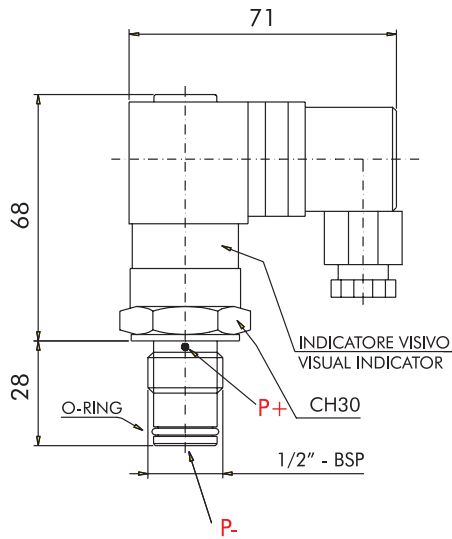
Taratura - Setting

Z10*

2 bar (29 psi)

Consigliato per montaggio su filtri per olio.
Per maggiori informazioni contattate il nostro ufficio tecnico.

For other information please contact our technical department.
Recommended for oil filters.



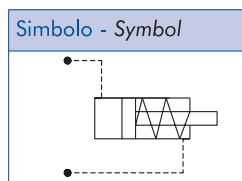
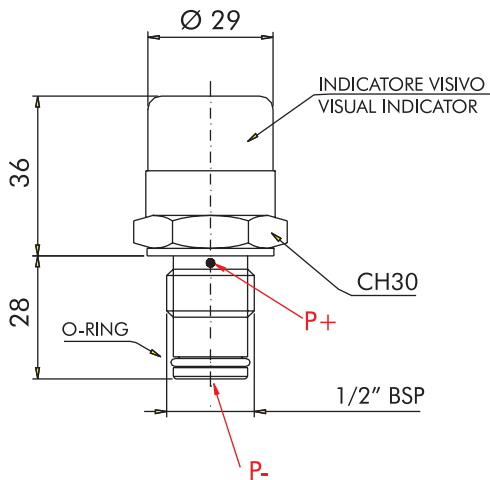
DIFFERENZIALE VISIVO ELETTRICO

- Visore colorato:
 - VERDE: cartuccia pulita
 - ROSSO: cartuccia sporca
- Connettore secondo DIN 43650
- Protezione: IP65 secondo DIN 40050
- Corrente massima: 5A resistivo - 5A induttivo
- Tensione massima: 250V CA - 30V CC

DIFFERENTIAL ELECTRIC VISUAL SWITCH

- Visual indicator:
 - GREEN: clean element
 - RED: dirty element
- Electric plug connection as per DIN 43650
- Protection: IP65 secondo DIN 40050
- Max current: 5A resistive 5A inductive
- Max voltage: 250V AC - 30V DC

Codice Code	Taratura - Setting
Z25	2 bar (29 psi)
Z27	5 bar (72,5 psi)
Z29	8 bar (116 psi)



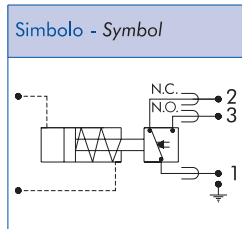
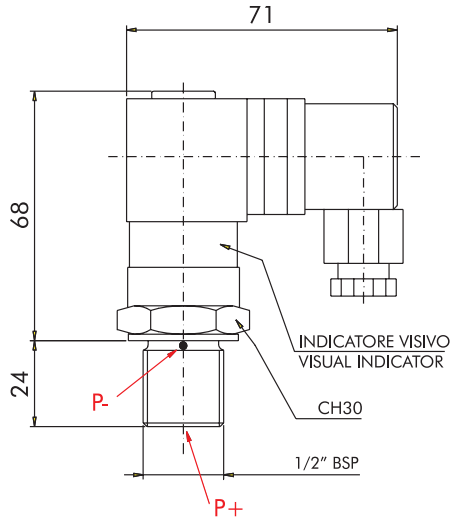
DIFFERENZIALE VISIVO

- Visore colorato:
- VERDE: cartuccia pulita
 - ROSSO: cartuccia sporca

DIFFERENTIAL VISUAL SWITCH

- Visual indicator:
- GREEN: clean element
 - RED: dirty element

Codice Code	Taratura - Setting
Z24	2 bar (29 psi)
Z26	5 bar (72,5 psi)
Z28	8 bar (116 psi)



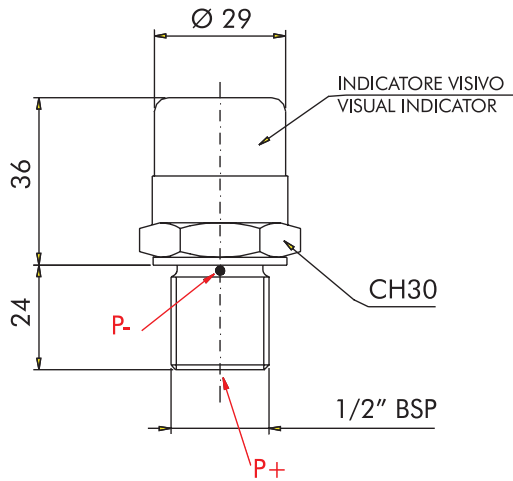
DIFFERENZIALE VISIVO ELETTRICO

- Visore colorato:
 - VERDE: cartuccia pulita
 - ROSSO: cartuccia sporca
- Connettore secondo DIN 43650
- Protezione: IP65 secondo DIN 40050
- Corrente massima: 5A resistivo - 5A induttivo
- Tensione massima: 250V CA - 30V CC

DIFFERENTIAL ELECTRIC VISUAL SWITCH

- Visual indicator:
- GREEN: clean element
 - RED: dirty element
 - Electrig plug connection as per DIN 43650
 - Protection: IP65 secondo DIN 40050
 - Max current: 5A resistive 5A inductive
 - Max voltage: 250V AC - 30V DC

Codice Code	Taratura - Setting
Z4	5 bar (72,5 psi)
Z6	8 bar (116 psi)

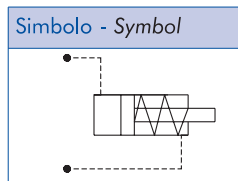


DIFFERENZIALE VISIVO

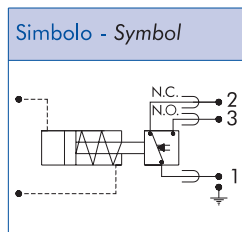
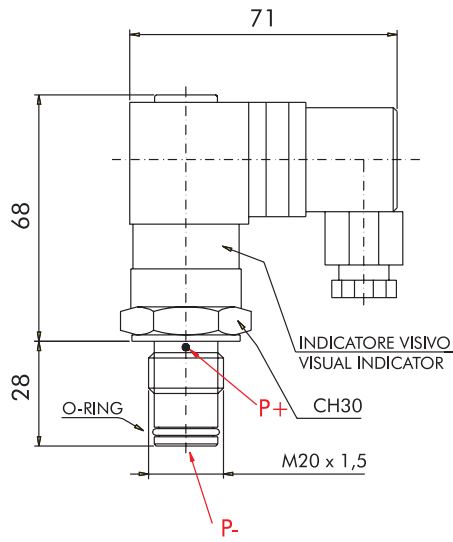
- Visore colorato:
- VERDE: cartuccia pulita
 - ROSSO: cartuccia sporca

DIFFERENTIAL VISUAL SWITCH

- Visual indicator:
- GREEN: clean element
 - RED: dirty element



Codice Code	Taratura - Setting
Z3	5 bar (72,5 psi)
Z5	8 bar (116 psi)



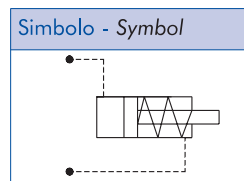
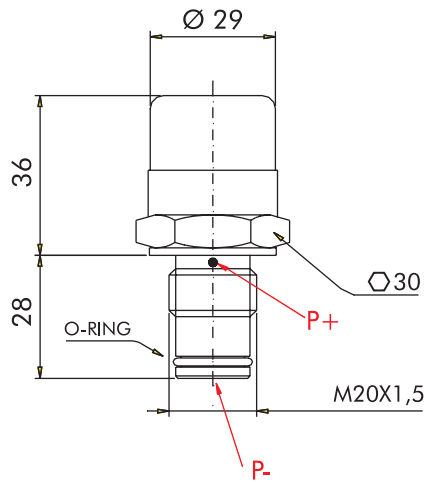
DIFFERENZIALE VISIVO ELETTRICO

- Visore colorato:
 - VERDE: cartuccia pulita
 - ROSSO: cartuccia sporca
- Connettore secondo DIN 43650
- Protezione: IP65 secondo DIN 40050
- Corrente massima: 5A resistivo 5A induttivo
- Tensione massima: 250V CA - 30V CC

DIFFERENTIAL ELECTRIC VISUAL SWITCH

- Visual indicator:
 - GREEN: clean element
 - RED: dirty element
- Electrig plug connection as per DIN 43650
- Protection: IP65 secondo DIN 40050
- Max current: 5A resistive 5A inductive
- Max voltage: 250V AC - 30V DC

Codice Code	Taratura - Setting
Z2	1,3 bar (18,85 psi)
Z13	5 bar (72,5 psi)
Z18	8 bar (116 psi)



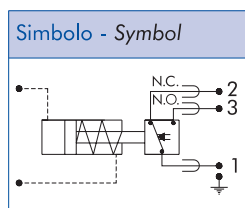
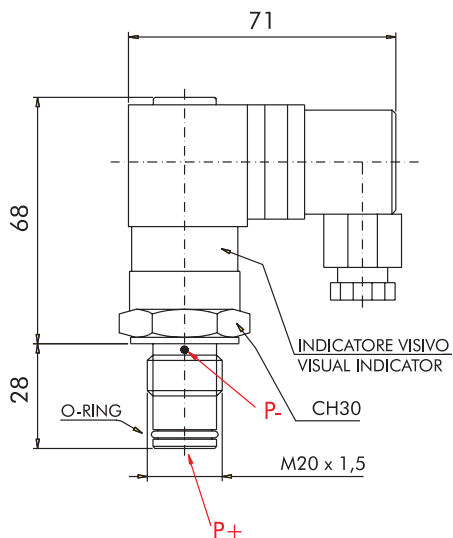
DIFFERENZIALE VISIVO

- Visore colorato:
- VERDE: cartuccia pulita
 - ROSSO: cartuccia sporca

DIFFERENTIAL VISUAL SWITCH

- Visual indicator:
- GREEN: clean element
 - RED: dirty element

Codice Code	Taratura - Setting
Z1	1,3 bar (18,85 psi)
Z12	5 bar (72,5 psi)
Z17	8 bar (116 psi)



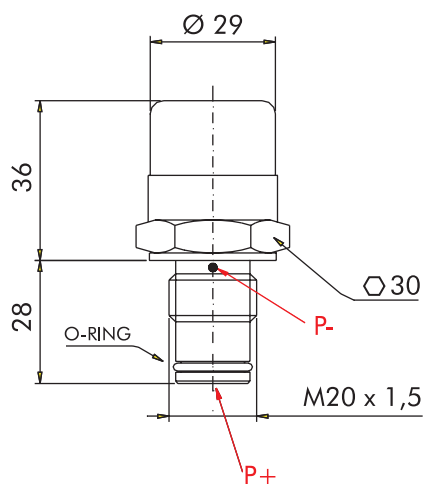
DIFFERENZIALE VISIVO ELETTRICO

- Visore colorato:
 - VERDE: cartuccia pulita
 - ROSSO: cartuccia sporca
- Connettore secondo DIN 43650
- Protezione: IP65 secondo DIN 40050
- Corrente massima: 5A resistivo 5A induttivo
- Tensione massima: 250V CA - 30V CC

DIFFERENTIAL ELECTRIC VISUAL SWITCH

- Visual indicator:
 - GREEN: clean element
 - RED: dirty element
- Electrig plug connection as per DIN 43650
- Protection: IP65 secondo DIN 40050
- Max current: 5A resistive 5A inductive
- Max voltage: 250V AC - 30V DC

Codice Code	Taratura - Setting
Z16	1,3 bar (18,85 psi)
Z31	5 bar (72,5 psi)
Z33	8 bar (116 psi)
Z38	2,7 bar (40 psi)

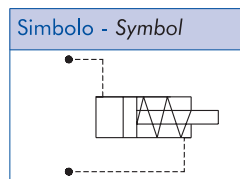


DIFFERENZIALE VISIVO

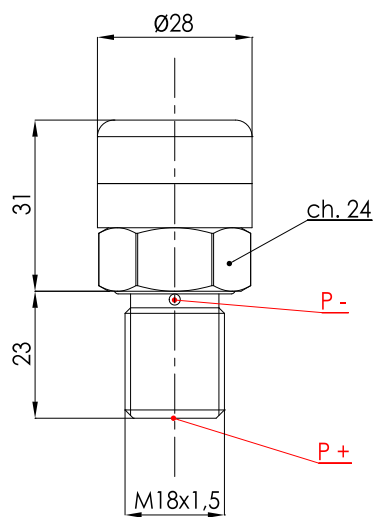
- Visore colorato:
- VERDE: cartuccia pulita
 - ROSSO: cartuccia sporca

DIFFERENTIAL VISUAL SWITCH

- Visual indicator:
- GREEN: clean element
 - RED: dirty element



Codice Code	Taratura - Setting
Z15	1,3 bar (18,85 psi)
Z30	5 bar (72,5 psi)
Z32	8 bar (116 psi)
Z37	2,7 bar (40 psi)

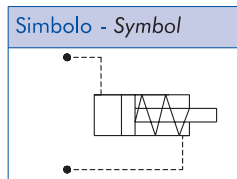


DIFFERENZIALE VISIVO

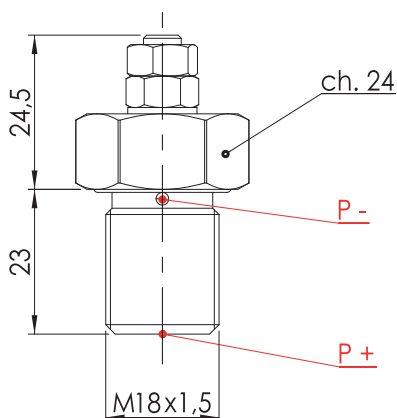
Visore colorato:
 - VERDE: cartuccia pulita
 - ROSSO: cartuccia sporca

DIFFERENTIAL VISUAL SWITCH

Visual indicator:
 - GREEN: clean element
 - RED: dirty element



Codice Code	Taratura - Setting
Z20	1,3 bar (18,85 psi)

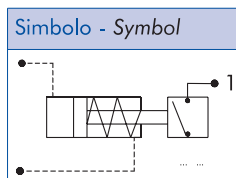


DIFFERENZIALE ELETTRICO

- Corrente massima: 0,5A resistivo / 0,2A induttivo
- Tensione massima: 30V AC
- Protezione: IP64 secondo DIN 40050

DIFFERENTIAL ELECTRIC SWITCH

- Max current: 0,5A resistive / 0,2A inductive
- Max voltage: 30V AC
- Protection: IP64 as per DIN 40050



Codice Code	Taratura - Setting
Z21	1,3 bar (18,85 psi)

Applicazioni - Applications

A seguire tabella che indica le applicazioni degli indicatori per tutte le famiglie di filtri idraulici e industriali FILTREC.

The table below shows type of indicator available for the full range of complete and industrial Filtrec filters.

CODE	AVVITABILI spin on			PRESSIONE pressure								RITORNO return			ASPIRA- ZIONE suction	INDUSTRIALE industrial	
	FA-1	FA-2	FA-4	F30	F70	F100	FD-3	F160	F280	F420	FDM-1	FR-1	FCR-7	FR-8	FS-7	SX/DX	IFS/IFD
R1																	
R2																	
R3																	
R4																	
R6																	
R7																	
S1																	
S2																	
S3																	
S4																	
S5																	
S6																	
Z1																	
Z2																	
Z10																	
Z12																	
Z13																	
Z15																	
Z16																	
Z17																	
Z18																	
Z30																	
Z31																	
Z32																	
Z33																	
Z34																	
Z35																	

Codifica - Code

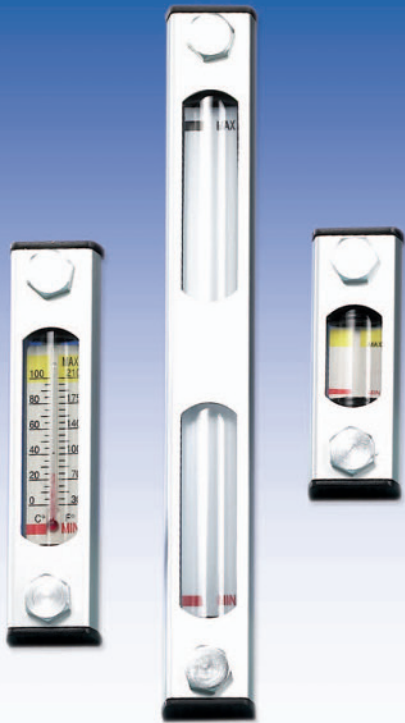
Gli indicatori sono codificati mediante una prima lettera che ne identifica l'applicazione e di seguito un numero progressivo.

The code is composed first by a letter determining its application and then by progressive numbers.

S= aspirazione / suction

R= ritorno o pressione / return or pressure

Z= differenziale / differential

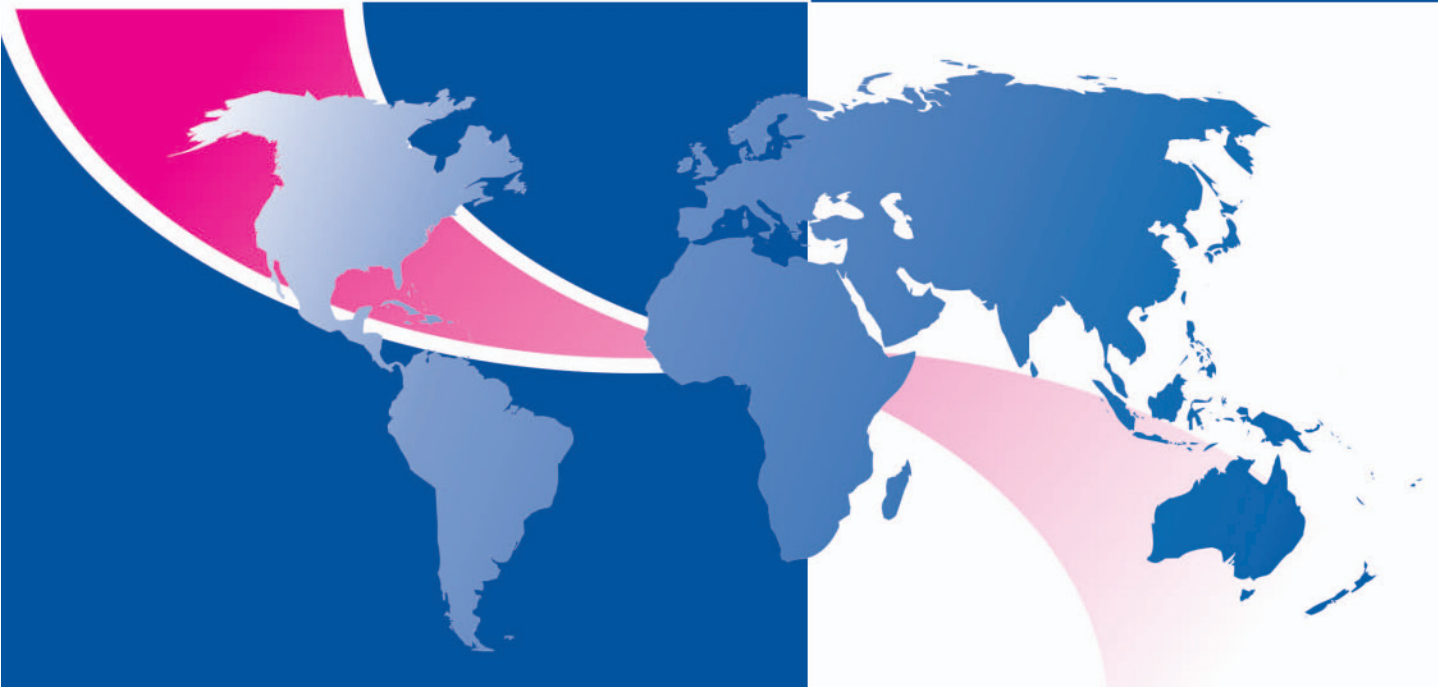


ACCESSORI 
ACCESSORIES 



FILTREC[®]
Technical Filtration

serie
FL



Serie FL

Indicatori visivi di livello per fluidi Fluid level temperature gauges



FILTER HOUSING

Description:

Max working pressure:

Connection Ports:

Working temperature:

Thermometer:

Materials:

Technical Information

Fluid level temperature gauges

1 Bar (14.5 psi)

Metric

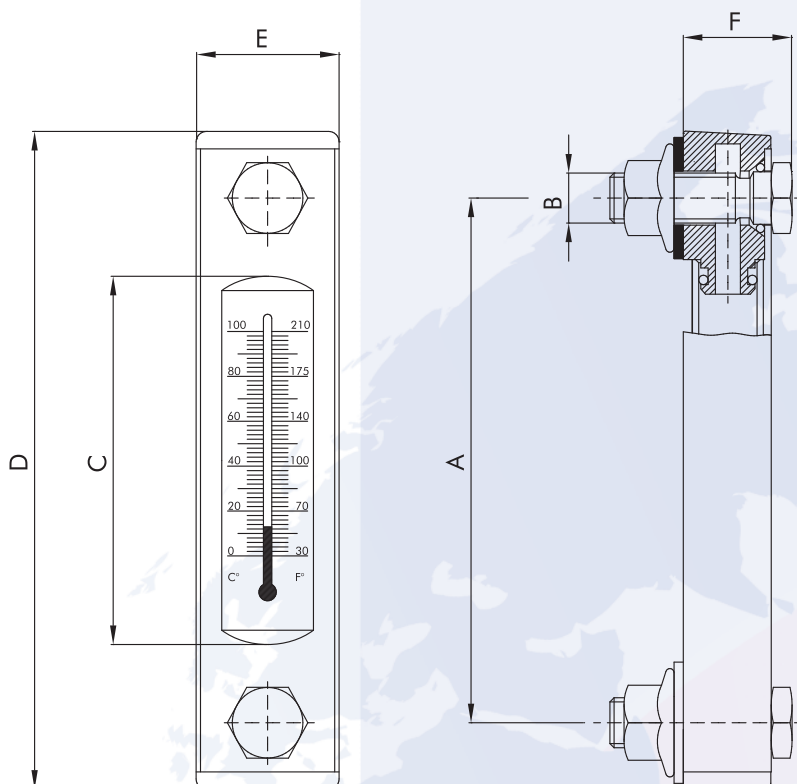
-20°C +80°C (-4°F +176°F)

Double scale 0°C ÷ 100°C 30°F ÷ 210 °F

- Heads: nylon
- Protection: anodized aluminium
- Screws: zinc steel
- Seal: Buna-N compatible as per ISO 2943 with mineral oil (HH-HL-HM-HR-HV-HG) water oil emulsions (HFAE-HFAS)

ORDER CODE	HOLE CENTRES	BOLT THREAD SIZE	LENGTH	WIDTH	PRICE	ELEMENT
FL1M10	76MM	M10X1.5	106MM	36MM	£15.69	D120G10A
FL1M12	76MM	M12X1.75	106MM	36MM	£15.69	D124G10A
FL1TM10	76MM	M10X1.5	106MM	36MM	£17.38	D121G10A
FL1TM12	76MM	M12X1.75	106MM	36MM	£17.38	D140G10A
FL2M10	127MM	M10X1.5	157MM	36MM	£17.21	D141G10A
FL2M12	127MM	M12X1.75	157MM	36MM	£17.21	D142G10A
FL2TM10	127MM	M10X1.5	157MM	36MM	£18.32	D120G25A
FL2TM12	127MM	M12X1.75	157MM	36MM	£18.32	D124G25A
FL3M10	254MM	M10X1.5	284MM	36MM	£27.35	D121G25A
FL3M12	254MM	M12X1.75	284MM	36MM	£27.35	D140G25A
FL3TM10	254MM	M10X1.5	284MM	36MM	£31.16	D141G25A
FL3TM12	254MM	M12X1.75	284MM	36MM	£31.16	D142G25A

Informazioni dimensionali - Overall dimensions



1) Grandezza nominale - Nominal size

Codice - Code	A	B	C	D	E	F
FL-1	76	M10	35	106	36	30
FL-2	127	M12	86	157	36	30
FL-3	254		213	284	36	30

2) Termometro - Temperature indicator

Codice - Code	Termometro - Temperature indicator
0	senza / without
T	con / with

3) Conessioni - Connection port

Codice - Code	Connessione - Connection
M10	M10
M12	M12

Codici per l'ordinazione - Ordering information

FL-2	T	M12
1*	2*	3*

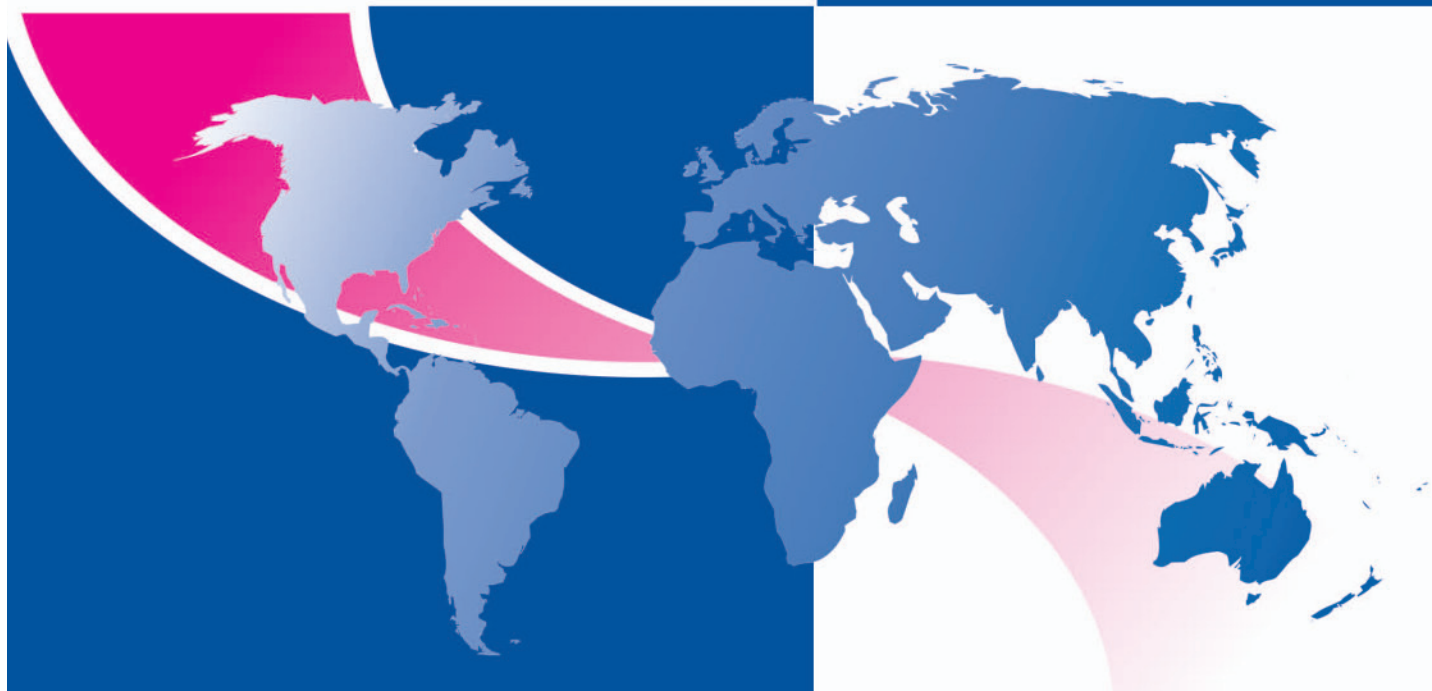


ACCESSORI 
ACCESSORIES 



FILTREC[®]
Technical Filtration

serie
FB-1



Serie FB-1

Filtri sfiato aria Air breather filters



FILTER HOUSING

Description:

Max flow rate:

Port Connection:

Materials:

Technical Information

Thread air breather filters.

FB1-10 200 l/min. (53 gpm)

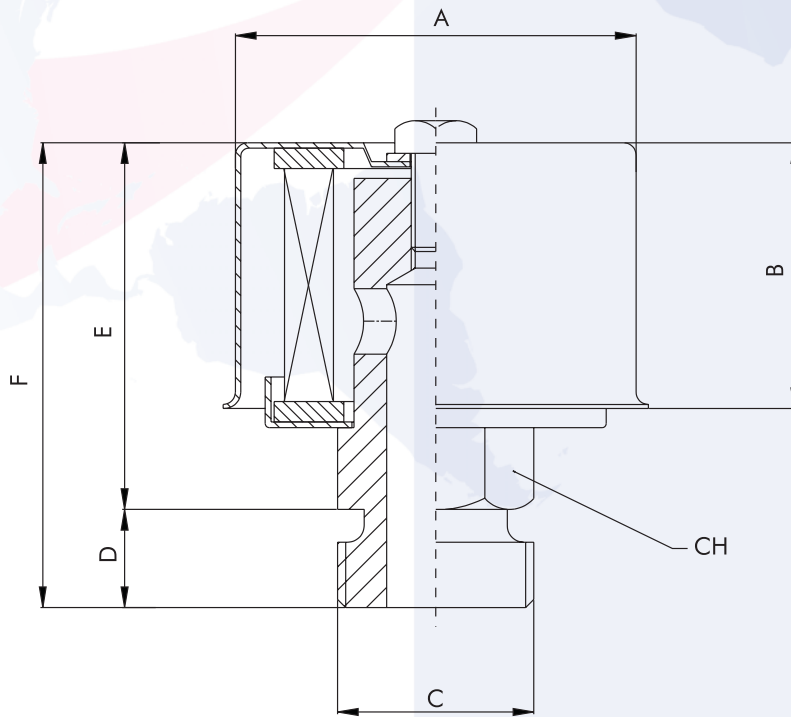
FB1-20 500 l/min. (132 gpm)

FB1-20 1000 l/min. (264 gpm)

BSP – Metric

Zinc steel

Informazioni dimensionali - Overall dimensions



ORDER CODE	THREAD	LENGTH	Ø/D	MICRON	AIRFLOW	PRICE
FB110B1C05	1/4" BSP	54MM	48MM	5 MICRON	200 L/MIN	£14.10
FB110B1C10	1/4" BSP	54MM	48MM	10 MICRON	200 L/MIN	£14.10
FB110B1C40	1/4" BSP	54MM	48MM	40 MICRON	200 L/MIN	£14.63
FB110B2C05	3/8" BSP	54MM	48MM	5 MICRON	200 L/MIN	£15.26
FB110B2C10	3/8" BSP	54MM	48MM	10 MICRON	200 L/MIN	£15.26
FB110B2C40	3/8" BSP	54MM	48MM	40 MICRON	200 L/MIN	£15.90
FB120B3C05	1/2" BSP	69MM	67MM	5 MICRON	500 L/MIN	£19.72
FB120B3C10	1/2" BSP	69MM	67MM	10 MICRON	500 L/MIN	£19.72
FB120B3C40	1/2" BSP	69MM	67MM	40 MICRON	500 L/MIN	£20.35
FB120B4C05	3/4" BSP	69MM	67MM	5 MICRON	500 L/MIN	£28.94
FB120B4C10	3/4" BSP	69MM	67MM	10 MICRON	500 L/MIN	£28.94
FB120B4C40	3/4" BSP	69MM	67MM	40 MICRON	500 L/MIN	£29.57
FB130B5C05	1" BSP	91MM	108MM	5 MICRON	1000 L/MIN	£27.35
FB130B5C10	1" BSP	91MM	108MM	10 MICRON	1000 L/MIN	£27.35
FB130B5C40	1" BSP	91MM	108MM	40 MICRON	1000 L/MIN	£29.95

OPTIONAL EXTRAS

CONNECTION PORTS
METRIC THREADS AVAILABLE ON REQUEST

1) Grandezza nominale - Nominal size

Codice - Code	A	B	C	D	E	F	CH
FB-1-10	48	32	B1	9	45	54	14
	48	32	B2	9	45	54	19
	48	32	M12	9	45	54	14
	48	32	M16	9	45	54	19
	48	32	M18	9	45	54	19
	48	32	M22	10	45	55	24
FB-1-20	67	50	B3	10	59	69	27
	67	50	B4	10	59	69	27
	67	50	M16	10	59	69	27
FB-1-30	108	61	B5	15	76	91	34

2) Conessioni - Connection port

Codice - Code	Connessione - Connection
B1	1/4" BSP
B2	3/8" BSP
B3	1/2" BSP
B4	3/4" BSP
B5	1" BSP
M12	M12 x 1,5
M16	M16 x 1,5
M18	M18 x 1,5
M22	M22 x 1,5

3) Grado di filtrazione - Filtration ratings

Codice - Code	Materiale - Media	Efficienza - Efficiency
C05	carta trattata resin impregnated cellulose	$\beta_{05} \geq 2$
C10	carta trattata resin impregnated cellulose	$\beta_{10} \geq 2$
C40	rete vellutata elettrostaticamente electrostatically velvety wire	$\beta_{40} \geq 2$

Codici per l'ordinazione - Ordering information

Filtro
Filter

FB-1

10

B2

C10

1*

2*

3*

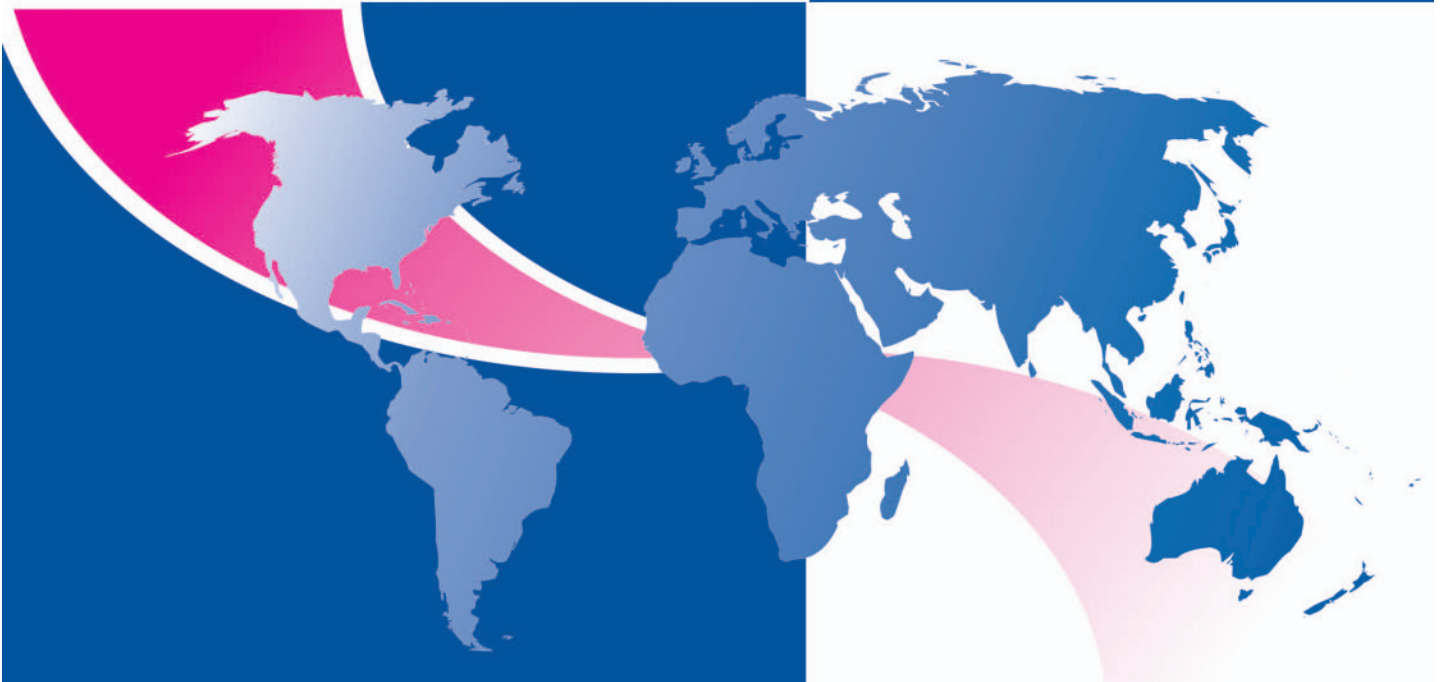


ACCESSORI 
ACCESSORIES 



FILTREC[®]
Technical Filtration

serie
FT



Serie FT

Tappi di riempimento con sfiato Filler breather filters



FILTER HOUSING

Description:

Filter media:

Max flow rate:

Basket:

Chain:

Materials:

Technical Information

Filler breathers filters

Cellulose 10, 40µ

- FT-5 200 l/min (53 gpm)
- FT-7 and FT-8 500 l/min (132 gpm)

500µ

FT-8-../1 and FT-8-../2 are equipped with a connection chain between cap and flange.

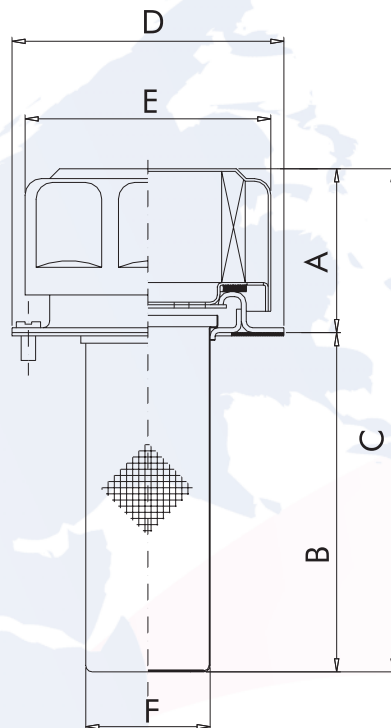
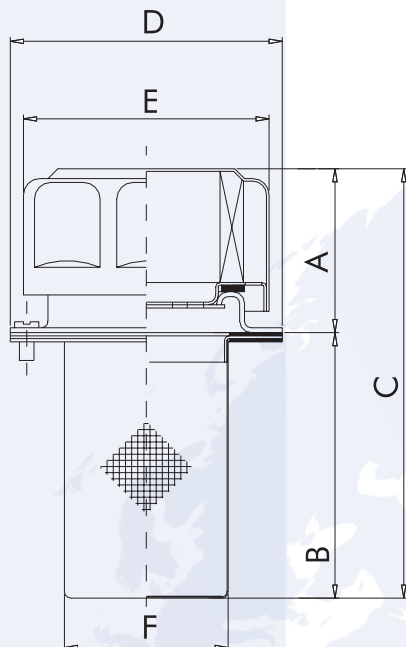
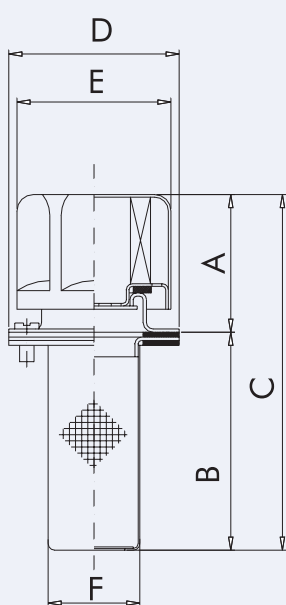
- Cap: chrome plated steel
- Basket: zinc steel
- Flange: zinc steel
- Gasket: cork

ORDER CODE	OUTER DIAMETER	TOTAL LENGTH	WIDTH OF BASKET	LENGTH OF BASKET	MOUNTING	AIR RATING INNER ELEMENT	PRESSURISED RATING	PRICE
STANDARD FILLER BREATHERS								
FT5C10	52MM	112MM	29MM	64MM	3 HOLE P.C.D 41MM	10 MICRON	N/A	£13.97
FT5C40	52MM	112MM	29MM	64MM	3 HOLE P.C.D 41MM	40 MICRON	N/A	£12.83
FT8C101	83MM	135MM	78MM	78MM	6 HOLE P.C.D 73MM	10 MICRON	N/A	£15.58
FT8C102	83MM	205MM	148MM	148MM	6 HOLE P.C.D 73MM	10 MICRON	N/A	£20.22
FT8C401	83MM	135MM	78MM	78MM	6 HOLE P.C.D 73MM	40 MICRON	N/A	£15.58
FT8C402	83MM	205MM	148MM	148MM	6 HOLE P.C.D 73MM	40 MICRON	N/A	£20.22
STANDARD LOCKABLE FILLER BREATHERS								
FT8C1010L	83MM	135MM	78MM	78MM	6 HOLE P.C.D 73MM	10 MICRON	N/A	£22.13
FT8C1020L	83MM	205MM	148MM	148MM	6 HOLE P.C.D 73MM	10 MICRON	N/A	£28.20
FT8C4010L	83MM	135MM	78MM	78MM	6 HOLE P.C.D 73MM	40 MICRON	N/A	£24.18
FT8C4020L	83MM	205MM	148MM	148MM	6 HOLE P.C.D 73MM	40 MICRON	N/A	£30.50
PRESSURISED FILLER BREATHERS								
FT8C101V03	83MM	135MM	78MM	78MM	6 HOLE P.C.D 73MM	10 MICRON	0.35 BAR (5 PSI)	£38.53
FT8C101V07	83MM	135MM	78MM	78MM	6 HOLE P.C.D 73MM	10 MICRON	0.75 BAR (10.8 PSI)	£38.53
FT8C102V03	83MM	205MM	148MM	148MM	6 HOLE P.C.D 73MM	10 MICRON	0.35 BAR (5 PSI)	£40.12
FT8C102V07	83MM	205MM	148MM	148MM	6 HOLE P.C.D 73MM	10 MICRON	0.75 BAR (10.8 PSI)	£40.12
FT8C401V03	83MM	135MM	78MM	78MM	6 HOLE P.C.D 73MM	40 MICRON	0.35 BAR (5 PSI)	£32.75
FT8C401V07	83MM	135MM	78MM	78MM	6 HOLE P.C.D 73MM	40 MICRON	0.75 BAR (10.8 PSI)	£32.75
FT8C402V03	83MM	205MM	148MM	148MM	6 HOLE P.C.D 73MM	40 MICRON	0.35 BAR (5 PSI)	£34.34
FT8C402V07	83MM	205MM	148MM	148MM	6 HOLE P.C.D 73MM	40 MICRON	0.75 BAR (10.8 PSI)	£34.34
PRESSURISED LOCKABLE FILLER BREATHERS								
FT8C101V03L	83MM	135MM	78MM	78MM	6 HOLE P.C.D 73MM	10 MICRON	0.35 BAR (5 PSI)	£48.71
FT8C101V07L	83MM	135MM	78MM	78MM	6 HOLE P.C.D 73MM	10 MICRON	0.75 BAR (10.8 PSI)	£48.71
FT8C102V03L	83MM	205MM	148MM	148MM	6 HOLE P.C.D 73MM	10 MICRON	0.35 BAR (5 PSI)	£48.71
FT8C102V07L	83MM	205MM	148MM	148MM	6 HOLE P.C.D 73MM	10 MICRON	0.75 BAR (10.8 PSI)	£48.71
FT8C401V03L	83MM	135MM	78MM	78MM	6 HOLE P.C.D 73MM	40 MICRON	0.35 BAR (5 PSI)	£42.93
FT8C401V07L	83MM	135MM	78MM	78MM	6 HOLE P.C.D 73MM	40 MICRON	0.75 BAR (10.8 PSI)	£42.93
FT8C402V03L	83MM	205MM	148MM	148MM	6 HOLE P.C.D 73MM	40 MICRON	0.35 BAR (5 PSI)	£44.52
FT8C402V07L	83MM	205MM	148MM	148MM	6 HOLE P.C.D 73MM	40 MICRON	0.75 BAR (10.8 PSI)	£44.52

ORDER CODE	CAP WIDTH	TOTAL LENGTH	WIDTH OF BASKET	AIR RATING INNER ELEMENT	CONNECTION	PRESSURISED RATING	PRICE
THREADED FILLER BREATHERS							
FT7C10B300	75MM	67MM	75MM	10 MICRON	1/2" BSP	N/A	£21.04
FT7C10B400	75MM	67MM	75MM	10 MICRON	3/4" BSP	N/A	£21.04
FT7C40B300	75MM	67MM	75MM	40 MICRON	1/2" BSP	N/A	£21.04
FT7C40B400	75MM	67MM	75MM	40 MICRON	3/4" BSP	N/A	£21.04
PRESSURISED FILLER BREATHERS							
FT7C10B3V03	75MM	67MM	75MM	10 MICRON	1/2" BSP	0.35 BAR (5 PSI)	£35.35
FT7C10B3V07	75MM	67MM	75MM	10 MICRON	1/2" BSP	0.75 BAR (10.8 PSI)	£35.35
FT7C10B4V03	75MM	67MM	75MM	10 MICRON	3/4" BSP	0.35 BAR (5 PSI)	£35.35
FT7C10B4V07	75MM	67MM	75MM	10 MICRON	3/4" BSP	0.75 BAR (10.8 PSI)	£35.35
FT7C40B3V03	75MM	67MM	75MM	40 MICRON	1/2" BSP	0.35 BAR (5 PSI)	£35.35
FT7C40B3V07	75MM	67MM	75MM	40 MICRON	1/2" BSP	0.75 BAR (10.8 PSI)	£35.35
FT7C40B4V03	75MM	67MM	75MM	40 MICRON	3/4" BSP	0.35 BAR (5 PSI)	£35.35
FT7C40B4V07	75MM	67MM	75MM	40 MICRON	3/4" BSP	0.75 BAR (10.8 PSI)	£35.35

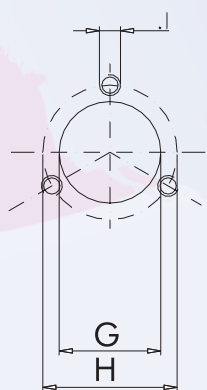
Informazioni dimensionali

Overall dimensions

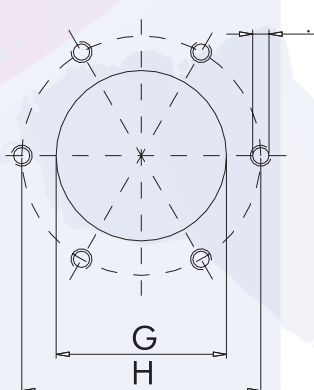


Foratura serbatoio

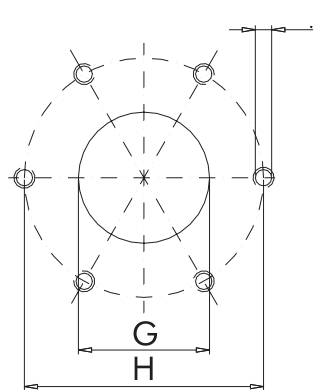
Tank hole dimensions



FT-5



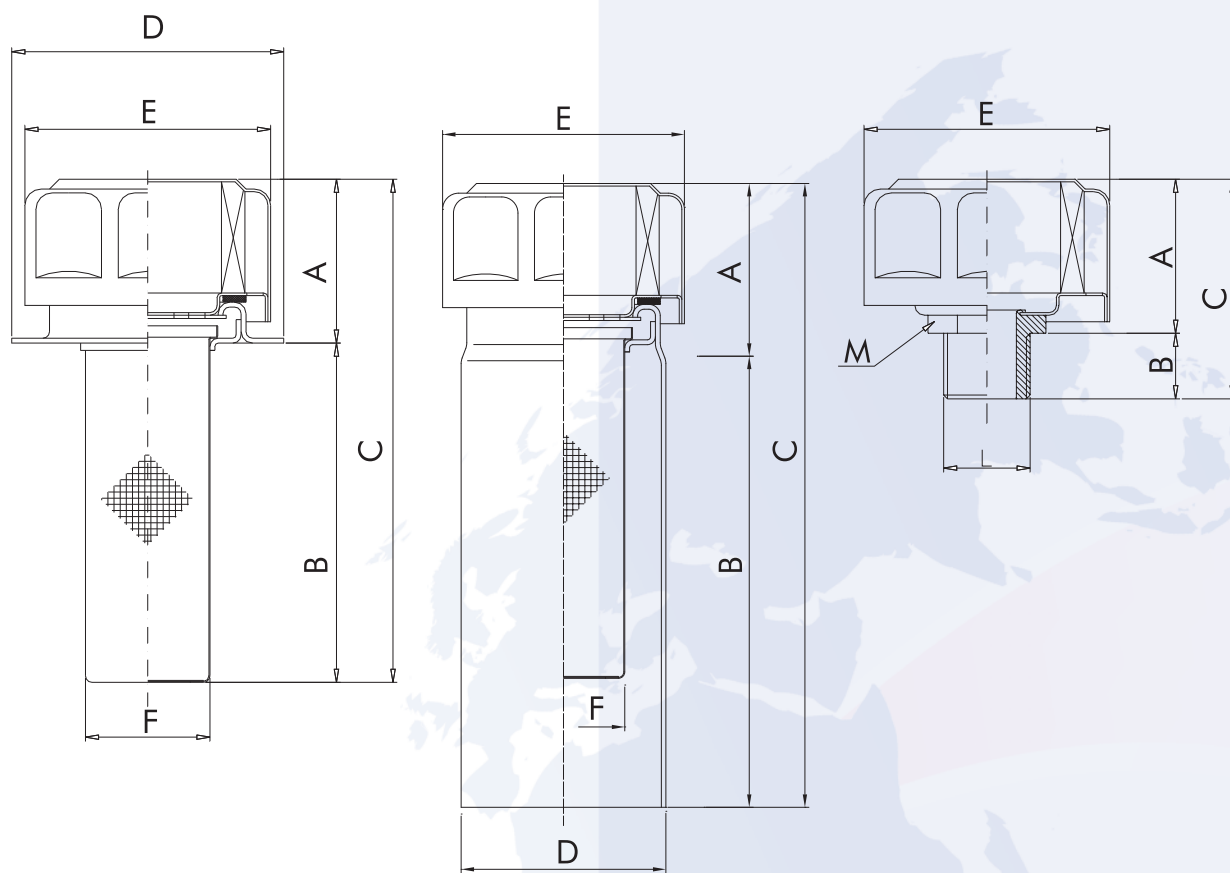
FT-8.../1
FT-8.../2



FT-8.../F

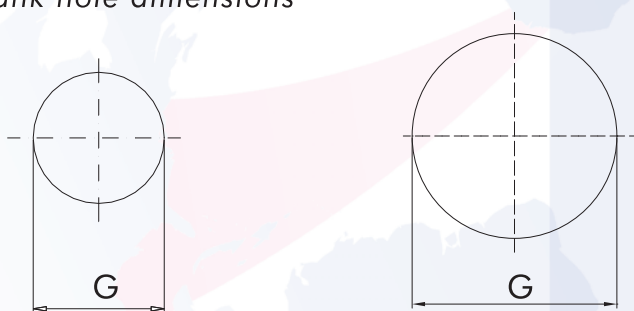
Informazioni dimensionali

Overall dimensions



Foratura serbatoio

Tank hole dimensions



FT-8.../G

FT-8.../S

FT-7

1) Grandezza nominale - Nominal size

Codice - Code	A	B	C	D	E	F	G	H	I	L	M	Catenella - Chain
FT-5	42	65	107	52	47	27,5	31	41	M5	---	---	No
FT-7	47	20	67	---	75	---	---	---	---	3/4" BSP - NPT 1/2" BSP - NPT	32	No
FT-8-.../1	50	80	130	83	75	50	52	73	M5	---	---	Si / Yes
FT-8-.../2	50	150	200	83	75	50	52	73	M5	---	---	Si / Yes
FT-8-.../F	50	100	150	83	75	38	40	73	M5	---	---	No
FT-8-.../G	50	100	150	83	75	38	40	---	---	---	---	No
FT-8-.../S	50	133	183	63,5	75	38	64	---	---	---	---	No

2) Grado di filtrazione - Filtration ratings

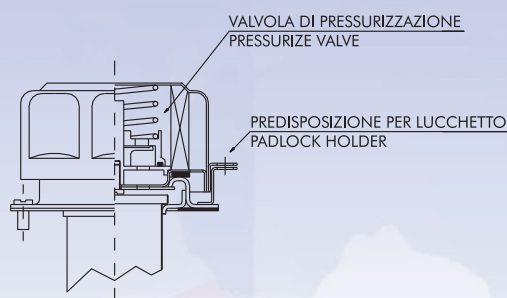
Codice - Code	Materiale - Media	Efficienza - Efficiency
C10	carta trattata / resin impregnated cellulose	$\beta_{10} \geq 2$
C40	carta trattata / resin impregnated cellulose	$\beta_{40} \geq 2$

3) Conessioni - Connection port

Codice - Code	Connessione - Connection
B3	1/2 " BSP
B4	3/4" BSP
N3	1/2" NPT
N4	3/4" NPT

4) Valvola di pressurizzazione - Pressurize valve

Codice - Code	Tipo indicatore - Indicator type	Note
0	senza / without	
V03	taratura 0,35 Bar setting 0,35 Bar (5 psi)	Non disponibile per FT-5 Not available for FT-5
V07	taratura 0,75 Bar setting 0,75 Bar (10,8 psi)	Not available for FT-5



5) Predisposizione per lucchetto - Padlock holder

Codice - Code	Predisp. lucchetto - Padlock holder
0	senza / without
L	con / with

Non disponibile per FT-5 e FT-7
Not available for FT-5 and FT-7

Codici per l'ordinazione - Ordering information

Serie FT-5 e FT-8
FT-5 and FT-8 series

FT-8	C10	/2	V07	L
1*	2*	1*	4*	5*

Serie FT-7
FT-7 series

FT-7	C10	B4	V07
1*	2*	3*	4*