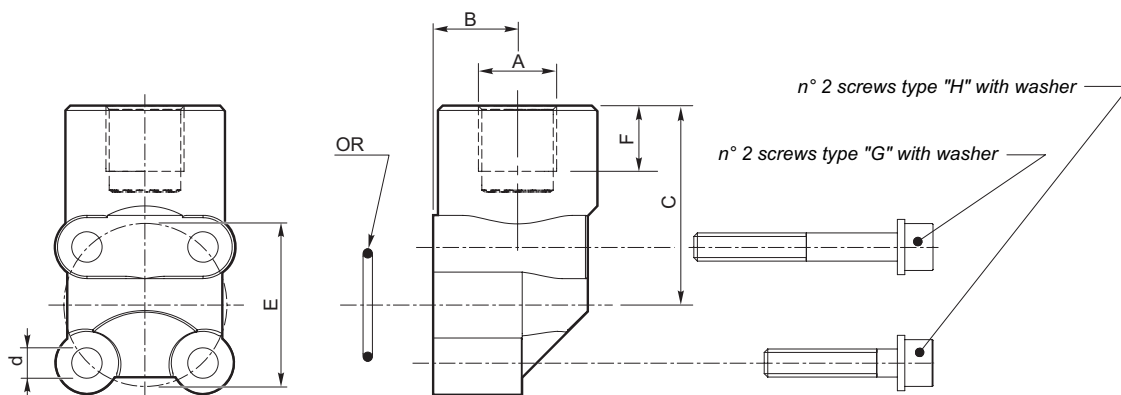


# PUMPS AND MOTORS ELBOW CONNECTORS

ELBOW CONNECTORS FOR PUMP PORT CONNECTIONS TYPE 'T' .....	303
ELBOW CONNECTORS FOR PUMP PORT CONNECTIONS TYPE 'N' .....	303



# ELBOW CONNECTORS FOR PUMP PORT CONNECTIONS TYPE 'T'



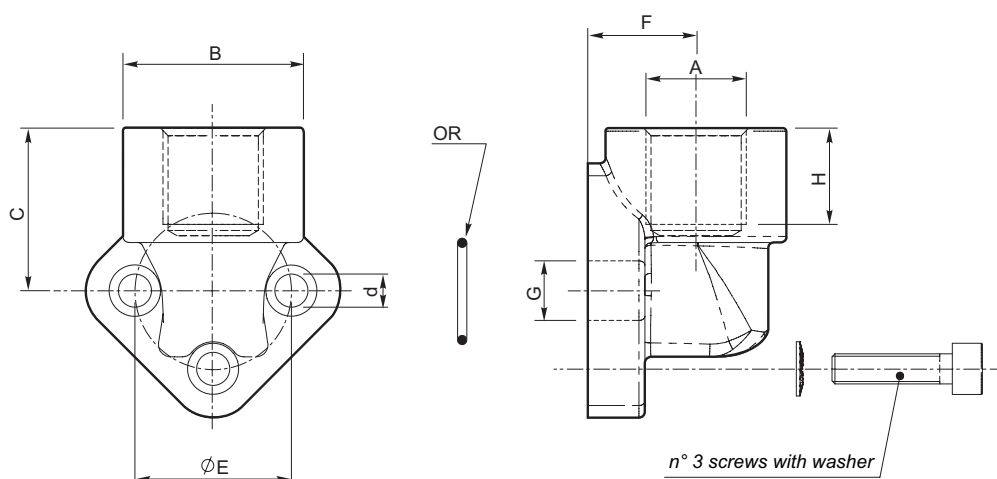
## STEEL

Type	A	B	C	d	E	F	OR	Screws type "H"	Screws type "G"	List Price £
<b>FG381BKA</b>	3/8" BSP	18 (0.709)	40 (1.575)	6.5 (0.256)	35 (1.378)	16 (0.630)	18.72 x 2.62	M6x20 UNI 5931	M6x35 UNI 5931	£23.13
<b>FG121BKA</b>	1/2" BSP	18 (0.709)	40 (1.575)	6.5 (0.256)	35 (1.378)	16 (0.630)	18.72 x 2.62	M6x20 UNI 5931	M6x35 UNI 5931	£23.13
<b>FG122BKA</b>	1/2" BSP	24 (0.945)	41.5 (1.634)	6.5 (0.256)	40 (1.575)	16 (0.630)	23.81 x 2.62	M6x20 UNI 5931	M6x45 UNI 5931	£28.51
<b>FG342BKA</b>	3/4" BSP	24 (0.945)	41.5 (1.634)	6.5 (0.256)	40 (1.575)	16 (0.630)	23.81 x 2.62	M6x20 UNI 5931	M6x45 UNI 5931	£28.51

## ALUMINIUM

Type	A	B	C	d	E	F	OR	Screws type "H"	Screws type "G"	List Price £
<b>FG381BKAL</b>	3/8" BSP	18 (0.709)	40 (1.575)	6.5 (0.256)	35 (1.378)	16 (0.630)	18.72 x 2.62	M6x30 UNI 5931	M6x45 UNI 5931	£16.94
<b>FG121BKAL</b>	1/2" BSP	18 (0.709)	40 (1.575)	6.5 (0.256)	35 (1.378)	16 (0.630)	18.72 x 2.62	M6x30 UNI 5931	M6x45 UNI 5931	£16.94
<b>FG122BKAL</b>	1/2" BSP	24 (0.945)	41.5 (1.634)	6.5 (0.256)	40 (1.575)	16 (0.630)	23.81 x 2.62	M6x35 UNI 5931	M6x55 UNI 5931	£25.44
<b>FG342BKAL</b>	3/4" BSP	24 (0.945)	41.5 (1.634)	6.5 (0.256)	40 (1.575)	16 (0.630)	23.81 x 2.62	M6x35 UNI 5931	M6x55 UNI 5931	£25.44

# ELBOW CONNECTORS FOR PUMP PORT CONNECTIONS TYPE 'N'



## STEEL

Type	A	B	C	d	E	F	G	H	List Price £
<b>FG3826</b>	3/8" BSP	30 (1.181)	27.5 (1.083)	5.5 (0.217)	26 (1.024)	17 (0.669)	11 (0.433)	12 (0.472)	£11.17
<b>FG3830</b>	3/8" BSP	30 (1.181)	27.5 (1.083)	6.5 (0.256)	30 (1.181)	17 (0.669)	12 (0.472)	12 (0.472)	£11.17
<b>FG1230</b>	1/2" BSP	30 (1.181)	27.5 (1.083)	6.5 (0.256)	30 (1.181)	17 (0.669)	12 (0.472)	12 (0.472)	£11.17
<b>FG3440</b>	3/4" BSP	38 (1.496)	36 (1.417)	8.5 (0.335)	40 (1.575)	21 (0.817)	19 (0.748)	16 (0.630)	£14.28
<b>FG151</b>	1" BSP	45 (1.772)	47 (1.850)	10.5 (0.413)	51 (2.008)	26 (1.024)	25 (0.984)	18 (0.709)	£23.12
<b>FG112725</b>	1 1/2" BSP	63 (2.480)	56 (2.205)	13 (0.512)	72.5 (2.854)	34.5 (1.358)	40 (1.575)	24 (0.945)	£52.63