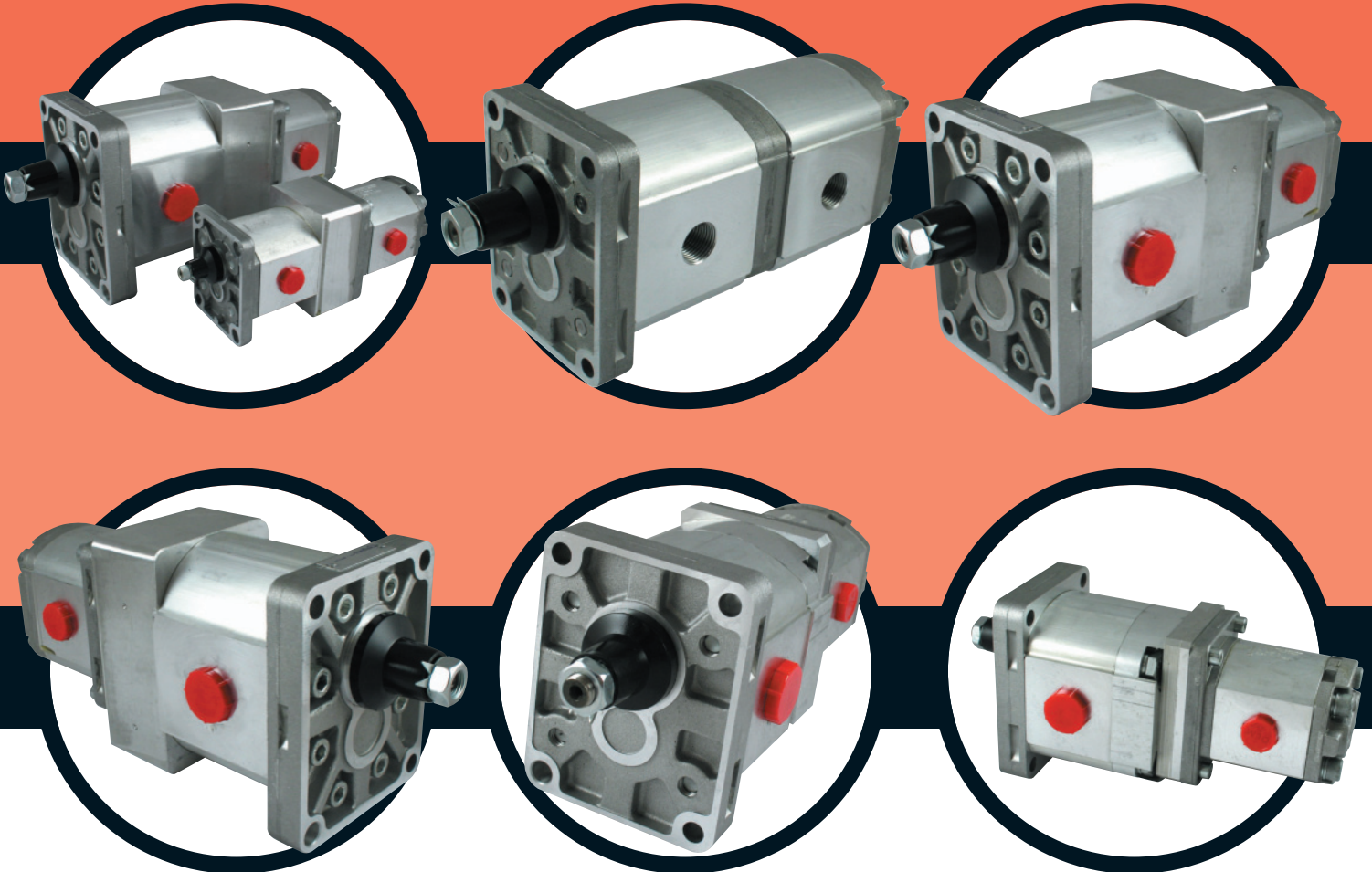


MULTIPLE GEAR PUMPS

TECHNICAL FEATURES	287
DESIGNATION	288
GROUP 1 + GROUP 1	289
GROUP 2 + GROUP 1	291
GROUP 2 + GROUP 2	294
GROUP 3 + GROUP 1	296
GROUP 3 + GROUP 2	298
GROUP 3 + GROUP 3	300
GROUP 1 GEAR PUMPS + GEAR MOTORS PRICE LIST	301
GROUP 2 GEAR PUMPS + GEAR MOTORS PRICE LIST	301
GROUP 3 GEAR PUMPS + GEAR MOTORS PRICE LIST	301



DESCRIPTION

The multiple pumps are available in STANDARD and T.C. (short-tandem) versions.

The versatility of our pumps permits the assembling of a multiple pump using a single pump and making only a simple operation of disassembly/assembly.

- All our standard pumps are already present to engage another pump.
- A very limited quantity of kit "flange connections and accessories" gives a small stock value and mainly a rapid assistance to final users.

- The total of the torque absorbed by each pump shall be not in excess of the max. allowed torque on main shaft (see below scheme)

The max. torque absorbed by the follow pumps shall be not in excess of the torque transmitted by the rear draft gear.

- The power absorbed by the multiple pump is determined from total powers that each pump absorbed and it is calculated as follow:

$$P = \frac{c \times n \times p}{603000}$$

in which:

P = Max. absorbed power (Kw)

c = Pump displacement (cm³/rev)

n = Max. working speed (rpm)

p = Max. working pressure (bar)

TECHNICAL FEATURES

- Performance of units composing multiple pumps are the same as these of the corresponding single pumps.
- Max. rotation speed of multiple pumps is given by slower pump.
- Max. torque absorbed by each simple unit to grant a working limit at max. working pressure is calculated in the following way:

$$M = \frac{c \times p}{64}$$

in which:

M = Max absorbed input torque (ft·lbs)

c = Pump displacement (cm³/rev)

p = Max. working pressure (bar)

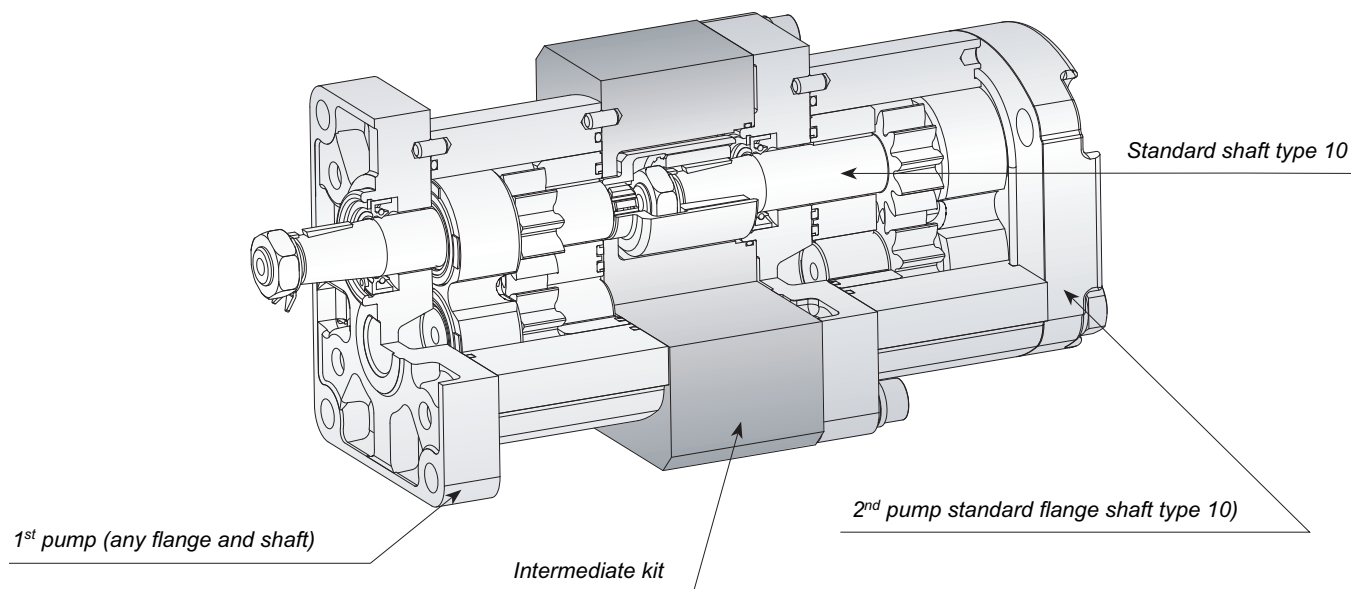
	Torque transmitted by the draft pump [Nm] (ft·lbs)								Torque transmitted by rear draft [Nm] (ft·lbs)
	Type 10	Type 11	Type 12	Type 13	Type 14	Type 15	Type 16	Type 17/27	
GR 1	18 (13.3)	18 (13.3)		30 (22.1)	30 (22.1)	30 (22.1)		12 (8.9)	18 (13.3)
GR 2	98 (72.3)	98 (72.3)	98 (72.3)	98 (72.3)	98 (72.3)	98 (72.3)	98 (72.3)	70 (51.6)	75 (55.3)
GR 3	240 (177)			240 (177)	240 (177)				240 (177)
GR 4	750 (553)								750 (553)

ORDERING CODE – TANDEMS

Tandem STANDARD

Are possible different combinations of all the group pumps (Gr.1 - Gr.2 - Gr.3 and Gr.4).

The suction of each pump is independent.



Example of ordering code

2SP A14 + 1SP A4.2 D SAE A - 10 G (VT)

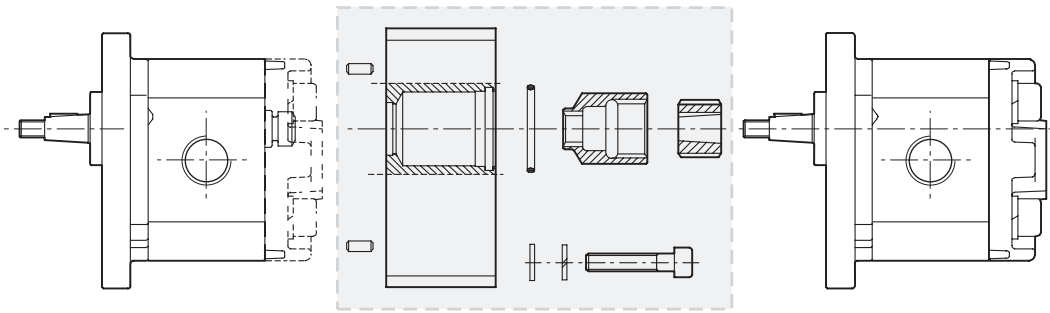
2SP A14	First pump type	
1SP A4.2	Second pump type	
D	Clockwise rotation	D = Clockwise rotation S = Anticlockwise rotation
SAE A	Flange and version first pump flange	See corresponding single pump
10	Shaft type first pump	
G	Connections type	
(VT)	Optional	

Example of ordering code

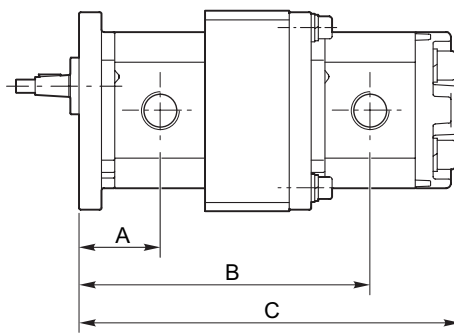
3SP A36 + 2SP A14 + 1SP A3.2 D SAE B - 10 G (VT)

3SP A36	First pump type	
2SP A14	Second pump type	
1SP A3.2	Third pump type	
D	Clockwise rotation	D = Clockwise rotation S = Anticlockwise rotation
SAE B	Flange and version first pump flange	See corresponding single pump
10	Shaft type first pump	
G	Connections type	
(VT)	Optional	

GROUP 1 + GROUP 1



kit order code **01091100000000**



kit order code **01091100000000**

kit order code **01091100000000**

		mm (inch)		
		A	B	C
1SP A9.8	A9.8	52.2 (2.053)	177.9 (7.006)	234.1 (9.217)
	A7.8	52.2 (2.053)	174.0 (6.850)	226.2 (8.906)
	A6.3	52.2 (2.053)	171.2 (6.738)	220.5 (8.681)
	A5.0	52.2 (2.053)	168.6 (6.638)	215.4 (8.480)
	A4.2	52.2 (2.053)	167.1 (6.577)	212.3 (8.358)
	A3.7	52.2 (2.053)	166.1 (6.539)	210.4 (8.283)
	A3.2	52.2 (2.053)	165.1 (6.500)	208.4 (8.205)
	A2.5	52.2 (2.053)	163.8 (6.447)	205.7 (8.098)
	A2.0	52.2 (2.053)	162.8 (6.407)	203.7 (8.020)
	A1.6	52.2 (2.053)	162.0 (6.378)	202.2 (7.961)
	A1.2	52.2 (2.053)	161.2 (6.344)	200.5 (7.894)
	A0.9	52.2 (2.053)	160.6 (6.323)	199.4 (7.850)

		mm (inch)		
		A	B	C
1SP A7.8	A7.8	48.2 (1.898)	166.1 (6.539)	218.3 (8.594)
	A6.3	48.2 (1.898)	163.3 (6.427)	212.6 (8.370)
	A5.0	48.2 (1.898)	160.7 (6.327)	207.5 (8.169)
	A4.2	48.2 (1.898)	159.2 (6.266)	204.4 (8.047)
	A3.7	48.2 (1.898)	158.2 (6.228)	202.5 (7.972)
	A3.2	48.2 (1.898)	157.2 (6.189)	200.5 (7.894)
	A2.5	48.2 (1.898)	155.9 (6.136)	197.8 (7.787)
	A2.0	48.2 (1.898)	154.9 (6.096)	195.8 (7.709)
	A1.6	48.2 (1.898)	154.1 (6.067)	194.3 (7.650)
	A1.2	48.2 (1.898)	153.3 (6.033)	192.6 (7.583)
	A0.9	48.2 (1.898)	152.7 (6.012)	191.5 (7.539)

With SAE AA flange increase A, B, and C dimensions of 0.138 inch

SEE PAGE 301 FOR PRICES

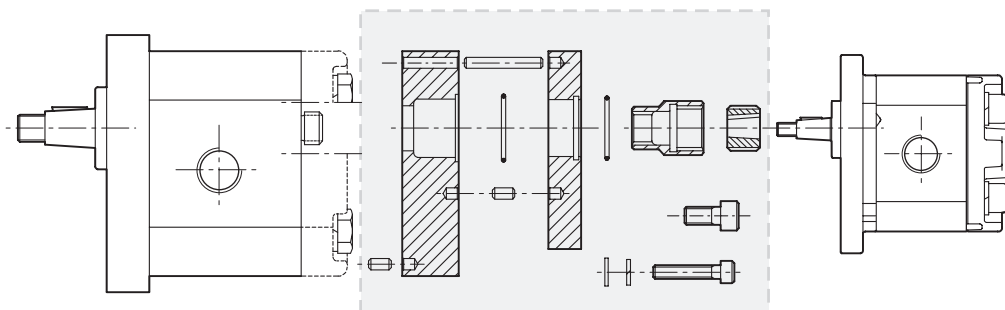
kit order code 01091100000000

kit order code 01091100000000

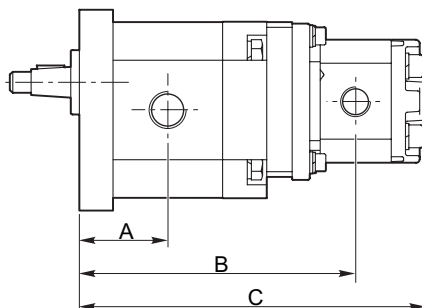
		mm (inch)		
		A	B	C
1SP A6.3	A6.3	45.4 (1.785)	157.6 (6.203)	206.9 (8.146)
	A5.0	45.4 (1.785)	155.0 (6.102)	201.8 (7.945)
	A4.2	45.4 (1.785)	153.5 (6.041)	198.7 (7.823)
	A3.7	45.4 (1.785)	152.5 (6.004)	196.8 (7.748)
	A3.2	45.4 (1.785)	151.5 (5.965)	194.8 (7.669)
	A2.5	45.4 (1.785)	150.2 (5.911)	192.1 (7.563)
	A2.0	45.4 (1.785)	149.2 (5.872)	190.1 (7.484)
	A1.6	45.4 (1.785)	148.4 (5.843)	188.6 (7.425)
	A1.2	45.4 (1.785)	147.6 (5.809)	186.9 (7.358)
	A0.9	45.4 (1.785)	147.0 (5.787)	185.8 (7.315)
1SP A5.0	A5.0	42.8 (1.685)	149.9 (5.902)	196.7 (7.744)
	A4.2	42.8 (1.685)	148.4 (5.841)	193.6 (7.622)
	A3.7	42.8 (1.685)	147.4 (5.803)	191.7 (7.547)
	A3.2	42.8 (1.685)	146.4 (5.764)	189.7 (7.469)
	A2.5	42.8 (1.685)	145.1 (5.711)	187.0 (7.362)
	A2.0	42.8 (1.685)	144.1 (5.671)	185.0 (7.283)
	A1.6TC	42.8 (1.685)	143.3 (5.642)	183.5 (7.224)
	A1.2TC	42.8 (1.685)	142.5 (5.608)	181.8 (7.157)
	A0.9TC	42.8 (1.685)	141.9 (5.587)	180.7 (7.114)
	1SP A4.2	A4.2TC	41.3 (1.624)	145.3 (5.719)
A3.7TC		41.3 (1.624)	144.3 (5.681)	188.6 (7.425)
A3.2TC		41.3 (1.624)	143.3 (5.642)	186.6 (7.346)
A2.5TC		41.3 (1.624)	141.9 (5.589)	183.9 (7.240)
A2.0TC		41.3 (1.624)	140.9 (5.549)	181.9 (7.161)
A1.6TC		41.3 (1.624)	140.2 (5.520)	180.4 (7.102)
A1.2TC		41.3 (1.624)	139.4 (5.486)	178.7 (7.035)
A0.9TC		41.3 (1.624)	138.8 (5.465)	177.6 (6.992)

		mm (inch)				
		A	B	C		
1SP A3.7	A3.7TC	40.3 (1.587)	142.4 (5.606)	186.7 (7.350)		
	A3.2TC	40.3 (1.587)	141.4 (5.567)	184.7 (7.272)		
	A2.5TC	40.3 (1.587)	140.1 (5.514)	182.0 (7.165)		
	A2.0TC	40.3 (1.587)	139.1 (5.474)	180.0 (7.087)		
	A1.6TC	40.3 (1.587)	138.3 (5.445)	178.5 (7.028)		
	A1.2TC	40.3 (1.587)	137.5 (5.411)	176.8 (6.961)		
	A0.9TC	40.3 (1.587)	136.9 (5.390)	175.7 (6.917)		
	1SP A3.2	A3.2TC	39.3 (1.547)	139.4 (5.488)	182.7 (7.193)	
		A2.5TC	39.3 (1.547)	138.1 (5.435)	180.0 (7.087)	
		A2.0TC	39.3 (1.547)	137.1 (5.396)	178.0 (7.008)	
A1.6TC		39.3 (1.547)	136.3 (5.366)	176.5 (6.949)		
A1.2TC		39.3 (1.547)	135.5 (5.333)	174.8 (6.882)		
A0.9TC		39.3 (1.547)	134.9 (5.311)	173.7 (6.839)		
1SP A2.5		A2.5TC	37.9 (1.494)	135.4 (5.329)	177.3 (6.980)	
		A2.0TC	37.9 (1.494)	134.4 (5.289)	175.3 (6.902)	
		A1.6TC	37.9 (1.494)	133.6 (5.260)	173.8 (6.843)	
		A1.2TC	37.9 (1.494)	132.8 (5.226)	172.1 (6.776)	
	A0.9TC	37.9 (1.494)	132.2 (5.205)	171.0 (6.732)		
	1SP A2.0	A2.0TC	36.9 (1.455)	132.4 (5.211)	173.3 (6.823)	
		A1.6TC	36.9 (1.455)	131.6 (5.181)	171.8 (6.764)	
		A1.2TC	36.9 (1.455)	130.8 (5.148)	170.1 (6.697)	
		A0.9TC	36.9 (1.455)	130.2 (5.126)	169.0 (6.654)	
		1SP A1.6	A1.6TC	36.2 (1.425)	130.1 (5.122)	170.3 (6.705)
A1.2TC			36.2 (1.425)	129.3 (5.089)	168.6 (6.638)	
A0.9TC			36.2 (1.425)	128.7 (5.067)	167.5 (6.594)	
1SP A1.2			A1.2TC	35.4 (1.392)	127.6 (5.022)	166.9 (6.571)
			A0.9TC	35.35 (1.392)	127.0 (5.000)	165.8 (6.528)
			1SP A0.9	A0.9TC	34.8 (1.370)	125.9 (4.957)

SEE PAGE 301 FOR PRICES



kit order code **01092110000000**



kit order code **01092110000000**

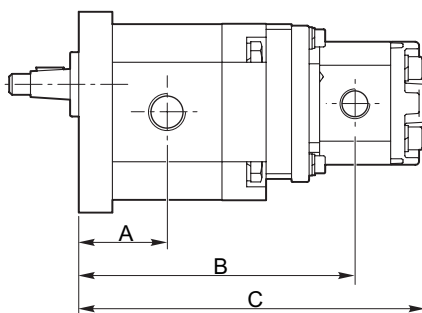
kit order code **01092110000000**

		mm (inch)			
		A	B	C	
2SP...26	+ 1SPA	9.8 (2.469)	62.7 (2.469)	198.1 (7.797)	254.2 (10.008)
		7.8 (2.469)	62.7 (2.469)	194.1 (7.642)	246.3 (9.697)
		6.3 (2.469)	62.7 (2.469)	191.3 (7.530)	240.6 (9.472)
		5 (2.469)	62.7 (2.469)	188.7 (7.429)	235.5 (9.272)
		4.2 (2.469)	62.7 (2.469)	187.2 (7.368)	232.4 (9.150)
		3.7 (2.469)	62.7 (2.469)	186.2 (7.331)	230.5 (9.075)
		3.2 (2.469)	62.7 (2.469)	185.2 (7.291)	228.5 (8.996)
		2.5 (2.469)	62.7 (2.469)	183.9 (7.238)	225.8 (8.890)
		2 (2.469)	62.7 (2.469)	182.9 (7.199)	223.8 (8.811)
		1.6 (2.469)	62.7 (2.469)	182.1 (7.169)	222.3 (8.752)
		1.2 (2.469)	62.7 (2.469)	181.3 (7.136)	220.6 (8.685)
	0.9 (2.469)	62.7 (2.469)	180.7 (7.114)	219.5 (8.642)	

		mm (inch)			
		A	B	C	
2SP...22	+ 1SPA	9.8 (2.354)	59.8 (2.354)	192.3 (7.569)	248.4 (9.780)
		7.8 (2.354)	59.8 (2.354)	188.3 (7.413)	240.5 (9.469)
		6.3 (2.354)	59.8 (2.354)	185.5 (7.301)	234.8 (9.244)
		5 (2.354)	59.8 (2.354)	182.9 (7.201)	229.7 (9.043)
		4.2 (2.354)	59.8 (2.354)	181.4 (7.140)	226.6 (8.921)
		3.7 (2.354)	59.8 (2.354)	180.4 (7.102)	224.7 (8.846)
		3.2 (2.354)	59.8 (2.354)	179.4 (7.063)	222.7 (8.768)
		2.5 (2.354)	59.8 (2.354)	178.05 (7.010)	220.0 (8.661)
		2 (2.354)	59.8 (2.354)	177.1 (6.970)	218.0 (8.583)
		1.6 (2.354)	59.8 (2.354)	176.3 (6.941)	216.5 (8.524)
		1.2 (2.354)	59.8 (2.354)	175.5 (6.907)	214.8 (8.457)
	0.9 (2.354)	59.8 (2.354)	174.9 (6.886)	213.7 (8.413)	

With B80C flange increase A, B, and C dimensions of 0.079 inch
 With E52C flange decrease A, B, and C dimensions of 0.106 inch

SEE PAGE 301 FOR PRICES



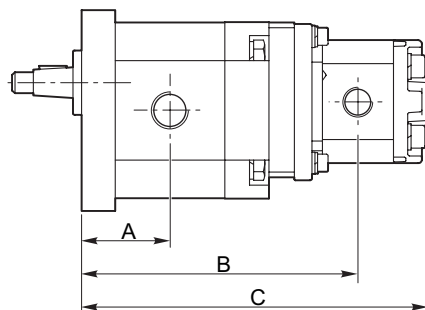
kit order code **010921100000000**

kit order code **010921100000000**

		mm (inch)			
		A	B	C	
2SP...19	+ 1SPA	9.8	57.3 (2.256)	187.3 (7.372)	243.4 (9.583)
		7.8	57.3 (2.256)	183.3 (7.217)	235.5 (9.272)
		6.3	57.3 (2.256)	180.5 (7.104)	229.8 (9.047)
		5	57.3 (2.256)	177.9 (7.004)	224.7 (8.846)
		4.2	57.3 (2.256)	176.4 (6.943)	221.6 (8.724)
		3.7	57.3 (2.256)	175.4 (6.906)	219.7 (8.650)
		3.2	57.3 (2.256)	174.4 (6.866)	217.7 (8.571)
		2.5	57.3 (2.256)	173.1 (6.813)	215.0 (8.465)
		2	57.3 (2.256)	172.1 (6.774)	213.0 (8.386)
		1.6	57.3 (2.256)	171.3 (6.744)	211.5 (8.327)
		1.2	57.3 (2.256)	170.5 (6.711)	209.8 (8.260)
		0.9	57.3 (2.256)	169.9 (6.689)	208.7 (8.217)
2SP...16	+ 1SPA	9.8	54.8 (2.157)	182.3 (7.175)	238.4 (9.386)
		7.8	54.8 (2.157)	178.3 (7.020)	230.5 (9.075)
		6.3	54.8 (2.157)	175.5 (6.907)	224.8 (8.850)
		5	54.8 (2.157)	172.9 (6.807)	219.7 (8.650)
		4.2	54.8 (2.157)	171.4 (6.746)	216.6 (8.528)
		3.7	54.8 (2.157)	170.4 (6.709)	214.7 (8.453)
		3.2	54.8 (2.157)	169.4 (6.669)	212.7 (8.374)
		2.5	54.8 (2.157)	168.1 (6.616)	210.0 (8.268)
		2	54.8 (2.157)	167.1 (6.577)	208.0 (8.189)
		1.6	54.8 (2.157)	166.3 (6.547)	206.5 (8.130)
		1.2	54.8 (2.157)	165.5 (6.514)	204.8 (8.063)
		0.9	54.8 (2.157)	164.9 (6.492)	203.7 (8.020)

		mm (inch)			
		A	B	C	
2SP...14	+ 1SPA	9.8	52.7 (2.075)	178.1 (7.010)	234.2 (9.220)
		7.8	52.7 (2.075)	174.1 (6.854)	226.3 (8.909)
		6.3	52.7 (2.075)	171.3 (6.742)	220.6 (8.685)
		5	52.7 (2.075)	168.7 (6.642)	215.5 (8.484)
		4.2	52.7 (2.075)	167.2 (6.581)	212.4 (8.362)
		3.7	52.7 (2.075)	166.2 (6.543)	210.5 (8.287)
		3.2	52.7 (2.075)	165.2 (6.504)	208.5 (8.209)
		2.5	52.7 (2.075)	163.9 (6.451)	205.8 (8.102)
		2	52.7 (2.075)	162.9 (6.411)	203.8 (8.024)
		1.6	52.7 (2.075)	162.1 (6.382)	202.3 (7.965)
		1.2	52.7 (2.075)	161.3 (6.348)	200.6 (7.898)
		0.9	52.7 (2.075)	160.7 (6.327)	199.5 (7.854)
2SP...11	+ 1SPA	9.8	50.2 (1.976)	173.1 (6.813)	229.2 (9.024)
		7.8	50.2 (1.976)	169.1 (6.657)	221.3 (8.713)
		6.3	50.2 (1.976)	166.3 (6.545)	215.6 (8.488)
		5	50.2 (1.976)	163.7 (6.445)	210.5 (8.287)
		4.2	50.2 (1.976)	162.2 (6.384)	207.4 (8.165)
		3.7	50.2 (1.976)	161.2 (6.346)	205.5 (8.091)
		3.2	50.2 (1.976)	160.2 (6.307)	203.5 (8.012)
		2.5	50.2 (1.976)	158.9 (6.254)	200.8 (7.906)
		2	50.2 (1.976)	157.9 (6.215)	198.8 (7.827)
		1.6	50.2 (1.976)	157.1 (6.185)	197.3 (7.768)
		1.2	50.2 (1.976)	156.3 (6.152)	195.6 (7.701)
		0.9	50.2 (1.976)	155.7 (6.130)	194.5 (7.657)

SEE PAGE 301 FOR PRICES



kit order code **01092110000000**

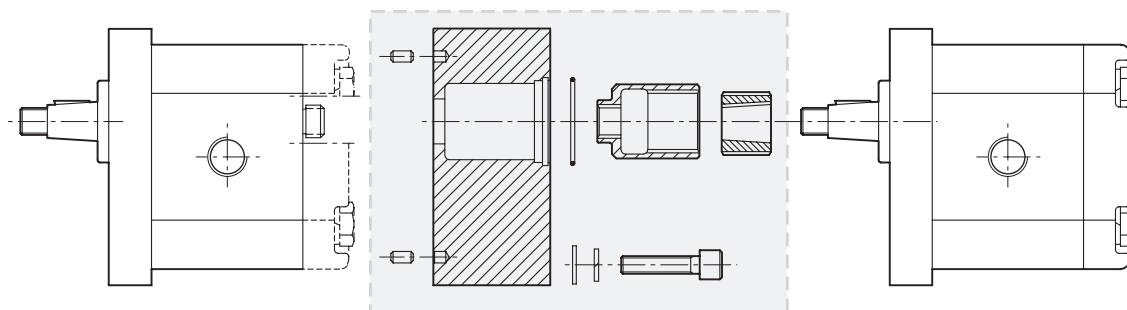
kit order code **01092110000000**

		mm (inch)			
		A	B	C	
2SP...8	+ 1SPA	9.8	48.2 (1.896)	168.9 (6.652)	225.1 (8.862)
		7.8	48.2 (1.896)	165.0 (6.496)	217.2 (8.551)
		6.3	48.2 (1.896)	162.2 (6.384)	211.5 (8.327)
		5	48.2 (1.896)	159.6 (6.283)	206.4 (8.126)
		4.2	48.2 (1.896)	158.1 (6.222)	203.3 (8.004)
		3.7	48.2 (1.896)	157.1 (6.185)	201.4 (7.929)
		3.2	48.2 (1.896)	156.1 (6.146)	199.4 (7.850)
		2.5	48.2 (1.896)	154.8 (6.093)	196.7 (7.744)
		2	48.2 (1.896)	153.8 (6.053)	194.7 (7.665)
		1.6	48.2 (1.896)	153.0 (6.024)	193.2 (7.606)
		1.2	48.2 (1.896)	152.2 (5.990)	191.5 (7.539)
		0.9	48.2 (1.896)	151.6 (5.969)	190.4 (7.496)
2SP...6	+ 1SPA	9.8	46.1 (1.813)	164.8 (6.486)	220.9 (8.697)
		7.8	46.1 (1.813)	160.8 (6.331)	213.0 (8.386)
		6.3	46.1 (1.813)	157.9 (6.219)	207.3 (8.161)
		5	46.1 (1.813)	155.4 (6.118)	202.2 (7.961)
		4.2	46.1 (1.813)	153.9 (6.057)	199.1 (7.839)
		3.7	46.1 (1.813)	152.9 (6.020)	197.2 (7.764)
		3.2	46.1 (1.813)	151.9 (5.980)	195.2 (7.685)
		2.5	46.1 (1.813)	150.6 (5.927)	192.5 (7.579)
		2	46.1 (1.813)	149.6 (5.888)	190.5 (7.500)
		1.6	46.1 (1.813)	148.8 (5.858)	189.0 (7.441)
		1.2	46.1 (1.813)	147.9 (5.825)	187.3 (7.374)
		0.9	46.1 (1.813)	147.4 (5.803)	186.2 (7.331)

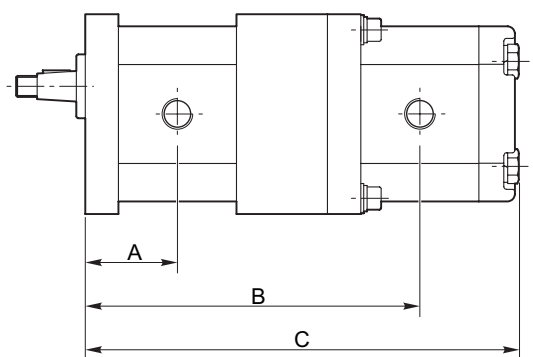
		mm (inch)			
		A	B	C	
2SP...4	+ 1SPA	9.8	44.4 (1.748)	168.9 (6.652)	217.6 (8.567)
		7.8	44.4 (1.748)	194.1 (7.642)	209.7 (8.256)
		6.3	44.4 (1.748)	191.3 (7.530)	204.0 (8.032)
		5	44.4 (1.748)	188.7 (7.429)	198.9 (7.831)
		4.2	44.4 (1.748)	187.2 (7.368)	195.8 (7.709)
		3.7	44.4 (1.748)	186.2 (7.331)	193.9 (7.634)
		3.2	44.4 (1.748v)	185.2 (7.291)	191.9 (7.555)
		2.5	44.4 (1.748)	183.9 (7.238)	189.2 (7.449)
		2	44.4 (1.748)	182.9 (7.199)	187.2 (7.370)
		1.6	44.4 (1.748)	182.1 (7.169)	185.7 (7.311)
		1.2	44.4 (1.748)	181.3 (7.136)	184.0 (7.244)
		0.9	44.4 (1.748)	180.7 (7.114)	182.9 (7.201)

With B80C flange increase A, B, and C dimensions of 0.079 inch
 With E52C flange decrease A, B, and C dimensions of 0.106 inch

SEE PAGE 301 FOR PRICES



kit order code **01092200000000**



kit order code **01092200000000**

				mm (inch)		
				A	B	C
2SP ...4	+ 2SP ...	4		44.4	166.2	214.8
				(1.748)	(6.543)	(8.457)
2SP ...6	+ 2SP ...	6		46.0	171.2	221.4
				(1.811)	(6.740)	(8.717)
2SP ...6	+ 2SP ...	4		46.0	169.5	218.1
				(1.811)	(6.673)	(8.587)
2SP ...8	+ 2SP ...	8		48.1	177.5	229.8
				(1.894)	(6.988)	(9.047)
2SP ...8	+ 2SP ...	6		48.1	175.4	225.6
				(1.894)	(6.906)	(8.882)
2SP ...8	+ 2SP ...	4		48.1	173.7	222.3
				(1.894)	(6.839)	(8.752)

kit order code **01092200000000**

				mm (inch)		
				A	B	C
2SP ...11	+ 2SP ...	11		50.2	183.6	238.0
				(1.976)	(7.228)	(9.370)
2SP ...11	+ 2SP ...	8		50.2	181.6	233.9
				(1.976)	(7.150)	(9.209)
2SP ...11	+ 2SP ...	6		50.2	179.5	229.7
				(1.976)	(7.067)	(9.043)
2SP ...11	+ 2SP ...	4		50.2	177.8	226.4
				(1.976)	(7.000)	(8.913)
2SP ...14	+ 2SP ...	14		52.7	191.1	248.0
				(2.075)	(7.524)	(9.764)
2SP ...14	+ 2SP ...	11		52.7	188.6	243.0
				(2.075)	(7.425)	(9.567)
2SP ...14	+ 2SP ...	8		52.7	186.6	238.9
				(2.075)	(7.346)	(9.406)
2SP ...14	+ 2SP ...	6		52.7	184.5	234.7
				(2.075)	(7.264)	(9.240)
2SP ...14	+ 2SP ...	4		52.7	182.8	231.4
				(2.075)	(7.197)	(9.110)

SEE PAGE 301 FOR PRICES

GROUP 2 + GROUP 2



kit order code 01092200000000

mm (inch)

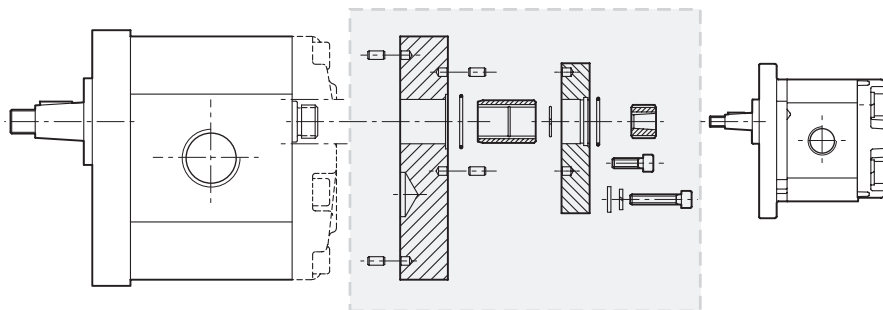
		A	B	C
2SP ...16 + 2SP ...	16	54.8 (2.157)	197.4 (7.772)	256.4 (10.094)
	14	54.8 (2.157)	195.3 (7.689)	252.2 (9.929)
	11	54.8 (2.157)	192.8 (7.591)	247.2 (9.732)
	8	54.8 (2.157)	190.8 (7.512)	243.1 (9.571)
	6	54.8 (2.157)	188.7 (7.429)	238.9 (9.406)
	4	54.8 (2.157)	187.0 (7.362)	235.6 (9.276)
2SP ...19 + 2SP ...	19	57.3 (2.256)	204.9 (8.067)	266.4 (10.488)
	16	57.3 (2.256)	202.4 (7.969)	261.4 (10.291)
	14	57.3 (2.256)	200.3 (7.886)	257.2 (10.126)
	11	57.3 (2.256)	197.8 (7.787)	252.2 (9.929)
	8	57.3 (2.256)	195.8 (7.709)	248.1 (9.768)
	6	57.3 (2.256)	193.7 (7.626)	243.9 (9.602)
	4	57.3 (2.256)	192.0 (7.559)	240.6 (9.472)
	2SP ...22 + 2SP ...	22	59.8 (2.354)	212.4 (8.362)
19		59.8 (2.354)	209.9 (8.264)	271.4 (10.685)
16		59.8 (2.354)	207.4 (8.165)	266.4 (10.488)
14		59.8 (2.354)	205.3 (8.083)	262.2 (10.323)
11		59.8 (2.354)	202.8 (7.984)	257.2 (10.126)
8		59.8 (2.354)	200.8 (7.906)	253.1 (9.965)
6		59.8 (2.354)	198.7 (7.823)	248.9 (9.799)
4		59.8 (2.354)	197.0 (7.756)	245.6 (9.669)

kit order code 01092200000000

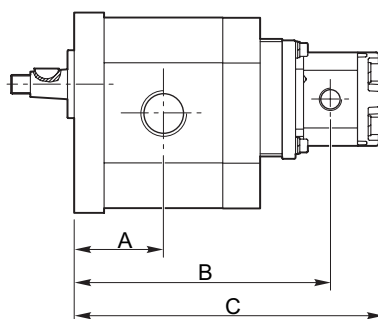
mm (inch)

		A	B	C
2SP ...26 + 2SP ...	26	62.7 (2.469)	221.1 (8.705)	288.0 (11.339)
	22	62.7 (2.469)	218.2 (8.591)	282.2 (11.110)
	19	62.7 (2.469)	215.7 (8.492)	277.2 (10.913)
	16	62.7 (2.469)	213.2 (8.394)	272.2 (10.717)
	14	62.7 (2.469)	211.1 (8.311)	268.0 (10.551)
	11	62.7 (2.469)	208.6 (8.213)	263.0 (10.354)
2SP ...26 + 2SP ...	8	62.7 (2.469)	206.6 (8.134)	258.9 (10.193)
	6	62.7 (2.469)	204.5 (8.051)	254.7 (10.028)
	4	62.7 (2.469)	202.8 (7.984)	251.4 (9.898)

SEE PAGE 301 FOR PRICES



kit order code **01093110000000**



kit order code **01093110000000**

mm (inch)

		A	B	C
3SP...62 + 1SPA	9.8	80.4 (3.163)	234.9 (9.250)	291.1 (11.461)
	7.8	80.4 (3.163)	231.0 (9.094)	283.2 (11.150)
	6.3	80.4 (3.163)	228.2 (8.982)	277.5 (10.925)
	5	80.4 (3.163)	225.6 (8.882)	272.4 (10.724)
	4.2	80.4 (3.163)	224.1 (8.821)	269.3 (10.602)
	3.7	80.4 (3.163)	223.1 (8.783)	267.4 (10.528)
	3.2	80.4 (3.163)	222.1 (8.744)	265.4 (10.449)
	2.5	80.4 (3.163)	220.8 (8.691)	262.7 (10.343)
	2	80.4 (3.163)	219.8 (8.652)	260.7 (10.264)
	1.6	80.4 (3.163)	219.0 (8.622)	259.2 (10.205)
	1.2	80.4 (3.163)	218.2 (8.589)	257.5 (10.138)
	0.9	80.4 (3.163)	217.6 (8.567)	256.4 (10.094)

kit order code **01093110000000**

mm (inch)

		A	B	C
3SP...52 + 1SPA	9.8	76.4 (3.006)	226.9 (8.935)	283.1 (11.146)
	7.8	76.4 (3.006)	223.0 (8.780)	275.2 (10.835)
	6.3	76.4 (3.006)	220.2 (8.667)	269.5 (10.610)
	5	76.4 (3.006)	217.6 (8.567)	264.4 (10.409)
	4.2	76.4 (3.006)	216.1 (8.506)	261.3 (10.287)
	3.7	76.4 (3.006)	215.1 (8.469)	259.4 (10.213)
	3.2	76.4 (3.006)	214.1 (8.429)	257.4 (10.134)
	2.5	76.4 (3.006)	212.8 (8.376)	254.7 (10.028)
	2	76.4 (3.006)	211.8 (8.337)	252.7 (9.949)
	1.6	76.4 (3.006)	211.0 (8.307)	251.2 (9.890)
	1.2	76.4 (3.006)	210.2 (8.274)	249.5 (9.823)
	0.9	76.4 (3.006)	209.6 (8.252)	248.4 (9.780)

With SAE B flange increase A, B, and C dimensions of 0.118 inch

SEE PAGE 301 FOR PRICES

GROUP 3 + GROUP 1



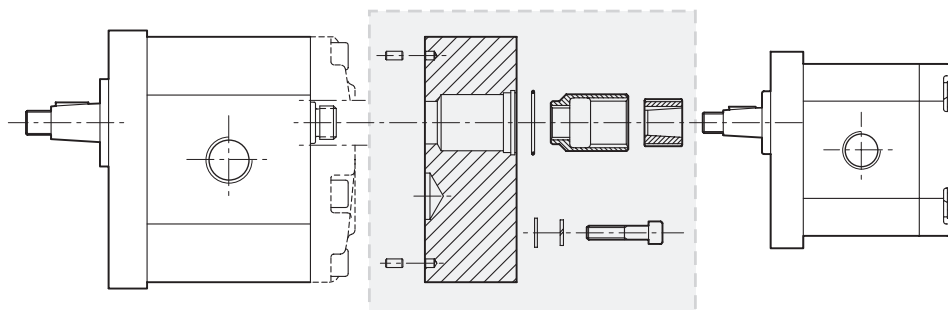
kit order code 01093110000000

kit order code 01093110000000

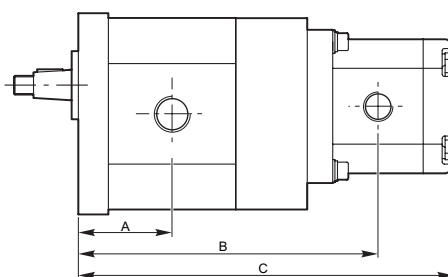
		mm (inch)		
		A	B	C
3SP...44 + 1SPA	9.8	72.9 (2.868)	219.9 (8.659)	276.1 (10.870)
	7.8	72.9 (2.868)	216.0 (8.504)	268.2 (10.559)
	6.3	72.9 (2.868)	213.2 (8.392)	262.5 (10.335)
	5	72.9 (2.868)	210.6 (8.291)	257.4 (10.134)
	4.2	72.9 (2.868)	209.1 (8.230)	254.3 (10.012)
	3.7	72.9 (2.868)	208.1 (8.193)	252.4 (9.937)
	3.2	72.9 (2.868)	207.1 (8.154)	250.4 (9.858)
	2.5	72.9 (2.868)	205.8 (8.100)	247.7 (9.752)
	2	72.9 (2.868)	204.8 (8.061)	245.7 (9.673)
	1.6	72.9 (2.868)	204.0 (8.032)	244.2 (9.614)
	1.2	72.9 (2.868)	203.2 (7.998)	242.5 (9.547)
	0.9	72.9 (2.868)	202.6 (7.976)	241.4 (9.504)
3SP...36 + 1SPA	9.8	69.9 (2.750)	213.9 (8.423)	270.1 (10.634)
	7.8	68.4 (2.691)	210.0 (8.268)	262.2 (10.323)
	6.3	69.9 (2.750)	207.2 (8.156)	256.5 (10.098)
	5	69.9 (2.750)	204.6 (8.055)	251.4 (9.898)
	4.2	69.9 (2.750)	203.1 (7.994)	248.3 (9.776)
	3.7	69.9 (2.750)	202.1 (7.957)	246.4 (9.701)
	3.2	69.9 (2.750)	201.1 (7.917)	244.4 (9.622)
	2.5	69.9 (2.750)	199.8 (7.864)	241.7 (9.516)
	2	69.9 (2.750)	198.8 (7.825)	239.7 (9.437)
	1.6	69.9 (2.750)	198.0 (7.795)	238.2 (9.378)
	1.2	69.9 (2.750)	197.2 (7.762)	236.5 (9.311)
	0.9	69.9 (2.750)	196.6 (7.740)	235.4 (9.268)
3SP...33 + 1SPA	9.8	68.4 (2.691)	210.9 (8.305)	267.1 (10.516)
	7.8	68.4 (2.691)	207.0 (8.150)	259.2 (10.205)
	6.3	68.4 (2.691)	204.2 (8.037)	253.5 (9.980)
	5	68.4 (2.691)	201.6 (7.937)	248.4 (9.780)
	4.2	68.4 (2.691)	200.4 (7.876)	245.3 (9.657)
	3.7	68.4 (2.691)	199.1 (7.839)	243.4 (9.583)
	3.2	68.4 (2.691)	198.1 (7.799)	241.4 (9.504)
	2.5	68.4 (2.691)	196.8 (7.746)	238.7 (9.398)
	2	68.4 (2.691)	195.8 (7.707)	236.7 (9.319)
	1.6	68.4 (2.691)	195.0 (7.677)	235.2 (9.260)
	1.2	68.4 (2.691)	194.2 (7.644)	233.5 (9.193)
	0.9	68.4 (2.691)	193.6 (7.622)	232.4 (9.150)

		mm (inch)		
		A	B	C
3SP...29 + 1SPA	9.8	66.9 (2.632)	207.9 (8.187)	264.1 (10.398)
	7.8	66.9 (2.632)	204.0 (8.032)	256.2 (10.087)
	6.3	66.9 (2.632)	201.2 (7.919)	250.5 (9.862)
	5	66.9 (2.632)	198.6 (7.819)	245.4 (9.661)
	4.2	66.9 (2.632)	197.1 (7.758)	242.3 (9.539)
	3.7	66.9 (2.632)	196.1 (7.720)	240.4 (9.465)
	3.2	66.9 (2.632)	195.1 (7.681)	238.4 (9.386)
	2.5	66.9 (2.632)	193.8 (7.628)	235.7 (9.280)
	2	66.9 (2.632)	192.8 (7.589)	233.7 (9.201)
	1.6	66.9 (2.632)	192.0 (7.559)	232.2 (9.142)
	1.2	66.9 (2.632)	191.2 (7.526)	230.5 (9.075)
	0.9	66.9 (2.632)	190.6 (7.504)	229.4 (9.032)
3SP...22 + 1SPA	9.8	63.9 (2.514)	201.9 (7.951)	258.1 (10.161)
	7.8	63.9 (2.514)	198.0 (7.795)	250.2 (9.850)
	6.3	63.9 (2.514)	195.2 (7.683)	244.5 (9.626)
	5	63.9 (2.514)	192.6 (7.583)	239.4 (9.425)
	4.2	63.9 (2.514)	191.1 (7.522)	236.3 (9.303)
	3.7	63.9 (2.514)	190.1 (7.484)	234.4 (9.228)
	3.2	63.9 (2.514)	189.1 (7.445)	232.4 (9.150)
	2.5	63.9 (2.514)	187.8 (7.392)	229.7 (9.043)
	2	63.9 (2.514)	186.8 (7.352)	227.7 (8.965)
	1.6	63.9 (2.514)	186.0 (7.323)	226.2 (8.906)
	1.2	63.9 (2.514)	185.2 (7.289)	224.5 (8.839)
	0.9	63.9 (2.514)	184.6 (7.268)	223.4 (8.795)
3SP...19 + 1SPA	9.8	62.4 (2.455)	198.9 (7.833)	255.1 (10.043)
	7.8	62.4 (2.455)	195.0 (7.677)	247.2 (9.732)
	6.3	62.4 (2.455)	192.2 (7.565)	241.5 (9.508)
	5	62.4 (2.455)	189.6 (7.465)	236.4 (9.307)
	4.2	62.4 (2.455)	188.1 (7.404)	233.3 (9.185)
	3.7	62.4 (2.455)	187.1 (7.366)	231.4 (9.110)
	3.2	62.4 (2.455)	186.1 (7.327)	229.4 (9.032)
	2.5	62.4 (2.455)	184.8 (7.274)	226.7 (8.925)
	2	62.4 (2.455)	183.8 (7.234)	224.7 (8.846)
	1.6	62.4 (2.455)	183.0 (7.205)	223.2 (8.787)
	1.2	62.4 (2.455)	182.2 (7.171)	221.5 (8.720)
	0.9	62.4 (2.455)	181.6 (7.150)	220.4 (8.677)

SEE PAGE 301 FOR PRICES



kit order code **01093200000000**



kit order code **01093200000000**

		mm (inch)		
		A	B	C
3SP ...62 + 2SP	26	80.4 (3.165)	257.0 (10.118)	323.9 (12.752)
	22	80.4 (3.165)	254.1 (10.004)	318.1 (12.524)
	19	80.4 (3.165)	251.6 (9.906)	313.1 (12.327)
	16	80.4 (3.165)	249.1 (9.807)	308.1 (12.130)
	14	80.4 (3.165)	247.0 (9.724)	303.9 (11.965)
	11	80.4 (3.165)	244.5 (9.626)	298.9 (11.768)
	8	80.4 (3.165)	242.4 (9.543)	294.8 (11.606)
	6	80.4 (3.165)	240.3 (9.461)	290.6 (11.441)
	4	80.4 (3.165)	238.7 (9.398)	287.3 (11.311)

kit order code **01093200000000**

		mm (inch)		
		A	B	C
3SP ...52 + 2SP	26	76.4 (3.008)	249.0 (9.803)	315.9 (12.437)
	22	76.4 (3.008)	246.1 (9.689)	310.1 (12.209)
	19	76.4 (3.008)	243.6 (9.591)	305.1 (12.012)
	16	76.4 (3.008)	241.1 (9.492)	300.1 (11.815)
	14	76.4 (3.008)	239.0 (9.409)	295.9 (11.650)
	11	76.4 (3.008)	236.5 (9.311)	290.9 (11.453)
	8	76.4 (3.008)	234.4 (9.228)	286.8 (11.291)
	6	76.4 (3.008)	232.3 (9.146)	282.6 (11.126)
	4	76.4 (3.008)	230.7 (9.083)	279.3 (10.996)

SEE PAGE 301 FOR PRICES

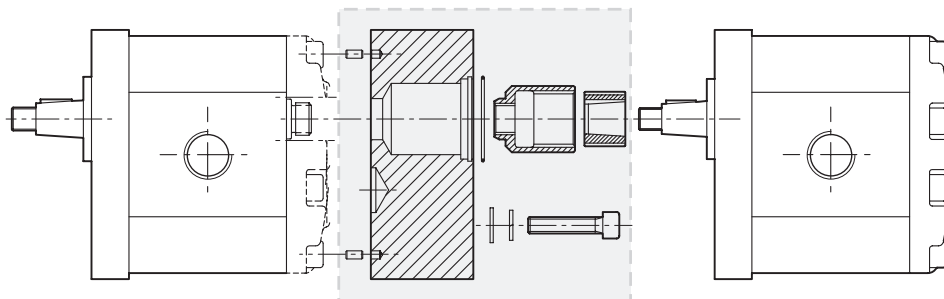
kit order code **01093200000000**

		mm (inch)		
		A	B	C
3SP ...44 + 2SP	26	72.9 (2.870)	242.0 (9.528)	308.9 (12.161)
	22	72.9 (2.870)	239.1 (9.413)	303.1 (11.933)
	19	72.9 (2.870)	236.6 (9.315)	298.1 (11.736)
	16	72.9 (2.870)	234.1 (9.217)	293.1 (11.539)
	14	72.9 (2.870)	232.0 (9.134)	288.9 (11.374)
	11	72.9 (2.870)	229.5 (9.035)	283.9 (11.177)
	8	72.9 (2.870)	227.4 (8.953)	279.8 (11.016)
	6	72.9 (2.870)	225.3 (8.870)	275.6 (10.850)
	4	72.9 (2.870)	223.7 (8.807)	272.3 (10.720)
3SP ...36 + 2SP	26	69.9 (2.752)	236.0 (9.291)	302.9 (11.925)
	22	69.9 (2.752)	233.1 (9.177)	297.1 (11.697)
	19	69.9 (2.752)	230.6 (9.079)	292.1 (11.500)
	16	69.9 (2.752)	228.1 (8.980)	287.1 (11.303)
	14	69.9 (2.752)	226.0 (8.898)	282.9 (11.138)
	11	69.9 (2.752)	223.5 (8.799)	277.9 (10.941)
	8	69.9 (2.752)	221.4 (8.717)	273.8 (10.780)
	6	69.9 (2.752)	219.3 (8.634)	269.6 (10.614)
	4	69.9 (2.752)	217.7 (8.571)	266.3 (10.484)
3SP ...33 + 2SP	26	68.4 (2.693)	232.0 (9.134)	299.9 (11.807)
	22	68.4 (2.693)	230.1 (9.059)	294.1 (11.579)
	19	68.4 (2.693)	227.6 (8.961)	289.1 (11.382)
	16	68.4 (2.693)	225.1 (8.862)	284.1 (11.185)
	14	68.4 (2.693)	223.0 (8.780)	279.9 (11.020)
	11	68.4 (2.693)	220.5 (8.681)	274.9 (10.823)
	8	68.4 (2.693)	218.4 (8.598)	270.8 (10.661)
	6	68.4 (2.693)	216.3 (8.516)	266.6 (10.496)
	4	68.4 (2.693)	214.7 (8.453)	263.3 (10.366)

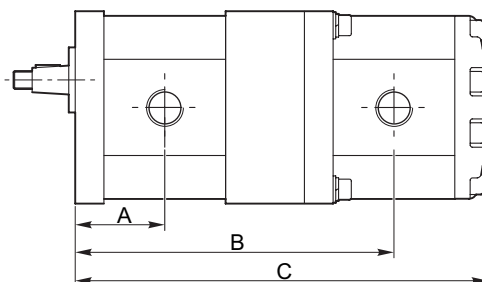
kit order code **01093200000000**

		mm (inch)		
		A	B	C
3SP ...29 + 2SP	26	66.9 (2.634)	230.0 (9.055)	296.9 (11.689)
	22	66.9 (2.634)	227.1 (8.941)	291.1 (11.461)
	19	66.9 (2.634)	224.6 (8.843)	286.1 (11.264)
	16	66.9 (2.634)	222.1 (8.744)	281.1 (11.067)
	14	66.9 (2.634)	220.0 (8.661)	276.9 (10.902)
	11	66.9 (2.634)	217.5 (8.563)	271.9 (10.705)
	8	66.9 (2.634)	215.4 (8.480)	267.8 (10.543)
	6	66.9 (2.634)	213.3 (8.398)	263.6 (10.378)
	4	66.9 (2.634)	201.7 (7.941)	260.3 (10.248)
3SP ...22 + 2SP	26	63.9 (2.516)	224.0 (8.819)	290.9 (11.453)
	22	63.9 (2.516)	221.1 (8.705)	285.1 (11.224)
	19	63.9 (2.516)	218.6 (8.606)	280.1 (11.028)
	16	63.9 (2.516)	116.1 (4.571)	275.1 (10.831)
	14	63.9 (2.516)	214.0 (8.425)	270.9 (10.665)
	11	63.9 (2.516)	211.5 (8.327)	265.9 (10.469)
	8	63.9 (2.516)	209.4 (8.244)	261.8 (10.307)
	6	63.9 (2.516)	207.3 (8.161)	257.6 (10.142)
	4	63.9 (2.516)	305.7 (12.035)	254.3 (10.012)
3SP ...19 + 2SP	26	62.4 (2.457)	221.0 (8.701)	287.9 (11.335)
	22	62.4 (2.457)	218.1 (8.587)	282.1 (11.106)
	19	62.4 (2.457)	215.6 (8.488)	277.1 (10.909)
	16	62.4 (2.457)	213.1 (8.390)	272.1 (10.713)
	14	62.4 (2.457)	211.0 (8.307)	267.9 (10.547)
	11	62.4 (2.457)	208.5 (8.209)	262.9 (10.350)
	8	62.4 (2.457)	306.4 (12.063)	258.8 (10.189)
	6	62.4 (2.457)	204.3 (8.043)	254.6 (10.024)
	4	62.4 (2.457)	202.7 (7.980)	251.3 (9.894)

SEE PAGE 301 FOR PRICES



kit order code **01093300000000**



kit order code **01093300000000**

mm (inch)

		A	B	C	
3SP 62	+ 3 SP ..	80.4 (3.165)	283.7 (11.169)	367.6 (14.472)	
		80.4 (3.165)	279.7 (11.012)	359.6 (14.157)	
		80.4 (3.165)	276.2 (10.874)	352.6 (13.882)	
		80.4 (3.165)	273.2 (10.756)	346.6 (13.646)	
		80.4 (3.165)	272.7 (10.736)	343.6 (13.528)	
		80.4 (3.165)	270.2 (10.638)	340.6 (13.409)	
		80.4 (3.165)	267.2 (10.520)	334.6 (13.173)	
		80.4 (3.165)	265.7 (10.461)	331.6 (13.055)	
	3SP 52	+ 3 SP ..	76.4 (3.008)	271.7 (10.697)	351.6 (13.843)
			76.4 (3.008)	268.2 (10.559)	344.6 (13.567)
		76.4 (3.008)	265.2 (10.441)	338.6 (13.331)	
		76.4 (3.008)	263.7 (10.382)	335.6 (13.213)	
		76.4 (3.008)	262.2 (10.323)	332.6 (13.094)	
		76.4 (3.008)	259.2 (10.205)	326.6 (12.858)	
		76.4 (3.008)	257.7 (10.146)	323.6 (12.740)	
3SP 44	+ 3 SP ..	72.9 (2.870)	261.2 (10.283)	337.6 (13.291)	
		72.9 (2.870)	258.2 (10.165)	331.6 (13.055)	
		72.9 (2.870)	256.7 (10.106)	328.6 (12.937)	
		72.9 (2.870)	255.2 (10.047)	325.6 (12.819)	
		72.9 (2.870)	252.2 (9.929)	319.6 (12.583)	
		72.9 (2.870)	250.7 (9.870)	316.6 (12.465)	

kit order code **01093300000000**

mm (inch)

		A	B	C
3SP 36	+ 3 SP ..	69.9 (2.752)	252.2 (9.929)	325.6 (12.819)
		69.9 (2.752)	250.7 (9.870)	322.6 (12.701)
		69.9 (2.752)	249.2 (9.811)	319.6 (12.583)
		69.9 (2.752)	246.2 (9.693)	313.6 (12.346)
		69.9 (2.752)	244.7 (9.634)	310.6 (12.228)
		68.4 (2.693)	247.7 (9.752)	319.6 (12.583)
3SP 33	+ 3 SP ..	68.4 (2.693)	246.2 (9.693)	316.6 (12.465)
		68.4 (2.693)	243.2 (9.575)	310.6 (12.228)
		68.4 (2.693)	241.7 (9.516)	307.6 (12.110)
		66.9 (2.634)	243.2 (9.575)	313.6 (12.346)
3SP 29	+ 3 SP ..	66.9 (2.634)	240.2 (9.457)	307.6 (12.110)
		66.9 (2.634)	238.7 (9.398)	304.6 (11.992)
		63.9 (2.516)	234.2 (9.220)	301.6 (11.874)
3SP 22	+ 3 SP ..	63.9 (2.516)	232.7 (9.161)	298.6 (11.756)
		62.4 (2.457)	229.7 (9.043)	295.6 (11.650)
3SP 19	+ 3 SP ..	62.4 (2.457)	229.7 (9.043)	295.6 (11.650)

SEE PAGE 301 FOR PRICES

GROUP 1 GEAR PUMPS + GEAR MOTORS PRICE LIST

DESCRIPTION	4 BOLT FLANGE STANDARD	FLANGE MINI-POWERPACK	FLANGE E32C FLANGE E32B	2 BOLT FLANGE SAE AA
PUMP 1SPA 0,9	£164.97	£164.97	£173.20	£173.20
PUMP 1SPA 1,2	£164.97	£164.97	£173.20	£173.20
PUMP 1SPA 1,6	£164.97	£164.97	£173.20	£173.20
PUMP 1SPA 2,0	£164.97	£164.97	£173.20	£173.20
PUMP 1SPA 2,5	£168.58	£168.83	£177.26	£177.26
PUMP 1SPA 3,2	£168.58	£168.83	£177.26	£177.26
PUMP 1SPA 3,7	£168.58	£168.83	£177.26	£177.26
PUMP 1SPA 4,2	£168.58	£168.83	£177.26	£177.26
PUMP 1SPA 5,0	£173.44	£173.44	£182.11	£182.11
PUMP 1SPA 6,3	£173.44	£173.44	£182.11	£182.11
PUMP 1SPA 7,8	£177.50	£178.64	£187.57	£187.57
PUMP 1SPA 9,8	£184.98	£184.54	£193.44	£193.21

ADD-ON EXTRAS (NOT SPARES PRICES)	
SEAL FOR HIGHT PRESSURE (K)	£5.78
STND and SAE AA PUMP with OR	£5.66
SHAFT SEAL (EB32C)	£6.08
SHAFT SEAL (H)	£7.32
VITON SEAL	£30.07
END-COVER with MAIN RELIEF VALVE INTERNAL EXHAUST	£65.78

ADDITIONAL PRICES FOR PRICING UP TANEM PUMPS. GROUP 1 BASED	
KIT MULTIPLE PUMP 1P + 1P Standard	£78.62
DISJUNCTOR VALVE ON INTERMEDIATE FLANGE	£212.06
COMMON SUCTION (1st 2nd and 3rd pump)	additional price by 5% on multiple pump

GROUP 2 GEAR PUMPS + GEAR MOTORS PRICE LIST

FOR TRIPLE AND QUADRUPLE KEEP ADDING
KIT MULTIPLE PUMP
• TANDEM = 1 KIT • TRIPLE = 2 KITS
• QUADRUPLE = 3 KITS

DESCRIPTION	4 BOLT ALUMINIUM FLANGE STANDARD	ALUMINIUM FLANGE B50-B80-E52-M52-SAEA	ALUMINIUM FLANGE PRKS	4 BOLT CAST-IRON FLANGE STANDARD	2 BOLT CAST-IRON FLANGE SAE A
PUMP 2 SP 4	£204.28	£214.30	£247.75	£231.27	£241.27
PUMP 2 SP 6	£204.28	£214.30	£247.75	£231.27	£241.27
PUMP 2 SP 8	£204.28	£214.30	£247.75	£231.27	£241.27
PUMP 2 SP 11	£210.45	£214.30	£253.91	£238.19	£248.22
PUMP 2 SP 14	£210.45	£214.30	£253.91	£238.19	£248.22
PUMP 2 SP 16	£210.45	£214.30	£253.91	£238.19	£248.22
PUMP 2 SP 19	£217.38	£228.18	£260.87	£244.37	£255.16
PUMP 2 SP 22	£217.38	£228.18	£260.87	£244.37	£255.16
PUMP 2 SP 26	£212.17	£233.56	£266.25	£249.75	£260.55

ADD-ON EXTRAS (NOT SPARES PRICES)	
SUPPORT INCORPORATED IN THE FLANGE	£96.34
SUPPORT Ø 50,8 - shaft Ø 22	£106.51
FLANGE WITH BEARING (for B50C and B80C)	£35.46
FLANGE WITH O-Ring	£8.47
SHAFT SEAL (H)	£10.02
SEAL FOR HIGH PRESSURE (K) - 30 bar	£5.78
SEAL FOR HIGH PRESSURE (KK) - 100 bar	£11.60
SHAFT SEAL (MC52CX)	£6.73
SPECIAL KEY draw.25053	£5.97
VITON SEAL	£30.07
END-COVER with MAIN RELIEF VALVE INTERNAL EXHAUST	£70.14
END-COVER with MAIN RELIEF VALVE EXTERNAL EXHAUST	£74.78

ADD-ON EXTRAS (NOT SPARES PRICES)	
UNIDIRECTIONAL MOTOR (CLOCKWISE OR ANTICLOCKWISE MOTOR)	£10.02
BIDIRECTIONAL PUMP AND MOTOR (REVERSIBLE MOTOR)	£49.33
END COVER TWO SPEED (ON UNID. MOTOR)	£322.99
ANTICAVITATION VALVE VA MOTORE	£89.04
SPECIAL COVER WITH PRIORITY VALVE - VRF	£180.98
SPECIAL COVER WITH PRIORITY VALVE AND PRESSURE VALVE - VRF+VLP	£214.13

ADDITIONAL PRICES FOR PRICING UP TAMDEM PUMPS. GROUP 2 BASED		
KIT MULTIPLE PUMP	GR.2SP + GR.1	£90.20
KIT MULTIPLE PUMP	GR.2SP + GR.2SP	£90.20
Common suction (1st 2nd and 3rd pump)		additional price by 5% on multiple pump

GROUP 3 GEAR PUMPS + GEAR MOTORS PRICE LIST

FOR TRIPLE AND QUADRUPLE KEEP ADDING
KIT MULTIPLE PUMP
• TANDEM = 1 KIT • TRIPLE = 2 KITS
• QUADRUPLE = 3 KITS

DESCRIPTION	4 BOLT ALUMINIUM FLANGE STANDARD	2 BOLT ALUMINIUM FLANGE SAE B	4 BOLT CAST-IRON FLANGE	2 BOLT CAST-IRON FLANGE SAE B
PUMP 3 SP 19	£392.37	£413.18	£439.39	£466.70
PUMP 3 SP 22	£392.37	£413.18	£439.39	£466.70
PUMP 3 SP 29	£404.70	£425.53	£451.73	£479.00
PUMP 3 SP 33	£404.70	£425.53	£451.73	£479.00
PUMP 3 SP 36	£404.70	£425.53	£451.73	£479.00
PUMP 3 SP 44	£417.04	£437.86	£464.06	£492.88
PUMP 3 SP 52	£417.04	£437.86	£464.06	£492.88
PUMP 3 SP 62	£437.86	£458.66	£484.88	£514.44

ADD-ON EXTRAS (NOT SPARES PRICES)	
FLANGE WITH O-Ring	£12.71
SHAFT SEAL (H)	£10.02
SEAL FOR HIGHT PRESSURE (K)	£5.78
VITON SEAL	£31.60
UNIDIRECTIONAL MOTOR	£49.75
BIDIRECTIONAL MOTOR	£107.14
SUPPORT ZFC	£183.43
END-COVER WITH MAIN RELIEF VALVE	£93.28

ADDITIONAL PRICES FOR PRICING UP TAMDEM PUMPS. GROUP 3 BASED		
KIT MULTIPLE PUMP	GR.3SP + GR.1SP	£131.80
KIT MULTIPLE PUMP	GR.3SP + GR.2SP	£140.31
KIT MULTIPLE PUMP	GR.3SP + GR.3SP	£148.78

FOR TRIPLE AND QUADRUPLE KEEP ADDING
KIT MULTIPLE PUMP
• TANDEM = 1 KIT • TRIPLE = 2 KITS
• QUADRUPLE = 3 KITS