

PUMP BEARING SUPPORTS

GROUP 1 BEARING SUPPORT	307
GROUP 2 BEARING SUPPORT	307
GROUP 2 BEARING SUPPORT REINFORCED.....	308
GROUP 2 BEARING SUPPORT REINFORCED.....	308
GROUP 3 BEARING SUPPORT REINFORCED.....	309
GROUP 3 BEARING SUPPORT	309
GROUP 3 BEARING SUPPORT SAE A.....	310
GROUP 3 BEARING SUPPORT SAE B 2 BOLT	310

GROUP 3.5 BEARING SUPPORT	311
GROUP 2 BEARING SUPPORT BOSCH	311
GROUP 3 BEARING SUPPORT BOSCH	312
GROUP 2 BEARING SUPPORT BOSCH	312
GROUP 2 BEARING SUPPORT	313
GROUP 4 BEARING SUPPORT	314
FLANGES FOR GROUP 4 BEARING SUPPORTS.....	315
GROUP 3 CAST IRON BEARING SUPPORT	316

Pump bearing supports designed for independent drives of hydraulic pumps via chains, belts, gears with high radial loads.

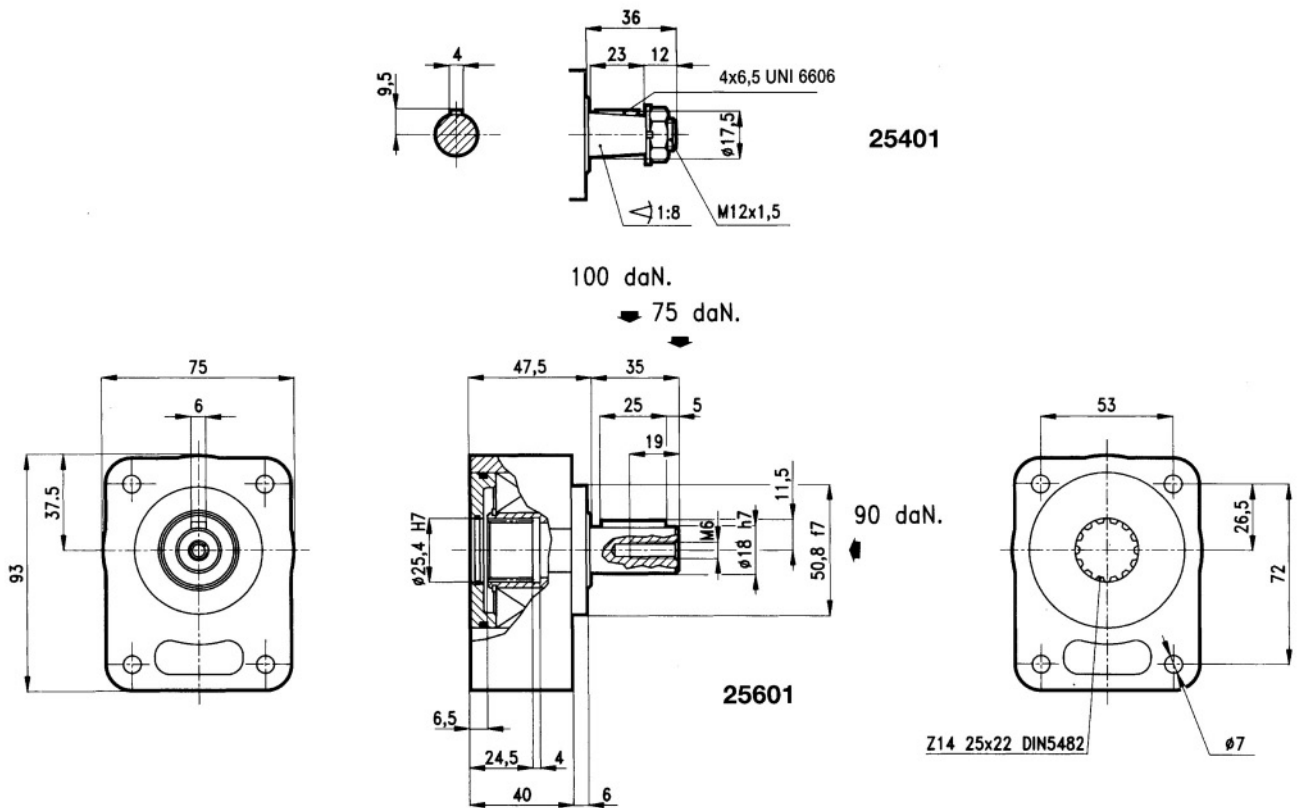
They are directly flanged onto the pump via splined half-couplings.

The life of the bearing supports is 3500 hours at 15000 rpm.

Grease according to DIN 51502 standard MPF 1K-20.

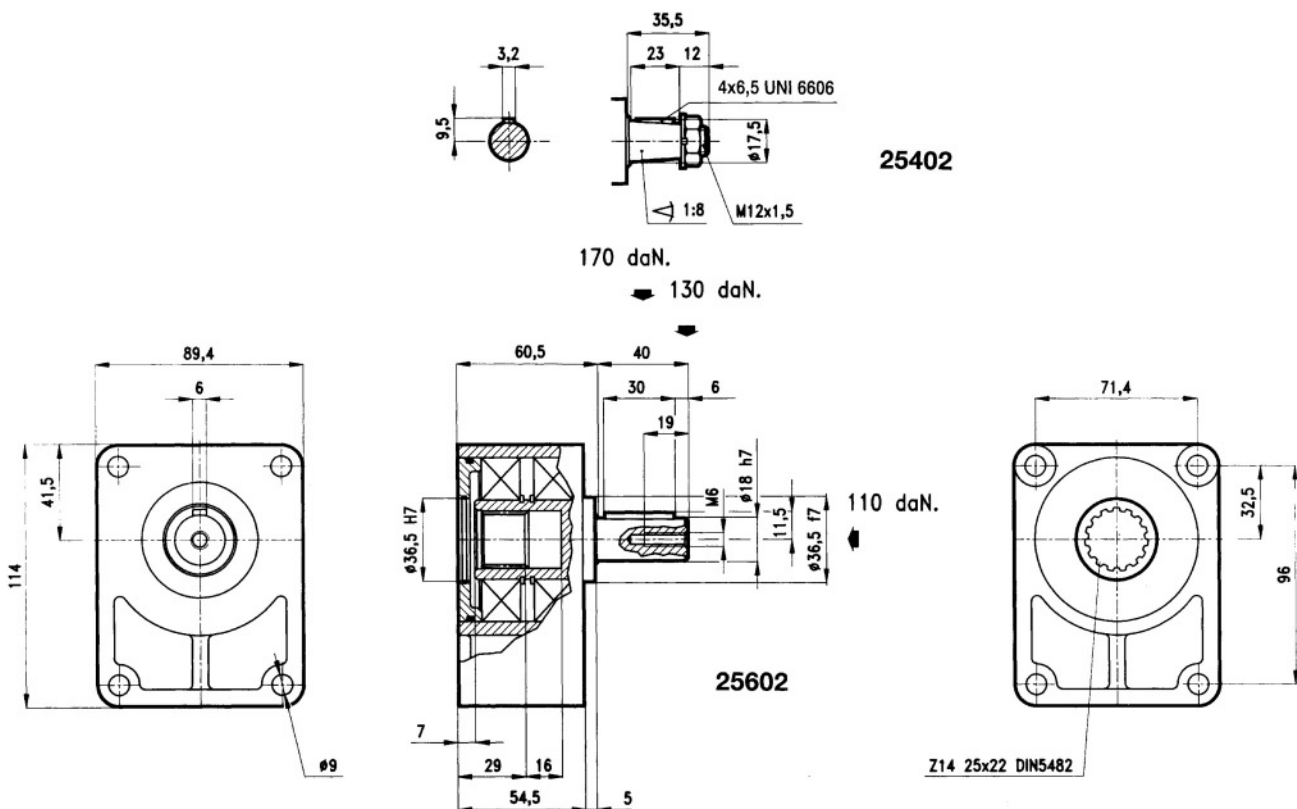


GROUP 1 BEARING SUPPORT



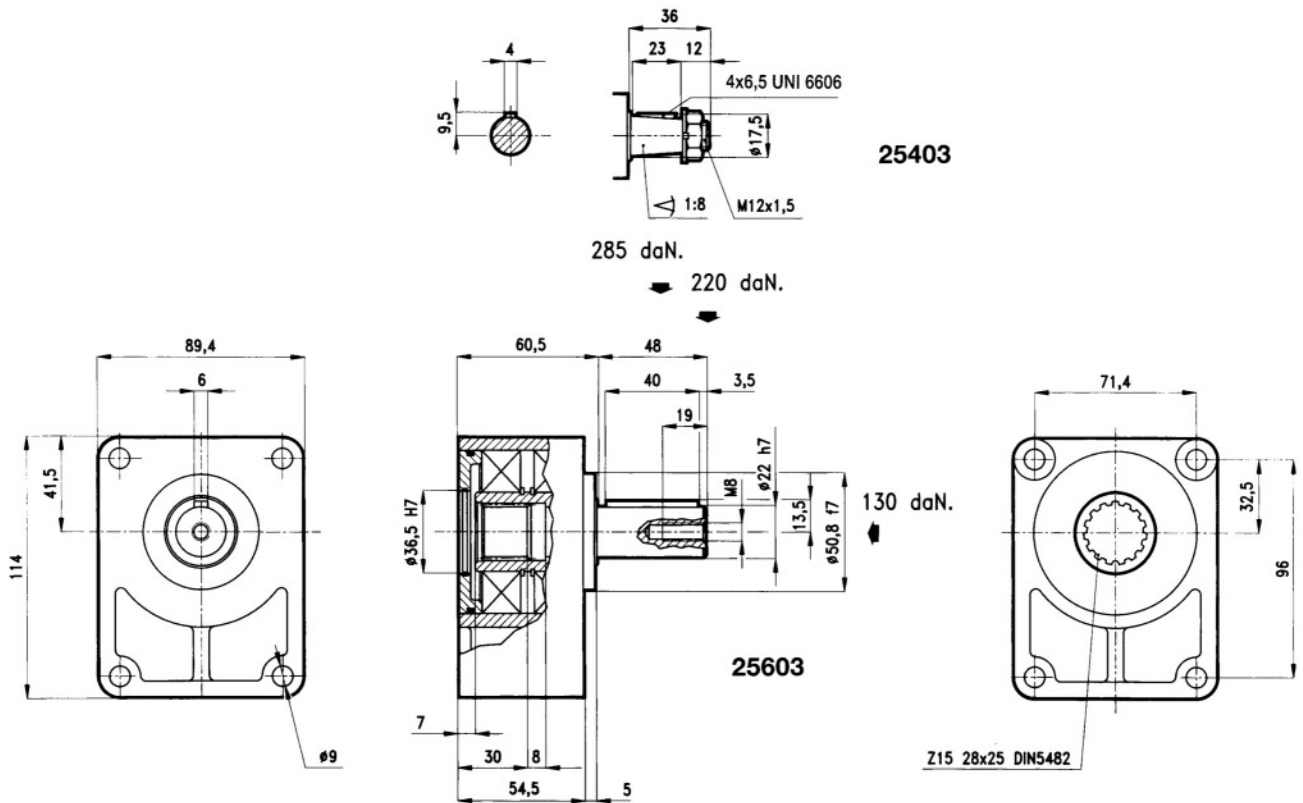
PART NO.	DESCRIPTION	PRICE
23 - 25401	Pump Bearing Support gr.1 tapered shaft	£84.29
24 - 25601	Pump Bearing Support Support gr.1 cylindrical shaft	£84.29

GROUP 2 BEARING SUPPORT



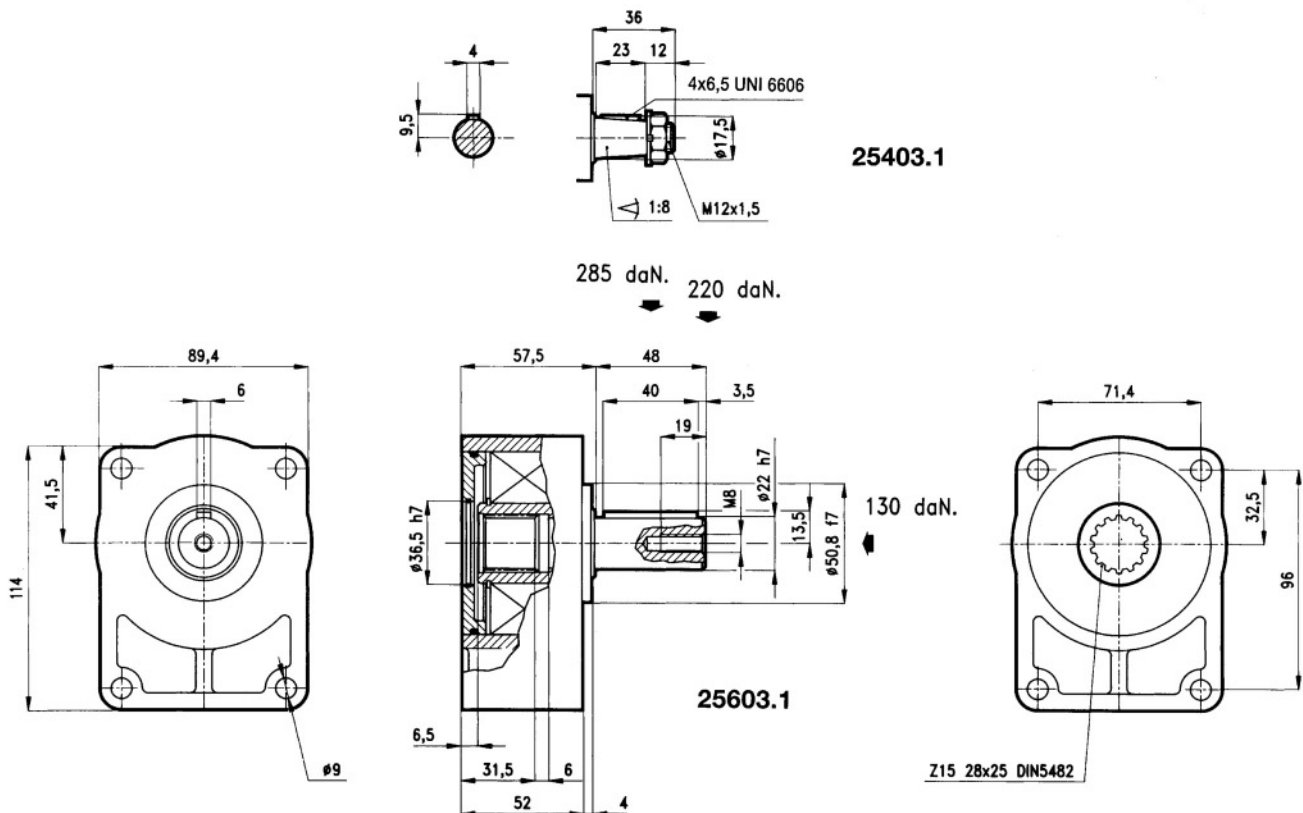
PART NO.	DESCRIPTION	PRICE
23 - 25402	Pump Bearing Support gr.2 tapered shaft	£98.25
24 - 25602	Pump Bearing Support gr.2 cylindrical shaft	£98.25

GROUP 2 BEARING SUPPORT REINFORCED



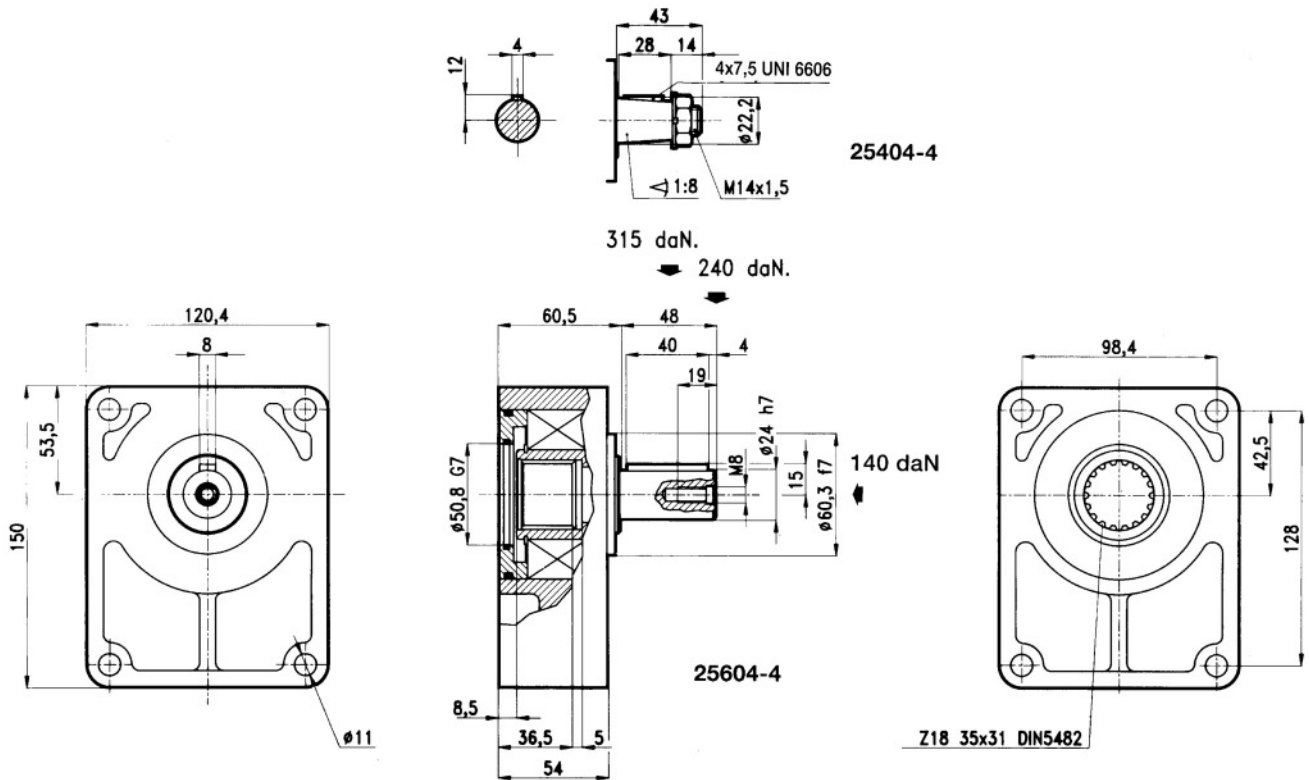
PART NO.	DESCRIPTION	PRICE
23 - 25403	Pump Bearing Support gr.2/R tapered shaft	£107.43
24 - 25603	Pump Bearing Support gr.2/R cylindrical shaft 2 bearings	£107.43

GROUP 2 BEARING SUPPORT REINFORCED



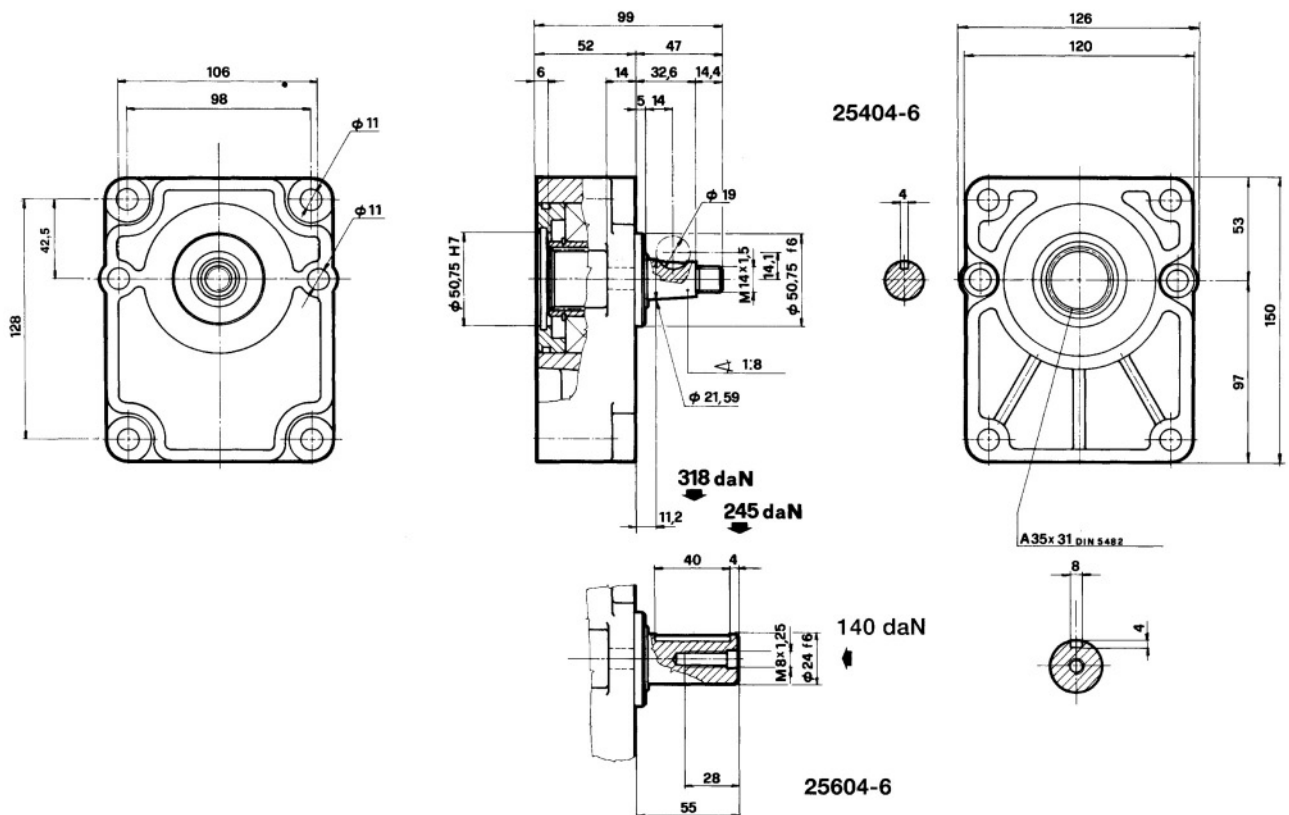
PART NO.	DESCRIPTION	PRICE
23 - 25403-1	Pump Bearing Support gr.2/R tapered shaft key 3,2	£102.19
24 - 25603-1	Pump Bearing Support gr.2/R cylindrical shaft 1 bearing	£107.43

GROUP 3 BEARING SUPPORT REINFORCED



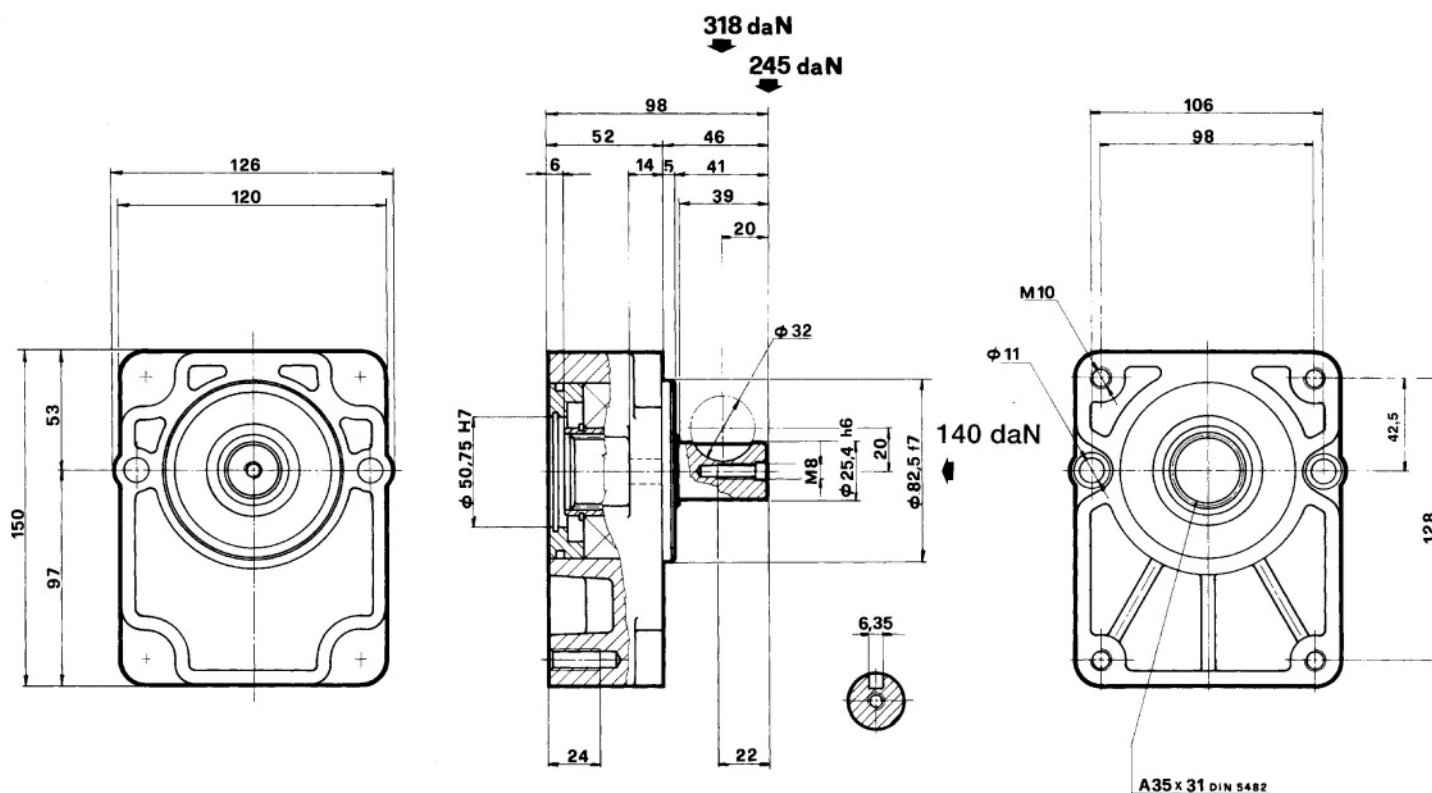
PART NO.	DESCRIPTION	PRICE
23 - 25404-4	Pump BearingSupport gr.3 tapered shaft 4 holes	£231.90
24 - 25604-4	Pump Bearing Support gr.3 cylindrical shaft 4 holes	£231.90

GROUP 3 BEARING SUPPORT



PART NO.	DESCRIPTION	PRICE
23 - 25404-4	Pump Bearing Support gr.3 tapered shaft 4 holes	£231.90
24 - 25604-6	Pump Bearing Support gr.3 cylindrical shaft 6 holes	£150.67

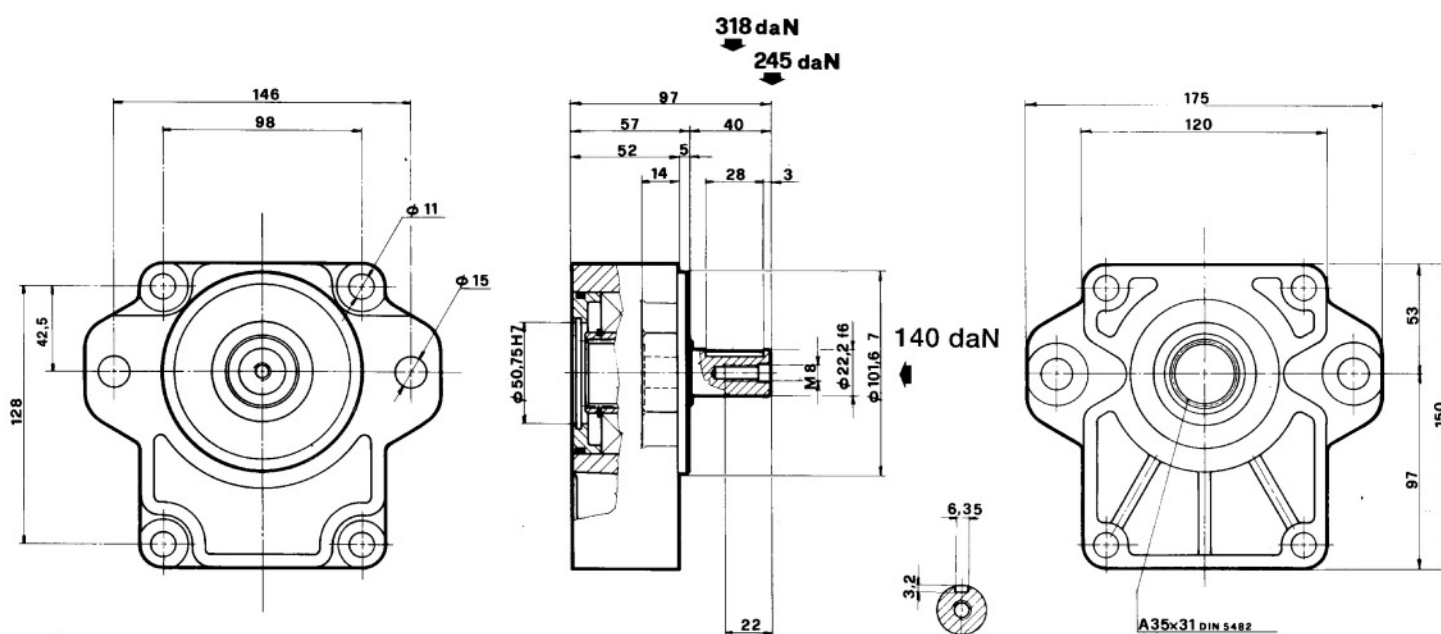
GROUP 3 BEARING SUPPORT SAE A



25607

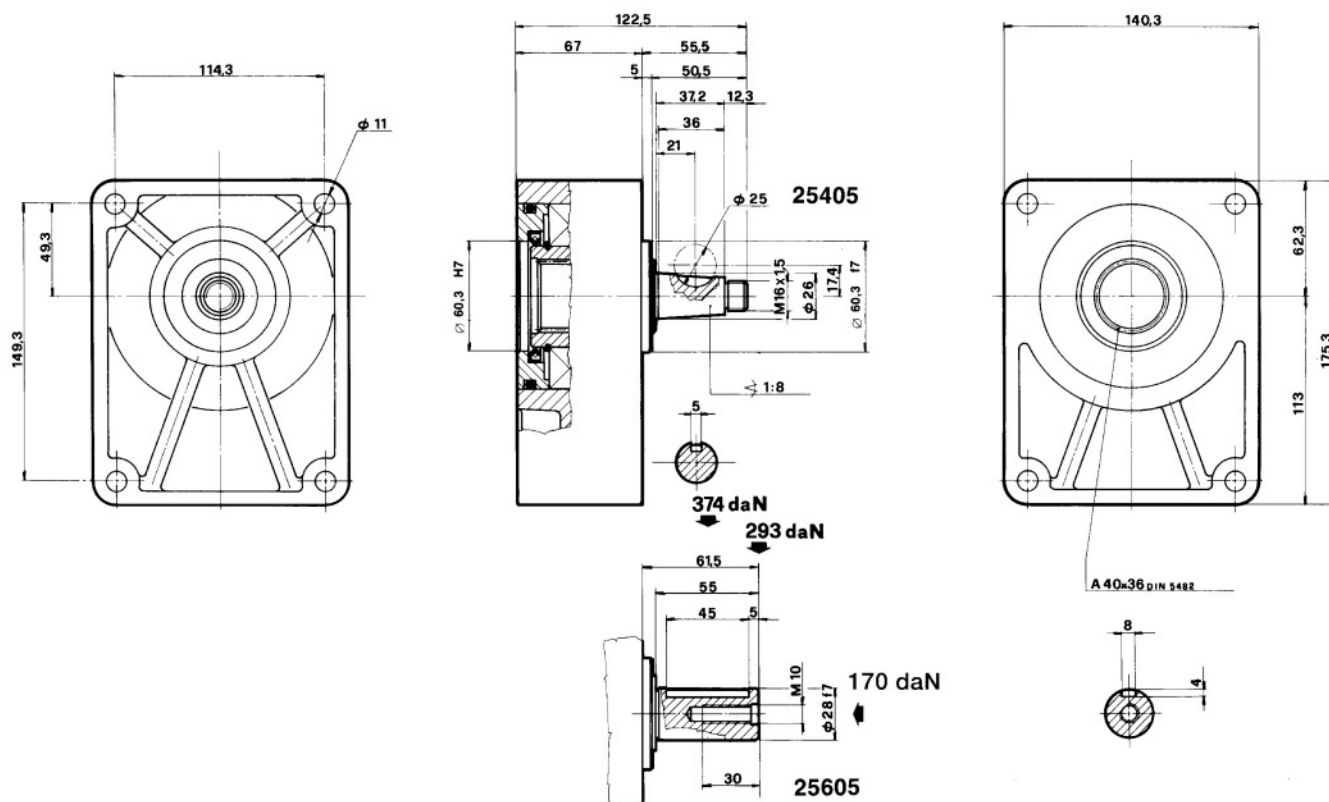
PART NO.	DESCRIPTION	PRICE
24 - 25607	Pump BearingSupport gr.3 SAE A cylindrical shaft	£163.78

GROUP 3 BEARING SUPPORT SAE B 2 BOLT



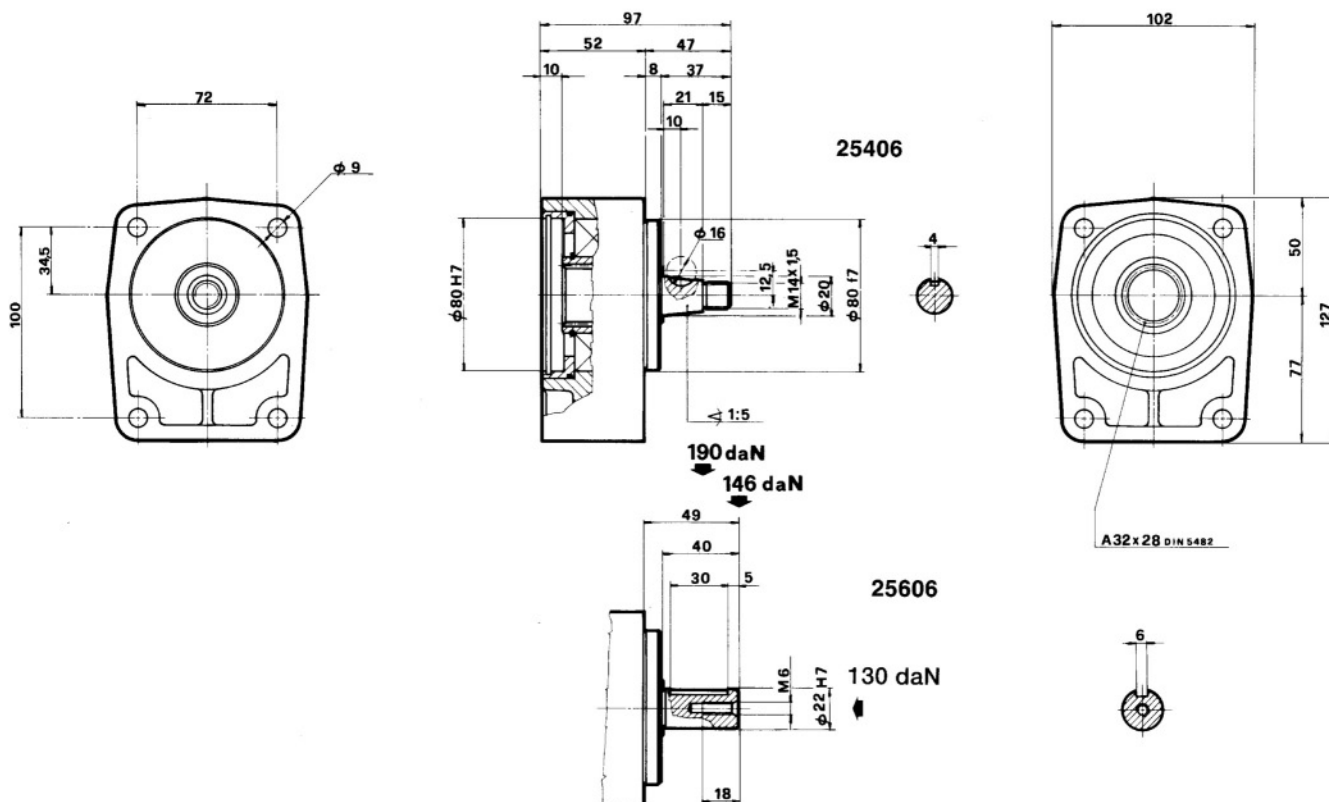
PART NO.	DESCRIPTION	PRICE
24 - 25608	Pump Bearing Support gr.3 SAE B cylindrical shaft	£163.78

GROUP 3.5 BEARING SUPPORT



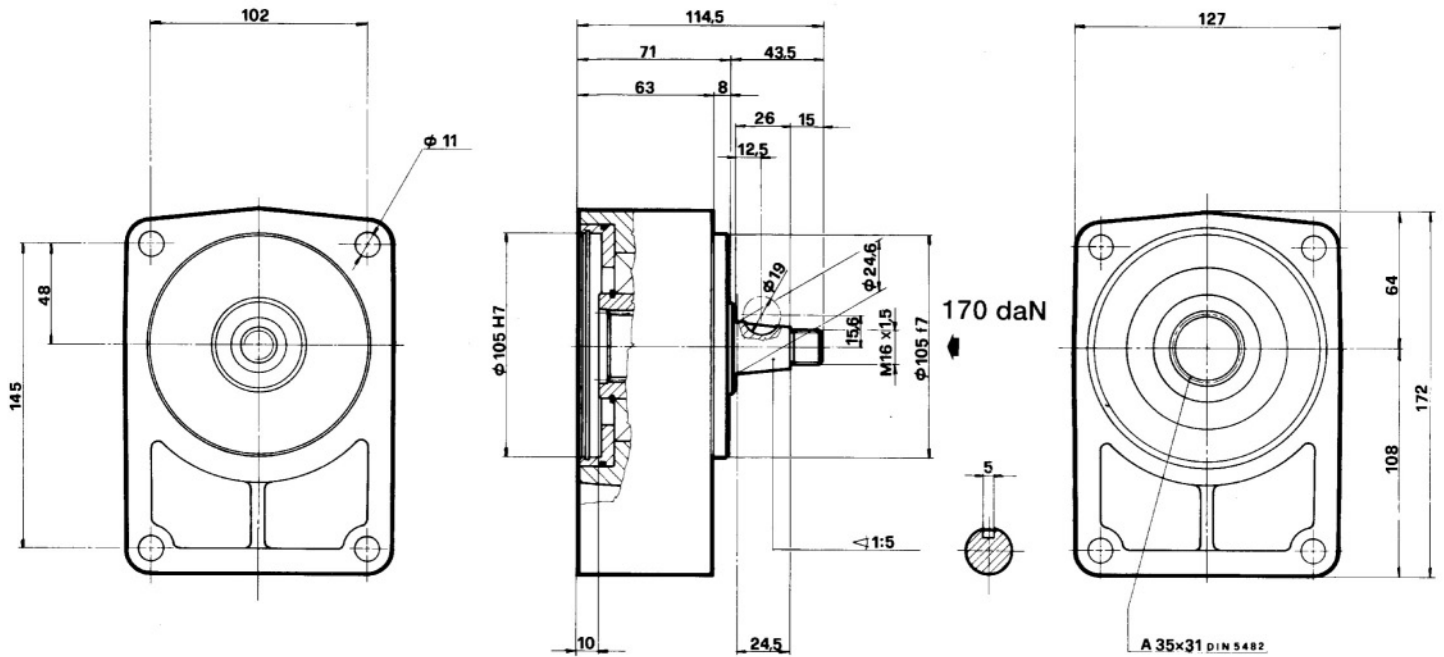
PART NO.	DESCRIPTION	PRICE
23 – 25405	Pump Bearing Support gr.3,5 tapered shaft	£366.87
24 – 25605	Pump BearingSupport gr.3,5 cylindrical shaft	£364.24

GROUP 2 BEARING SUPPORT BOSCH



PART NO.	DESCRIPTION	PRICE
23 – 25406	Pump Bearing Support gr.2 Bosch tapered shaft	£121.84
24 – 25606	Pump BearingSupport gr.2 Bosch cylindrical shaft	£121.84

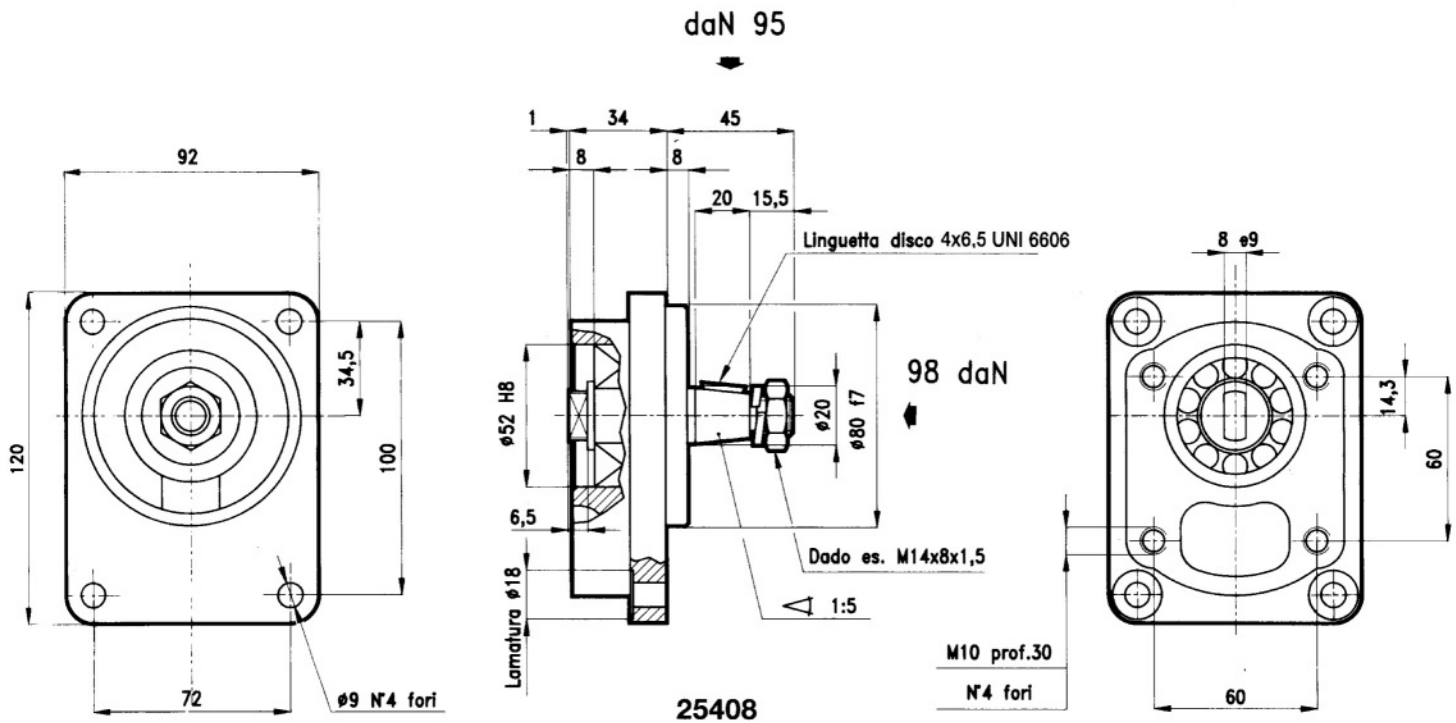
GROUP 3 BEARING SUPPORT BOSCH



25407

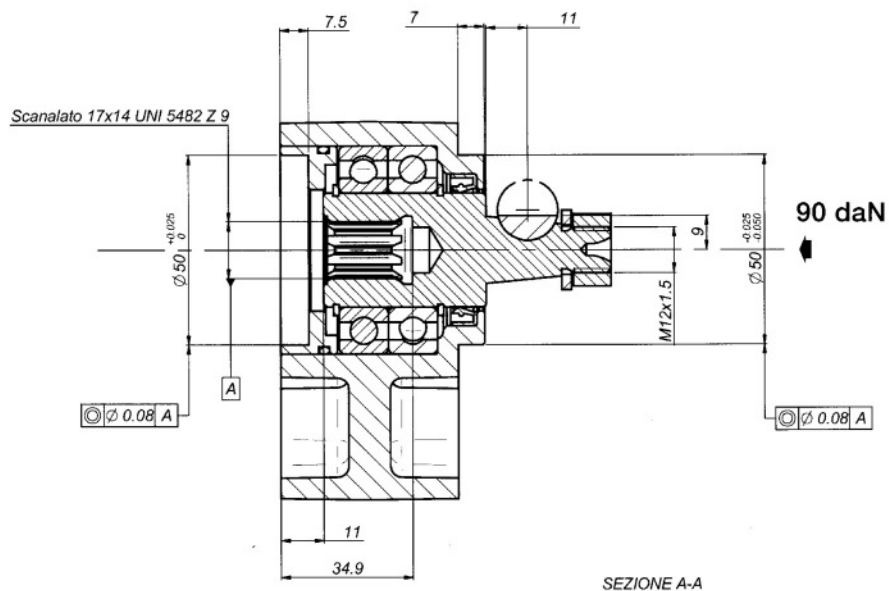
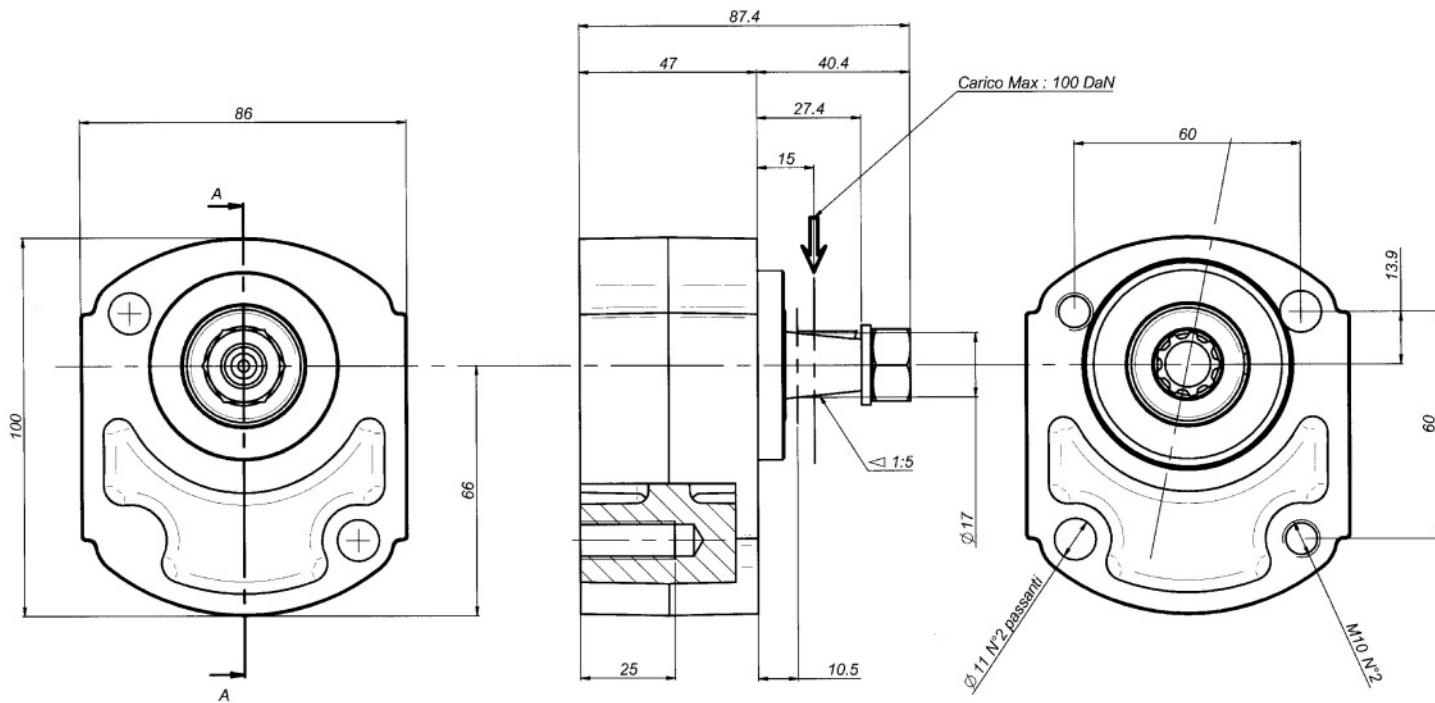
PART NO.	DESCRIPTION	PRICE
23-25407	Pump Bearing Support Bosch tapered shaft	TBA

GROUP 2 BEARING SUPPORT BOSCH



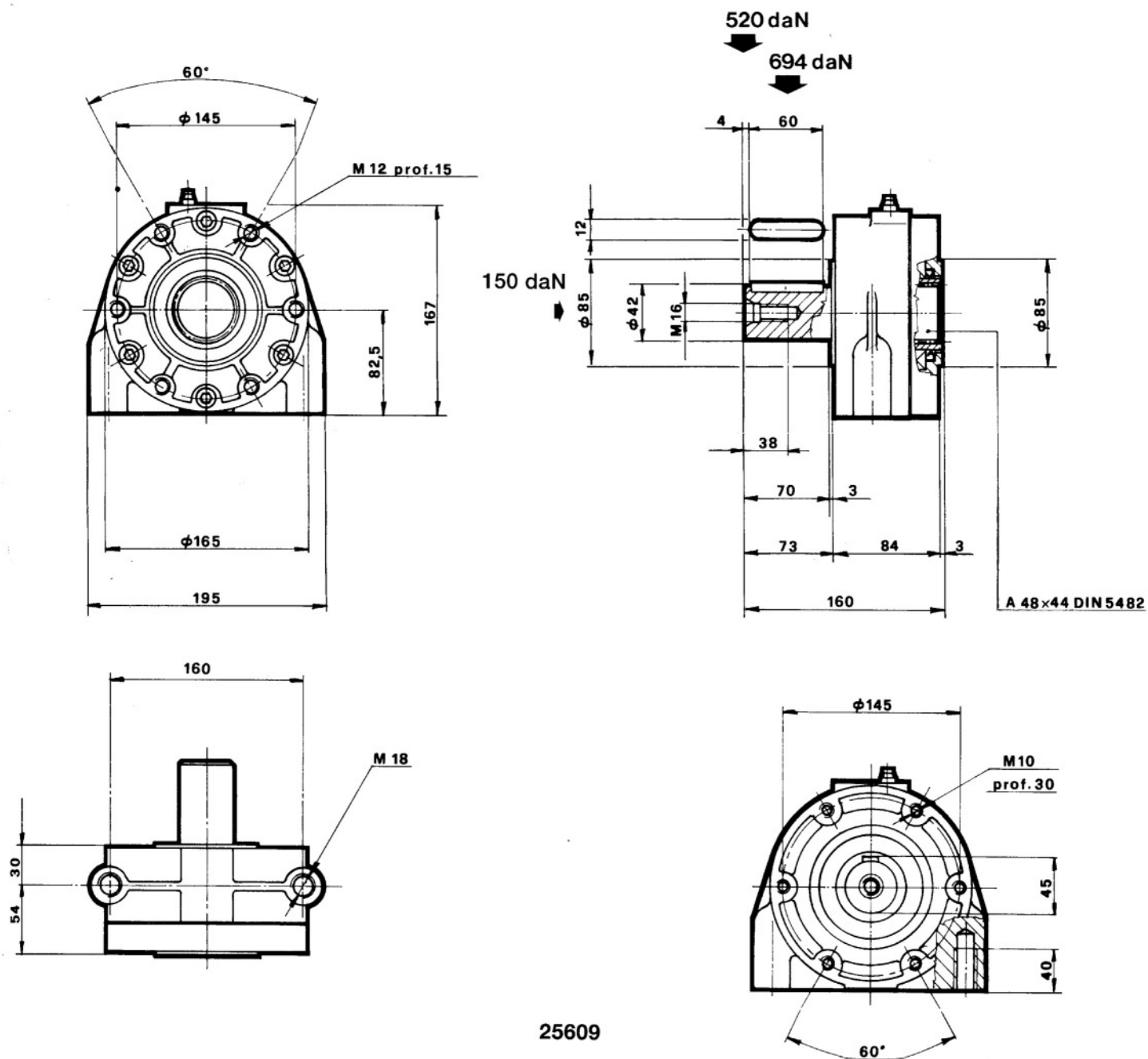
25408

PART NO.	DESCRIPTION	PRICE
23 - 25408 Pump	Bearing Support gr.2 SUI 52-80	£133.63

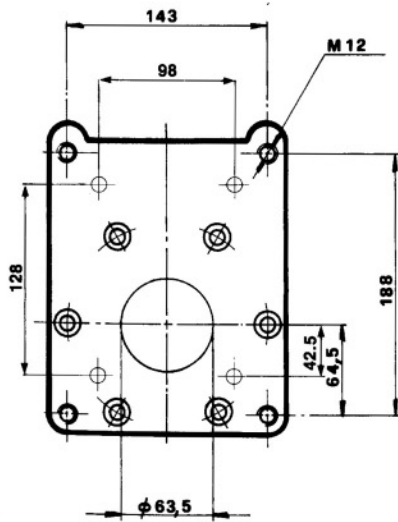


25409

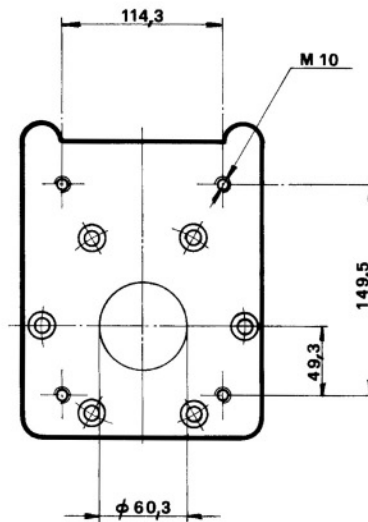
PART NO.	DESCRIPTION	PRICE
23 - 25409	Pump BearingSupport gr.2 T54B5 B17X14	£133.63



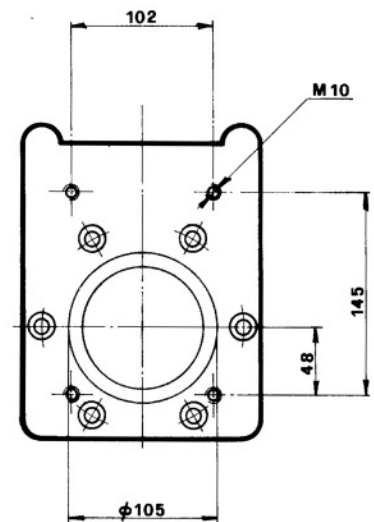
PART NO.	DESCRIPTION	PRICE
24 - 25609	Pump Bearing Support gr.4	£491.32



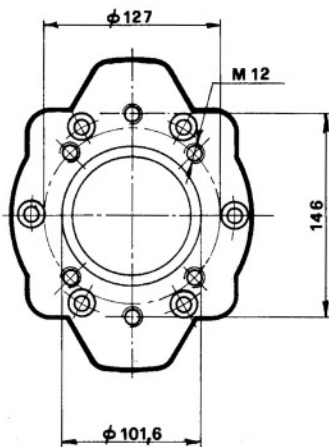
4 P 30403
3 P 30401



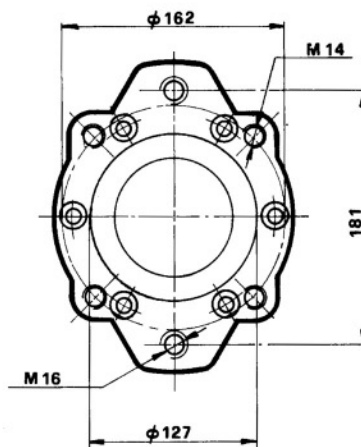
3,5 P 30402



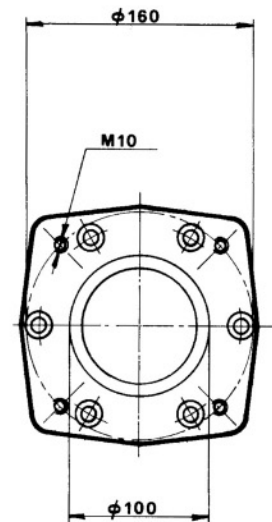
Bosch ZG3 30417



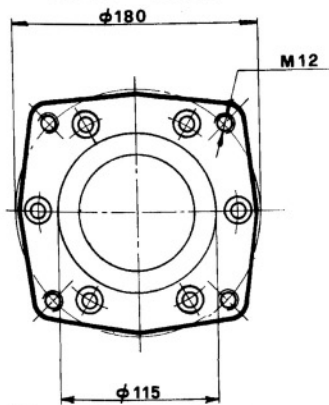
SAE B 2-4 fori
30421 - 30422



SAE C 2-4 fori
30431 - 30432



Linde Guldner PF 20-35-50
30461 - 30462

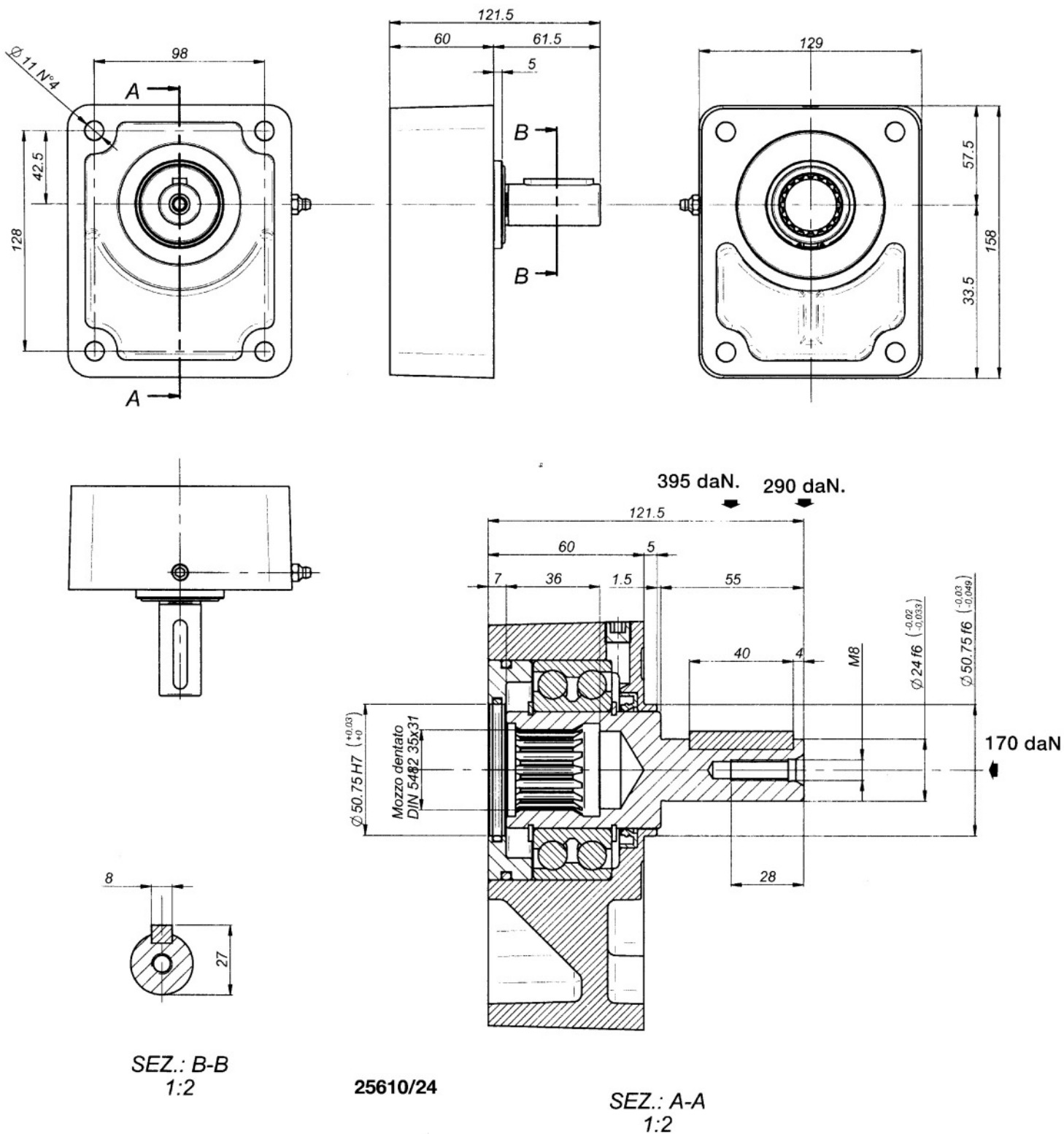


Linde Guldner PF 75
30463

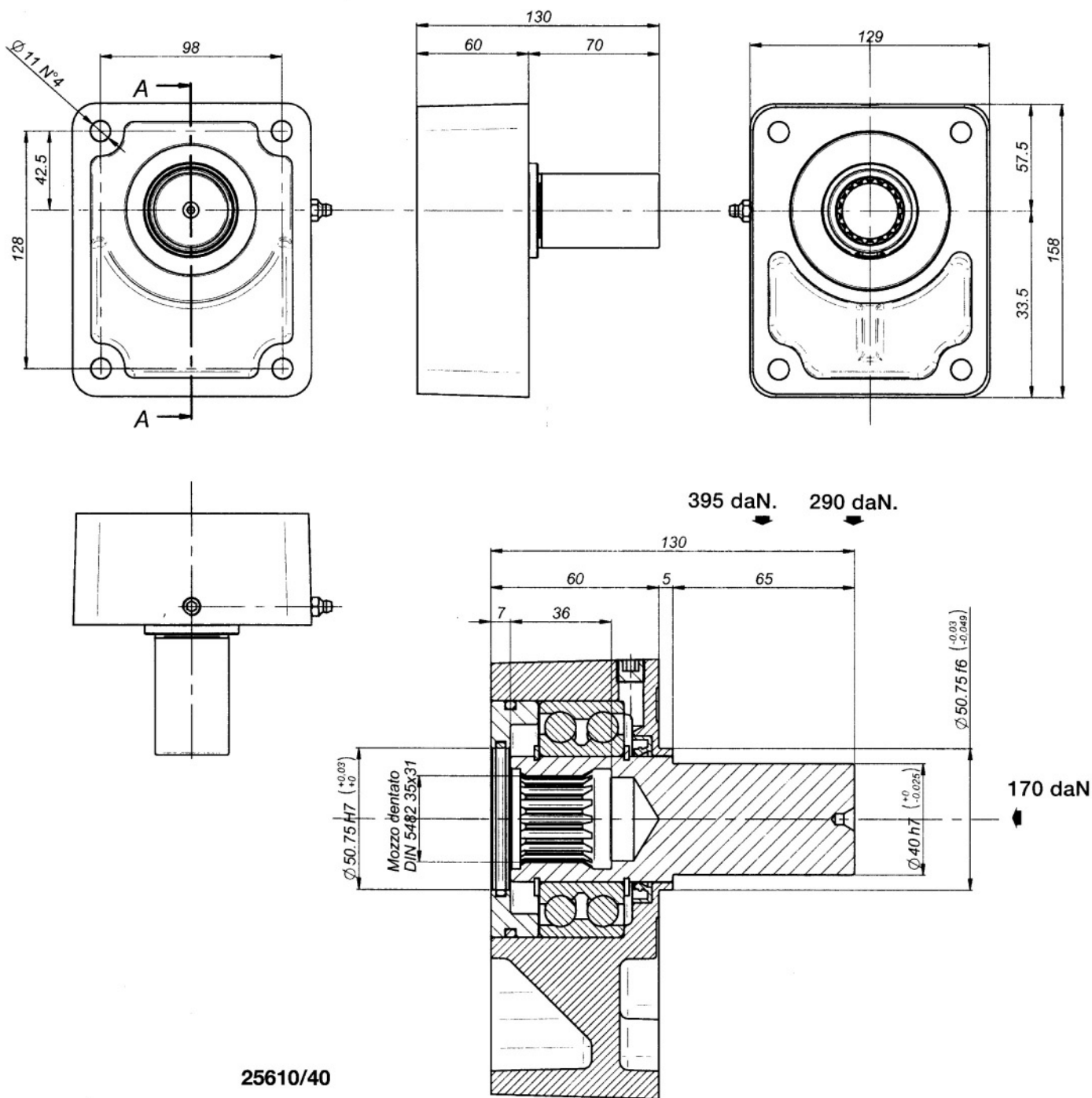
PART NO.	DESCRIPTION	PRICE
28 - 30401	Flange gr.3+socket capscrews	£96.96
28 - 30402	Flange gr.3,5+socket capscrews	£94.33
28 - 30403	Flange gr.4+socket capscrews	£94.33
28 - 30417	Flange gr.3 Bosch+socket capscrews	£119.22
28 - 30420	Flange SAE A 2 holes+socket capscrews	£94.33
28 - 30421	Flange SAE B 2 holes+socket capscrews	£119.22
28 - 30422	Flange SAE B 4 holes+socket capscrews	£119.22
28 - 30431	Flange SAE C 2 holes+socket capscrews	£119.22
28 - 30432	Flange SAE C 4 holes+socket capscrews	£119.22
28 - 30461	Flange L.G. 20-35+socket capscrews	£119.22
28 - 30462	Flange L.G. 50+socket capscrews	£119.22
28 - 30463	Flange L.G. 75+socket capscrews	£119.22

If the part number needed is not listed please ask the Flowfit Sales Team

GROUP 3 CAST IRON BEARING SUPPORT



PART NO.	DESCRIPTION	PRICE
24 - 25610/24	Pump Bearing Support gr.3 cast iron cylindrical shaft dia.24	£389.13



SEZIONE A-A

PART NO.	DESCRIPTION	PRICE
24 - 25610/40	Pump BearingSupport gr.3 cast iron cylindrical shaft dia.40	£389.13