

# DOUBLE ACTING HANDPUMP ASSEMBLIES

6cm <sup>3</sup> DOUBLE ACTING HANDPUMP ASSEMBLIES.....	341
12cm <sup>3</sup> DOUBLE ACTING HANDPUMP ASSEMBLIES.....	343
25cm <sup>3</sup> DOUBLE ACTING HANDPUMP ASSEMBLIES.....	345
45cm <sup>3</sup> DOUBLE ACTING HANDPUMP ASSEMBLIES.....	347



**Flowfit hand pump assemblies consist of a double acting handpump, steel tank and 600mm lever with all variations shown below. The Flowfit range of hand pumps have been developed and manufactured for high performance and reliability. They are used in many different sectors such as transport, industry and agriculture.**

#### **OIL**

Use only ISO 6743/4 (DIN 51524) hydraulic mineral oil.

#### **VISCOSITY**

Viscosity must be according to ISO 3448 (DIN 51519) standards.

Minimum viscosity: ISO VG 15  
Maximum viscosity: ISO VG 100  
Advised viscosity: ISO VG 46

#### **FILTRATION CONTAMINATION**

The main cause for failure in most hydraulic installations is due to excessive fluid contamination.

Advised filtration: 50-80 microns  
Contamination class 18/14 ISO 4406 (9 NAS 1638)

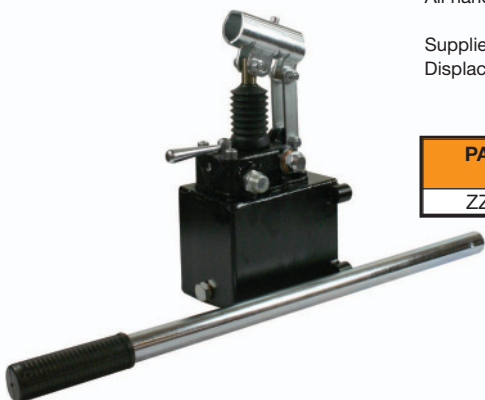
# FLOWFIT

## 6cm<sup>3</sup> DOUBLE ACTING HANDPUMP ASSEMBLIES

### 6cm<sup>3</sup> DOUBLE ACTING HANDPUMP, 1L TANK & 600mm LEVER

All hand pumps are fully interchangeable with other leading Italian manufacturers.

Supplied with rubber protection for the piston, pressure relief valve and 4/3 flow divider closed centre. Displacements, tank size and pressures as shown in the table below.



PART NO.	DISPLACEMENT CM <sup>3</sup>	TANK SIZE LITRES	MAX WORKING PRESSURE BAR	MAX PRESSURE BAR	PRICE £
ZZ000960	6	1	450	500	£247.33

**FURTHER INFORMATION AND TECHNICAL HANDPUMP PDF IS AVAILABLE TO DOWNLOAD FROM OUR WEBSITE AT [www.flowfitonline.com](http://www.flowfitonline.com)**

### 6cm<sup>3</sup> DOUBLE ACTING HANDPUMP, 2L TANK & 600mm LEVER

All hand pumps are fully interchangeable with other leading Italian manufacturers.

Supplied with rubber protection for the piston, pressure relief valve and 4/3 flow divider closed centre. Displacements, tank size and pressures as shown in the table below.



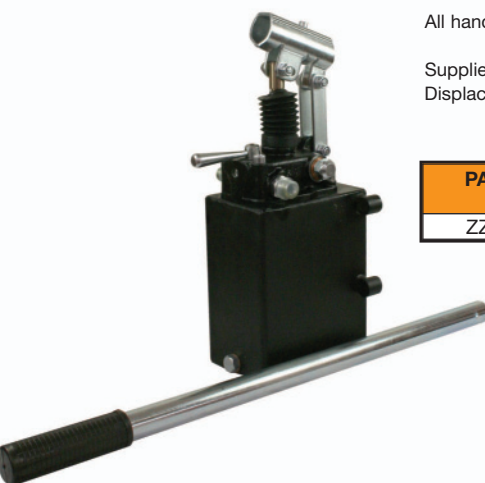
PART NO.	DISPLACEMENT CM <sup>3</sup>	TANK SIZE LITRES	MAX WORKING PRESSURE BAR	MAX PRESSURE BAR	PRICE £
ZZ000961	6	2	450	500	£253.19

**FURTHER INFORMATION AND TECHNICAL HANDPUMP PDF IS AVAILABLE TO DOWNLOAD FROM OUR WEBSITE AT [www.flowfitonline.com](http://www.flowfitonline.com)**

### 6cm<sup>3</sup> DOUBLE ACTING HANDPUMP, 3L TANK & 600mm LEVER

All hand pumps are fully interchangeable with other leading Italian manufacturers.

Supplied with rubber protection for the piston, pressure relief valve and 4/3 flow divider closed centre. Displacements, tank size and pressures as shown in the table below.



PART NO.	DISPLACEMENT CM <sup>3</sup>	TANK SIZE LITRES	MAX WORKING PRESSURE BAR	MAX PRESSURE BAR	PRICE £
ZZ000962	6	3	450	500	£256.76

**FURTHER INFORMATION AND TECHNICAL HANDPUMP PDF IS AVAILABLE TO DOWNLOAD FROM OUR WEBSITE AT [www.flowfitonline.com](http://www.flowfitonline.com)**

## 6cm<sup>3</sup> DOUBLE ACTING HANDPUMP, 5L TANK & 600mm LEVER



All hand pumps are fully interchangeable with other leading Italian manufacturers.

Supplied with rubber protection for the piston, pressure relief valve and 4/3 flow divider closed centre. Displacements, tank size and pressures as shown in the table below.

PART NO.	DISPLACEMENT CM <sup>3</sup>	TANK SIZE LITRES	MAX WORKING PRESSURE BAR	MAX PRESSURE BAR	PRICE £
ZZ000963	6	5	450	500	£273.56

**FURTHER INFORMATION AND TECHNICAL HANDPUMP PDF IS AVAILABLE TO DOWNLOAD FROM OUR WEBSITE AT [www.flowfitonline.com](http://www.flowfitonline.com)**

## 6cm<sup>3</sup> DOUBLE ACTING HANDPUMP, 7L TANK & 600mm LEVER



All hand pumps are fully interchangeable with other leading Italian manufacturers.

Supplied with rubber protection for the piston, pressure relief valve and 4/3 flow divider closed centre. Displacements, tank size and pressures as shown in the table below.

PART NO.	DISPLACEMENT CM <sup>3</sup>	TANK SIZE LITRES	MAX WORKING PRESSURE BAR	MAX PRESSURE BAR	PRICE £
ZZ000964	6	7	450	500	£281.20

**FURTHER INFORMATION AND TECHNICAL HANDPUMP PDF IS AVAILABLE TO DOWNLOAD FROM OUR WEBSITE AT [www.flowfitonline.com](http://www.flowfitonline.com)**

## 6cm<sup>3</sup> DOUBLE ACTING HANDPUMP, 10L TANK & 600mm LEVER



All hand pumps are fully interchangeable with other leading Italian manufacturers.

Supplied with rubber protection for the piston, pressure relief valve and 4/3 flow divider closed centre. Displacements, tank size and pressures as shown in the table below.

PART NO.	DISPLACEMENT CM <sup>3</sup>	TANK SIZE LITRES	MAX WORKING PRESSURE BAR	MAX PRESSURE BAR	PRICE £
ZZ000965	6	10	450	500	£286.42

**FURTHER INFORMATION AND TECHNICAL HANDPUMP PDF IS AVAILABLE TO DOWNLOAD FROM OUR WEBSITE AT [www.flowfitonline.com](http://www.flowfitonline.com)**

## 12cm<sup>3</sup> DOUBLE ACTING HANDPUMP ASSEMBLIES

### 12cm<sup>3</sup> DOUBLE ACTING HANDPUMP, 1L TANK & 600mm LEVER

All hand pumps are fully interchangeable with other leading Italian manufacturers.

Supplied with rubber protection for the piston, pressure relief valve and 4/3 flow divider closed centre. Displacements, tank size and pressures as shown in the table below.



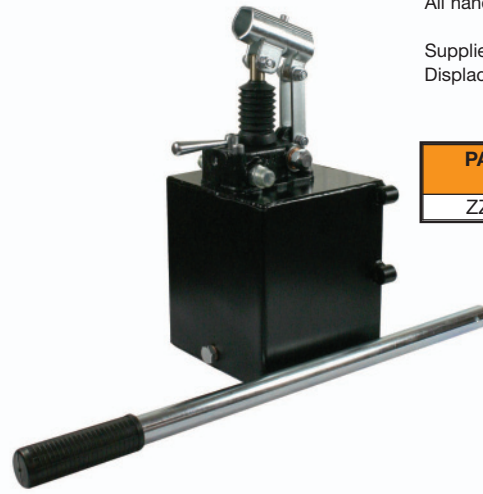
PART NO.	DISPLACEMENT CM <sup>3</sup>	TANK SIZE LITRES	MAX WORKING PRESSURE BAR	MAX PRESSURE BAR	PRICE £
ZZ000966	12	1	320	380	£247.35

**FURTHER INFORMATION AND TECHNICAL HANDPUMP PDF IS AVAILABLE TO DOWNLOAD FROM OUR WEBSITE AT [www.flowfitonline.com](http://www.flowfitonline.com)**

### 12cm<sup>3</sup> DOUBLE ACTING HANDPUMP, 2L TANK & 600mm LEVER

All hand pumps are fully interchangeable with other leading Italian manufacturers.

Supplied with rubber protection for the piston, pressure relief valve and 4/3 flow divider closed centre. Displacements, tank size and pressures as shown in the table below.




PART NO.	DISPLACEMENT CM <sup>3</sup>	TANK SIZE LITRES	MAX WORKING PRESSURE BAR	MAX PRESSURE BAR	PRICE £
ZZ000967	12	2	320	380	£253.19

**FURTHER INFORMATION AND TECHNICAL HANDPUMP PDF IS AVAILABLE TO DOWNLOAD FROM OUR WEBSITE AT [www.flowfitonline.com](http://www.flowfitonline.com)**

### 12cm<sup>3</sup> DOUBLE ACTING HANDPUMP, 3L TANK & 600mm LEVER

All hand pumps are fully interchangeable with other leading Italian manufacturers.

Supplied with rubber protection for the piston, pressure relief valve and 4/3 flow divider closed centre. Displacements, tank size and pressures as shown in the table below.



PART NO.	DISPLACEMENT CM <sup>3</sup>	TANK SIZE LITRES	MAX WORKING PRESSURE BAR	MAX PRESSURE BAR	PRICE £
ZZ000968	12	3	320	380	£256.76

**FURTHER INFORMATION AND TECHNICAL HANDPUMP PDF IS AVAILABLE TO DOWNLOAD FROM OUR WEBSITE AT [www.flowfitonline.com](http://www.flowfitonline.com)**

## 12cm<sup>3</sup> DOUBLE ACTING HANDPUMP, 5L TANK & 600mm LEVER



All hand pumps are fully interchangeable with other leading Italian manufacturers.

Supplied with rubber protection for the piston, pressure relief valve and 4/3 flow divider closed centre. Displacements, tank size and pressures as shown in the table below.

PART NO.	DISPLACEMENT CM <sup>3</sup>	TANK SIZE LITRES	MAX WORKING PRESSURE BAR	MAX PRESSURE BAR	PRICE £
ZZ000969	12	5	320	380	£273.56

**FURTHER INFORMATION AND TECHNICAL HANDPUMP PDF IS AVAILABLE TO DOWNLOAD FROM OUR WEBSITE AT [www.flowfitonline.com](http://www.flowfitonline.com)**

## 12cm<sup>3</sup> DOUBLE ACTING HANDPUMP, 7L TANK & 600mm LEVER



All hand pumps are fully interchangeable with other leading Italian manufacturers.

Supplied with rubber protection for the piston, pressure relief valve and 4/3 flow divider closed centre. Displacements, tank size and pressures as shown in the table below.

PART NO.	DISPLACEMENT CM <sup>3</sup>	TANK SIZE LITRES	MAX WORKING PRESSURE BAR	MAX PRESSURE BAR	PRICE £
ZZ000970	12	7	320	380	£281.20

**FURTHER INFORMATION AND TECHNICAL HANDPUMP PDF IS AVAILABLE TO DOWNLOAD FROM OUR WEBSITE AT [www.flowfitonline.com](http://www.flowfitonline.com)**

## 12cm<sup>3</sup> DOUBLE ACTING HANDPUMP, 10L TANK & 600mm LEVER



All hand pumps are fully interchangeable with other leading Italian manufacturers.

Supplied with rubber protection for the piston, pressure relief valve and 4/3 flow divider closed centre. Displacements, tank size and pressures as shown in the table below.

PART NO.	DISPLACEMENT CM <sup>3</sup>	TANK SIZE LITRES	MAX WORKING PRESSURE BAR	MAX PRESSURE BAR	PRICE £
ZZ000971	12	10	320	380	£286.42

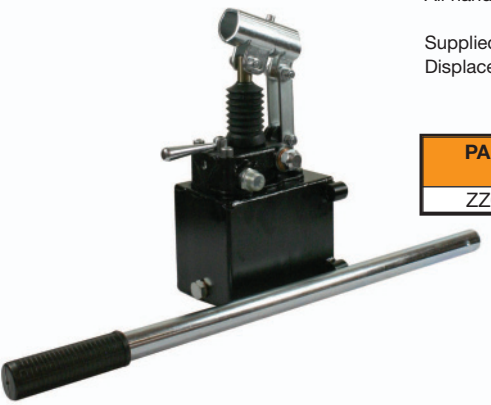
**FURTHER INFORMATION AND TECHNICAL HANDPUMP PDF IS AVAILABLE TO DOWNLOAD FROM OUR WEBSITE AT [www.flowfitonline.com](http://www.flowfitonline.com)**

## 25cm<sup>3</sup> DOUBLE ACTING HANDPUMP ASSEMBLIES

### 25cm<sup>3</sup> DOUBLE ACTING HANDPUMP, 1L TANK & 600mm LEVER

All hand pumps are fully interchangeable with other leading Italian manufacturers.

Supplied with rubber protection for the piston, pressure relief valve and 4/3 flow divider closed centre. Displacements, tank size and pressures as shown in the table below.




PART NO.	DISPLACEMENT CM <sup>3</sup>	TANK SIZE LITRES	MAX WORKING PRESSURE BAR	MAX PRESSURE BAR	PRICE £
ZZ000972	25	1	280	350	£247.33

**FURTHER INFORMATION AND TECHNICAL HANDPUMP PDF IS AVAILABLE TO DOWNLOAD FROM OUR WEBSITE AT [www.flowfitonline.com](http://www.flowfitonline.com)**

### 25cm<sup>3</sup> DOUBLE ACTING HANDPUMP, 2L TANK & 600mm LEVER

All hand pumps are fully interchangeable with other leading Italian manufacturers.

Supplied with rubber protection for the piston, pressure relief valve and 4/3 flow divider closed centre. Displacements, tank size and pressures as shown in the table below.




PART NO.	DISPLACEMENT CM <sup>3</sup>	TANK SIZE LITRES	MAX WORKING PRESSURE BAR	MAX PRESSURE BAR	PRICE £
ZZ000973	25	2	280	350	£253.19

**FURTHER INFORMATION AND TECHNICAL HANDPUMP PDF IS AVAILABLE TO DOWNLOAD FROM OUR WEBSITE AT [www.flowfitonline.com](http://www.flowfitonline.com)**

### 25cm<sup>3</sup> DOUBLE ACTING HANDPUMP, 3L TANK & 600mm LEVER

All hand pumps are fully interchangeable with other leading Italian manufacturers.

Supplied with rubber protection for the piston, pressure relief valve and 4/3 flow divider closed centre. Displacements, tank size and pressures as shown in the table below.



PART NO.	DISPLACEMENT CM <sup>3</sup>	TANK SIZE LITRES	MAX WORKING PRESSURE BAR	MAX PRESSURE BAR	PRICE £
ZZ000974	25	3	280	350	£256.76

**FURTHER INFORMATION AND TECHNICAL HANDPUMP PDF IS AVAILABLE TO DOWNLOAD FROM OUR WEBSITE AT [www.flowfitonline.com](http://www.flowfitonline.com)**

## 25cm<sup>3</sup> DOUBLE ACTING HANDPUMP, 5L TANK & 600mm LEVER



All hand pumps are fully interchangeable with other leading Italian manufacturers.

Supplied with rubber protection for the piston, pressure relief valve and 4/3 flow divider closed centre. Displacements, tank size and pressures as shown in the table below.

PART NO.	DISPLACEMENT CM <sup>3</sup>	TANK SIZE LITRES	MAX WORKING PRESSURE BAR	MAX PRESSURE BAR	PRICE £
ZZ000975	25	5	280	350	£273.56

**FURTHER INFORMATION AND TECHNICAL HANDPUMP PDF IS AVAILABLE TO DOWNLOAD FROM OUR WEBSITE AT [www.flowfitonline.com](http://www.flowfitonline.com)**

## 25cm<sup>3</sup> DOUBLE ACTING HANDPUMP, 7L TANK & 600mm LEVER



All hand pumps are fully interchangeable with other leading Italian manufacturers.

Supplied with rubber protection for the piston, pressure relief valve and 4/3 flow divider closed centre. Displacements, tank size and pressures as shown in the table below.

PART NO.	DISPLACEMENT CM <sup>3</sup>	TANK SIZE LITRES	MAX WORKING PRESSURE BAR	MAX PRESSURE BAR	PRICE £
ZZ000976	25	7	280	350	£281.08

**FURTHER INFORMATION AND TECHNICAL HANDPUMP PDF IS AVAILABLE TO DOWNLOAD FROM OUR WEBSITE AT [www.flowfitonline.com](http://www.flowfitonline.com)**

## 25cm<sup>3</sup> DOUBLE ACTING HANDPUMP, 10L TANK & 600mm LEVER



All hand pumps are fully interchangeable with other leading Italian manufacturers.

Supplied with rubber protection for the piston, pressure relief valve and 4/3 flow divider closed centre. Displacements, tank size and pressures as shown in the table below.

PART NO.	DISPLACEMENT CM <sup>3</sup>	TANK SIZE LITRES	MAX WORKING PRESSURE BAR	MAX PRESSURE BAR	PRICE £
ZZ000977	25	10	280	350	£286.42

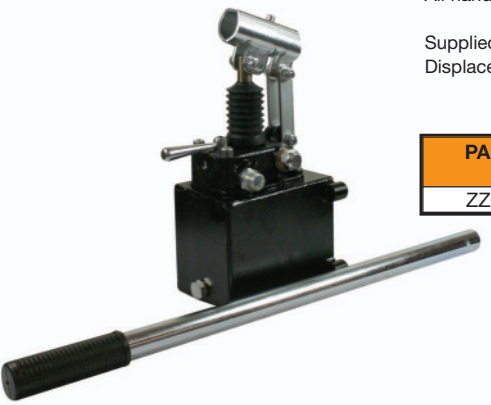
**FURTHER INFORMATION AND TECHNICAL HANDPUMP PDF IS AVAILABLE TO DOWNLOAD FROM OUR WEBSITE AT [www.flowfitonline.com](http://www.flowfitonline.com)**

## 45cm<sup>3</sup> DOUBLE ACTING HANDPUMP ASSEMBLIES

### 45cm<sup>3</sup> DOUBLE ACTING HANDPUMP, 1L TANK & 600mm LEVER

All hand pumps are fully interchangeable with other leading Italian manufacturers.

Supplied with rubber protection for the piston, pressure relief valve and 4/3 flow divider closed centre. Displacements, tank size and pressures as shown in the table below.



PART NO.	DISPLACEMENT CM <sup>3</sup>	TANK SIZE LITRES	MAX WORKING PRESSURE BAR	MAX PRESSURE BAR	PRICE £
ZZ000978	45	1	220	280	£252.43

**FURTHER INFORMATION AND TECHNICAL HANDPUMP PDF IS AVAILABLE TO DOWNLOAD FROM OUR WEBSITE AT [www.flowfitonline.com](http://www.flowfitonline.com)**

### 45cm<sup>3</sup> DOUBLE ACTING HANDPUMP, 2L TANK & 600mm LEVER

All hand pumps are fully interchangeable with other leading Italian manufacturers.

Supplied with rubber protection for the piston, pressure relief valve and 4/3 flow divider closed centre. Displacements, tank size and pressures as shown in the table below.




PART NO.	DISPLACEMENT CM <sup>3</sup>	TANK SIZE LITRES	MAX WORKING PRESSURE BAR	MAX PRESSURE BAR	PRICE £
ZZ000979	45	2	220	280	£258.29

**FURTHER INFORMATION AND TECHNICAL HANDPUMP PDF IS AVAILABLE TO DOWNLOAD FROM OUR WEBSITE AT [www.flowfitonline.com](http://www.flowfitonline.com)**

### 45cm<sup>3</sup> DOUBLE ACTING HANDPUMP, 3L TANK & 600mm LEVER

All hand pumps are fully interchangeable with other leading Italian manufacturers.

Supplied with rubber protection for the piston, pressure relief valve and 4/3 flow divider closed centre. Displacements, tank size and pressures as shown in the table below.



PART NO.	DISPLACEMENT CM <sup>3</sup>	TANK SIZE LITRES	MAX WORKING PRESSURE BAR	MAX PRESSURE BAR	PRICE £
ZZ000980	45	3	220	280	£261.86

**FURTHER INFORMATION AND TECHNICAL HANDPUMP PDF IS AVAILABLE TO DOWNLOAD FROM OUR WEBSITE AT [www.flowfitonline.com](http://www.flowfitonline.com)**



## 45cm<sup>3</sup> DOUBLE ACTING HANDPUMP, 5L TANK & 600mm LEVER



All hand pumps are fully interchangeable with other leading Italian manufacturers.

Supplied with rubber protection for the piston, pressure relief valve and 4/3 flow divider closed centre. Displacements, tank size and pressures as shown in the table below.

PART NO.	DISPLACEMENT CM <sup>3</sup>	TANK SIZE LITRES	MAX WORKING PRESSURE BAR	MAX PRESSURE BAR	PRICE £
ZZ000981	45	5	220	280	£278.65

**FURTHER INFORMATION AND TECHNICAL HANDPUMP PDF IS AVAILABLE TO DOWNLOAD FROM OUR WEBSITE AT [www.flowfitonline.com](http://www.flowfitonline.com)**

## 45cm<sup>3</sup> DOUBLE ACTING HANDPUMP, 7L TANK & 600mm LEVER



All hand pumps are fully interchangeable with other leading Italian manufacturers.

Supplied with rubber protection for the piston, pressure relief valve and 4/3 flow divider closed centre. Displacements, tank size and pressures as shown in the table below.

PART NO.	DISPLACEMENT CM <sup>3</sup>	TANK SIZE LITRES	MAX WORKING PRESSURE BAR	MAX PRESSURE BAR	PRICE £
ZZ000982	45	7	220	280	£286.30

**FURTHER INFORMATION AND TECHNICAL HANDPUMP PDF IS AVAILABLE TO DOWNLOAD FROM OUR WEBSITE AT [www.flowfitonline.com](http://www.flowfitonline.com)**

## 45cm<sup>3</sup> DOUBLE ACTING HANDPUMP, 10L TANK & 600mm LEVER



All hand pumps are fully interchangeable with other leading Italian manufacturers.

Supplied with rubber protection for the piston, pressure relief valve and 4/3 flow divider closed centre. Displacements, tank size and pressures as shown in the table below.

PART NO.	DISPLACEMENT CM <sup>3</sup>	TANK SIZE LITRES	MAX WORKING PRESSURE BAR	MAX PRESSURE BAR	PRICE £
ZZ000983	45	10	220	280	£291.50

**FURTHER INFORMATION AND TECHNICAL HANDPUMP PDF IS AVAILABLE TO DOWNLOAD FROM OUR WEBSITE AT [www.flowfitonline.com](http://www.flowfitonline.com)**