

SINGLE ACTING HANDPUMP ASSEMBLIES

6cm ³ SINGLE ACTING HANDPUMP ASSEMBLIES	332
12cm ³ SINGLE ACTING HANDPUMP ASSEMBLIES	334
25cm ³ SINGLE ACTING HANDPUMP ASSEMBLIES	336
45cm ³ SINGLE ACTING HANDPUMP ASSEMBLIES	338



Flowfit hand pump assemblies consist of a single acting handpump, steel tank and 600mm lever with all variations shown. The Flowfit range of hand pumps have been developed and manufactured for high performance and reliability. They are used in many different sectors such as transport, industry and agriculture.

OIL

Use only ISO 6743/4 (DIN 51524) hydraulic mineral oil.

VISCOSITY

Viscosity must be according to ISO 3448 (DIN 51519) standards.

Minimum viscosity: ISO VG 15
Maximum viscosity: ISO VG 100
Advised viscosity: ISO VG 46

FILTRATION CONTAMINATION

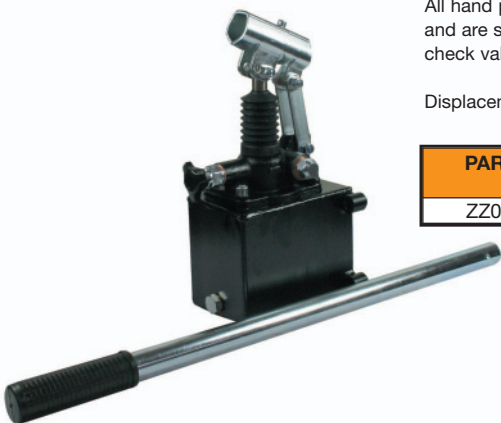
The main cause for failure in most hydraulic installations is due to excessive fluid contamination.

Advised filtration: 50-80 microns
Contamination class 18/14 ISO 4406 (9 NAS 1638)

FLOWFIT

6cm³ SINGLE ACTING HANDPUMP ASSEMBLIES

6cm³ SINGLE ACTING HANDPUMP, 1L TANK & 600mm LEVER



All hand pumps are fully interchangeable with other leading Italian manufacturers and are supplied with rubber protection for the piston, pressure relief valve, check valve to lock a single acting cylinder and release knob.

Displacements, tank size and pressures as shown in the table below.

PART NO.	DISPLACEMENT CM ³	TANK SIZE LITRES	MAX WORKING PRESSURE BAR	MAX PRESSURE BAR	PRICE £
ZZ000936	6	1	450	500	£224.43

FURTHER INFORMATION AND TECHNICAL HANDPUMP PDF IS AVAILABLE TO DOWNLOAD FROM OUR WEBSITE AT www.flowfitonline.com

6cm³ SINGLE ACTING HANDPUMP, 2L TANK & 600mm LEVER



All hand pumps are fully interchangeable with other leading Italian manufacturers and are supplied with rubber protection for the piston, pressure relief valve, check valve to lock a single acting cylinder and release knob.

Displacements, tank size and pressures as shown in the table below.

PART NO.	DISPLACEMENT CM ³	TANK SIZE LITRES	MAX WORKING PRESSURE BAR	MAX PRESSURE BAR	PRICE £
ZZ000937	6	2	450	500	£230.29

FURTHER INFORMATION AND TECHNICAL HANDPUMP PDF IS AVAILABLE TO DOWNLOAD FROM OUR WEBSITE AT www.flowfitonline.com

6cm³ SINGLE ACTING HANDPUMP, 3L TANK & 600mm LEVER



All hand pumps are fully interchangeable with other leading Italian manufacturers and are supplied with rubber protection for the piston, pressure relief valve, check valve to lock a single acting cylinder and release knob.

Displacements, tank size and pressures as shown in the table below.

PART NO.	DISPLACEMENT CM ³	TANK SIZE LITRES	MAX WORKING PRESSURE BAR	MAX PRESSURE BAR	PRICE £
ZZ000938	6	3	450	500	£233.86

FURTHER INFORMATION AND TECHNICAL HANDPUMP PDF IS AVAILABLE TO DOWNLOAD FROM OUR WEBSITE AT www.flowfitonline.com

6cm³ SINGLE ACTING HANDPUMP, 5L TANK & 600mm LEVER

All hand pumps are fully interchangeable with other leading Italian manufacturers and are supplied with rubber protection for the piston, pressure relief valve, check valve to lock a single acting cylinder and release knob.

Displacements, tank size and pressures as shown in the table below.

PART NO.	DISPLACEMENT CM ³	TANK SIZE LITRES	MAX WORKING PRESSURE BAR	MAX PRESSURE BAR	PRICE £
ZZ000939	6	5	450	500	£250.64

FURTHER INFORMATION AND TECHNICAL HANDPUMP PDF IS AVAILABLE TO DOWNLOAD FROM OUR WEBSITE AT www.flowfitonline.com



6cm³ SINGLE ACTING HANDPUMP, 7L TANK & 600mm LEVER

All hand pumps are fully interchangeable with other leading Italian manufacturers and are supplied with rubber protection for the piston, pressure relief valve, check valve to lock a single acting cylinder and release knob.

Displacements, tank size and pressures as shown in the table below.

PART NO.	DISPLACEMENT CM ³	TANK SIZE LITRES	MAX WORKING PRESSURE BAR	MAX PRESSURE BAR	PRICE £
ZZ000940	6	7	450	500	£258.29

FURTHER INFORMATION AND TECHNICAL HANDPUMP PDF IS AVAILABLE TO DOWNLOAD FROM OUR WEBSITE AT www.flowfitonline.com



6cm³ SINGLE ACTING HANDPUMP, 10L TANK & 600mm LEVER

All hand pumps are fully interchangeable with other leading Italian manufacturers and are supplied with rubber protection for the piston, pressure relief valve, check valve to lock a single acting cylinder and release knob.

Displacements, tank size and pressures as shown in the table below.

PART NO.	DISPLACEMENT CM ³	TANK SIZE LITRES	MAX WORKING PRESSURE BAR	MAX PRESSURE BAR	PRICE £
ZZ000941	6	10	450	500	£263.51

FURTHER INFORMATION AND TECHNICAL HANDPUMP PDF IS AVAILABLE TO DOWNLOAD FROM OUR WEBSITE AT www.flowfitonline.com



12cm³ SINGLE ACTING HANDPUMP ASSEMBLIES

12cm³ SINGLE ACTING HANDPUMP, 1L TANK & 600mm LEVER



All hand pumps are fully interchangeable with other leading Italian manufacturers and are supplied with rubber protection for the piston, pressure relief valve, check valve to lock a single acting cylinder and release knob.

Displacements, tank size and pressures as shown in the table below.

PART NO.	DISPLACEMENT CM ³	TANK SIZE LITRES	MAX WORKING PRESSURE BAR	MAX PRESSURE BAR	PRICE £
ZZ000942	12	1	320	380	£224.43

FURTHER INFORMATION AND TECHNICAL HANDPUMP PDF IS AVAILABLE TO DOWNLOAD FROM OUR WEBSITE AT www.flowfitonline.com

12cm³ SINGLE ACTING HANDPUMP, 2L TANK & 600mm LEVER



All hand pumps are fully interchangeable with other leading Italian manufacturers and are supplied with rubber protection for the piston, pressure relief valve, check valve to lock a single acting cylinder and release knob.

Displacements, tank size and pressures as shown in the table below.

PART NO.	DISPLACEMENT CM ³	TANK SIZE LITRES	MAX WORKING PRESSURE BAR	MAX PRESSURE BAR	PRICE £
ZZ000943	12	2	320	380	£230.29

FURTHER INFORMATION AND TECHNICAL HANDPUMP PDF IS AVAILABLE TO DOWNLOAD FROM OUR WEBSITE AT www.flowfitonline.com

12cm³ SINGLE ACTING HANDPUMP, 3L TANK & 600mm LEVER



All hand pumps are fully interchangeable with other leading Italian manufacturers and are supplied with rubber protection for the piston, pressure relief valve, check valve to lock a single acting cylinder and release knob.

Displacements, tank size and pressures as shown in the table below.

PART NO.	DISPLACEMENT CM ³	TANK SIZE LITRES	MAX WORKING PRESSURE BAR	MAX PRESSURE BAR	PRICE £
ZZ000944	12	3	320	380	£233.86

FURTHER INFORMATION AND TECHNICAL HANDPUMP PDF IS AVAILABLE TO DOWNLOAD FROM OUR WEBSITE AT www.flowfitonline.com

12cm³ SINGLE ACTING HANDPUMP, 5L TANK & 600mm LEVER

All hand pumps are fully interchangeable with other leading Italian manufacturers and are supplied with rubber protection for the piston, pressure relief valve, check valve to lock a single acting cylinder and release knob.

Displacements, tank size and pressures as shown in the table below.

PART NO.	DISPLACEMENT CM ³	TANK SIZE LITRES	MAX WORKING PRESSURE BAR	MAX PRESSURE BAR	PRICE £
ZZ000945	12	5	320	380	£250.65

FURTHER INFORMATION AND TECHNICAL HANDPUMP PDF IS AVAILABLE TO DOWNLOAD FROM OUR WEBSITE AT www.flowfitonline.com



12cm³ SINGLE ACTING HANDPUMP, 7L TANK & 600mm LEVER

All hand pumps are fully interchangeable with other leading Italian manufacturers and are supplied with rubber protection for the piston, pressure relief valve, check valve to lock a single acting cylinder and release knob.

Displacements, tank size and pressures as shown in the table below.

PART NO.	DISPLACEMENT CM ³	TANK SIZE LITRES	MAX WORKING PRESSURE BAR	MAX PRESSURE BAR	PRICE £
ZZ000946	12	7	320	380	£258.29

FURTHER INFORMATION AND TECHNICAL HANDPUMP PDF IS AVAILABLE TO DOWNLOAD FROM OUR WEBSITE AT www.flowfitonline.com



12cm³ SINGLE ACTING HANDPUMP, 10L TANK & 600mm LEVER

All hand pumps are fully interchangeable with other leading Italian manufacturers and are supplied with rubber protection for the piston, pressure relief valve, check valve to lock a single acting cylinder and release knob.

Displacements, tank size and pressures as shown in the table below.

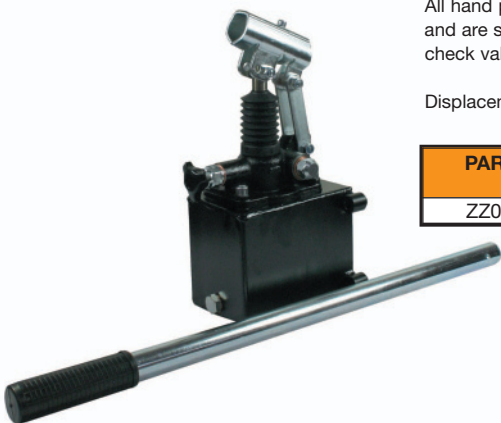
PART NO.	DISPLACEMENT CM ³	TANK SIZE LITRES	MAX WORKING PRESSURE BAR	MAX PRESSURE BAR	PRICE £
ZZ000947	12	10	320	380	£263.51

FURTHER INFORMATION AND TECHNICAL HANDPUMP PDF IS AVAILABLE TO DOWNLOAD FROM OUR WEBSITE AT www.flowfitonline.com



25cm³ SINGLE ACTING HANDPUMP ASSEMBLIES

25cm³ SINGLE ACTING HANDPUMP, 1L TANK & 600mm LEVER



All hand pumps are fully interchangeable with other leading Italian manufacturers and are supplied with rubber protection for the piston, pressure relief valve, check valve to lock a single acting cylinder and release knob.

Displacements, tank size and pressures as shown in the table below.

PART NO.	DISPLACEMENT CM ³	TANK SIZE LITRES	MAX WORKING PRESSURE BAR	MAX PRESSURE BAR	PRICE £
ZZ000948	25	1	280	350	£215.33

FURTHER INFORMATION AND TECHNICAL HANDPUMP PDF IS AVAILABLE TO DOWNLOAD FROM OUR WEBSITE AT www.flowfitonline.com

25cm³ SINGLE ACTING HANDPUMP, 2L TANK & 600mm LEVER



All hand pumps are fully interchangeable with other leading Italian manufacturers and are supplied with rubber protection for the piston, pressure relief valve, check valve to lock a single acting cylinder and release knob.

Displacements, tank size and pressures as shown in the table below.

PART NO.	DISPLACEMENT CM ³	TANK SIZE LITRES	MAX WORKING PRESSURE BAR	MAX PRESSURE BAR	PRICE £
ZZ000949	25	2	280	350	£234.10

FURTHER INFORMATION AND TECHNICAL HANDPUMP PDF IS AVAILABLE TO DOWNLOAD FROM OUR WEBSITE AT www.flowfitonline.com

25cm³ SINGLE ACTING HANDPUMP, 3L TANK & 600mm LEVER



All hand pumps are fully interchangeable with other leading Italian manufacturers and are supplied with rubber protection for the piston, pressure relief valve, check valve to lock a single acting cylinder and release knob.

Displacements, tank size and pressures as shown in the table below.

PART NO.	DISPLACEMENT CM ³	TANK SIZE LITRES	MAX WORKING PRESSURE BAR	MAX PRESSURE BAR	PRICE £
ZZ000950	25	3	280	350	£237.68

FURTHER INFORMATION AND TECHNICAL HANDPUMP PDF IS AVAILABLE TO DOWNLOAD FROM OUR WEBSITE AT www.flowfitonline.com

25cm³ SINGLE ACTING HANDPUMP, 5L TANK & 600mm LEVER

All hand pumps are fully interchangeable with other leading Italian manufacturers and are supplied with rubber protection for the piston, pressure relief valve, check valve to lock a single acting cylinder and release knob.

Displacements, tank size and pressures as shown in the table below.

PART NO.	DISPLACEMENT CM ³	TANK SIZE LITRES	MAX WORKING PRESSURE BAR	MAX PRESSURE BAR	PRICE £
ZZ000951	25	5	280	350	£254.40

FURTHER INFORMATION AND TECHNICAL HANDPUMP PDF IS AVAILABLE TO DOWNLOAD FROM OUR WEBSITE AT www.flowfitonline.com



25cm³ SINGLE ACTING HANDPUMP, 7L TANK & 600mm LEVER

All hand pumps are fully interchangeable with other leading Italian manufacturers and are supplied with rubber protection for the piston, pressure relief valve, check valve to lock a single acting cylinder and release knob.

Displacements, tank size and pressures as shown in the table below.

PART NO.	DISPLACEMENT CM ³	TANK SIZE LITRES	MAX WORKING PRESSURE BAR	MAX PRESSURE BAR	PRICE £
ZZ000952	25	7	280	350	£262.11

FURTHER INFORMATION AND TECHNICAL HANDPUMP PDF IS AVAILABLE TO DOWNLOAD FROM OUR WEBSITE AT www.flowfitonline.com



25cm³ SINGLE ACTING HANDPUMP, 10L TANK & 600mm LEVER

All hand pumps are fully interchangeable with other leading Italian manufacturers and are supplied with rubber protection for the piston, pressure relief valve, check valve to lock a single acting cylinder and release knob.

Displacements, tank size and pressures as shown in the table below.

PART NO.	DISPLACEMENT CM ³	TANK SIZE LITRES	MAX WORKING PRESSURE BAR	MAX PRESSURE BAR	PRICE £
ZZ000953	25	10	280	350	£252.19

FURTHER INFORMATION AND TECHNICAL HANDPUMP PDF IS AVAILABLE TO DOWNLOAD FROM OUR WEBSITE AT www.flowfitonline.com



45cm³ SINGLE ACTING HANDPUMP ASSEMBLIES

45cm³ SINGLE ACTING HANDPUMP, 1L TANK & 600mm LEVER



All hand pumps are fully interchangeable with other leading Italian manufacturers and are supplied with rubber protection for the piston, pressure relief valve, check valve to lock a single acting cylinder and release knob.

Displacements, tank size and pressures as shown in the table below.

PART NO.	DISPLACEMENT CM ³	TANK SIZE LITRES	MAX WORKING PRESSURE BAR	MAX PRESSURE BAR	PRICE £
ZZ000954	45	1	220	280	£230.80

FURTHER INFORMATION AND TECHNICAL HANDPUMP PDF IS AVAILABLE TO DOWNLOAD FROM OUR WEBSITE AT www.flowfitonline.com

45cm³ SINGLE ACTING HANDPUMP, 2L TANK & 600mm LEVER



All hand pumps are fully interchangeable with other leading Italian manufacturers and are supplied with rubber protection for the piston, pressure relief valve, check valve to lock a single acting cylinder and release knob.

Displacements, tank size and pressures as shown in the table below.

PART NO.	DISPLACEMENT CM ³	TANK SIZE LITRES	MAX WORKING PRESSURE BAR	MAX PRESSURE BAR	PRICE £
ZZ000955	45	2	220	280	£236.66

FURTHER INFORMATION AND TECHNICAL HANDPUMP PDF IS AVAILABLE TO DOWNLOAD FROM OUR WEBSITE AT www.flowfitonline.com

45cm³ SINGLE ACTING HANDPUMP, 3L TANK & 600mm LEVER



All hand pumps are fully interchangeable with other leading Italian manufacturers and are supplied with rubber protection for the piston, pressure relief valve, check valve to lock a single acting cylinder and release knob.

Displacements, tank size and pressures as shown in the table below.

PART NO.	DISPLACEMENT CM ³	TANK SIZE LITRES	MAX WORKING PRESSURE BAR	MAX PRESSURE BAR	PRICE £
ZZ000956	45	3	220	280	£240.22

FURTHER INFORMATION AND TECHNICAL HANDPUMP PDF IS AVAILABLE TO DOWNLOAD FROM OUR WEBSITE AT www.flowfitonline.com

45cm³ SINGLE ACTING HANDPUMP, 5L TANK & 600mm LEVER

All hand pumps are fully interchangeable with other leading Italian manufacturers and are supplied with rubber protection for the piston, pressure relief valve, check valve to lock a single acting cylinder and release knob.

Displacements, tank size and pressures as shown in the table below.

PART NO.	DISPLACEMENT CM ³	TANK SIZE LITRES	MAX WORKING PRESSURE BAR	MAX PRESSURE BAR	PRICE £
ZZ000957	45	5	220	280	£257.01

FURTHER INFORMATION AND TECHNICAL HANDPUMP PDF IS AVAILABLE TO DOWNLOAD FROM OUR WEBSITE AT www.flowfitonline.com



45cm³ SINGLE ACTING HANDPUMP, 7L TANK & 600mm LEVER

All hand pumps are fully interchangeable with other leading Italian manufacturers and are supplied with rubber protection for the piston, pressure relief valve, check valve to lock a single acting cylinder and release knob.

Displacements, tank size and pressures as shown in the table below.

PART NO.	DISPLACEMENT CM ³	TANK SIZE LITRES	MAX WORKING PRESSURE BAR	MAX PRESSURE BAR	PRICE £
ZZ000958	45	7	220	280	£264.65

FURTHER INFORMATION AND TECHNICAL HANDPUMP PDF IS AVAILABLE TO DOWNLOAD FROM OUR WEBSITE AT www.flowfitonline.com



45cm³ SINGLE ACTING HANDPUMP, 10L TANK & 600mm LEVER

All hand pumps are fully interchangeable with other leading Italian manufacturers and are supplied with rubber protection for the piston, pressure relief valve, check valve to lock a single acting cylinder and release knob.

Displacements, tank size and pressures as shown in the table below.

PART NO.	DISPLACEMENT CM ³	TANK SIZE LITRES	MAX WORKING PRESSURE BAR	MAX PRESSURE BAR	PRICE £
ZZ000959	45	10	220	280	£269.88

FURTHER INFORMATION AND TECHNICAL HANDPUMP PDF IS AVAILABLE TO DOWNLOAD FROM OUR WEBSITE AT www.flowfitonline.com

