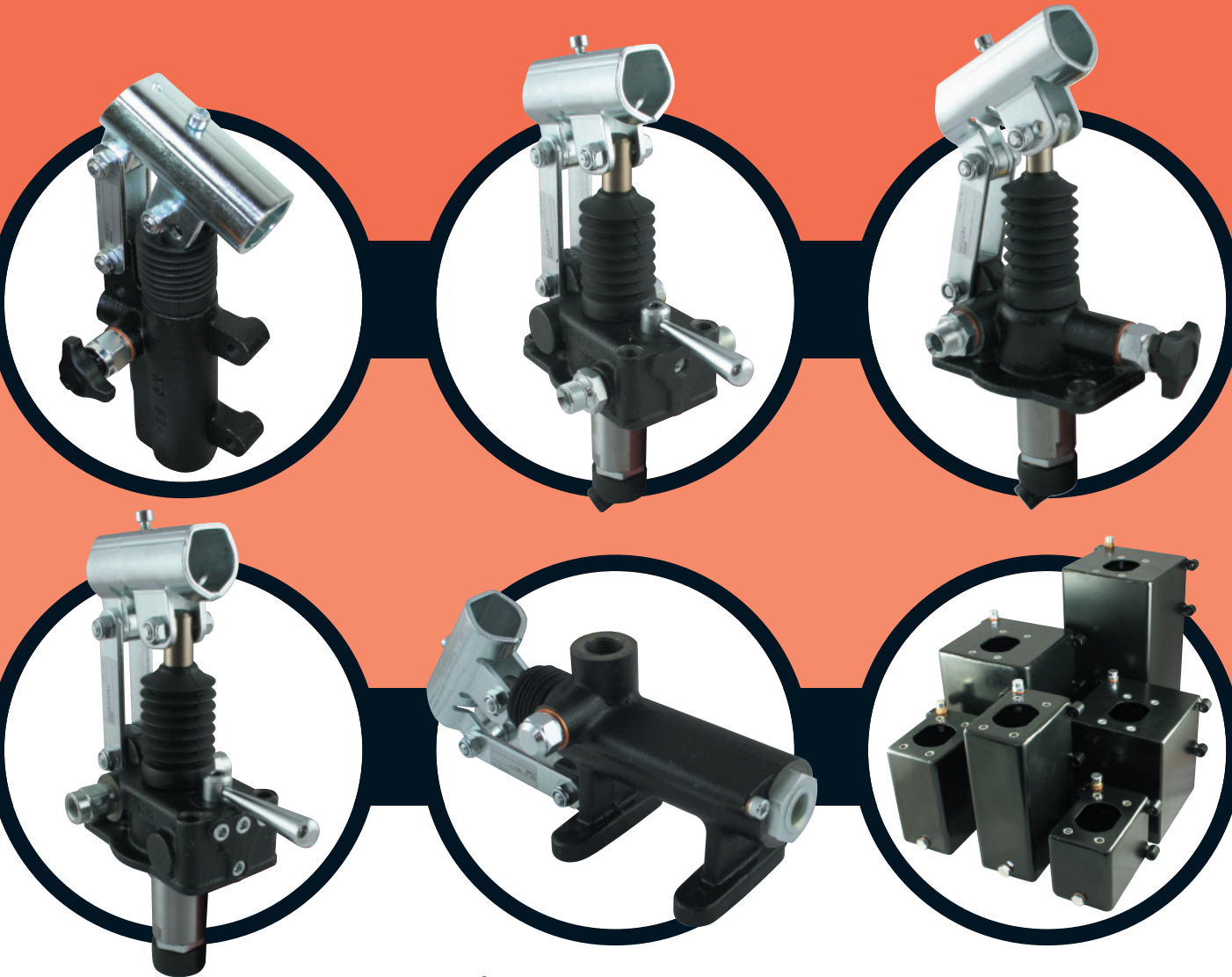


HYDRAULIC HANDPUMPS

PMP 20s INLINE HAND PUMP	319	PMD 6-12-25-45 byB-s TANK MOUNTED HAND PUMP ...	326
PMD 50s INLINE HAND PUMP	320	PMDVB 6-12-25-45 byAB-s TANK MOUNTED HAND PUMP	327
PMD 70s INLINE HAND PUMP	321	PMP 25e INLINE HAND PUMP	328
PMP 20 byB-s INLINE HAND PUMP	322	PPSE 5b byB INLINE HAND PUMP	328
PMO 50 byB-s INLINE HAND PUMP	323	STRAIGHT LEVERS FOR HAND PUMPS	329
PMO 70 byB-s INLINE HAND PUMP	324	FOLD LEVER SFOR HAND PUMPS	329
PM 6-12-25-45 byB-s TANK MOUNTED HAND PUMP	325	STEEL OIL TANKS FOR HAND PUMPS	330



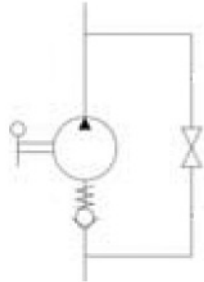
FLOWFIT

PMP 20 s

With release hand knob

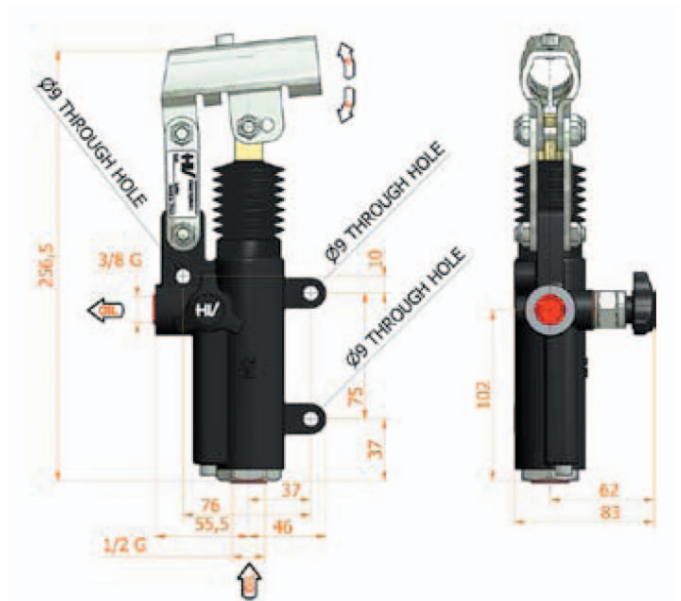
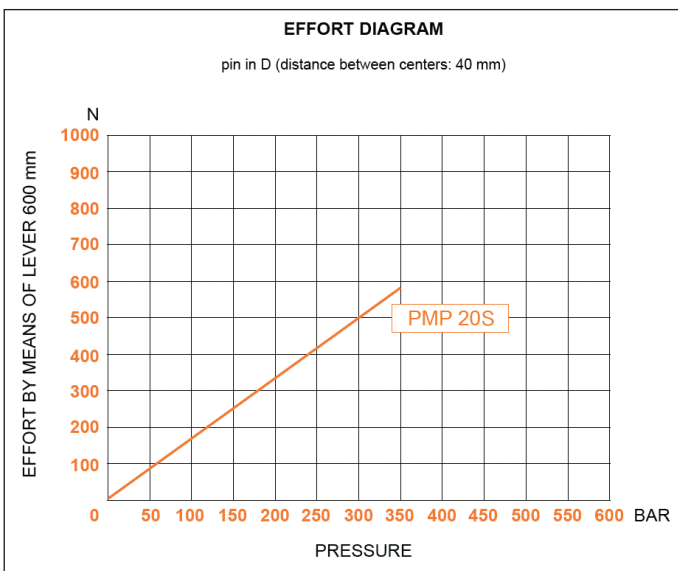
To operate a single acting cylinder and to provide manual handpump flow

★★★★★
Includes Rubber Bellows and Release Hand Knob as standard



SEE PAGE 329 FOR LEVERS

SPECIFICATIONS
<ul style="list-style-type: none"> • Piston treated with Niploy • Lever connection: Ø 27 • Standard colour: Black



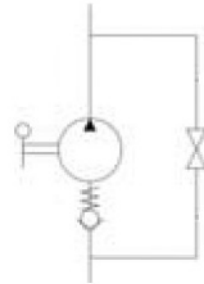
DISPLACEMENT cm ³	D °	E °	ACTUAL DISPLACEMENT cm ³	PRESSURE BAR		MASS KG	CODE WITH BELLOWS	PRICE
				WORK P.	MAX			
20	32	30	20,090	280	350	2,650	6074.0059	£192.94

PMO 50 s

With release hand knob

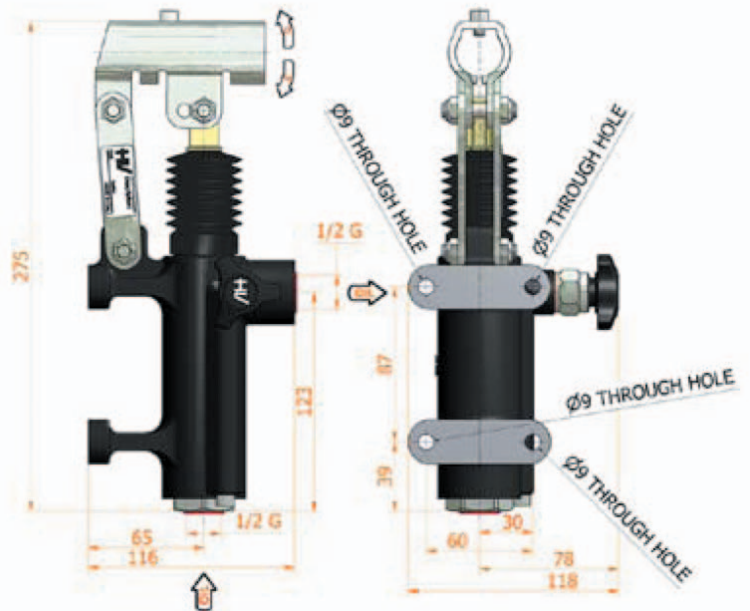
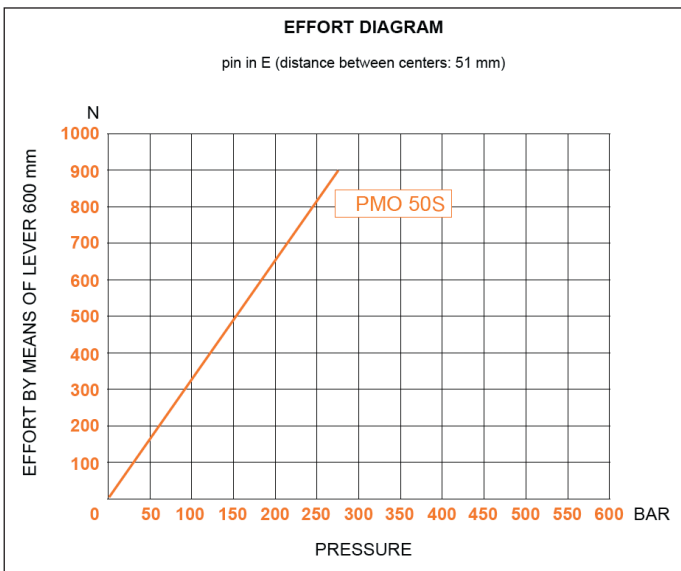
To operate a single acting cylinder and to provide manual handpump flow

★★★★★
Includes Rubber Bellows and Release Hand Knob as standard



SEE PAGE 329 FOR LEVERS

SPECIFICATIONS
<ul style="list-style-type: none"> • Piston treated with Niploy • Lever connection: Ø 27 • Standard colour: Black



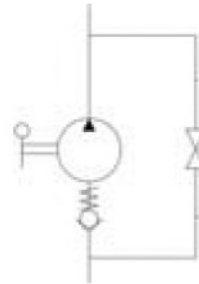
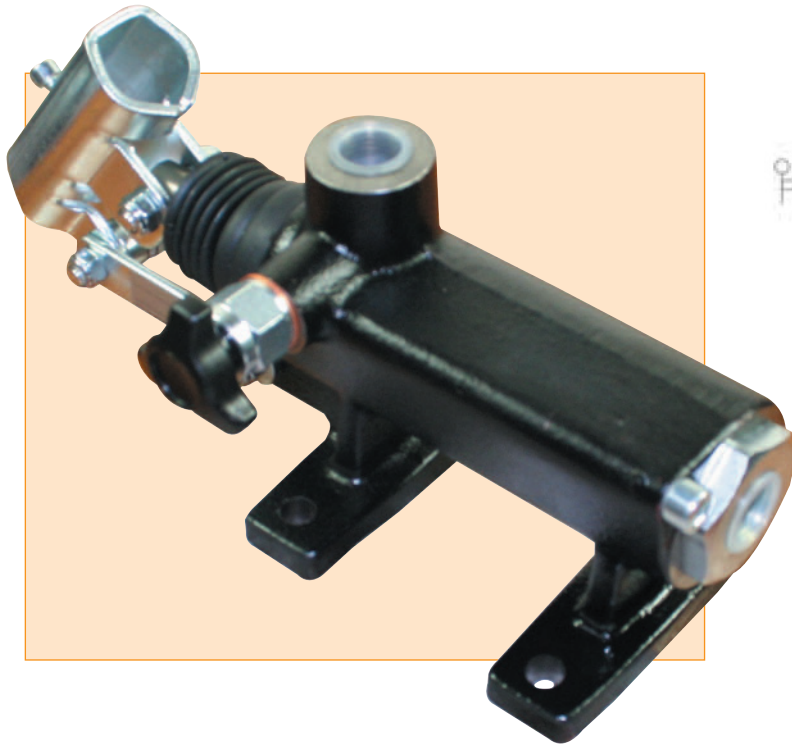
DISPLACEMENT cm ³	D °	E °	ACTUAL DISPLACEMENT cm ³	PRESSURE BAR		MASS KG	CODE WITH BELLOWS	PRICE
				WORK P.	MAX			
50	38	37	43.825	220	280	3,400	6077.0032	£214.19

PMO 70 s

With release hand knob

To operate a single acting cylinder and to provide manual handpump flow

★★★★★
Includes
Rubber Bellows
and Release
Hand Knob as
standard



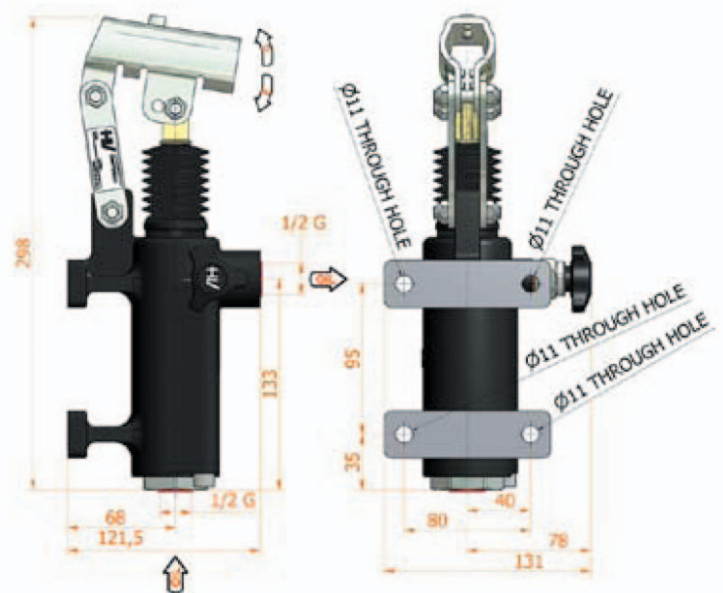
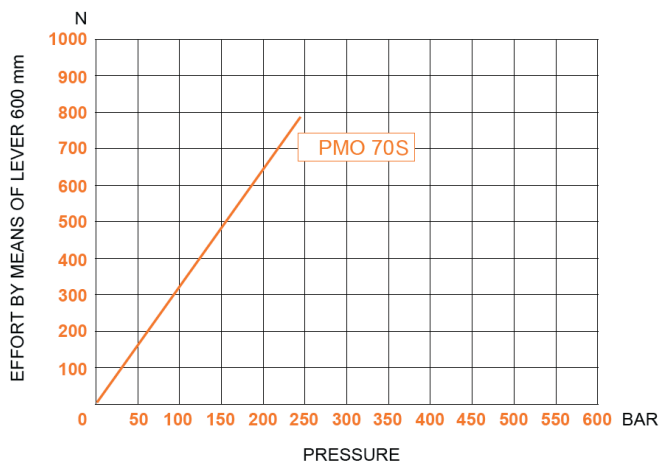
**SEE
PAGE 329
FOR LEVERS**

SPECIFICATIONS

- Piston treated with Niploy
- Lever connection: Ø 27
- Standard colour: Black

EFFORT DIAGRAM

pin in E (distance between centers: 51 mm)



DISPLACEMENT cm ³	D °	E °	ACTUAL DISPLACEMENT cm ³	PRESSURE BAR		MASS KG	CODE WITH BELLOWS	PRICE
				WORK P.	MAX			
70	45	40	70.233	180	230	5.100	6079.0032	£299.16

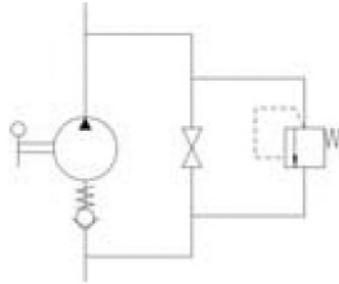
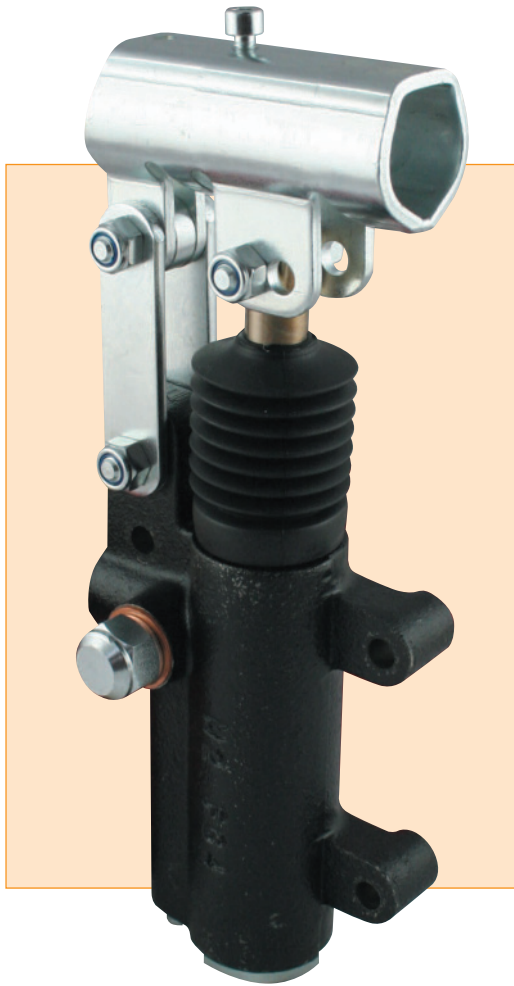
PMP 20 byB-s

With release nut.

With pressure relief valve

Double acting hand pump for single acting cylinder for fixing to wall

★★★★★
Includes
Rubber Bellows
and Relief Valve
as standard



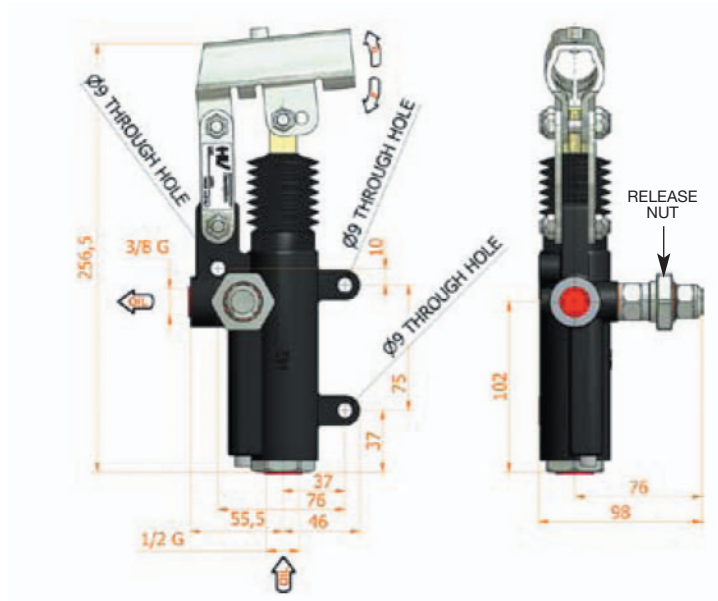
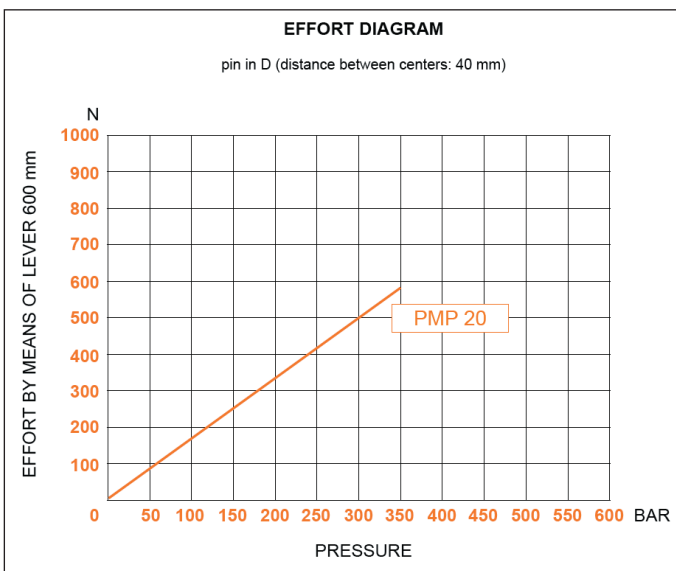
SEE
PAGE 329
FOR LEVERS

SPECIFICATIONS

- Piston treated with Niploy
- Lever connection: $\varnothing 27$
- Standard colour: Black
- Pressure relief valve standard setting: 100 bar

RELIEF VALVE ADJUSTMENT

Unscrew dome cover and adjust screw inwards to increase pressure setting. Factory set at 100 bar.



DISPLACEMENT cm ³	D °	E °	ACTUAL DISPLACEMENT cm ³	PRESSURE BAR		MASS KG	CODE WITH BELLOWS	PRICE
				WORK P.	MAX			
20	32	30	20,090	280	350	2,650	6074.0065	£192.94

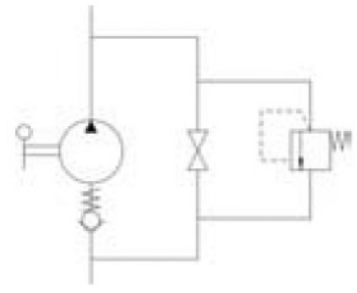
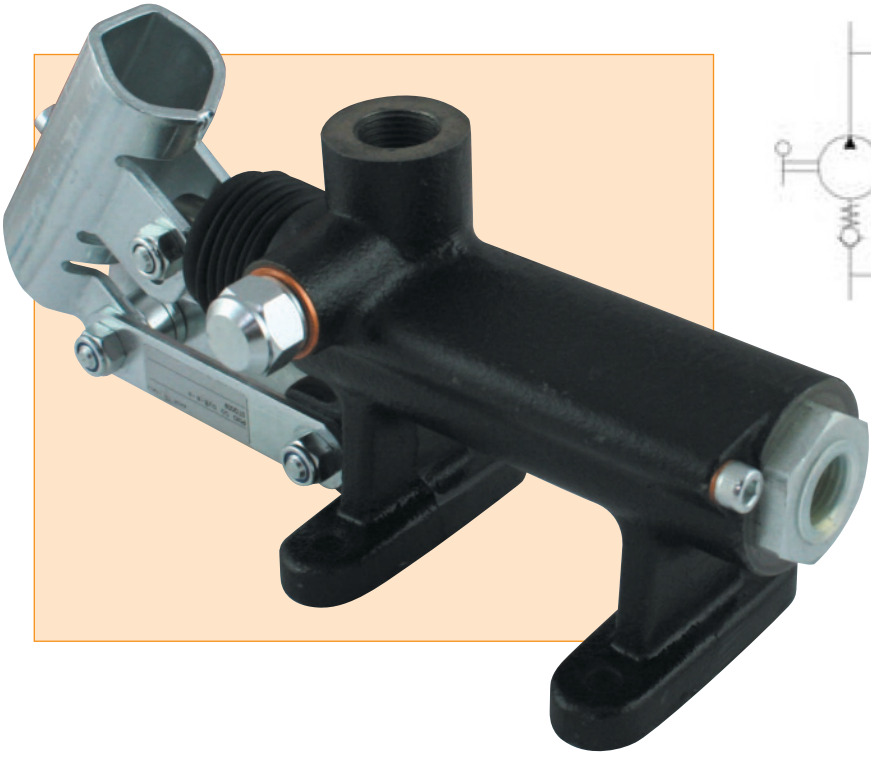
PMO 50 byB-s

With release nut.

With pressure relief valve

Double acting hand pump for single acting cylinder for fixing to wall

★★★★★
Includes
Rubber Bellows
and Relief Valve
as standard

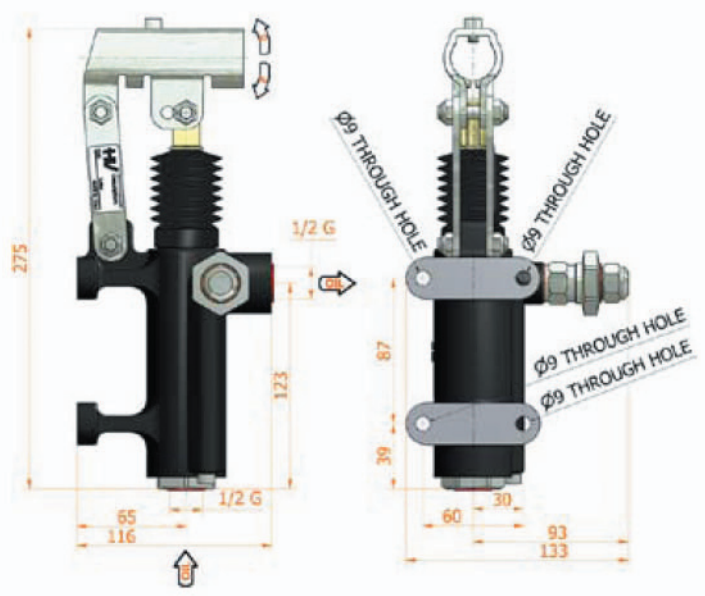
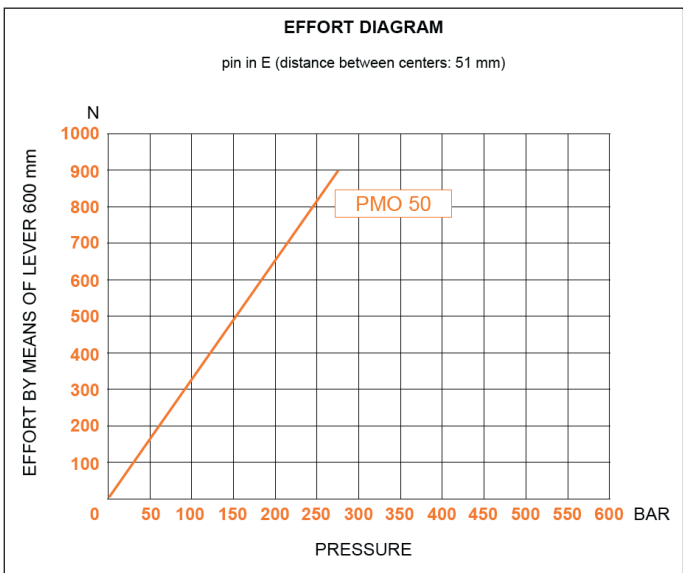


SEE
PAGE 329
FOR LEVERS

- SPECIFICATIONS**
- Piston treated with Niploy
 - Lever connection: Ø 27
 - Standard colour: Black
 - Pressure relief valve standard setting: 100 bar

RELIEF VALVE ADJUSTMENT

Unscrew dome cover and adjust screw inwards to increase pressure setting. Factory set at 100 bar.



DISPLACEMENT cm ³	D °	E °	ACTUAL DISPLACEMENT cm ³	PRESSURE BAR		MASS KG	CODE WITH BELLOWS	PRICE
				WORK P.	MAX			
50	38	37	43.825	220	280	3,400	6077.0037	£214.19

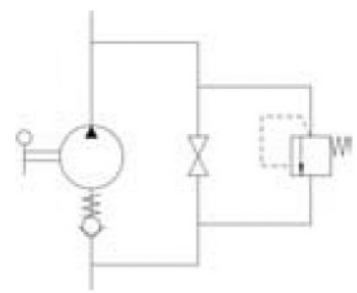
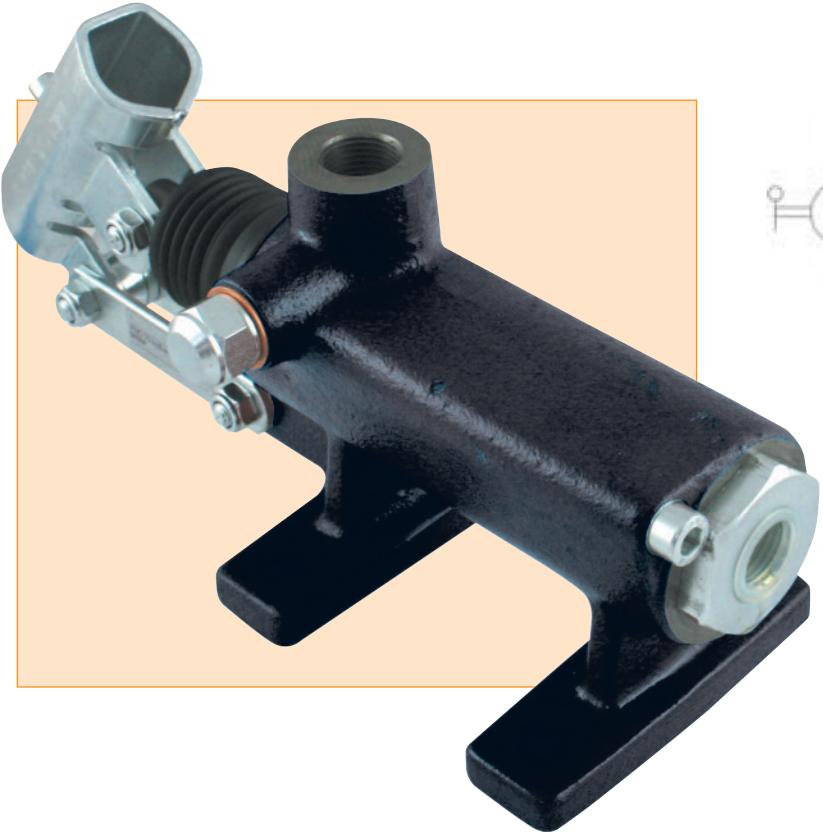
PMO 70 byB-s

With release nut.

With pressure relief valve

Double acting hand pump for single acting cylinder for fixing to wall

★★★★★
Includes
Rubber Bellows
and Relief Valve
as standard

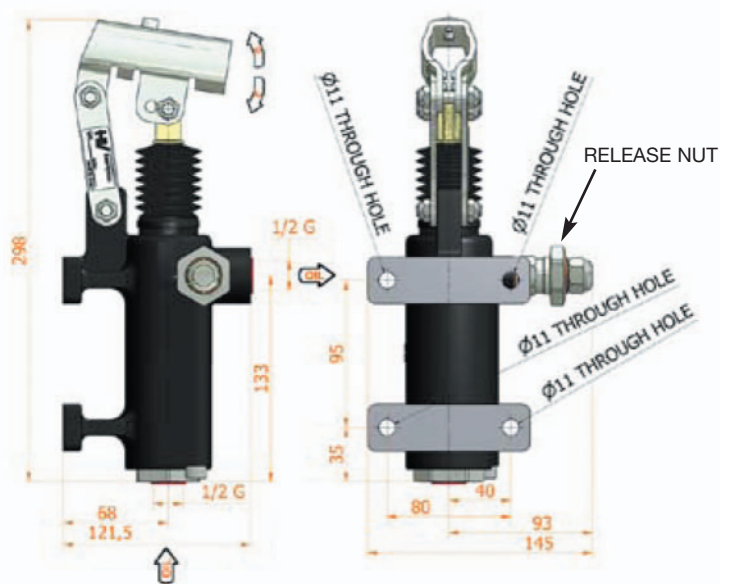
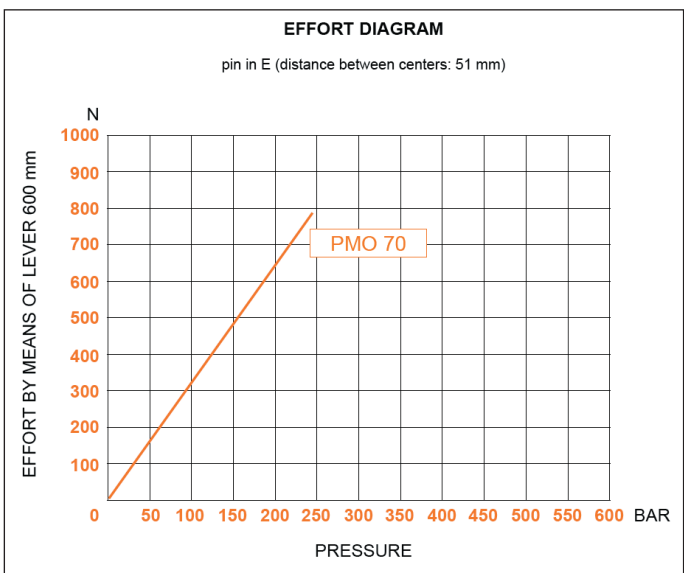


SEE
PAGE 329
FOR LEVERS

- SPECIFICATIONS**
- Piston treated with Niploy
 - Lever connection: Ø 27
 - Standard colour: Black
 - Pressure relief valve standard setting: 100 bar

RELIEF VALVE ADJUSTMENT

Unscrew dome cover and adjust screw inwards to increase pressure setting. Factory set at 100 bar.



DISPLACEMENT cm ³	D °	E °	ACTUAL DISPLACEMENT cm ³	PRESSURE BAR		MASS KG	CODE WITH BELLOWS	PRICE
				WORK P.	MAX			
70	45	40	70.233	180	230	5.100	6079.0037	£299.16

PM 6-12-25-45 byB-s

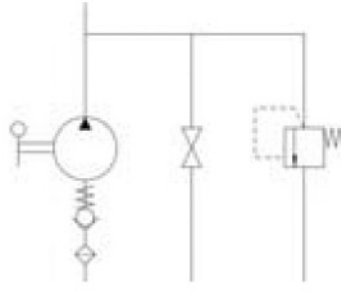


With release hand knob

With pressure relief valve

Double acting hand pump for single acting cylinder for fixing to tank

★★★★★
Includes
Rubber Bellows
and Relief Valve
as standard

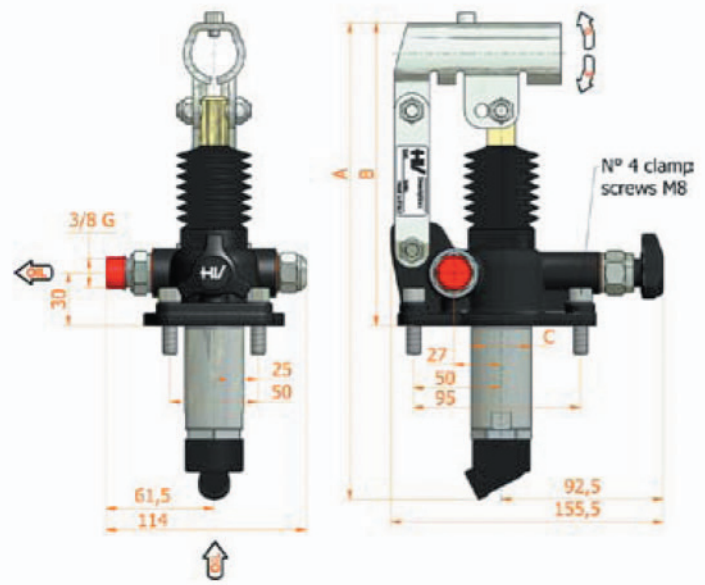
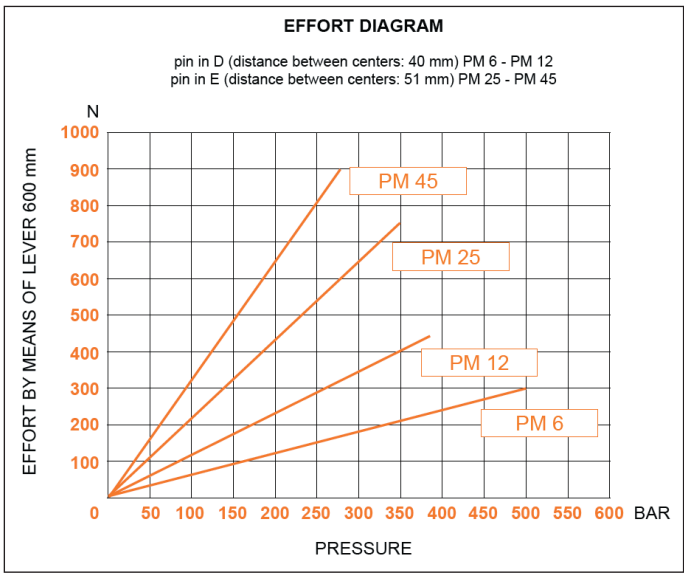


SEE
PAGE 329
FOR LEVERS

- SPECIFICATIONS**
- Piston treated with Niploy
 - Lever connection: Ø 27
 - Standard colour: Black
 - Mounting kit and seals included
 - Pressure relief valve standard setting: 100 bar

RELIEF VALVE ADJUSTMENT

Unscrew dome cover and adjust screw inwards to increase pressure setting. Factory set at 100 bar.



DISPLACEMENT cm ³	A mm	B mm	C mm	D °	E °	ACTUAL DISPLACEMENT cm ³	PRESSURE BAR		MASS KG	CODE WITH BELLOWS	PRICE
							WORK P.	MAX			
6	253	166	34	26	31	6.970	450	500	2.900	6049.0117	£156.55
12	253	166	34	26	31	12.095	320	380	2.900	6050.0117	£156.55
25	273	172	34	30	30	25.280	280	350	2.950	6051.0117	£160.37
45	283	172	40	45	33	44.532	220	280	3.00	6052.0117	£162.91

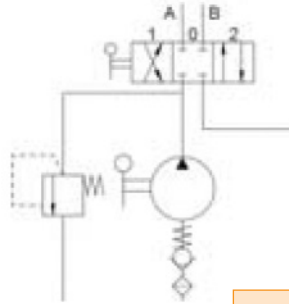
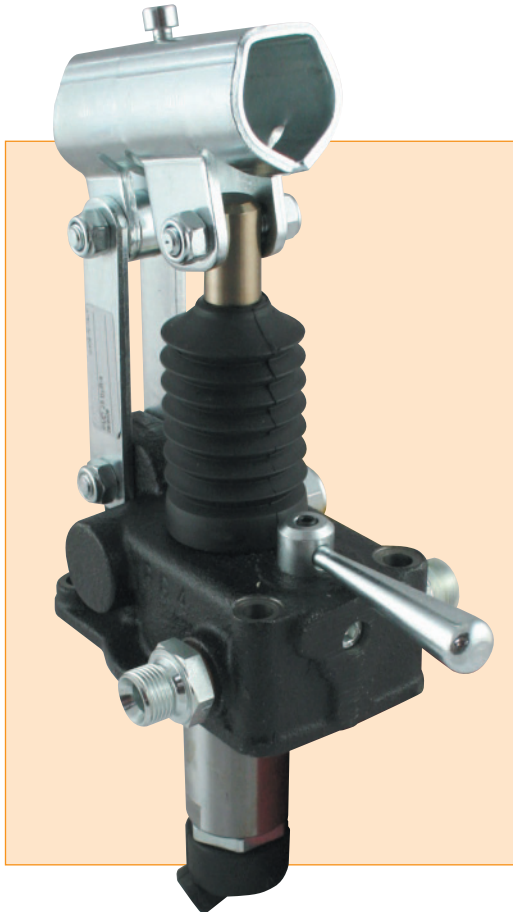
PMD 6-12-25-45 byB-s

With 4/3 flow divider closed centre

With pressure relief valve

Double acting hand pump for a double acting cylinder for fixing to tank

★★★★★
Includes
Rubber Bellows
and Relief Valve
as standard

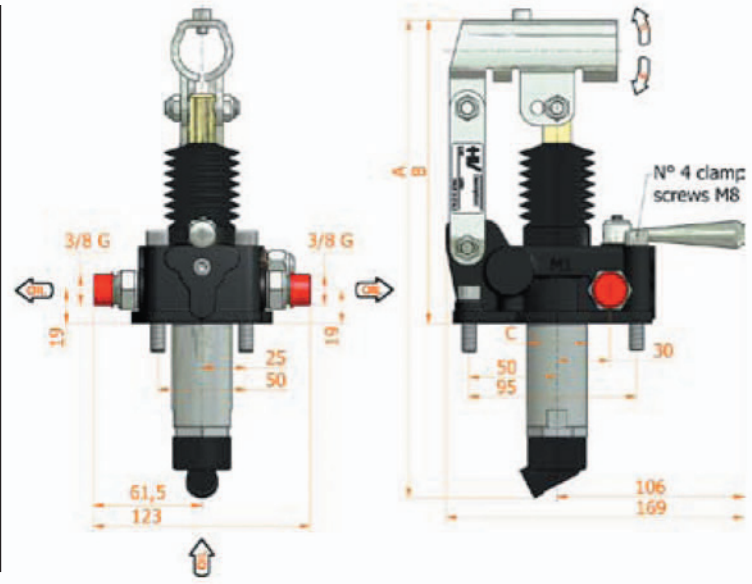
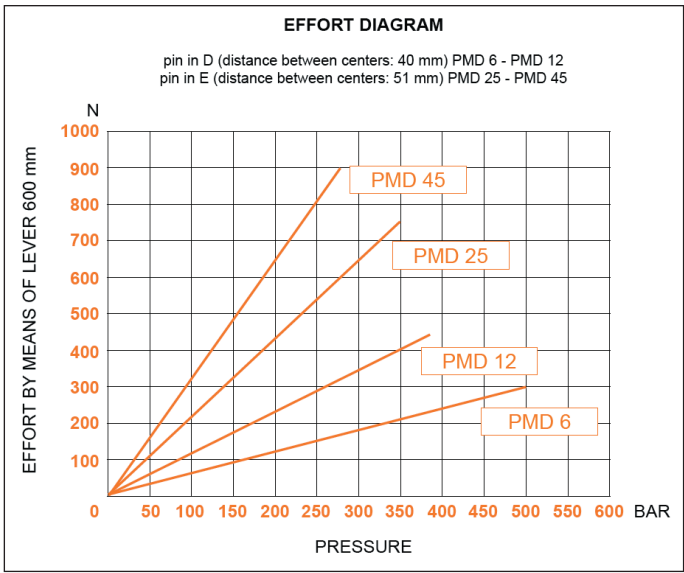


SEE
PAGE 329
FOR LEVERS

- SPECIFICATIONS**
- Piston treated with Niploy
 - Lever connection: Ø 27
 - Standard colour: Black
 - Mounting kit and seals included
 - Pressure relief valve standard setting: 100 bar

RELIEF VALVE ADJUSTMENT

Unscrew dome cover and adjust screw inwards to increase pressure setting. Factory set at 100 bar.



DISPLACEMENT cm ³	A mm	B mm	C mm	D °	E °	ACTUAL DISPLACEMENT cm ³	PRESSURE BAR		MASS KG	CODE WITH BELLOWS	PRICE
							WORK P.	MAX			
6	253	166	34	26	31	6.970	450	500	3.400	6054.0046	£179.46
12	253	166	34	26	31	12.095	320	380	3.400	6055.0046	£179.46
25	273	172	34	30	30	25.280	280	350	3.450	6056.0046	£179.46
45	283	172	40	45	33	44.532	220	280	3.500	6057.0046	£184.56

PMDVB 6-12-25-45 byAB-s

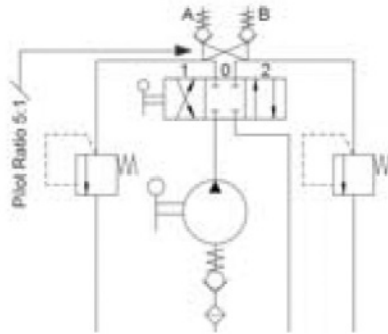
With 4/3 flow divider

With dual pilot check valve

With brakes - with pressure relief valve

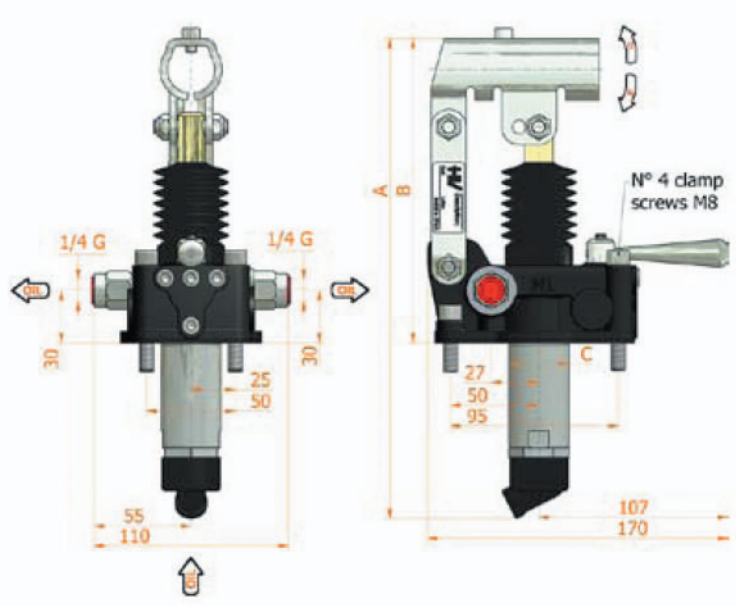
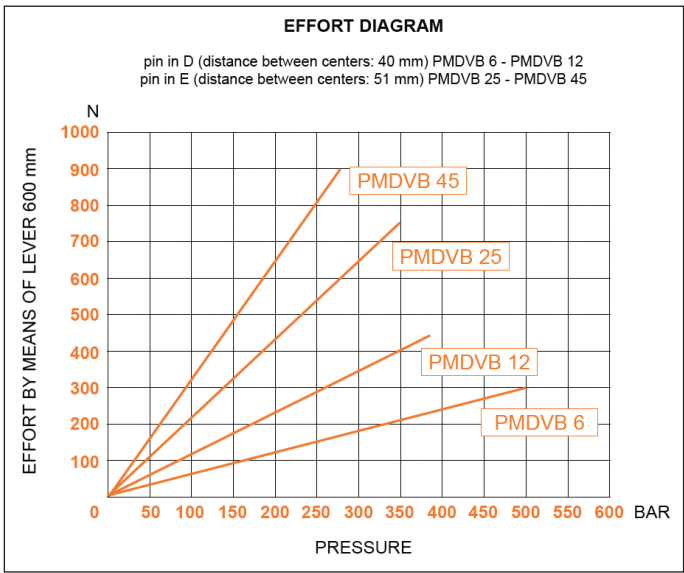
Double acting hand pump for a double acting cylinder for fixing to tank

★★★★★
Includes
Rubber Bellows
and Relief Valve
as standard



SEE
PAGE 329
FOR LEVERS

- SPECIFICATIONS**
- Piston treated with Niploy
 - Lever connection: Ø 27
 - Standard colour: Black
 - Mounting kit and seals included
 - With hydraulic brakes to operate even with pressure less than 50 bar
 - Pressure relief valve standard setting: 100 bar

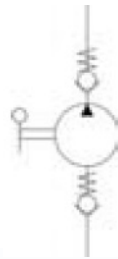


DISPLACEMENT cm ³	A mm	B mm	C mm	D °	E °	ACTUAL DISPLACEMENT cm ³	PRESSURE BAR		MASS KG	CODE WITH BELLOWS	PRICE
							WORK P.	MAX			
6	253	166	34	26	31	6.970	450	500	3.400	6059.0105	£238.00
12	253	166	34	26	31	12.095	320	380	3.400	6060.0105	£238.00
25	273	172	34	30	30	25.280	280	350	3.450	6061.0105	£238.00
45	283	172	40	45	33	44.532	220	280	3.500	6062.0105	£252.00

PMP 25 e

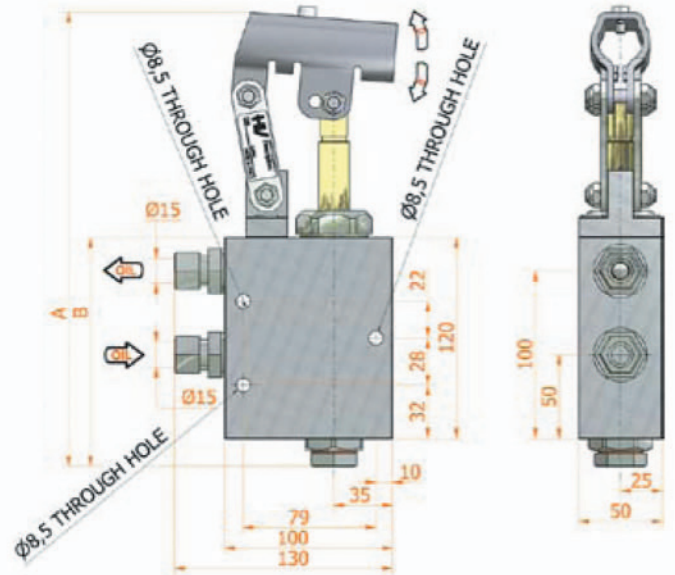
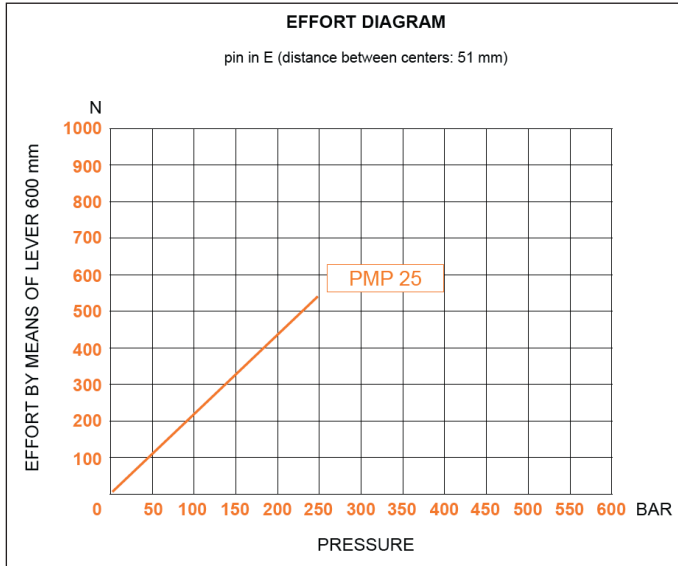


Without release hand knob
Single acting hand pump for a single acting cylinder



SPECIFICATIONS

- Piston treated with Niploy 30 micron to provide a higher resistance to salt spray corrosion
- Lever connection: $\varnothing 27$
- Support lever in stainless steel
- Aluminium anticorodal body

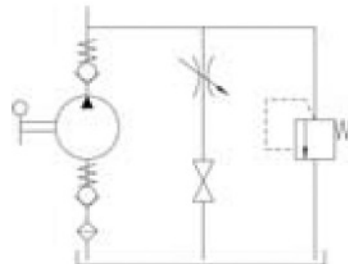


DISPLACEMENT cm ³	A mm	B mm	D °	E °	ACTUAL DISPLACEMENT cm ³	MAX PRESSURE BAR	MASS KG	CODE WITH BELLOWS	PRICE
25	270	136	26	29	24.285	280	3.00	6075.0001	£184.09

PPSE 15 byB

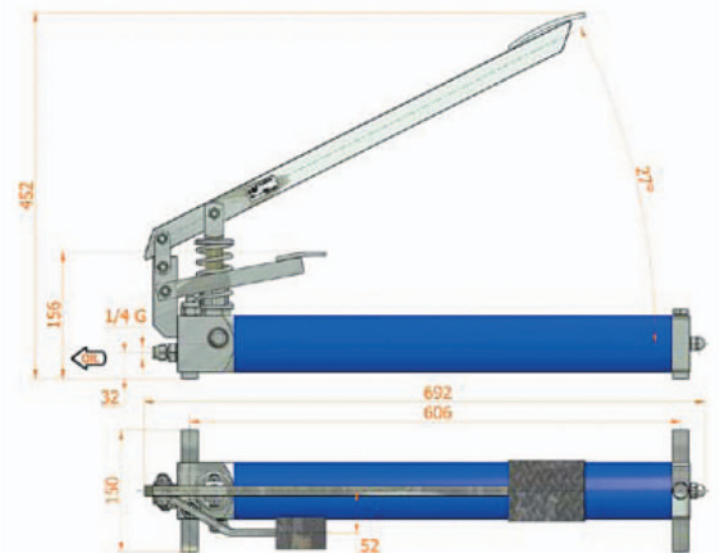
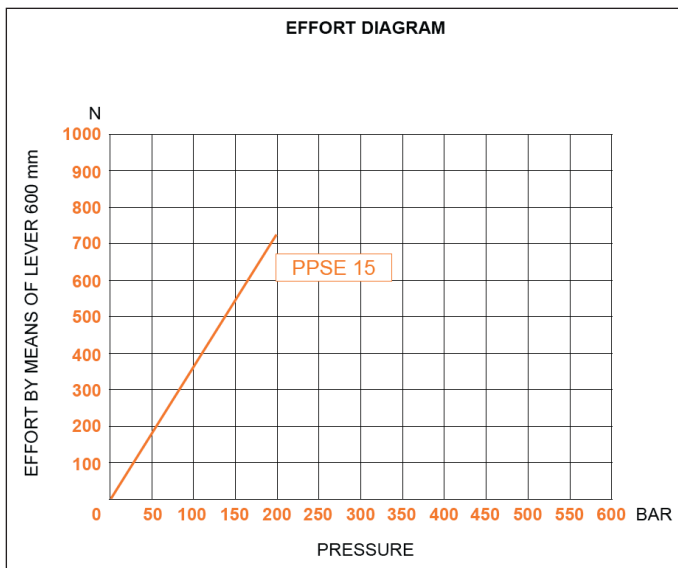


With release lever
With pressure relief valve
Single acting pump for a single acting cylinder
With cylindrical tank



SPECIFICATIONS

- Piston treated with Niploy
- Standard colour: Blue
- Pressure relief valve standard setting: 200 bar



DISPLACEMENT cm ³	ACTUAL DISPLACEMENT cm ³	PRESSURE BAR		MASS KG	CODE WITH BELLOWS	PRICE
		WORK P.	MAX			
15	14.130	150	230	10.000	6090.0001	£334.74

STRAIGHT LEVERS FOR HAND PUMPS



Straight lever
White zincate



SPECIFICATIONS

- Hand grip colour: Black
- Standard lever Ø 27 x 600

LEVER	OD OF LEVER mm	LENGTH OF LEVER mm	WEIGHT KG	LEVER FOR HAND PUMP	CODE	PRICE
L 20x500 zb-d	20	500	0.40	PM PMD PMDVB PMO PMP PMSE 20-30-40 PM2V 5-80	6800.0000	£13.36
L 207x330 zb-d	27	330	0.50	PM PMD PMDVB PMO PMP PMSE 20-30-40 PM2V 5-80	6800.0005	£13.90
L 27x400 zb-d	27	400	0.60	PM PMD PMDVB PMO PMP PMSE 20-30-40 PM2V 5-80	6800.0007	£13.90
L 27x600 zb-d	27	600	0.90	PM PMD PMDVB PMO PMP PMSE 20-30-40 PM2V 5-80	6800.0009	£13.90
L 27x850 zb-d	27	850	1.20	PM PMD PMDVB PMO PMP PMSE 20-30-40 PM2V 5-80	6800.0011	£19.33
L 207x1000 zb-d	27	1000	1.50	PM PMD PMDVB PMO PMP PMSE 20-30-40 PM2V 5-80	6800.0013	£23.18
L 27x1500 zb-d	27	1500	2.20	PM PMD PMDVB PMO PMP PMSE 20-30-40 PM2V 5-80	6800.0027	£37.53

FOLD LEVERS FOR HAND PUMPS



Fold lever
White zincate



SPECIFICATIONS

- Hand grip colour: Black

LEVER	A mm	B mm	C mm	S mm	L mm	WEIGHT KG	LEVER FOR HAND PUMP	CODE	PRICE
L 27x600 zb-d	140	100	31°	27	415	0.90	PM PMD PMDVB PMO PMP PMSE 20-30-40 PM2V 5-80	6800.0020	£23.16

STEEL OIL TANKS FOR HANDPUMPS

Painted steel oil tank for hand pumps



SPECIFICATIONS	
• Standard colour: Black	

CAPACITY LITRES	A mm	B mm	C mm	D mm	WEIGHT KG	SUCTION PIPE	CODE	PRICE
1	100	150	120	120	2.200	Ø10x85 mm	6500.0140	£53.20
2	100	150	185	120	3.000	Ø10x114 mm	6500.0141	£59.82
3	100	150	255	120	3.700	Ø10x180 mm	6500.0142	£63.38
5	175	175	200	195	5.300	Ø10x156 mm	6500.0143	£80.18
7	175	175	275	195	6.600	Ø10x215 mm	6500.0144	£87.82
10	175	175	380	195	8.300	Ø10x325 mm	6500.0145	£93.04
20	175	175	780	195	16.000	Ø10x720 mm	6500.0149	£259.19

CAPACITY Litres	A mm	B mm	C mm	D mm	MASS KG	CODE
1	100	150	120	120	2.2	6500.0140
2	100	150	185	120	3	6500.0141
2	150	150	105	170	2.4	6500.0151
3	100	150	255	120	3.7	6500.0142
3	150	150	156	170	3	6500.0152
5	150	150	245	170	3.1	6500.0153
5	175	175	200	195	5.3	6500.0143
7	150	150	340	170	5.3	6500.0154
7	175	175	275	195	6.6	6500.0144
10	150	150	485	170	7.1	6500.0155
10	175	175	380	195	8.3	6500.0145
13	175	175	485	195	10.8	6500.0147
15	175	175	600	195	12.1	6500.0148
20	175	175	780	195	16	6500.0149

