

# HYDRAULIC TWO STAGE HI-LO GEAR PUMPS

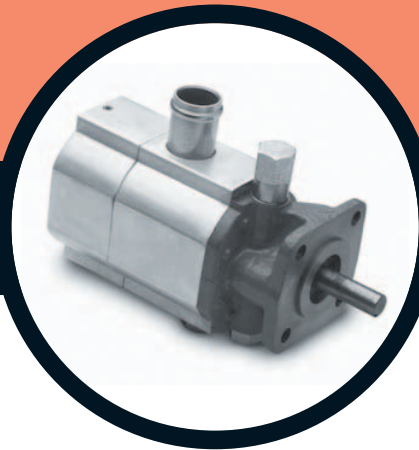
HYDRAULIC GEAR PUMP MODEL GP-CBN TECHNICAL DATA .....371  
HYDRAULIC GEAR PUMP MODEL GP-CBN ORDERING INFORMATION .....371  
HYDRAULIC GEAR PUMP MODEL GP-CBN INSTALLATION DATA .....372

**These 2 stage pumps can give you much faster cycle times and higher possible pressures with a small engine. Excellent for use on log splitters. 85% efficient.**

**Model GP-CBN is a HI/LO Hydraulic Gear Pump with 12 displacement combinations with maximum pressures of 950 psi for the low pressure pump and 3000 psi for the high pressure pump.**

**The change from LO to HI pressure is automatic with the LO side pressure pre set from 400 psi to 900 psi. The HI/LO section of the pump is all aluminum and the endplates are cast steel.**

**Applications for the HI/LO pump are log splitters, presses etc. where rapid movement of the cylinder at low pressure is required prior to automatically switching to the high pressure mode to meet load requirements.**



# FLOWFIT

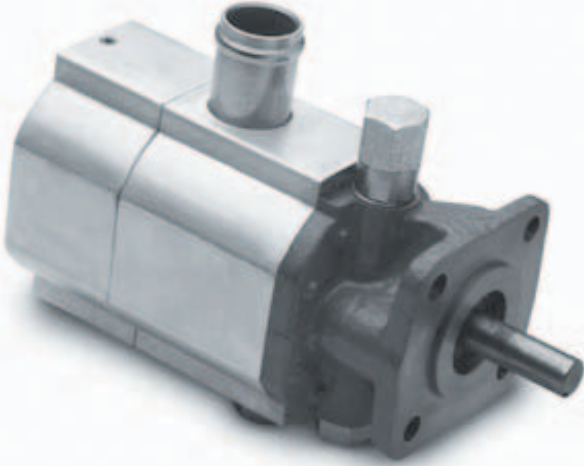
# HYDRAULIC GEAR PUMP MODEL GP-CBN TECHNICAL DATA



**Recommended working conditions:**

1. FILTRATION 25 micron or better
2. OIL VISCOSITY 6 to 200 cSt
3. INLET PRESSURE 12 to 32 psi abs.
4. OIL TEMPERATURE -25 to 80 degrees C (-12 to 175 degrees F).
5. AMBIENT -22 to 55 degrees C (-8 to 130 degrees F).

Flow rate in gpm  
 Displacement (cu.in/rev) X speed (rpm) / 231  
 Volumetric efficiency 93%  
 1 cu/in = 16.387 cc/rev



MODEL PREFIX GP	FLOW GPM AT 3600 RPM	DISPLACEMENT LO		DISPLACEMENT HIGH		PRESSURE PSI		SPEED RPM	LIST PRICE £
		CU IN/REV	CC/REV	CU IN/REV	CC/REV	LO	HI		
GPCBN080PC*	8	0.130	2.1	0.385	6.3	400/900	3000	3600	£217.51
GPCBN085PC	8.5	0.183	2.9	0.385	6.3	400/900	3000	3600	£217.51
GPCBN09PC	9	0.220	3.6	0.385	6.3	400/900	3000	3600	£217.51
GPCBN100PC	10	0.130	2.1	0.537	8.8	400/900	3000	3600	£217.51
GPCBN105PC	10.5	0.183	2.99	0.537	8.8	400/900	3000	3600	£217.51
GPCBN110PC*	11	0.220	3.6	0.537	8.8	400/900	3000	3600	£217.51
GPCBN115PC	11.5	0.256	4.2	0.537	8.8	400/900	3000	3600	£217.51
GPCBN120PC	12	0.130	2.1	0.665	10.9	400/900	3000	3600	£217.51
GPCBN125PC	12.5	0.183	2.9	0.665	10.9	400/900	3000	3600	£217.51
GPCBN130PC	13	0.220	3.6	0.665	10.9	400/900	3000	3600	£217.51
GPCBN135PC	13.5	0.256	4.2	0.665	10.9	400/900	3000	3600	£217.51
GPCBN160PC*	16	0.256	4.2	0.793	13	400/900	3000	3600	£217.51

\* UK STOCKED. ALL OTHERS ON REQUEST

# HYDRAULIC GEAR PUMP MODEL GP-CBN ORDERING INFORMATION

**GP - CBN - 105 - P - C**

**Gear Pump**

**HI/LO series**

**Nominal Flow GPM at 3600 rpm.**

**Drive Shaft P-1/2 in. Dia Straight**

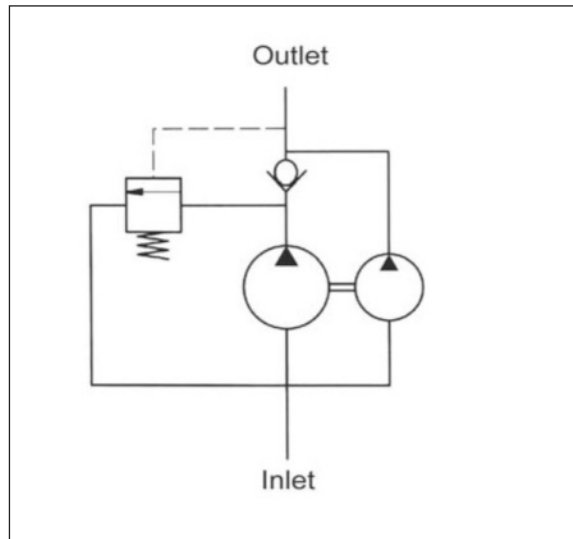
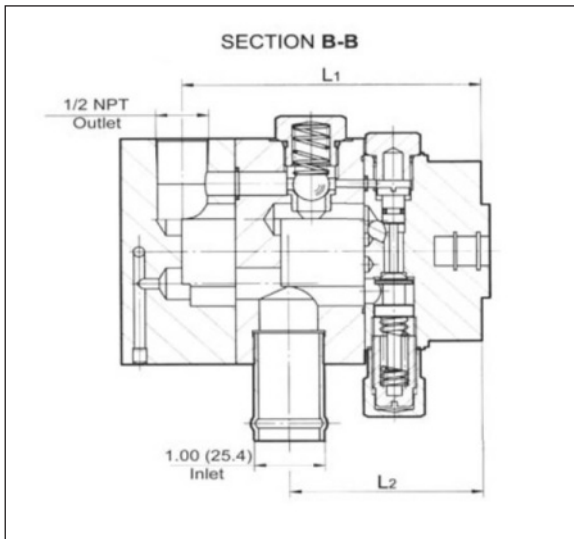
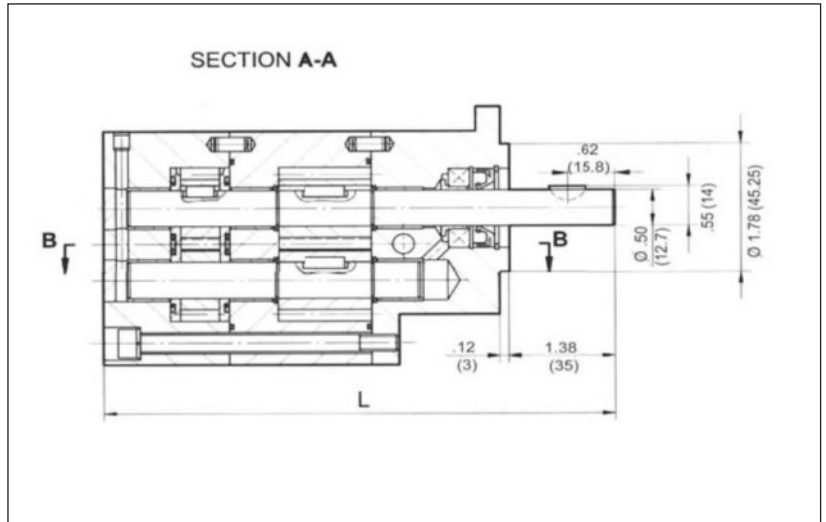
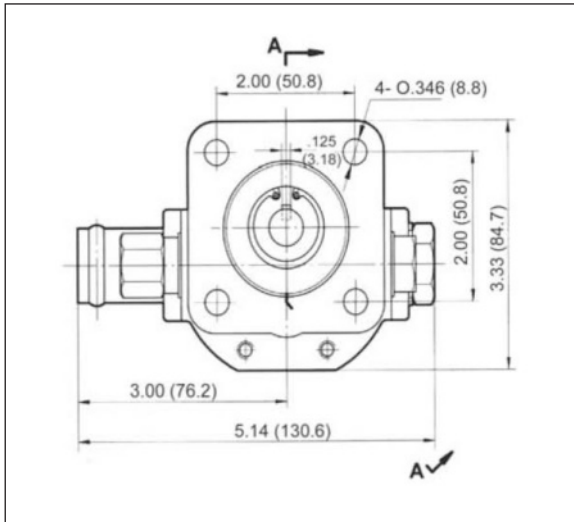
**Rotation Direction**

**080/085/090/100/105  
110/115/120/125/130  
135/160**

**C- Clockwise  
A-Counter  
Clockwise**

(viewed from drive shaft end)

# HYDRAULIC GEAR PUMP MODEL GP-CBN INSTALLATION DATA



Port Sizes  
Inlet - 1in. Pipe  
Outlet - 1/2 NPT

MODEL	DIMENSIONS		
	L INCHES (MM)	L1 INCHES (MM)	L2 INCHES (MM)
GPCBN080PC	6.09 (154.7)	3.71 (94.4)	2.42 (61.6)
GPCBN085PC	6.22 (158.2)	3.85 (97.9)	2.42 (61.6)
GPCBN090PC	6.29 (159.9)	3.92 (99.6)	2.42 (61.6)
GPCBN100PC	6.37 (162.7)	4.03 (102.4)	2.74 (69.6)
GPCBN105PC	6.54 (166.2)	4.16 (105.9)	2.74 (69.6)
GPCBN110PC	6.61 (167.9)	4.23 (107.6)	2.74 (69.6)

MODEL	DIMENSIONS		
	L INCHES (MM)	L1 INCHES (MM)	L2 INCHES (MM)
GPCBN115PC	6.70 (170.2)	4.32 (109.9)	2.74 (69.6)
GPCBN120PC	6.70 (170.2)	4.32 (109.9)	3.03 (77.1)
GPCBN125PC	6.83 (173.7)	4.46 (113.4)	3.03 (77.1)
GPCBN130PC	6.90 (175.4)	4.53 (115.1)	3.03 (77.1)
GPCBN135PC	6.99 (177.7)	4.62 (117.4)	3.03 (77.1)
GPCBN160PC	7.27 (184.7)	4.80 (122.1)	3.31 (84.1)