

BELL HOUSINGS AND DRIVE COUPLINGS • SECTION 8A

# BELL HOUSINGS AND DRIVE COUPLINGS FOR ELECTRIC MOTORS

FLOWFIT BELL HOUSINGS FOR ELECTRIC MOTORS.....418  
FLOWFIT DRIVE COUPLINGS FOR ELECTRIC MOTORS .....419



# FLOWFIT

# FLOWFIT BELL HOUSINGS



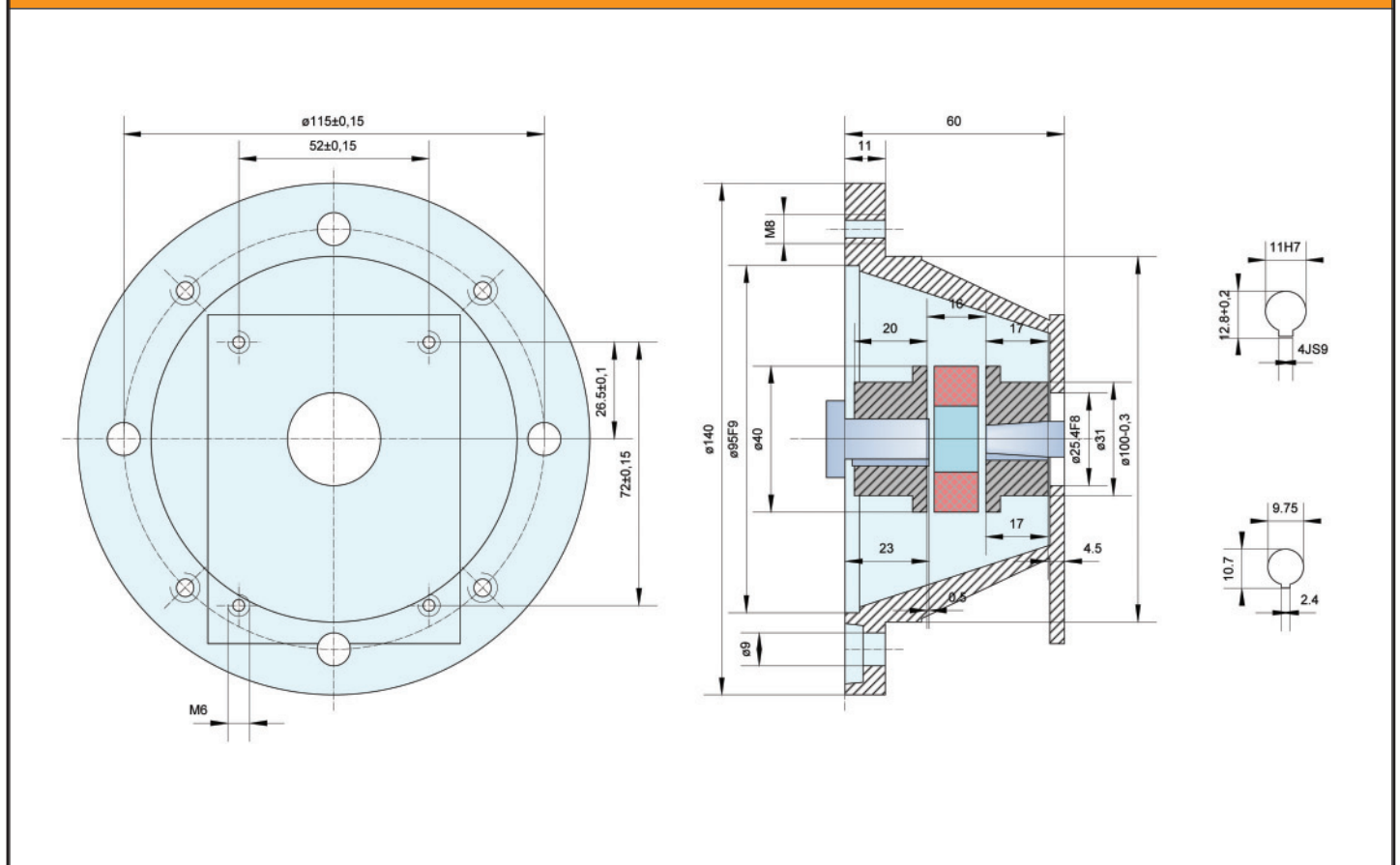
FOR USE WITH GALTECH AND BUCHER GEAR PUMPS AND ANY OTHER GEAR PUMP DESIGNS. PLEASE CHECK DIMENSIONS TO ENSURE THEY FIT YOUR GEAR PUMP.



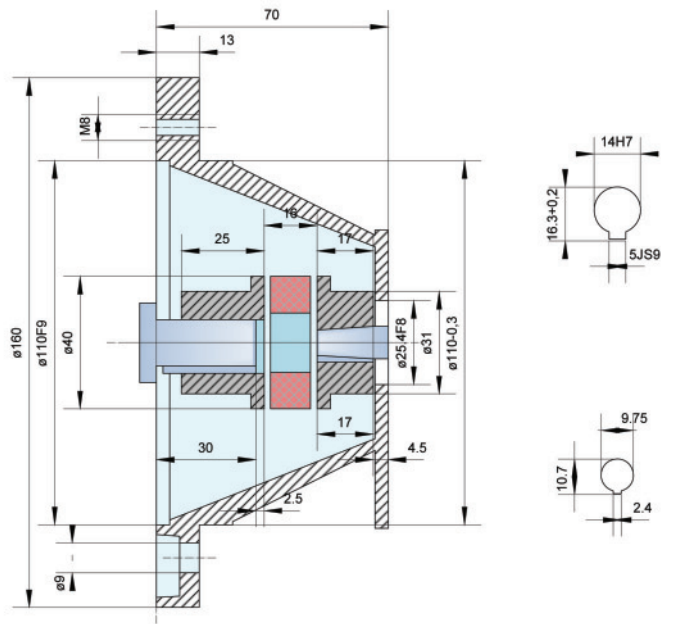
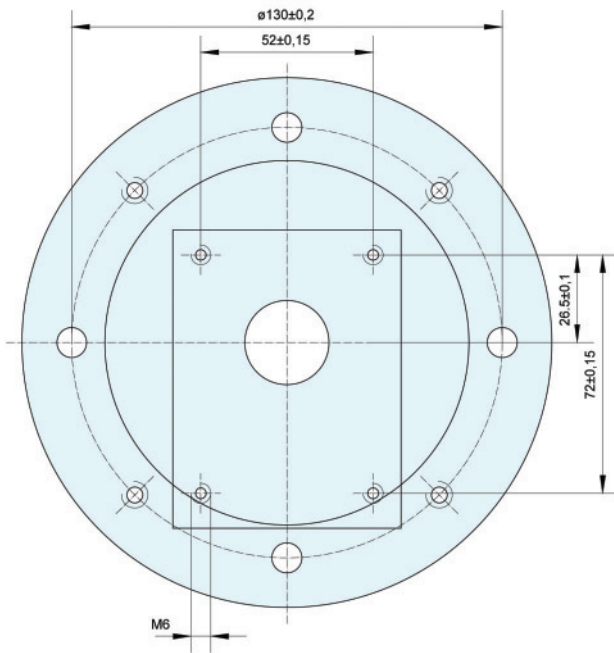
NEW PT NO	GEAR PUMP GROUP	ELECTRIC MOTOR SIZE B5 4 POLE KW RATING	MOTOR FRAME SIZE	DRAWING KIT NUMBER SEE BELOW	LIST PRICE
BH4057	GP1-1SPA-AP100	0.18KW	D63	1	£38.26
BH4061	GP1-1SPA-AP100	0.25-0.37KW	D71	2	£38.26
BH4116	GP1-1SPA-AP100	0.55-0.75KW	D80	3	£48.74
BH4115	GP1-1SPA-AP100	1.1-1.5KW	D90	4	£48.74
BH4174	GP1-1SPA-AP100	2.2-4KW	D100/D112	5	£66.55
BH4104	GP2-2SPA-AP200	0.25KW	D71	6	£120.01
BH4141	GP2-2SPA-AP200	0.55-0.75KW	D80	7	£51.87
BH4141	GP2-2SPA-AP200	1.1-1.5KW	D90	8	£51.87
BH4177	GP2-2SPA-AP200	2.2-4KW	D100/D112	9	£66.55
BH4202	GP2-2SPA-AP200	5.5-7.5KW	D132	10	£107.43
BH4212	GP2-2SPA-AP200	11-15KW	D160	11	£123.16
BH4212	GP2-2SPA-AP200	18.5-22KW	D180	12	£126.34
BH4239	GP2-2SPA-AP200	30KW	D200	13	£285.09
BH4148	GP3-3SPA-AP300	1.1-1.5KW	D90	14	£171.89
BH4184	GP3-3SPA-AP300	2.2-4KW	D100/D112	15	£69.70
BH4205	GP3-3SPA-AP300	5.5-7.5KW	D132	16	£107.43
BH4223	GP3-3SPA-AP300	11-15KW	D160	17	£165.08
BH4223	GP3-3SPA-AP300	18.5-22KW	D180	18	£165.08
BH4251	GP3-3SPA-AP300	30KW	D200	19	£285.09
BH4267	GP3-3SPA-AP300	37-45kw	D225	20	£434.99
BH4278	GP3-3SPA-AP300	55KW	D250	21	£649.86

GEAR PUMP GROUP	ELECTRIC MOTOR SIZE B5 4 POLE KW RATING	MOTOR FRAME SIZE	MOTOR HALF ONLY	LIST PRICE	PUMP HALF ONLY	PUMP KEYWAY WIDTH	LIST PRICE	SPIDER ONLY	LIST PRICE	DRAWING KIT NUMBER SEE BELOW
GP1-1SPA-AP100	0.18KW	D63	MH6038	£32.03	PH6090	2.4MM	£13.10	SP6000	£4.19	1
GP1-1SPA-AP100	0.25-0.37KW	D71	MH6017	£12.57	PH6090	2.4MM	£13.10	SP6000	£4.19	2
GP1-1SPA-AP100	0.55-0.75KW	D80	MH6021	£12.57	PH6090	2.4MM	£13.10	SP6000	£4.19	3
GP1-1SPA-AP100	1.1-1.5KW	D90	MH6024	£12.57	PH6090	2.4MM	£13.10	SP6000	£4.19	4
GP1-1SPA-AP100	2.2-4KW	D100/D112	MH6313	£22.51	PH6350	2.4MM	£19.38	SP6250	£5.24	5
GP2-2SPA-AP200	0.25KW	D71	MH6273	£19.91	PH6352	3.17MM	£19.38	SP6250	£5.24	6
GP2-2SPA-AP200	0.55-0.75KW	D80	MH6277	£19.91	PH6352	3.17MM	£19.38	SP6250	£5.24	7
GP2-2SPA-AP200	1.1-1.5KW	D90	MH6280	£19.91	PH6352	3.17MM	£19.38	SP6250	£5.24	8
GP2-2SPA-AP200	2.2-4KW	D100/D112	MH6313	£22.66	PH6352	3.17MM	£19.38	SP6250	£5.24	9
GP2-2SPA-AP200	5.5-7.5KW	D132	MH6540	£27.24	PH6570	3.17MM	£23.04	SP6500	£8.38	10
GP2-2SPA-AP200	11-15KW	D160	MH6781	£44.02	PH6840	3.17MM	£40.34	SP6750	£11.00	11
GP2-2SPA-AP200	18.5-22KW	D180	MH7141	£62.88	PH7170	3.17MM	£57.64	SP7000	£17.29	12
GP2-2SPA-AP200	30KW	D200	MH7162	£99.05	PH7170	3.17MM	£57.64	SP7000	£17.29	13
GP3-3SPA-AP300	1.1-1.5KW	D90	MH6312	£22.53	PH6354	4MM	£23.04	SP6250	£5.24	14
GP3-3SPA-AP300	2.2-4KW	D100/D112	MH6301	£19.91	PH6354	4MM	£23.04	SP6250	£5.24	15
GP3-3SPA-AP300	5.5-7.5KW	D132	MH6540	£27.32	PH6572	4MM	£23.04	SP6500	£8.38	16
GP3-3SPA-AP300	11-15KW	D160	MH6781	£44.02	PH6832	4MM	£40.34	SP6750	£11.00	17
GP3-3SPA-AP300	18.5-22KW	D180	MH7141	£62.88	PH7172	4MM	£57.64	SP7000	£17.29	18
GP3-3SPA-AP300	30KW	D200	MH7162	£99.05	PH7172	4MM	£57.64	SP7000	£17.29	19
GP3-3SPA-AP300	37-45KW	D225	MH7355	£157.23	PH7369	4MM	£123.16	SP7200	£23.59	20
GP3-3SPA-AP300	55KW	D250	MH7444	£193.38	PH7495	4MM	£157.23	SP7400	£41.81	21

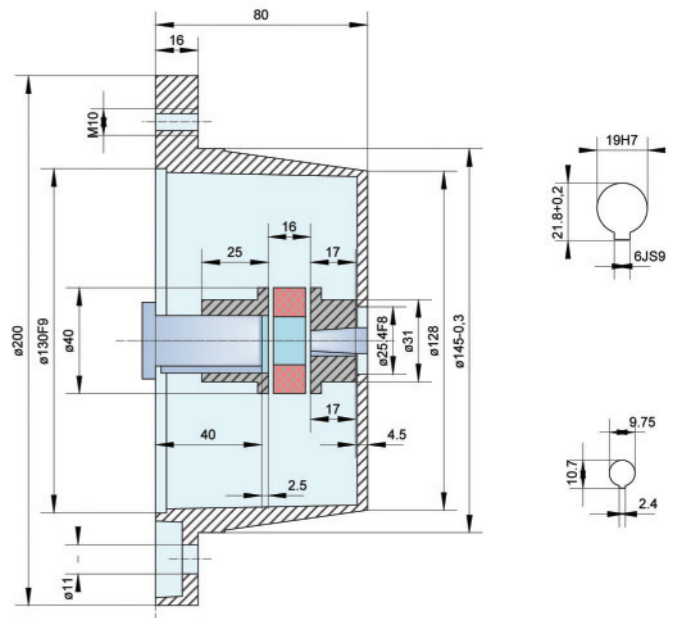
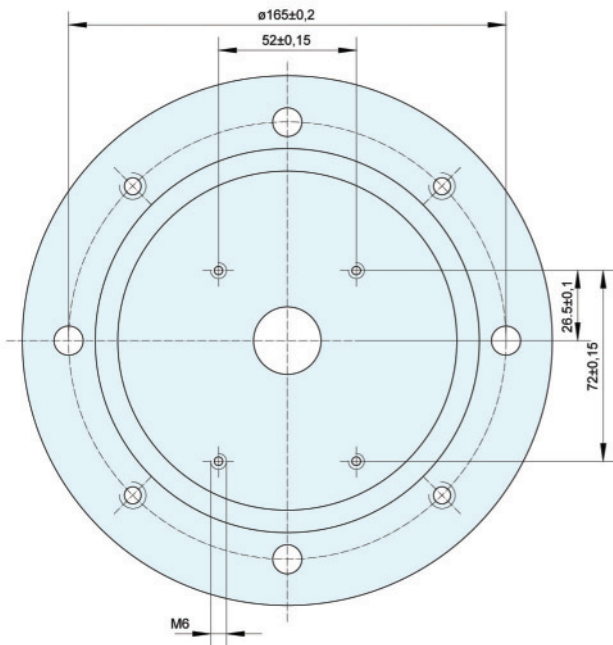
## DRAWING KIT NUMBER 1



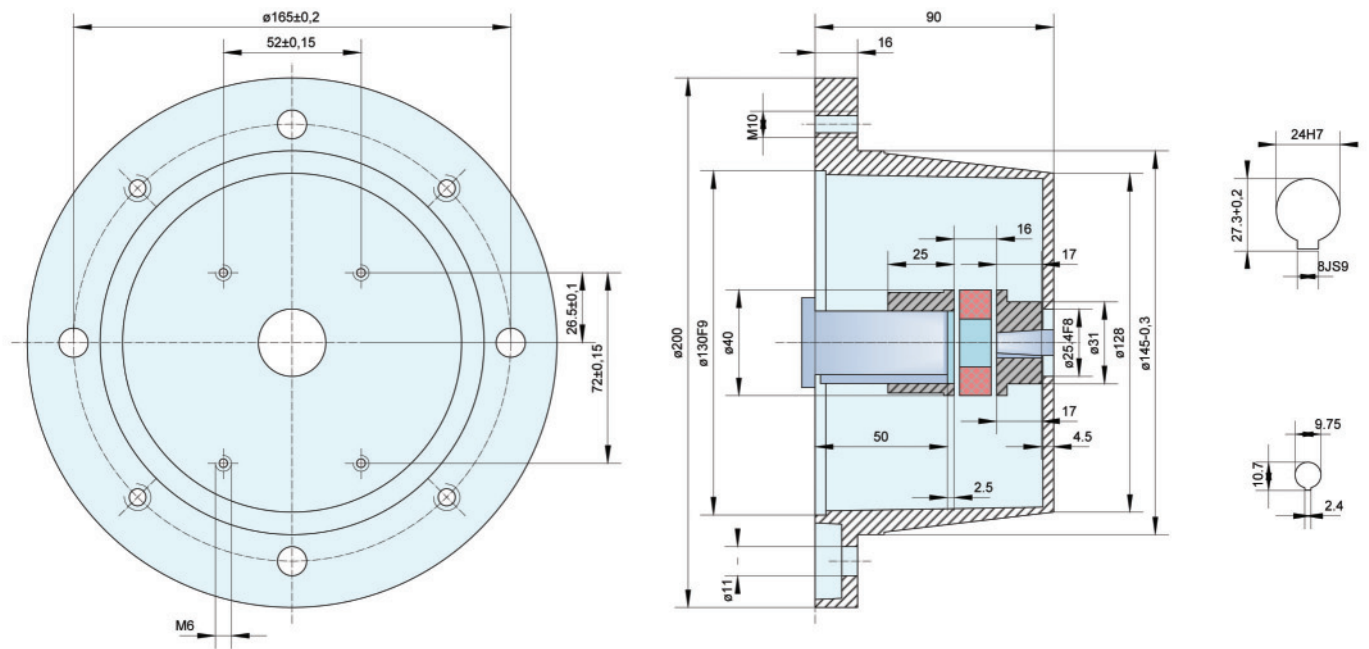
## DRAWING KIT NUMBER 2



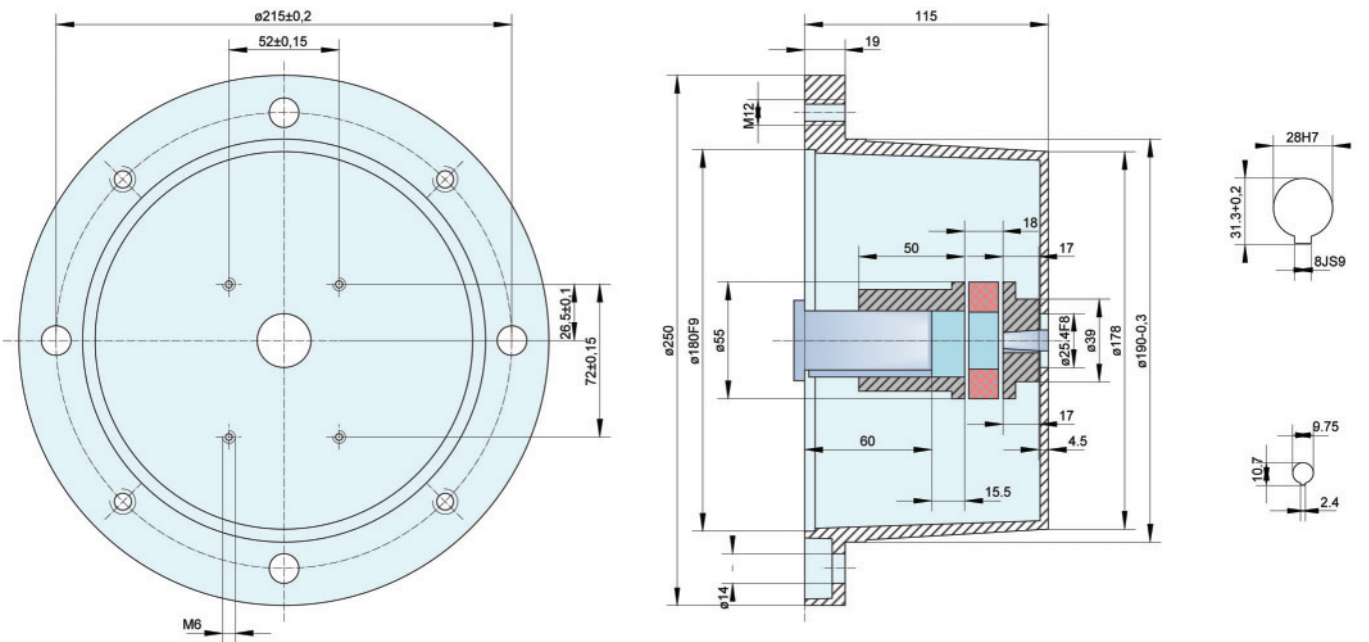
## DRAWING KIT NUMBER 3



## DRAWING KIT NUMBER 4

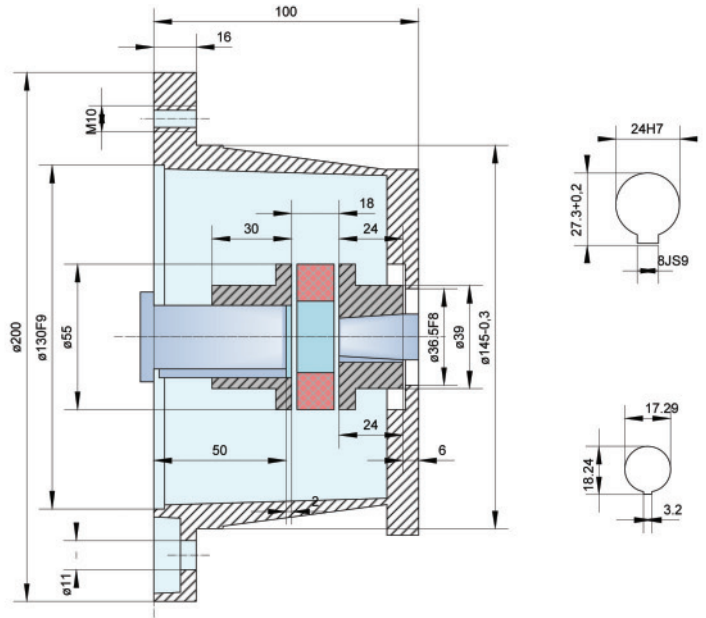
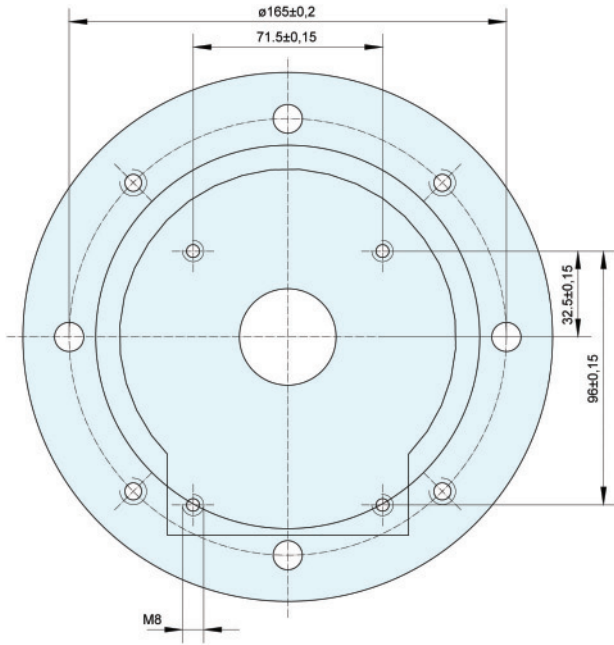


## DRAWING KIT NUMBER 5

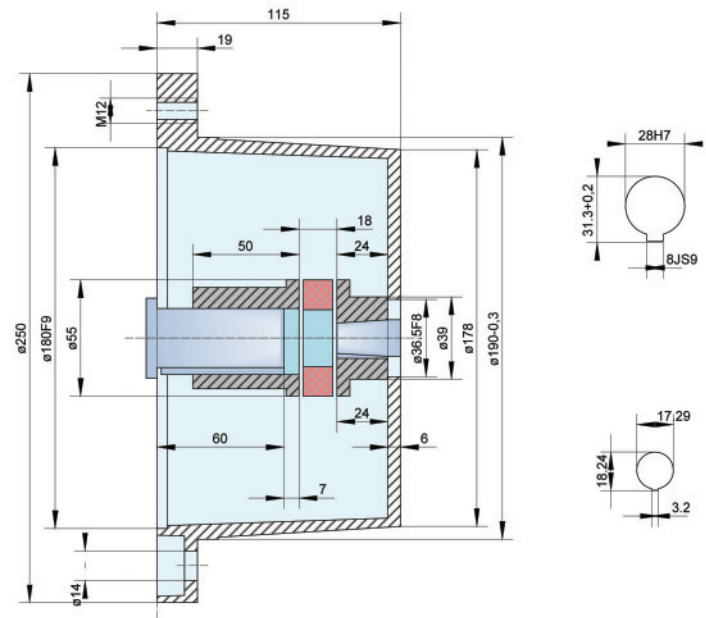
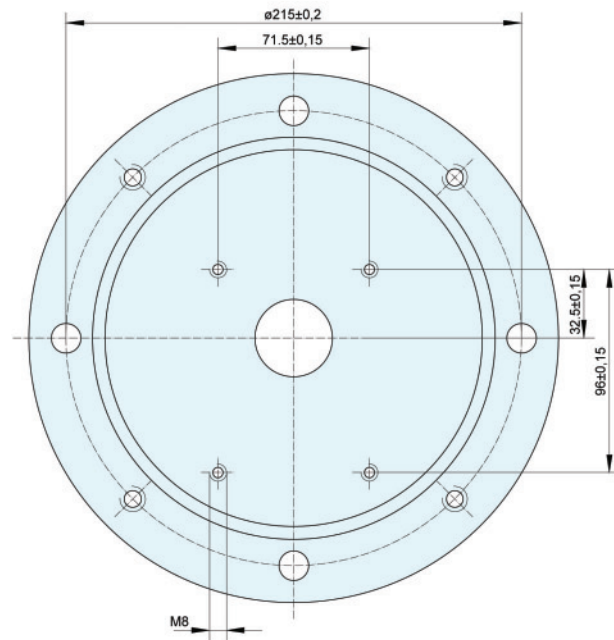




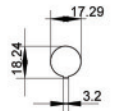
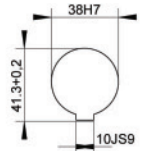
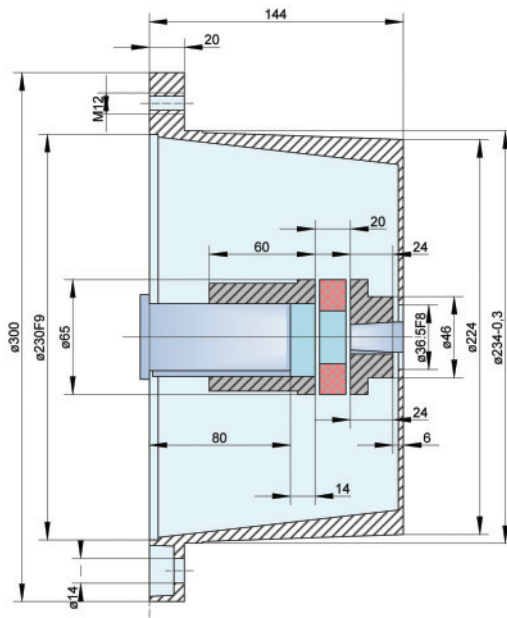
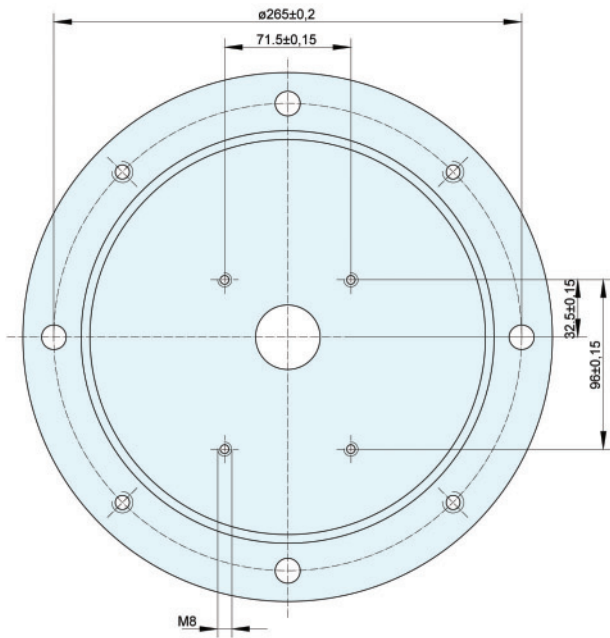
## DRAWING KIT NUMBER 8



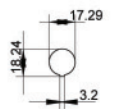
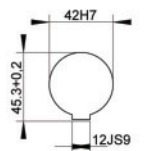
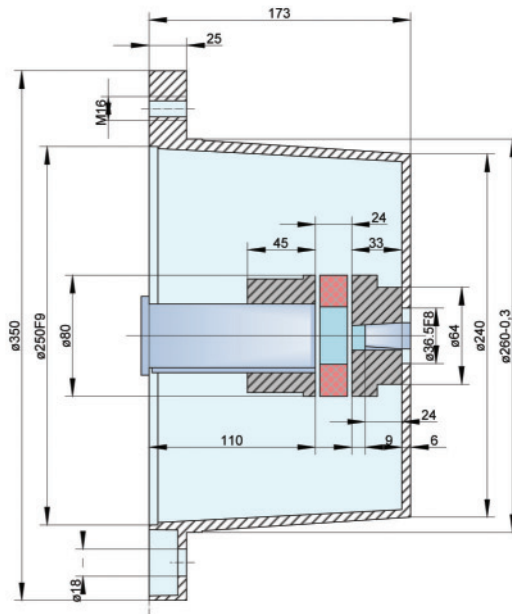
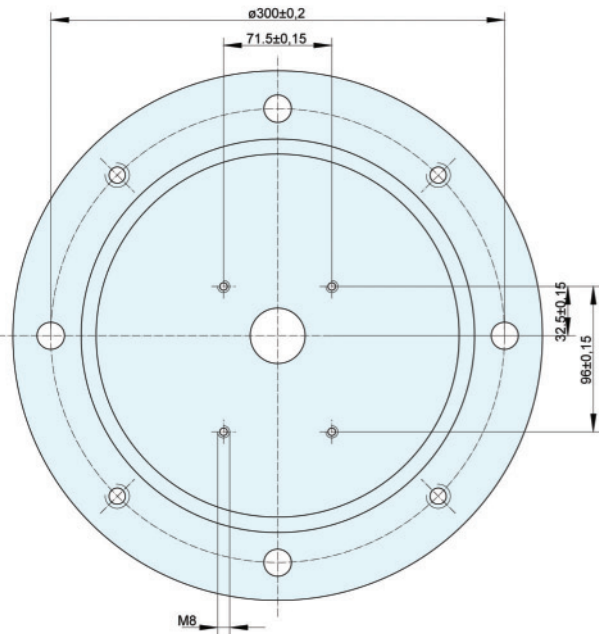
## DRAWING KIT NUMBER 9



## DRAWING KIT NUMBER 10

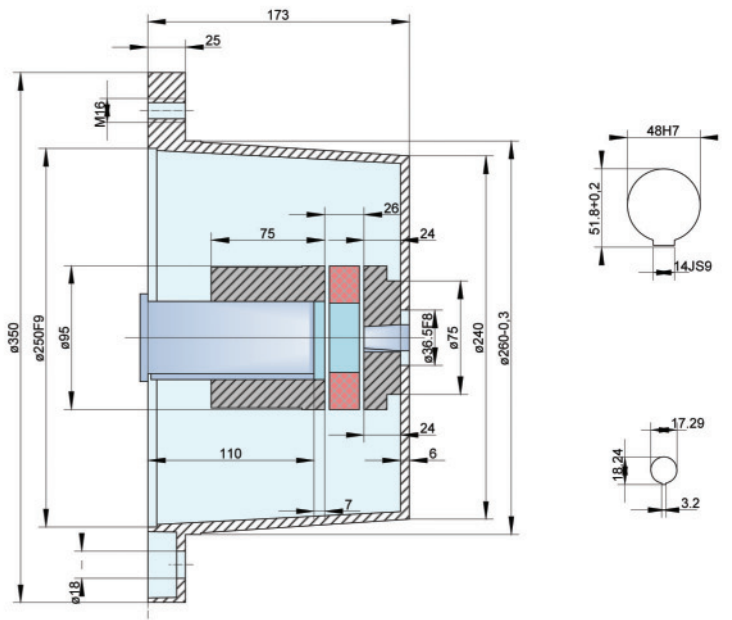
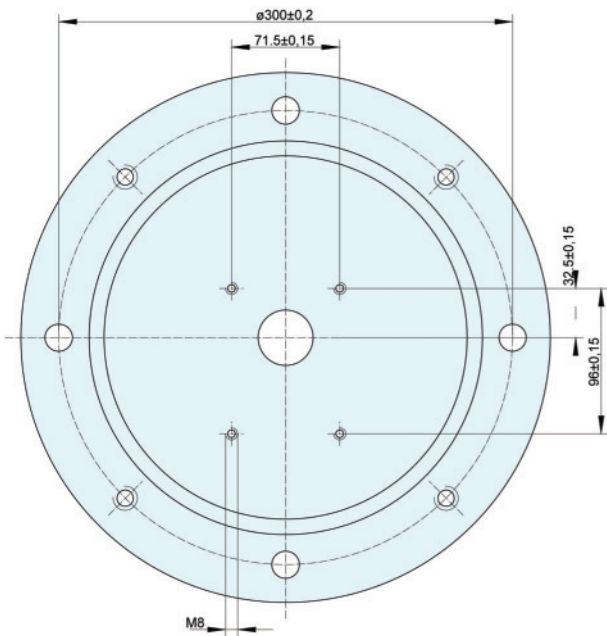


## DRAWING KIT NUMBER 11

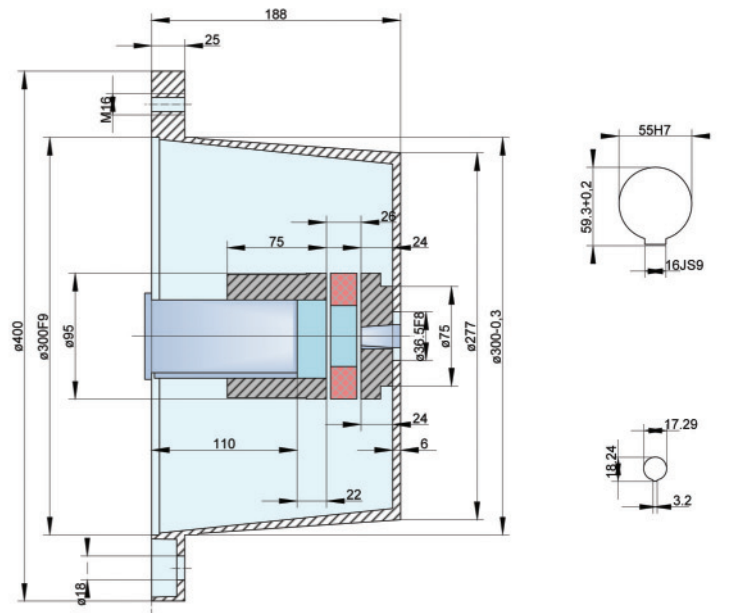
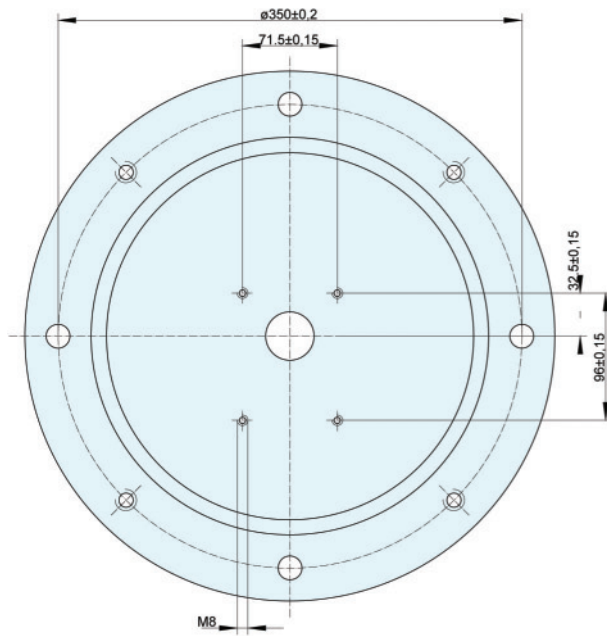




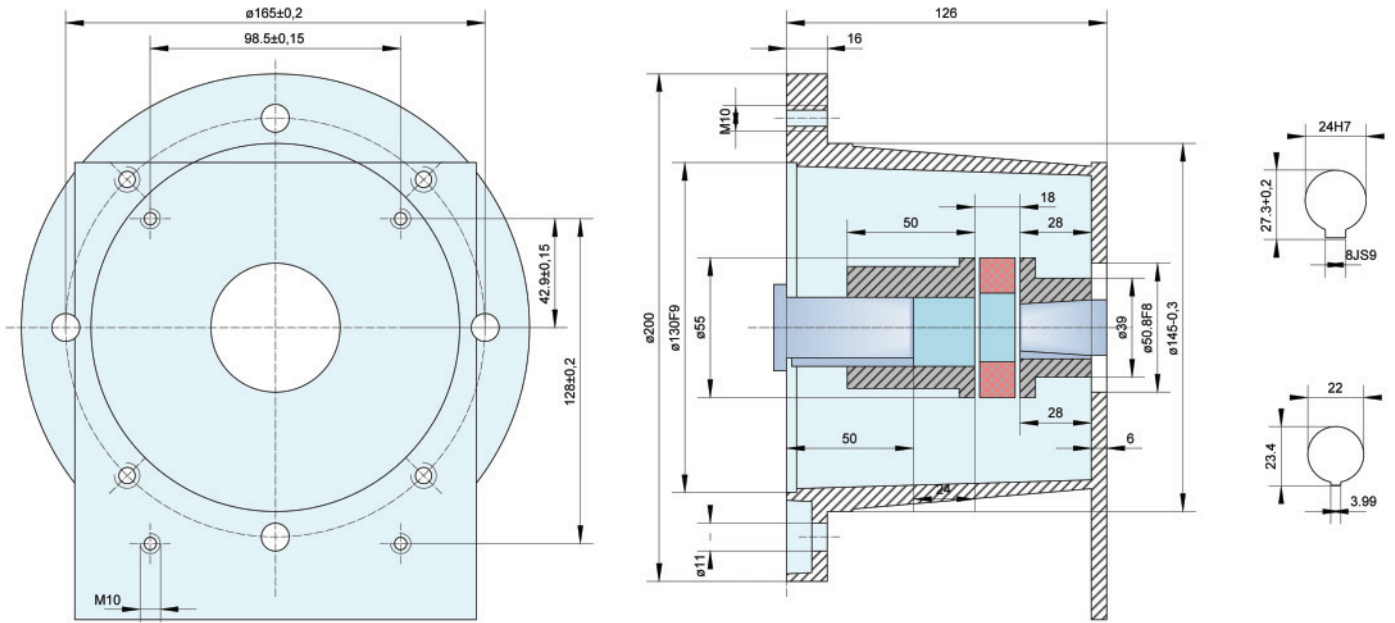
## DRAWING KIT NUMBER 12



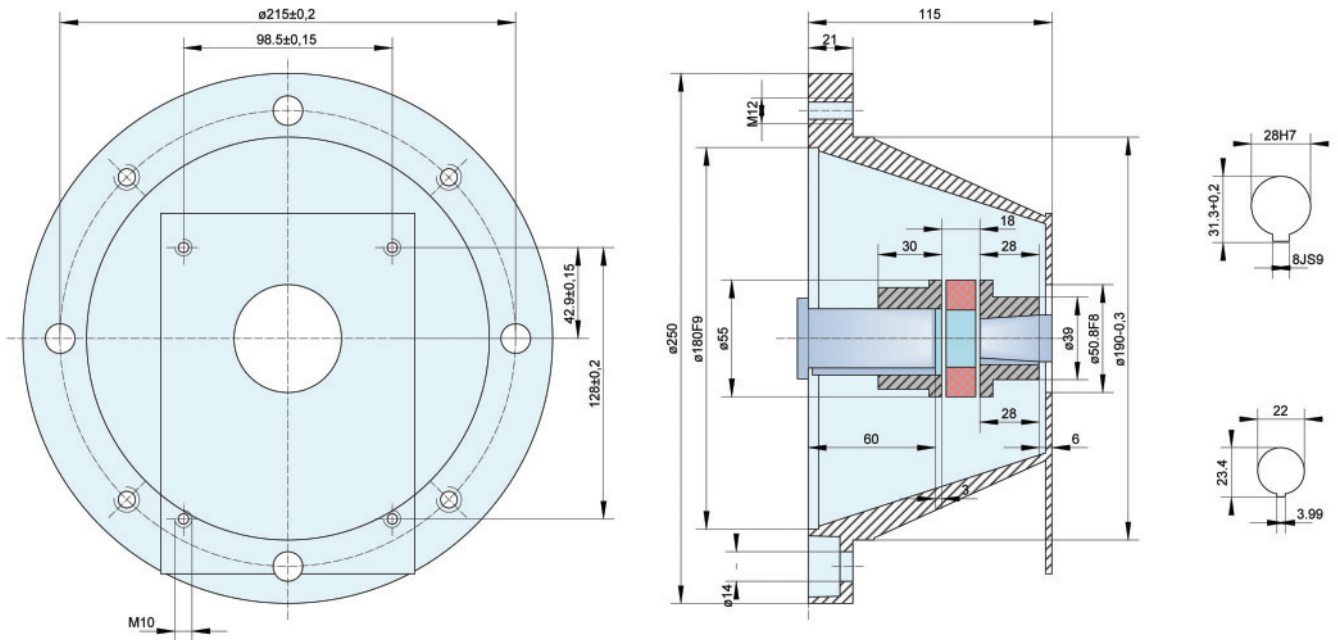
## DRAWING KIT NUMBER 13



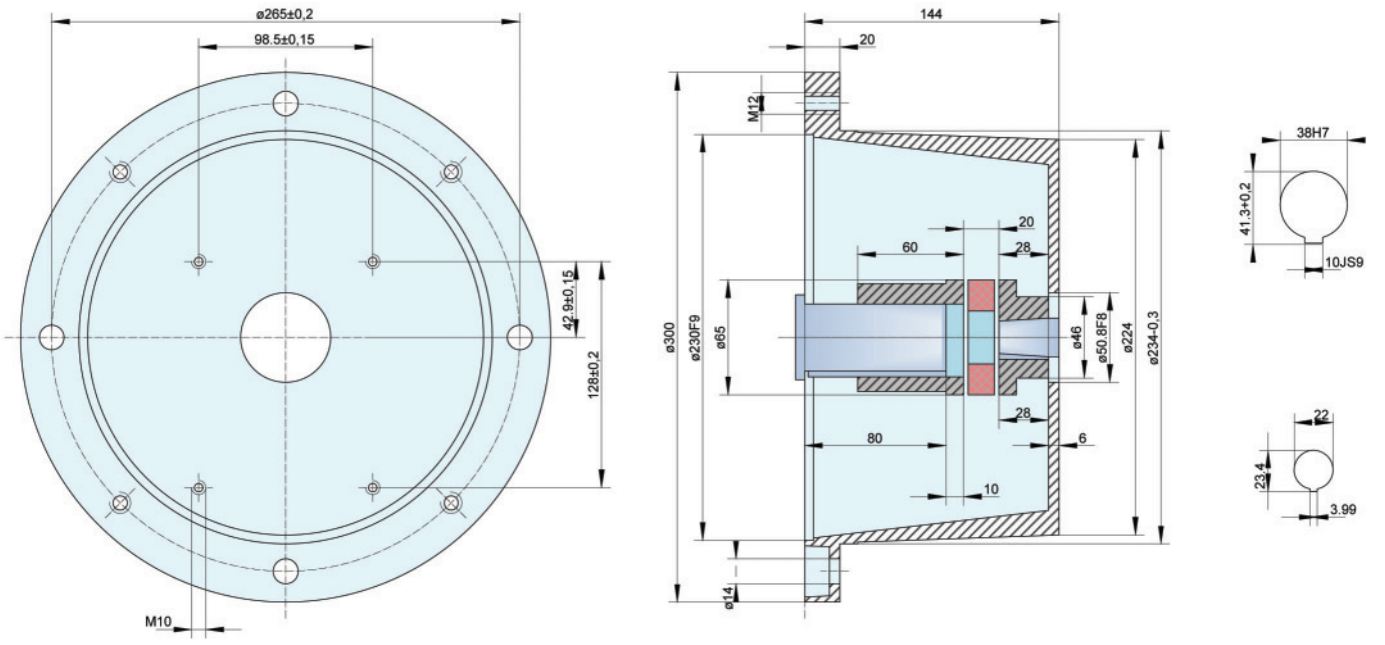
## DRAWING KIT NUMBER 14



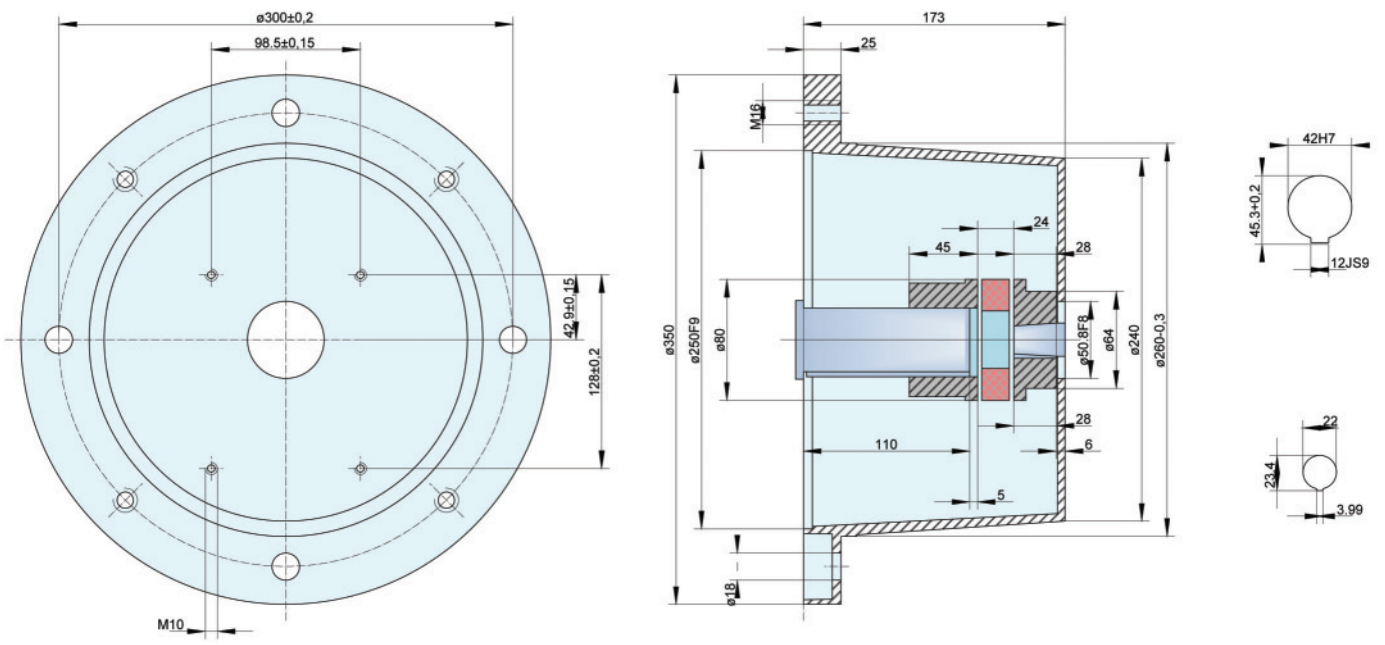
## DRAWING KIT NUMBER 15



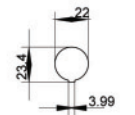
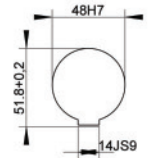
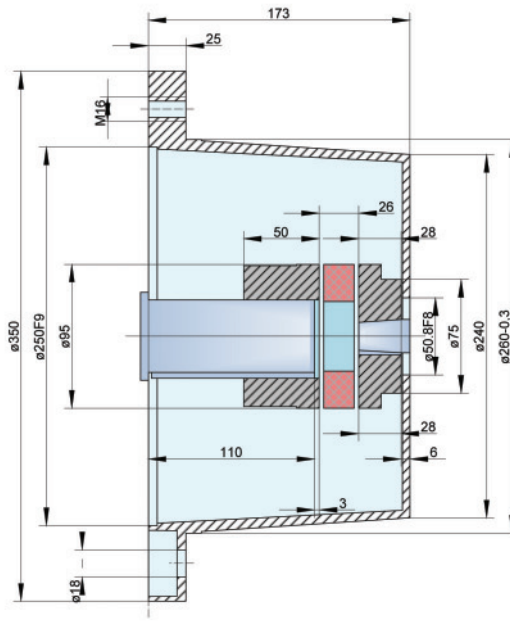
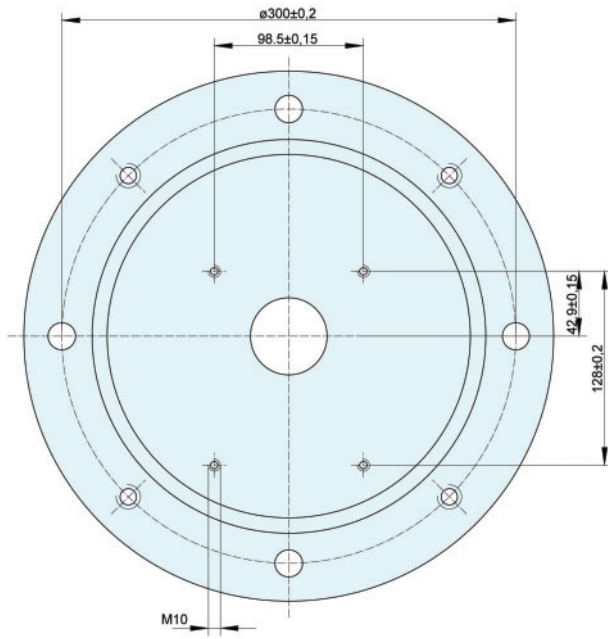
# DRAWING KIT NUMBER 16



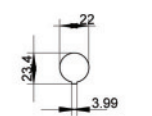
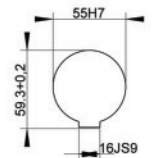
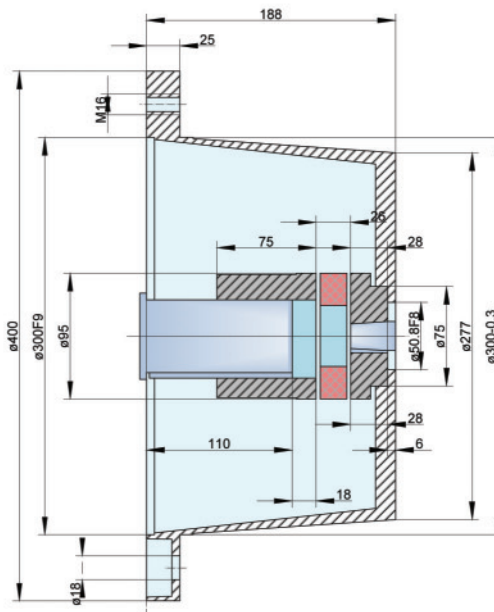
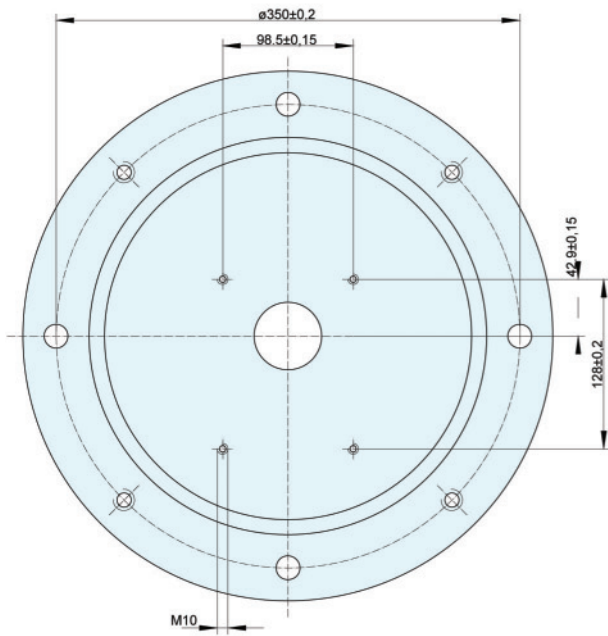
# DRAWING KIT NUMBER 17



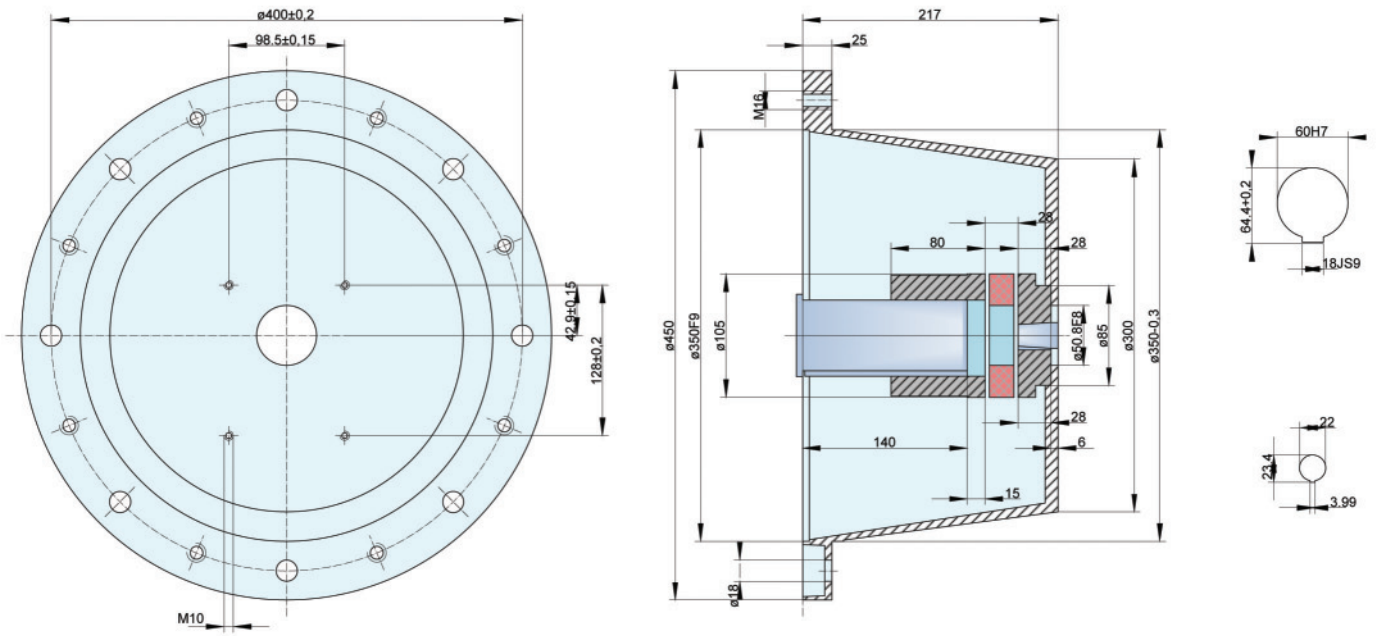
# DRAWING KIT NUMBER 18



# DRAWING KIT NUMBER 19



**DRAWING KIT NUMBER 20**



**DRAWING KIT NUMBER 21**

