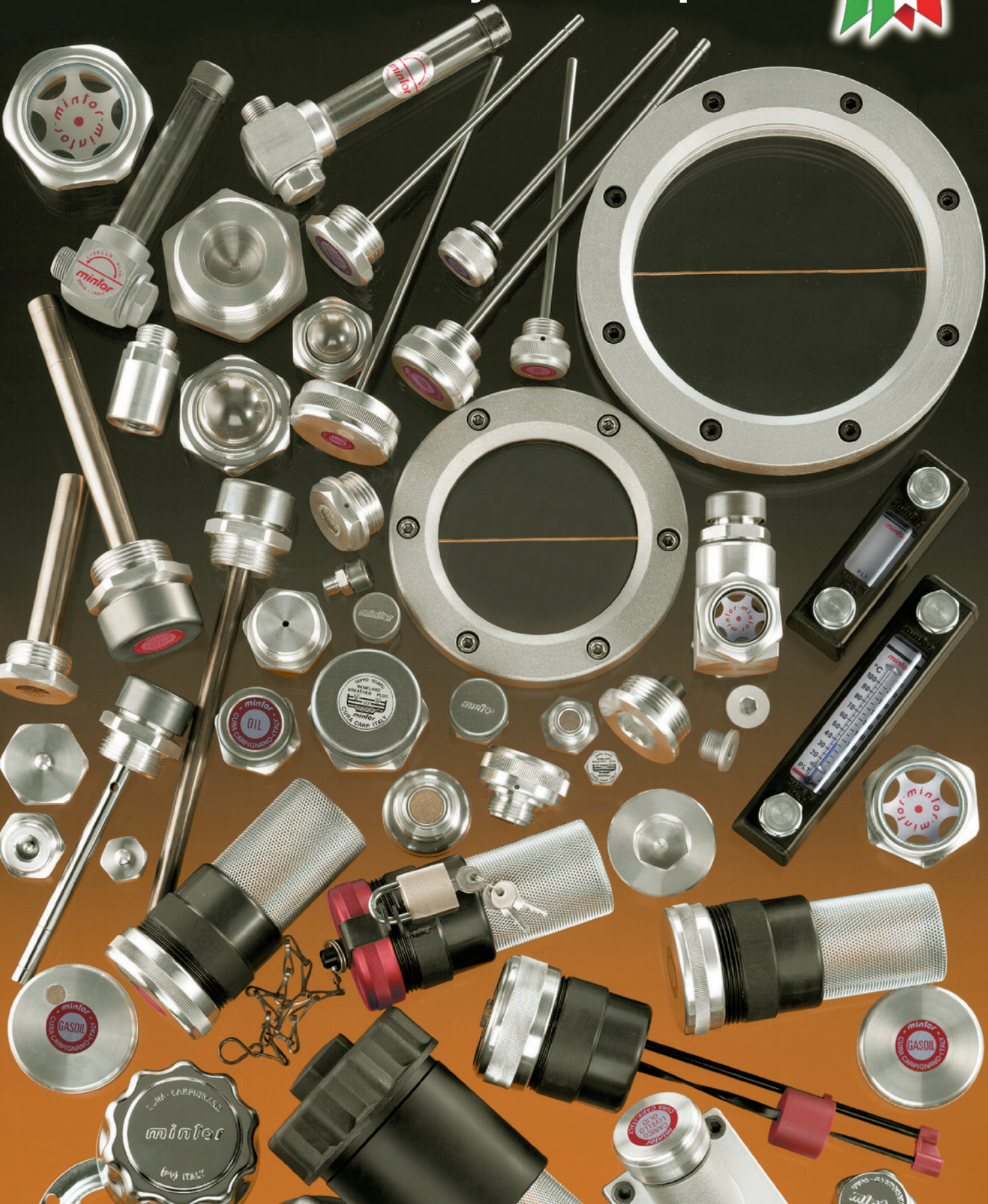


mintor®



Accessories for Hydraulic Components



50% OFF ALL PRICES

ACCESSORIES FOR HYDRAULIC COMPONENTS • 543

THE FOLLOWING IS A LIST OF SOME PARTICULAR COMPONENTS WITH THEIR TECHNICAL CHARACTERISTICS:

Magnetized parts

Permanently magnetized with special alloy The dipsticks and the magnetic elements are mechanically fastened

Light alloy in hardened and tempered bar form

breaking load40 ÷ 45
 A 5% elongation13 ÷ 17
 hardness Brinel Hd Kg/mm²100 ÷ 125
 UNI EN standards.....EN 754 - 3 : 1998 EN 573 - 3 : 1996

Inspection window

- 1) Polycarbonate material
 constant temperature during use up to+ 120°C
- 2) Pyrex glass
 constant temperature during use up to+ 200°C

Washers

- 1) Oil-proof exempt asbestos70 SHORE
- 2) Viton - 20°C + 100°C
- 3) O-rings in nitrile rubber, mineral oil proof
 temperature during use from70 SHORE
- 4) O-rings in Viton
 temperature during use from..... - 20°C + 200°C

The articles can be supplied with anodic treatment, standard or for salt environment.

The Company, in an effort to improve the technological content of its products, reserves the right to change the quotas indicated in the technical tables, without prior notice.

All the quotas are expressed in mm.

INDEX

BREATHER PLUGS

TCF/Z
 Page 548 Filling plug with breather.



TSFO/R
 Page 551 Breather plug.



TCF
 Page 548 Filling plug with breather.



TSF
 Page 552 Oil filling plug and breather.



TCF/F
 Page 549 Filling plug with breather and milled head.



TSFA
 Page 552 Oil filling plug and breather.



TCFS
 Page 549 Filling plug and breather.



TSFT/N
 Page 553 Oil filling plug and breather.



TCSF/Z
 Page 550 Filling plug and breather.



TSS
 Page 553 Breather plug with valve.



TMV
 Page 550 Breather plug.



PRS/F
 Page 554 Extension for oil with breather.



TSW
 Page 551 Breather plug with double valve.



MAGNETIC PLUGS

TCEM Magnetic oil - drain plug
Page 554 with hex slot..



TSCM Magnetic drain plug.
Page 555



TSCM/F Magnetic drain plug
Page 555 with milled head.



FMC Magnetic filter rod.
Page 556



FMC/LS Magnetic filter with dipstick
Page 556 and breather.



MAGNETIC PLUGS

TC/Z Filling plug.
Page 557



TCE Drain filling plug
Page 557 with hex slot.



TC Filling plug.
Page 558



TSC Drain plug.
Page 558



TC/F Filling plug.
Page 559



TSC/F Drain plug.
Page 559



VISUAL LEVEL INDICATORS

TLP Visual level indicator
Page 560 non-threaded.



TLA Visual level indicator.
Page 560



TLA/F Visual level indicator
Page 561 with milled head.



OBLÒ Inspection porthole or liquid level.
Ø 100
Page 562



OBLÒ Inspection porthole or liquid level.
Ø 148
Page 562



IFC Dome-shaped level gauge.
Page 563



GTSF Level indicator unit
Page 563 with breather plug.



TLAX Visual level indicator with glass.
Page 561



LEVEL INDICATORS WITH DIPSTICK

TCLA Filling plug with dipstick.
Page 564



TCLA/Z Filling plug with dipstick.
Page 564



TCLS/Z Filling plug with dipstick
Page 565 and breather.



TCLS Filling plug with dipstick
Page 565 and breather hole.



ILA Level indicator.
Page 566



ILAF Level indicator with breather.
Page 566



ILAS Level indicator with breather.
Page 567



Level indicators with dipstick cont.

LSF
Page 567 Level indicator with breather.



VISUAL LEVEL INDICATORS WITH FLOAT SYSTEM

TRBF/LG
Page 568 Visual level indicator with float system.



TC/ZLG
Page 568 Visual level indicator with float system.



LGF68
Page 569 Flanged level indicator with float system.



VERTICAL VISUAL LEVEL INDICATORS

GLVS
Page 569 Vertical level indicator with single thread.



GLV
Page 570 Vertical level indicator with double thread.



GLVE
Page 571 Vertical level indicator with double electrical contact.



GLVX
Page 570 Vertical level indicator with double thread, with pyrex glass and protection.



PL
Page 571 Vertical level indicator.



PLT
Page 572 Vertical level indicator with thermometer.

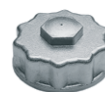


PLE
Page 572 Vertical level indicator with electrical contact.



FILLING PLUGS

TFES
Page 573 Female threaded plug with breather.



TFE/Z
Page 573 Female threaded plug.



TFES/Z
Page 574 Female threaded plug with breather.



TFES/ZA
Page 574 Female threaded plug with breather and dipstick.



TFES/ZF
Page 575 Female threaded plug with breather.



TCAR
Page 575 Filling plug.



TCARF
Page 577 Filling plug with threaded mount.



TCAR/LC
Page 576 Filling plug with lock-holder.



TCARS
Page 576 Filling plug with flange to be welded.



TRBF
Page 577 Hermetic filling plug.



TRBFS
Page 578 Filling plug with breather.



TRBFSC
Page 578 Filling plug with breather and lock-holder.



TRBF/ZK
Page 579 Hermetic filling plug with key lock.



TRBFS/A
Page 579 Filling plug with breather.



TRTCSF/Z
Page 580 Breather and filling plug.



PLUGS ON INCLINED FLANGE

INCLINED FLANGE

FLGV
Page 580 Inclined flange for side applications.



BREATHER PLUGS ON INCLINED FLANGE

TCFI - TSFI
TCF/FI - TCF/ZI Filling plug with breather
TCSF/ZI for side applications.
Page 581



FILLING PLUGS ON INCLINED FLANGE

TCI - TC/ZI
TC/FI Filling plug
Page 581 for side applications.



FILLING AND BREATHER PLUGS WITH LEVEL DIPSTICK ON INCLINED FLANGE

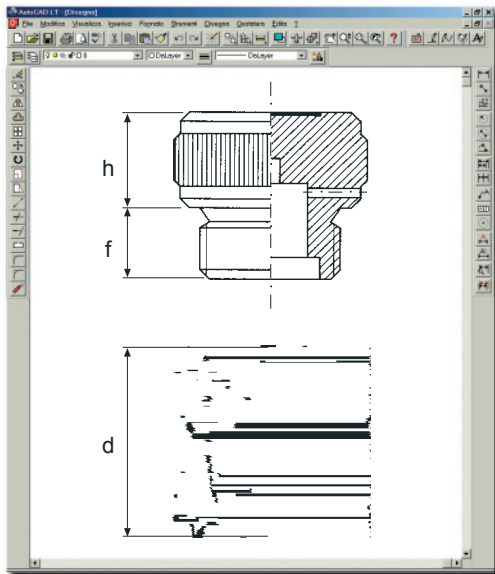
TCLAI - TCLA/ZI
TCLSI - TCLS/ZI Filling plug with
ILAFI - LSF dipstick and breather
FMC/LSI for side applications.
Page 582



FILLING PLUG ON INCLINED FLANGE

TCARI
Page 582 Inclined filling plug.





TCF/Z

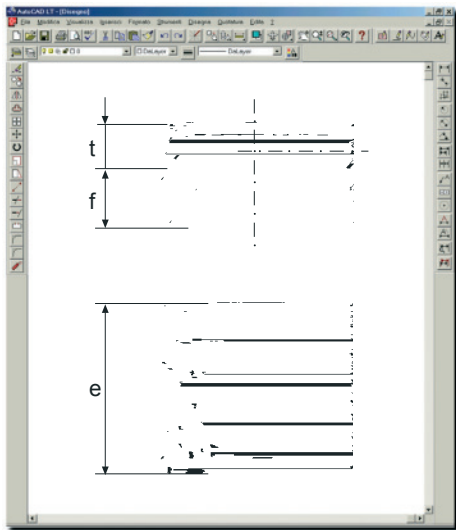
Filling plug with breather

- ▶ Threaded plug with knurled round head for hand-tightening.
- ▶ Hole for venting internal pressure.
- ▶ For application only on upper part of the crankcase away from moving parts.
- ▶ For applications requiring extra-tight sealing, type TSFT/N is recommended.



TYPE	CODE	GAS	h	f	d	PRICE
TCF/Z0G	1GCFZ00A	1/8"	12	8	20	£3.33
TCF/Z1G	1GCFZ10A	1/4"	12	8	22	£3.85
TCF/Z2G	1GCFZ20A	3/8"	13,5	10	26	£4.45
TCF/Z3G	1GCFZ30A	1/2"	16,5	10	30	£5.02
TCF/Z4G	1GCFZ40A	3/4"	20	12	40	£8.48
TCF/Z5G	1GCFZ50A	1"	21,5	14	45	£12.31
TCF/Z6G	1GCFZ60A	1 1/4"	20	15	55	£18.61
TCF/Z7G	1GCFZ70A	1 1/2"	20	15	55	£22.26
TCF/Z8G	1GCFZ80A	2"	20	17	70	£41.12

TYPE	CODE	MB series	h	f	d	PRICE
TCF/Z0M	1MCFZ00A	10 x 1	12	8	20	£3.33
TCF/Z1M	1MCFZ10A	14 x 1,5	12	8	22	£3.85
TCF/Z2M	1MCFZ20A	16 x 1,5	12	10	26	£4.45
TCF/Z3M	1MCFZ30A	18 x 1,5	12	10	26	£4.97
TCF/Z4M	1MCFZ40A	20 x 1,5	15	10	30	£4.99
TCF/Z5M	1MCFZ50A	22 x 1,5	15	10	30	£5.02
TCF/Z6M	1MCFZ60A	24 x 2	15	12	36	£8.81
TCF/Z7M	1MCFZ70A	30 x 2	20	12	42	£11.38
TCF/Z8M	1MCFZ80A	33 x 2	21,5	14	45	£12.31



TCF

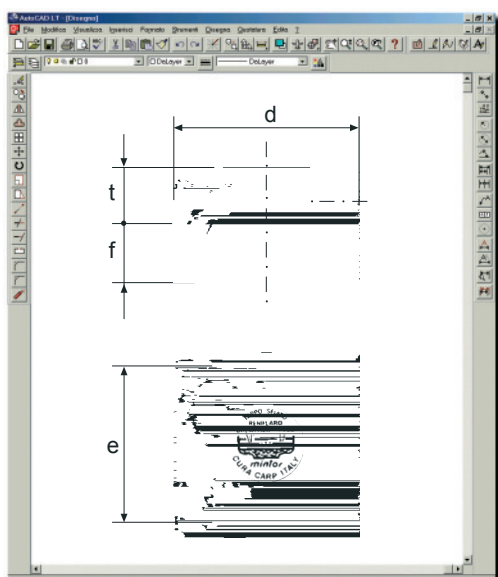
Filling plug with breather

- ▶ Hole for venting internal pressure.
- ▶ For application only on upper part of the crankcase away from moving parts.
- ▶ For applications requiring extra-tight sealing, type TSFT/N is recommended.



TYPE	CODE	GAS	t	f	e	PRICE
TCF0G	1GTCF00A	1/8"	5	8	14	£2.86
TCF1G	1GTCF10A	1/4"	7,5	8	17	£3.13
TCF2G	1GTCF20A	3/8"	8,5	10	22	£3.25
TCF3G	1GTCF30A	1/2"	8,5	10	27	£4.35
TCF4G	1GTCF40A	3/4"	9,5	12	32	£6.17
TCF5G	1GTCF50A	1"	9,5	14	40	£10.02
TCF6G	1GTCF60A	1 1/4"	10	15	50	£16.54
TCF7G	1GTCF70A	1 1/2"	10	15	55	£19.92
TCF8G	1GTCF80A	2"	12	17	70	£39.83

TYPE	CODE	MB series	t	f	e	PRICE
TCF0M	1MTCF00A	10 x 1	5	8	14	£2.86
TCF1M	1MTCF10A	14 x 1,5	6	8	17	£3.13
TCF2M	1MTCF20A	16 x 1,5	7	10	22	£3.25
TCF3M	1MTCF30A	18 x 1,5	7	10	22	£3.94
TCF4M	1MTCF40A	20 x 1,5	7	10	24	£4.48
TCF5M	1MTCF50A	22 x 1,5	8,5	10	27	£4.35
TCF6M	1MTCF60A	24 x 2	8	12	30	£7.18
TCF7M	1MTCF70A	26 x 1,5	8	12	32	£8.15
TCF8M	1MTCF80A	30 x 2	8	12	36	£10.35
TCF9M	1MTCF90A	33 x 2	8	14	40	£11.13
TCF10M	1MTCF91A	42 x 3	10	15	50	£16.54
TCF11M	1MTCF92A	48 x 3	10	15	55	£19.92
TCF12M	1MTCF93A	60 x 4	12	17	70	£39.83



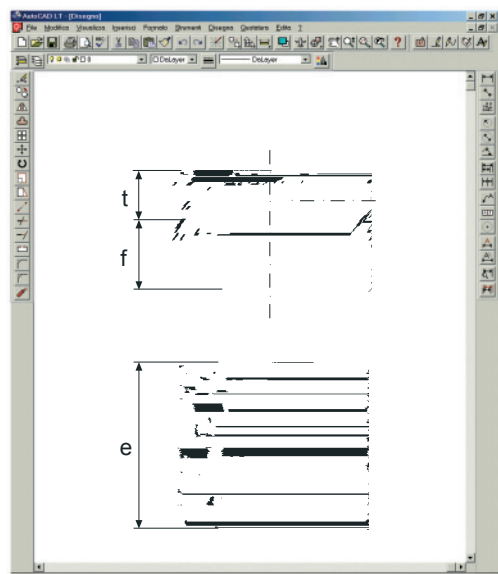
TCF/F

Filling plug with breather and milled head



- ▶ Hole for venting internal pressure.
- ▶ The milled head produces a crown with greater adherence area to the crankcase.
- ▶ For application only on upper part of the crankcase away from moving parts.
- ▶ For applications requiring extra-tight sealing, type TSFT/N is recommended.

TYPE	CODE	GAS	d	t	f	e	PRICE	TYPE	CODE	MB series	d	t	f	e	PRICE
TCF/F0G	1GF/F00A	1/8"	14	7	8	10	£2.63	TCF/F0M	1MF/F00A	10 x 1	14	7	8	10	£2.63
TCF/F1G	1GF/F10A	1/4"	20	9,5	8	17	£3.15	TCF/F1M	1MF/F10A	14 x 1,5	20	8	8	17	£3.15
TCF/F2G	1GF/F20A	3/8"	22	10	9	18	£3.23	TCF/F2M	1MF/F20A	16 x 1,5	22	10	9	18	£3.23
TCF/F3G	1GF/F30A	1/2"	28	10,5	11	22	£4.23	TCF/F3M	1MF/F30A	18 x 1,5	26	8	9	20	£3.56
TCF/F4G	1GF/F40A	3/4"	32	10,5	12	27	£2.57	TCF/F4M	1MF/F40A	20 x 1,5	28	9	11	22	£4.02
TCF/F5G	1GF/F50A	1"	40	12	12,5	34	£9.54	TCF/F5M	1MF/F50A	22 x 1,5	28	10,5	11	22	£4.23



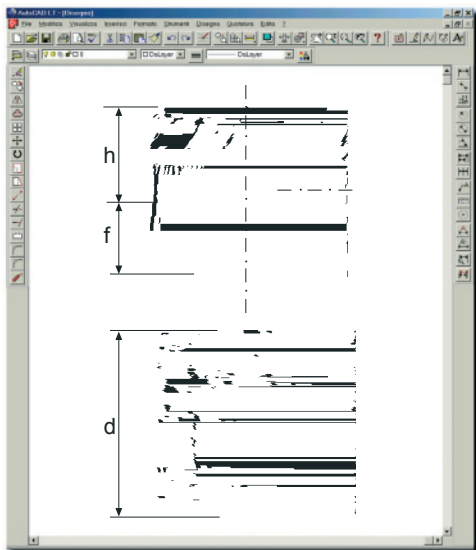
TCFS

Filling plug and breather



- ▶ Threaded plug with hex head and with hole and a spherical bronze filter which vent internal pressure and keep out foreign bodies during the intake stroke.
- ▶ The built-in filter has a filtration degree of 40 microns.
- ▶ The TCFS is especially suitable in dusty environments and with very small encumbrance.

TYPE	CODE	GAS	t	f	e	μ	PRICE	TYPE	CODE	MB series	t	f	e	μ	PRICE
TCFS1G	1GCFS10A	1/4"	7,5	8	17	40	£4.61	TCFS1M	1MCFS10A	14 x 1,5	6	8	17	40	£4.61
TCFS2G	1GCFS20A	3/8"	8,5	9	22	40	£5.29	TCFS2M	1MCFS20A	16 x 1,5	7	9	22	40	£5.32
TCFS3G	1GCFS30A	1/2"	7	12	27	40	£7.63	TCFS3M	1MCFS30A	18 x 1,5	7	9	22	40	£6.28
TCFS4G	1GCFS40A	3/4"	8	14	32	40	£9.87	TCFS4M	1MCFS40A	20 x 1,5	7	12	24	40	£7.59
TCFS5G	1GCFS50A	1"	8	16	40	40	£14.00	TCFS5M	1MCFS50A	22 x 1,5	7	12	27	40	£7.63



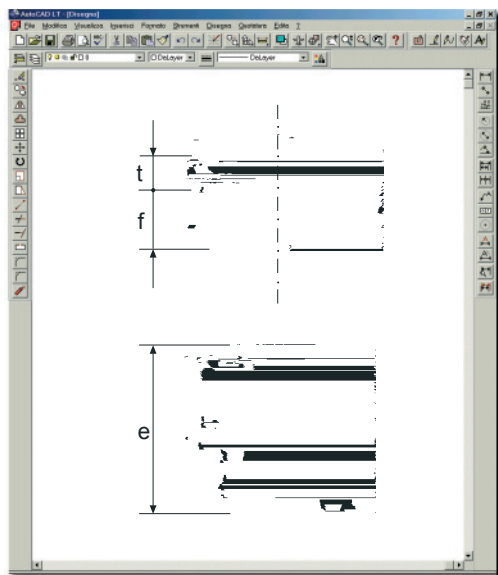
TCSF/Z

Filling plug and breather

- ▶ Threaded plug with knurled round head for hand-tightening.
- ▶ The hole and a spherical bronze filter vent internal pressure and keep out foreign bodies during the intake stroke.
- ▶ The built-in filter has a filtration degree of 40 microns.
- ▶ The TCSF/Z is therefore especially suitable in dusty environments and is recommended for applications on **Hydraulic Units**.



TYPE	CODE	GAS	h	f	d	μ	PRICE	TYPE	CODE	MB series	h	f	d	μ	PRICE
TCSF/Z1G	1GSFZ10A	1/4"	12	8	22	40	£6.20	TCSF/Z1M	1MSFZ10A	14 x 1,5	12	8	22	40	£6.20
TCSF/Z2G	1GSFZ20A	3/8"	12	10	26	40	£7.10	TCSF/Z2M	1MSFZ20A	16 x 1,5	12	10	26	40	£7.10
TCSF/Z3G	1GSFZ30A	1/2"	16,5	12	30	40	£8.41	TCSF/Z3M	1MSFZ30A	18 x 1,5	12	10	26	40	£7.76
TCSF/Z4G	1GSFZ40A	3/4"	20	13,5	40	40	£12.31	TCSF/Z4M	1MSFZ40A	20 x 1,5	15	12	30	40	£8.84
TCSF/Z5G	1GSFZ50A	1"	21,5	14	45	40	£16.32	TCSF/Z5M	1MSFZ50A	22 x 1,5	15	12	30	40	£8.89
TCSF/Z6G	1GSFZ60A	1" 1/4	21,5	16	55	200	£22.93	TCSF/Z6M	1MSFZ60A	24 x 2	15	13,5	36	40	£11.28
TCSF/Z7G	1GSFZ70A	1" 1/2	21,5	16	55	200	£26.56	TCSF/Z7M	1MSFZ70A	30 x 2	20	14	42	40	£14.41
TCSF/Z8G	1GSFZ80A	2"	20	17	70	200	£40.97	TCSF/Z8M	1MSFZ80A	33 x 2	20	14	45	40	£16.32



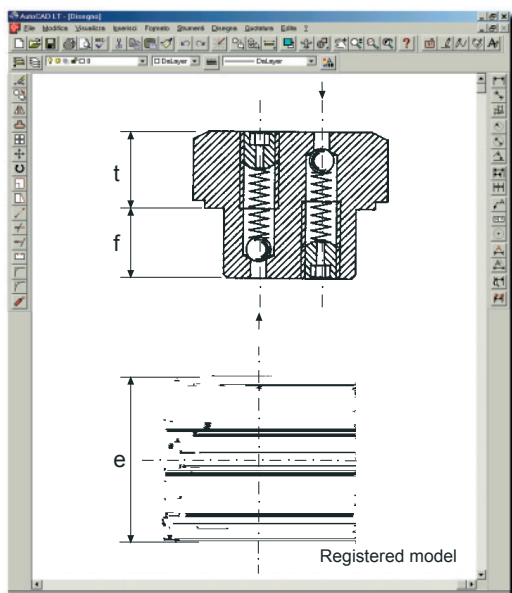
TMV

Breather plug

- ▶ Breather plug with O-ring and external valve with an inox spring calibrated from 0,10 to 0,15 bar.
- ▶ It opens at intervals and vents internal pressure.
- ▶ The valve has the double function of keeping out foreign bodies and avoid fluid leakage.
- ▶ It is especially recommended for **Differentials, Transmissions and small Speed Reducers**.



TYPE	CODE	GAS	t	f	e	PRICE	TYPE	CODE	MB series	t	f	e	PRICE
TMV0G	1GTMV00A	1/8"	5	8	14	£4.39	TMV0M	1MTMV00A	10 x 1	5	8	14	£4.39
TMV1G	1GTMV10A	1/4"	6	8	17	£4.69	TMV1M	1MTMV10A	12 x 1,5	6	8	17	£4.39
TMV2G	1GTMV20A	3/8"	7	10	22	£5.61	TMV2M	1MTMV20A	14 x 1,5	6	8	17	£4.69
TMV3G	1GTMV30A	1/2"	7	10	27	£6.85	TMV3M	1MTMV30A	16 x 1,5	7	10	22	£5.61
TMV4G	1GTMV40A	3/4"	8	12	32	£10.28	TMV4M	1MTMV40A	18 x 1,5	7	10	22	£6.41
TMV5G	1GTMV50A	1"	8	14	40	£13.12	TMV5M	1MTMV50A	20 x 1,5	7	10	24	£7.24
							TMV6M	1MTMV60A	22 x 1,5	7	10	27	£6.85



TSVV

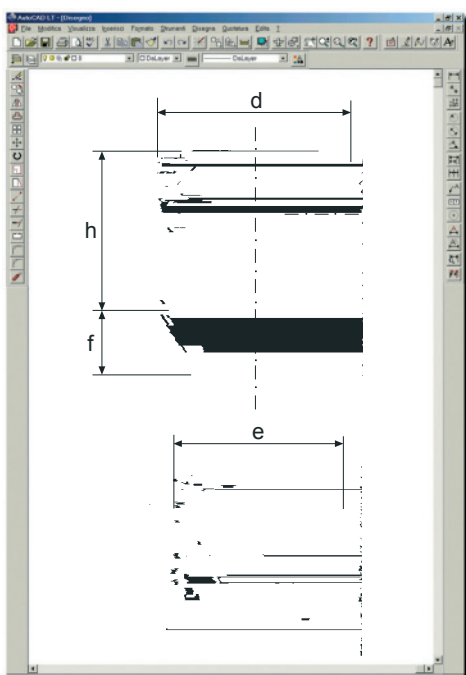
Breather plug with double valve

- ▶ Breather plug with double valve made of hardened and tempered light alloy. It is provided with standard 0,10 bar calibration, which can be adjusted by the operator depending on the intended use.
- ▶ The double valve ensures venting of internal pressure and inlet of air when the flow medium level decreases thus hindering cavitation on delivery.
- ▶ Particularly suitable for **Tanks, Oil-hydraulic Circuits and Hydraulically Operated Lifting Machines.**



TYPE	CODE	GAS	t	f	e	PRICE
TSVV1G	1GSVV10A	1/4"	10	10	17	£10.02
TSVV2G	1GSVV20A	3/8"	10	10	22	£10.61
TSVV3G	1GSVV30A	1/2"	10	10	27	£12.89
TSVV4G	1GSVV40A	3/4"	8	12	32	£17.28
TSVV5G	1GSVV50A	1"	8	14	40	£26.04

TYPE	CODE	MB series	t	f	e	PRICE
TSVV0M	1MSVV00A	12 x 1,5	10	10	17	£10.02
TSVV1M	1MSVV10A	14 x 1,5	10	10	17	£10.02
TSVV2M	1MSVV20A	16 x 1,5	10	10	22	£10.61
TSVV3M	1MSVV30A	18 x 1,5	10	10	22	£11.71
TSVV4M	1MSVV40A	20 x 1,5	10	10	24	£12.48
TSVV5M	1MSVV50A	22 x 1,5	10	10	27	£12.89
TSVV6M	1MSVV60A	24 x 1,5	10	10	30	£19.28
TSVV7M	1MSVV70A	26 x 1,5	8	12	32	£22.34
TSVV8M	1MSVV80A	30 x 2	8	12	36	£24.85
TSVV9M	1MSVV90A	33 x 2	8	14	40	£26.04



TSFO/R

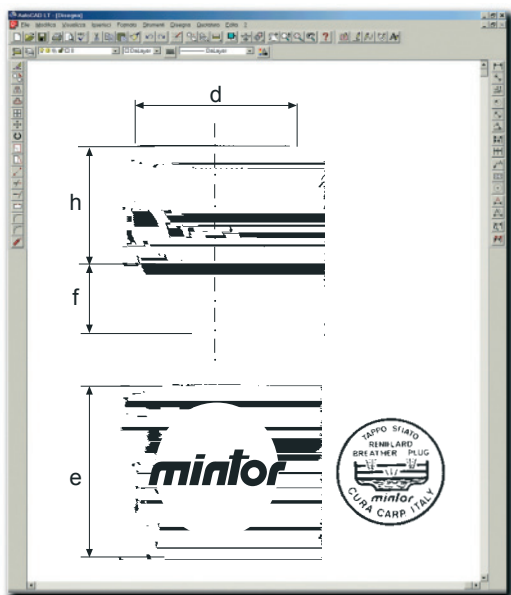
Breather plug

- ▶ Oil filling and breather plug with galvanized-steel cover.
- ▶ Large internal chamber with O-ring especially designed for **Agricultural and Earth-moving Machines**, to be applied wherever there is strong sloshing of the fluids.



TYPE	CODE	GAS	d	h	f	e	PRICE
TSFO/R0G	1GTOR00M	1/8"	21	21	8	17	£4.39
TSFO/R1G	1GTOR10M	1/4"	21	21	8	17	£4.66
TSFO/R2G	1GTOR20M	3/8"	24	23	9	20	£4.95
TSFO/R3G	1GTOR30M	1/2"	30	26	10	27	£6.56
TSFO/R4G	1GTOR40M	3/4"	30	24	12	32	£9.13
TSFO/R5G	1GTOR50M	1"	38	29	14	40	£14.05

TYPE	CODE	MB series	d	h	f	e	PRICE
TSFO/R0M	1MTOR00M	10 x 1	21	21	8	17	£4.39
TSFO/R1M	1MTOR10M	14 x 1,5	21	21	8	17	£4.66
TSFO/R2M	1MTOR20M	16 x 1,5	24	23	9	20	£4.95
TSFO/R3M	1MTOR30M	18 x 1,5	30	26	10	27	£4.95
TSFO/R4M	1MTOR40M	20 x 1,5	30	26	10	27	£6.41
TSFO/R5M	1MTOR50M	22 x 1,5	30	26	10	27	£6.56



TSF

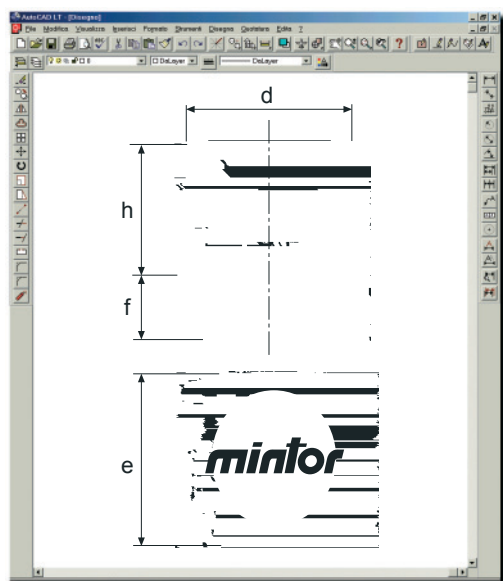
Oil filling plug with breather

- ▶ A galvanized-steel cover and a spherical bronze filter vent internal pressure and keep out foreign bodies during the intake stroke.
- ▶ The built-in filter has a filtration degree of 40 microns.
- ▶ The TSF is therefore especially suitable in dusty environments and is recommended for applications on **Hydraulic Units and Cylinders**.



TYPE	CODE	GAS	d	h	f	e	μ	PRICE
TSF1G	1GTSF10M	1/4"	16,5	17	8	17	40	£6.50
TSF2G	1GTSF20M	3/8"	22	19	10	22	40	£7.92
TSF3G	1GTSF30M	1/2"	26	21	12	27	40	£9.56
TSF4G	1GTSF40M	3/4"	30	24	14	32	40	£13.18
TSF5G	1GTSF50M	1"	38	29	16	40	40	£18.74
TSF6G	1GTSF60A	1 1/4"	50	33	16	50	200	£31.38
TSF7G	1GTSF70A	1 1/2"	55	35	16	55	200	£42.75
TSF8G	1GTSF80A	2"	70	40	16	70	200	£79.33

TYPE	CODE	MB series	d	h	f	e	μ	PRICE
TSF1M	1MTSF10M	14 x 1,5	16,5	17	8	17	40	£6.50
TSF2M	1MTSF20M	16 x 1,5	22	19	10	22	40	£7.92
TSF3M	1MTSF30M	18 x 1,5	22	19	10	22	40	£8.84
TSF4M	1MTSF40M	20 x 1,5	24	21	12	24	40	£9.46
TSF5M	1MTSF50M	22x 1,5	26	21	12	27	40	£9.56
TSF6M	1MTSF60M	24 x 2	30	24	12	30	40	£16.86
TSF7M	1MTSF70M	30 x 2	30	25	14	36	40	£18.04
TSF8M	1MTSF80M	33 x 2	38	29	16	40	40	£18.74
TSF9M	1MTSF90A	42 x 3	50	33	16	50	200	£31.38
TSF10M	1MTSF91A	48 x 3	55	35	16	55	200	£42.75
TSF11M	1MTSF92A	60 x 4	70	40	16	70	200	£79.33



TSFA

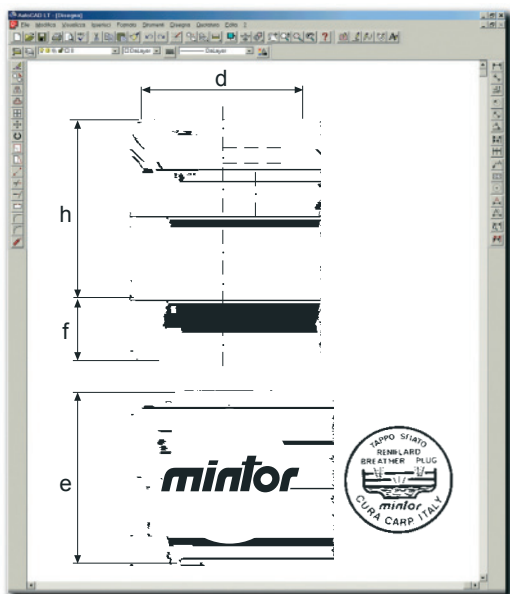
Oil filling plug and breather

- ▶ A galvanized-steel cover and a spherical bronze filter vent internal pressure and keep out foreign bodies during the intake stroke.
- ▶ The built-in filter has a filtration degree of 40 microns.
- ▶ The TSFA is therefore especially suitable in dusty environments and is recommended for applications in the **motor field**.



TYPE	CODE	GAS	d	h	f	e	μ	PRICE
TSFA0G	1GTSFA0M	1/8"	16,5	16	8	14	40	£5.13
TSFA1G	1GTSFA1M	1/4"	16,5	17	8	17	40	£5.42
TSFA2G	1GTSFA2M	3/8"	22	19	11	22	40	£6.81
TSFA3G	1GTSFA3M	1/2"	26	20	11	27	40	£8.53
TSFA4G	1GTSFA4M	3/4"	30	24	12	32	40	£11.89
TSFA5G	1GTSFA5M	1"	38	29	14	40	40	£18.18

TYPE	CODE	MB series	d	h	f	e	μ	PRICE
TSFA0M	1MTSFA0M	10 x 1	16,5	16	8	14	40	£6.23
TSFA1M	1MTSFA1M	12 x 1,5	16,5	17	8	17	40	£6.28
TSFA2M	1MTSFA2M	14 x 1,5	16,5	17	8	17	40	£6.28
TSFA3M	1MTSFA3M	16 x 1,5	22	19	11	22	40	£6.82
TSFA4M	1MTSFA4M	18 x 1,5	22	19	11	22	40	£8.67
TSFA5M	1MTSFA5M	20 x 1,5	24	20	11	24	40	£8.89
TSFA6M	1MTSFA6M	22 x 1,5	26	20	11	27	40	£8.53
TSFA7M	1MTSFA7M	24 x 1,5	30	24	12	30	40	£15.20
TSFA8M	1MTSFA8M	26 x 1,5	30	24	12	32	40	£15.60
TSFA9M	1MTSFA9M	30 x 1,5	30	25	14	36	40	£17.17



TSFT/N

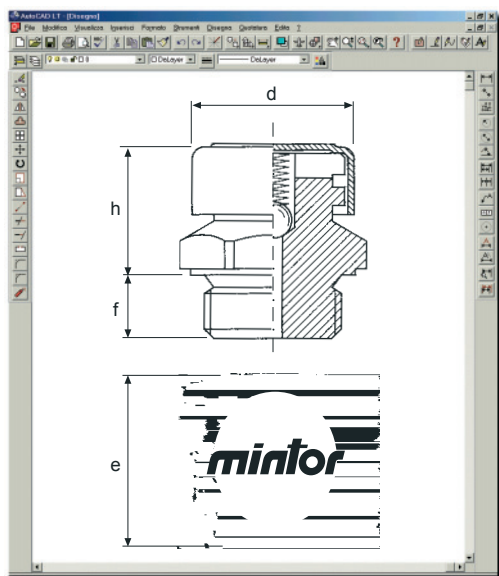
Oil filling plug and breather

- ▶ Large chamber with labyrinth and perpendicular cut protected by a galvanized-steel cover.
- ▶ The pressure created by moving parts within the gearbox is vented through the labyrinth without oil spattering, even though the plug is mounted vertically to the parts.
- ▶ Particularly suitable for mounting on **Reduction Gears, Geared Motors, Speed Variators and Gearshift Boxes.**



TYPE	CODE	GAS	d	h	f	e	PRICE
TSFT/N1G	1GTSN10M	1/4"	16,5	23	8	17	£7.18
TSFT/N2G	1GTSN20M	3/8"	22	29	9	22	£8.59
TSFT/N3G	1GTSN30M	1/2"	26	29	10	27	£11.98
TSFT/N4G	1GTSN40M	3/4"	30	35	12	32	£14.98
TSFT/N5G	1GTSN50M	1"	38	43	14	40	£21.45
TSFT/N6G	1GTSN60A	1" 1/4	50	45	15	50	£39.49
TSFT/N7G	1GTSN70A	1" 1/2	55	46	15	55	£47.77
TSFT/N8G	1GTSN80A	2"	70	46	17	70	£91.52

TYPE	CODE	MB series	d	h	f	e	PRICE
TSFT/N1M	1MTSN10M	14 x 1,5	16,5	23	8	17	£7.20
TSFT/N2M	1MTSN20M	16 x 1,5	22	29	9	22	£8.59
TSFT/N3M	1MTSN30M	18 x 1,5	22	29	9	22	£10.50
TSFT/N4M	1MTSN40M	20 x 1,5	24	29	10	24	£11.59
TSFT/N5M	1MTSN50M	22 x 1,5	26	29	10	27	£11.98
TSFT/N6M	1MTSN60M	24 x 2	30	35	12	30	£17.95
TSFT/N7M	1MTSN70M	30 x 2	30	42	12	36	£23.22
TSFT/N8M	1MTSN80M	33 x 2	38	43	14	40	£24.00
TSFT/N9M	1MTSN90A	42 x 3	50	45	15	50	£39.49
TSFT/N10M	1MTSN91A	48 x 3	55	46	15	55	£47.77
TSFT/N11M	1MTSN92A	60 x 4	70	46	17	70	£91.52



TSS

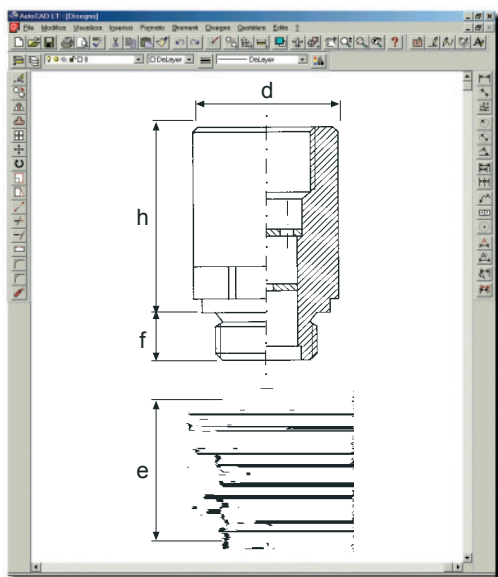
Breather plug with valve

- ▶ Breather plug with galvanized-steel cover and specially-designed internal valve with an inox spring, calibrated from 0,05 to 0,10 bar, which opens at intervals to vent internal pressure created by fluid turbulence and keep out foreign bodies.
- ▶ It is especially recommended for applications on **Speed-shift Gears, Agricultural over-Gears and Industrial Speed-Reduction Gearboxes.**



TYPE	CODE	GAS	d	h	f	e	PRICE
TSS0G	1GTSS00M	1/8"	16,5	16	8	14	£7.20
TSS1G	1GTSS10M	1/4"	16,5	17	9,5	17	£7.72
TSS2G	1GTSS20M	3/8"	22	19	11	22	£8.17
TSS3G	1GTSS30M	1/2"	26	20	11	27	£9.76
TSS4G	1GTSS40M	3/4"	30	24	12	32	£13.48
TSS5G	1GTSS50M	1"	38	29	14	40	£18.92

TYPE	CODE	MB series	d	h	f	e	PRICE
TSS0M	1MTSS00M	10 x 1	16,5	16	8	14	£7.20
TSS1M	1MTSS10M	14 x 1,5	16,5	17	9,5	17	£7.72
TSS2M	1MTSS20M	16 x 1,5	22	19	11	22	£8.17
TSS3M	1MTSS30M	18 x 1,5	22	19	11	22	£9.20
TSS4M	1MTSS40M	20 x 1,5	24	20	11	24	£9.69
TSS5M	1MTSS50M	22 x 1,5	26	20	11	27	£9.76
TSS6M	1MTSS60M	24 x 2	30	24	12	30	£12.04
TSS7M	1MTSS70M	30 x 2	30	25	14	36	£19.50
TSS8M	1MTSS80M	33 x 2	38	29	14	40	£18.92



PRS/F

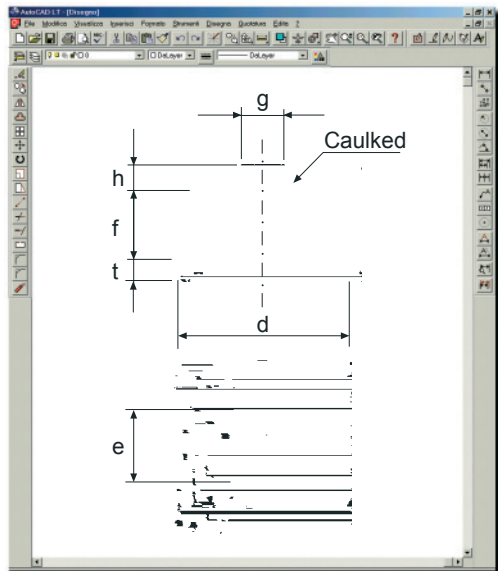
Extension for oil with breather

- ▶ Made of aluminium alloy, same thread for both internal and external side, with large chamber with labyrinth.
- ▶ Particularly suitable for **Agricultural, Earth Moving and Building Machines.**



TYPE	CODE	GAS	d	h	f	e	PRICE	TYPE	CODE	MB series	d	h	f	e	PRICE
PRS/F1G	1GPSF10A	1/4"	20	40	8	17	£7.50	PRS/F1M	1MPSF10A	14 x 1,5	20	40	8	17	£7.50
PRS/F2G	1GPSF20A	3/8"	26	40	10	22	£9.13	PRS/F2M	1MPSF20A	16 x 1,5	26	40	10	22	£9.13
PRS/F3G	1GPSF30A	1/2"	30	40	11	27	£11.61	PRS/F3M	1MPSF30A	18 x 1,5	26	40	10	22	£10.12
PRS/F4G	1GPSF40A	3/4"	36	50	12	32	£14.69	PRS/F4M	1MPSF40A	20 x 1,5	30	40	11	27	£11.19
PRS/F5G	1GPSF50A	1"	42	50	14	38	£23.22	PRS/F5M	1MPSF50A	22 x 1,5	30	40	11	27	£11.61

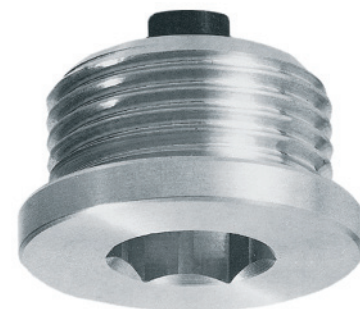
MAGNETIC PLUGS



TCEM

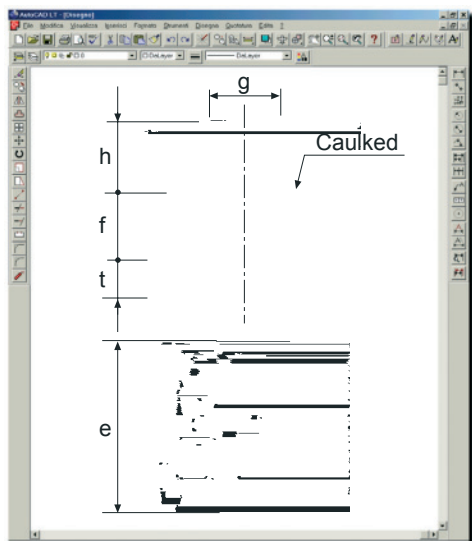
Magnetic oil - drain plug with hex slot

- ▶ Made of tempered, hardened alloy.
- ▶ A permanent magnetic insert of special alloy attracts and holds ferrous particles suspended or circulating in the oil.
- ▶ Especially recommended for high-rpm machinery.
- ▶ Available with metal washers only.



NORMA DIN 908 type

TYPE	CODE	GAS	e	g	h	f	t	d	PRICE	TYPE	COD*	MB series	e	g	h	f	t	d	PRICE
TCEM0G	1GTEM00A	1/8"	5	5	4	8	3	14	£5.07	TCEM0M	1MTEM00A	10 x 1	5	5	4	8	3	14	£5.07
TCEM1G	1GTEM10A	1/4"	6	5	5	12	3	18	£5.19	TCEM1M	1MTEM10A	12 x 1,5	6	5	4	12	3	17	£5.17
TCEM2G	1GTEM20A	3/8"	8	5	5	12	3	22	£5.43	TCEM2M	1MTEM20A	14 x 1,5	6	5	5	12	3	19	£5.19
TCEM3G	1GTEM30A	1/2"	10	6	5	14	4	26	£6.85	TCEM3M	1MTEM30A	16 x 1,5	8	5	5	12	3	21	£5.43
TCEM4G	1GTEM40A	3/4"	12	10	6	16	4	32	£12.37	TCEM4M	1MTEM40A	18 x 1,5	8	6	5	12	3	23	£6.17
TCEM5G	1GTEM50A	1"	17	10	6	16	5	40	£14.26	TCEM5M	1MTEM50A	20 x 1,5	10	6	5	14	4	25	£6.58
TCEM6G	1GTEM60A	1" 1/4	22	15	10	16	5	49	£27.87	TCEM6M	1MTEM60A	22 x 1,5	10	6	5	14	4	27	£6.85
TCEM7G	1GTEM70A	1" 1/2	24	15	10	16	5	55	£32.15	TCEM7M	1MTEM70A	24 x 1,5	12	6	5	14	4	29	£10.54
TCEM8G	1GTEM80A	2"	32	15	15	20	5	68	£58.38	TCEM8M	1MTEM80A	24 x 2	12	6	5	14	4	29	£10.54
										TCEM9M	1MTEM90A	26 x 1,5	12	10	6	16	4	32	£13.26
										TCEM10M	1MTEM91A	27x 2	12	10	6	16	4	32	£13.26
										TCEM11M	1MTEM92A	30 x 1,5	17	10	6	16	4	36	£14.02
										TCEM12M	1MTEM93A	30x 2	17	10	6	16	4	36	£14.02
										TCEM13M	1MTEM94A	33x 2	17	10	6	16	5	40	£14.26



TSCM

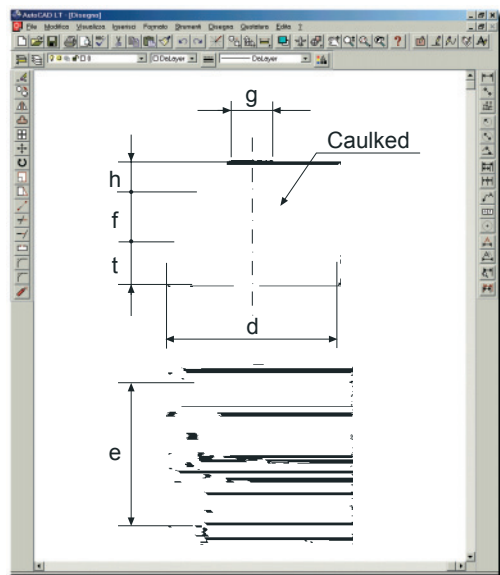
Magnetic drain plug

- ▶ A magnetic insert attracts and holds ferrous particles suspended or circulating in the oil, safeguarding rotating parts.
- ▶ Recommended for high-rpm machinery.



TYPE	CODE	GAS	e	g	h	f	t	PRICE
TSCM0G	1GSCM00A	1/8"	14	5	6	8	5	£5.91
TSCM1G	1GSCM10A	1/4"	17	5	6	8	7,5	£6.36
TSCM2G	1GSCM20A	3/8"	22	6	6	10	8,5	£7.41
TSCM3G	1GSCM30A	1/2"	27	8	8	10	8,5	£10.50
TSCM4G	1GSCM40A	3/4"	32	10	10	12	9,5	£14.50
TSCM5G	1GSCM50A	1"	40	15	15	14	9,5	£20.61
TSCM6G	1GSCM60A	1" 1/4	50	15	15	15	10	£29.02
TSCM7G	1GSCM70A	1" 1/2	55	15	15	15	10	£32.15
TSCM8G	1GSCM80A	2"	70	15	15	17	12	£51.36

TYPE	CODE	MB series	e	g	h	f	t	PRICE
TSCM0M	1MSCM00A	10 x 1	14	5	6	8	5	£6.28
TSCM1M	1MSCM10A	12 x 1,5	17	5	6	8	6	£6.58
TSCM2M	1MSCM20A	14 x 1,5	17	5	6	8	6	£6.87
TSCM3M	1MSCM30A	16 x 1,5	22	6	6	10	8,5	£7.84
TSCM4M	1MSCM40A	18 x 1,5	22	6	6	10	8,5	£8.24
TSCM5M	1MSCM50A	20 x 1,5	24	8	8	10	7	£10.05
TSCM6M	1MSCM60A	22 x 1,5	27	8	8	10	8,5	£11.35
TSCM7M	1MSCM70A	24 x 2	30	10	10	12	8	£13.65
TSCM8M	1MSCM80A	30 x 2	36	10	10	12	8	£17.46
TSCM9M	1MSCM90A	33 x 2	40	15	15	14	8	£24.26
TSCM10M	1MSCM91A	42 x 3	50	15	15	15	10	£30.53
TSCM11M	1MSCM92A	48 x 3	55	15	15	15	10	£32.15
TSCM12M	1MSCM93A	60 x 4	70	15	15	17	12	£51.36



TSCM/F

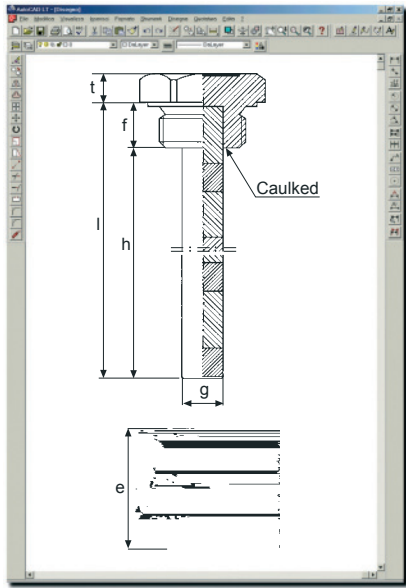
Magnetic drain plug with milled head

- ▶ Head milling produces a crown with greater sealing area against the crankcase.
- ▶ A magnetic insert attracts and holds ferrous particles suspended or circulating in the oil, protecting all rotating parts.
- ▶ Recommended for high-rpm machinery.



TYPE	CODE	GAS	e	g	h	f	t	d	PRICE
TSCM/F0G	1GM/F00A	1/8"	10	5	4	8	8	14	£6.33
TSCM/F1G	1GM/F10A	1/4"	14	5	4	8	9,5	18	£6.97
TSCM/F2G	1GM/F20A	3/8"	18	5	5	9	10	22	£7.92
TSCM/F3G	1GM/F30A	1/2"	22	6	6	11	10,5	28	£11.28
TSCM/F4G	1GM/F40A	3/4"	27	10	6	12	12	32	£15.00
TSCM/F5G	1GM/F50A	1"	34	10	7	14	12	40	£21.00

TYPE	CODE	MB series	e	g	h	f	t	d	PRICE
TSCM/F0M	1MM/F00A	10 x 1	10	5	4	8	8	14	£6.33
TSCM/F1M	1MM/F10A	14 x 1,5	14	5	4	8	8	18	£6.97
TSCM/F2M	1MM/F20A	16 x 1,5	18	5	5	9	10	22	£7.92
TSCM/F3M	1MM/F30A	18 x 1,5	18	5	5	9	9	24	£8.67
TSCM/F4M	1MM/F40A	20 x 1,5	20	6	6	10	9	26	£9.58
TSCM/F5M	1MM/F50A	22 x 1,5	22	6	6	11	10,5	28	£11.28
TSCM/F6M	1MM/F60A	24 x 2	24	8	6	12	9	30	£13.79
TSCM/F7M	1MM/F70A	30 x 2	30	10	6	12	10,5	38	£17.37
TSCM/F8M	1MM/F80A	33 x 2	34	10	7	14	10,5	40	£21.00



FMC

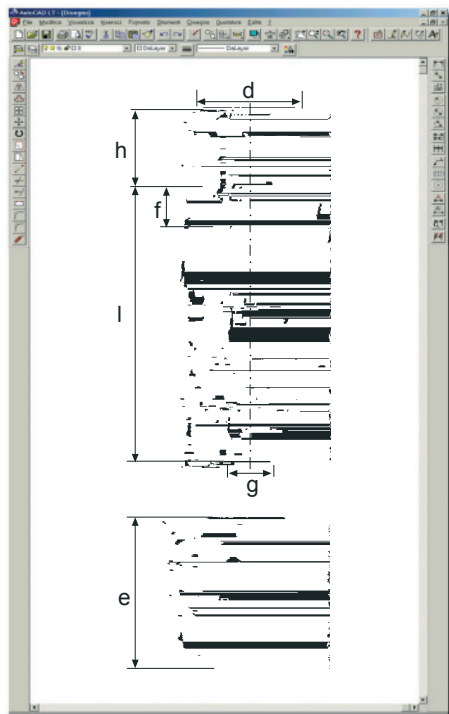
Magnetic filter rod

- ▶ Head of hardened, tempered light alloy.
- ▶ Permanent magnetic sections of special alloy with wide-radius action.
- ▶ Non-magnetic coating is smooth for easier, better cleaning.
- ▶ Recommended for **Grinding Machines, Hydraulic Units and Large tanks.**
- ▶ On request, supplied with different length.



TYPE	CODE	GAS	t	f	l	h	g	e	PRICE
FMC1G	1GFMC10A	3/8"	7	10	80	70	9	22	£32.92
FMC2G	1GFMC20A	1/2"	9,5	10	95	85	12	27	£40.18
FMC3G	1GFMC30A	3/4"	9,5	12	102	90	17	32	£52.80
FMC4G	1GFMC40A	1"	9,5	14	104	90	17	40	£66.49
FMC5G	1GFMC50A	1" 1/4	10	15	105	90	28	50	£83.90
FMC6G	1GFMC60A	1" 1/2	10	15	105	90	28	55	£87.80
FMC7G	1GFMC70A	2"	12	17	107	90	28	70	£102.77

TYPE	CODE	MB series	t	f	l	h	g	e	PRICE
FMC1M	1MFMC10A	16 x 1,5	7	10	80	70	9	22	£33.16
FMC2M	1MFMC20A	18 x 1,5	7	10	80	70	9	22	£35.84
FMC3M	1MFMC30A	20 x 1,5	7	10	95	85	12	24	£43.41
FMC4M	1MFMC40A	22 x 1,5	8,5	10	95	85	12	27	£43.46
FMC5M	1MFMC50A	24 x 2	8	12	102	90	12	30	£55.04
FMC6M	1MFMC60A	30 x 2	8	12	102	90	17	36	£71.61
FMC7M	1MFMC70A	33 x 2	8	14	104	90	17	40	£66.49
FMC8M	1MFMC80A	42 x 3	10	15	105	90	28	50	£83.90
FMC9M	1MFMC90A	48 x 3	10	15	105	90	28	55	£92.41
FMC10M	1MFMC95A	60 x 4	12	17	107	90	28	70	£102.77



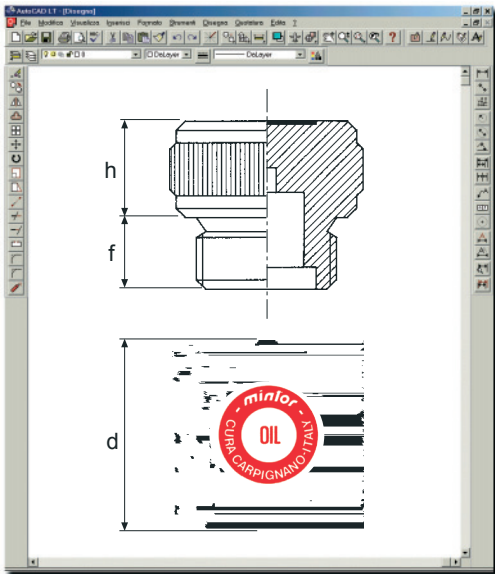
FMC/LS

Magnetic filter with dipstick and breather

- ▶ Magnetic dipstick built into breather plug.
- ▶ Galvanized-steel cover vents internal pressure and keeps out foreign bodies during the intake stroke.
- ▶ The magnetic dipstick is composed of permanent magnetic sections in special alloy with wide-radius action.
- ▶ The non-magnetic coating is smooth for easier, better cleaning.
- ▶ Recommended for **Grinding Machines Hydraulic Units and Large Tanks.**
- ▶ On request, supplied with different length.



TYPE	CODE	GAS	d	h	f	l	g	e	PRICE
FMC/LS1G	1GFLS10A	1/2"	26	22	10	170	9	27	£45.92
FMC/LS2G	1GFLS20A	3/4"	30	24	12	200	12	32	£61.18
FMC/LS3G	1GFLS30A	1"	38	29	14	200	12	40	£81.08
FMC/LS4G	1GFLS40A	1" 1/4	50	33	15	200	17	50	£98.39



TC/Z

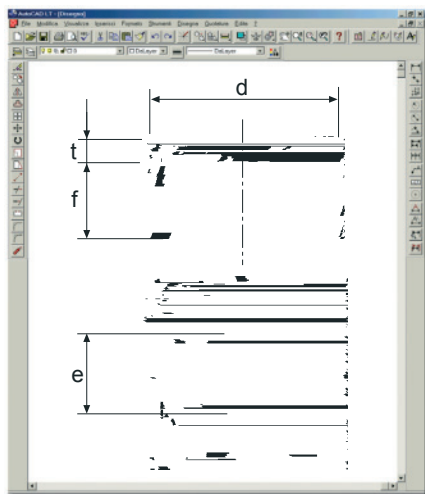
Filling plug

- ▶ Threaded plug with knurled round head for hand-tightening.



By request: with filling label

TYPE	CODE	GAS	h	f	d	PRICE	TYPE	CODE	MB series	h	f	d	PRICE
TC/Z0G	1GCZO00A	1/8"	12	8	20	£3.15	TC/Z0M	1MCZO00A	10 x 1	12	8	20	£3.15
TC/Z1G	1GCZO10A	1/4"	12	8	22	£3.67	TC/Z1M	1MCZO10A	14 x 1,5	12	8	22	£3.67
TC/Z2G	1GCZO20A	3/8"	13,5	10	26	£4.20	TC/Z2M	1MCZO20A	16 x 1,5	12	10	26	£4.20
TC/Z3G	1GCZO30A	1/2"	16,5	10	30	£5.61	TC/Z3M	1MCZO30A	18 x 1,5	12	10	26	£4.76
TC/Z4G	1GCZO40A	3/4"	20	12	40	£8.15	TC/Z4M	1MCZO40A	20 x 1,5	15	10	30	£5.32
TC/Z5G	1GCZO50A	1"	21,5	14	45	£11.33	TC/Z5M	1MCZO50A	22 x 1,5	15	10	30	£5.61
TC/Z6G	1GCZO60A	1" 1/4	20	15	55	£17.56	TC/Z6M	1MCZO60A	24 x 2	15	12	36	£7.97
TC/Z7G	1GCZO70A	1" 1/2	20	15	55	£22.41	TC/Z7M	1MCZO70A	30 x 2	20	12	42	£10.41
TC/Z8G	1GCZO80A	2"	20	17	70	£41.80	TC/Z8M	1MCZO80A	33 x 2	20	14	45	£11.33



TCE

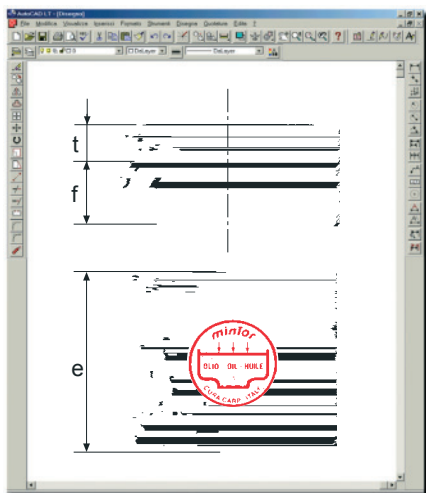
Drain filling plug with hex slot

- ▶ Made of tempered, hardened light alloy.
- ▶ High twisting resistance, suitable for applications requiring minimum projection.
- ▶ Available with metal washers only.

NORMA DIN 908 type



TYPE	CODE	GAS	d	t	f	e	PRICE	TYPE	CODE	MB series	d	t	f	e	PRICE
TCE0G	1GTBE00A	1/8"	14	3	8	5	£1.82	TCE0M	1MTBE00A	10 x 1	14	3	8	5	£1.82
TCE1G	1GTBE10A	1/4"	18	3	12	6	£2.01	TCE1M	1MTBE10A	12 x 1,5	17	3	12	6	£1.95
TCE2G	1GTBE20A	3/8"	22	3	12	8	£2.19	TCE2M	1MTBE20A	14 x 1,5	19	3	12	6	£2.01
TCE3G	1GTBE30A	1/2"	26	4	14	10	£2.92	TCE3M	1MTBE30A	16 x 1,5	21	3	12	8	£2.19
TCE4G	1GTBE40A	3/4"	32	4	16	12	£3.82	TCE4M	1MTBE40A	18 x 1,5	23	3	12	8	£2.41
TCE5G	1GTBE50A	1"	40	5	16	17	£5.43	TCE5M	1MTBE50A	20 x 1,5	25	4	14	10	£3.11
TCE6G	1GTBE60A	1" 1/4	49	5	16	22	£13.20	TCE6M	1MTBE60A	22 x 1,5	27	4	14	10	£2.92
TCE7G	1GTBE70A	1" 1/2	55	5	16	24	£16.48	TCE7M	1MTBE70A	24 x 1,5	29	4	14	12	£5.59
TCE8G	1GTBE80A	2"	68	5	20	32	£34.07	TCE8M	1MTBE80A	24 x 2	29	4	14	12	£5.59
								TCE9M	1MTBE90A	26 x 1,5	32	4	16	12	£5.69
								TCE10M	1MTBE91A	27 x 2	32	4	16	12	£6.11
								TCE11M	1MTBE92A	30 x 1,5	36	4	16	17	£6.25
								TCE12M	1MTBE93A	30 x 2	36	4	16	17	£6.25
								TCE13M	1MTBE94A	33 x 2	40	5	16	17	£6.38



TC

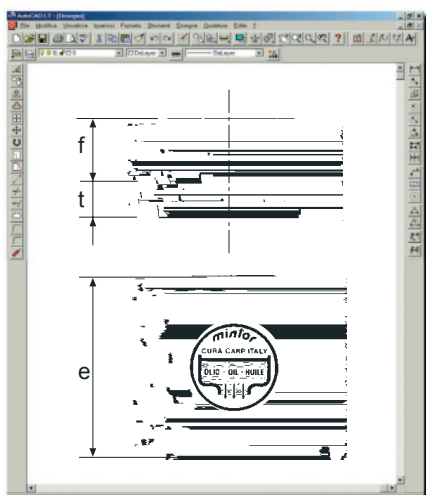
Filling plug

- ▶ Tight-sealing, maximum resistance to twisting and overheating.



TYPE	CODE	GAS	t	f	e	PRICE
TC0G	1GTCO00A	1/8"	5	8	14	£2.63
TC1G	1GTCO10A	1/4"	7,5	8	17	£2.73
TC2G	1GTCO20A	3/8"	8,5	10	22	£2.84
TC3G	1GTCO30A	1/2"	8,5	10	27	£3.94
TC4G	1GTCO40A	3/4"	9,5	12	32	£5.86
TC5G	1GTCO50A	1"	9,5	14	40	£8.98
TC6G	1GTCO60A	1" 1/4	10	15	50	£16.15
TC7G	1GTCO70A	1" 1/2	10	15	55	£18.78
TC8G	1GTCO80A	2"	12	17	70	£34.31

TYPE	CODE	MB series	t	f	e	PRICE
TC0M	1MTCO00A	10 x 1	5	8	14	£2.63
TC1M	1MTCO10A	14 x 1,5	6	8	17	£2.73
TC2M	1MTCO20A	16 x 1,5	7	10	22	£2.84
TC3M	1MTCO30A	18 x 1,5	7	10	22	£3.74
TC4M	1MTCO40A	20 x 1,5	7	10	24	£4.28
TC5M	1MTCO50A	22 x 1,5	8,5	10	27	£3.94
TC6M	1MTCO60A	24 x 2	8	12	30	£6.54
TC7M	1MTCO70A	26 x 1,5	8	12	32	£7.05
TC8M	1MTCO80A	30 x 2	8	12	36	£9.20
TC9M	1MTCO90A	33 x 2	8	14	40	£9.97
TC10M	1MTCO91A	42 x 3	10	15	50	£16.15
TC11M	1MTCO92A	48 x 3	10	15	55	£20.87
TC12M	1MTCO93A	60 x 4	12	17	70	£34.31



TSC

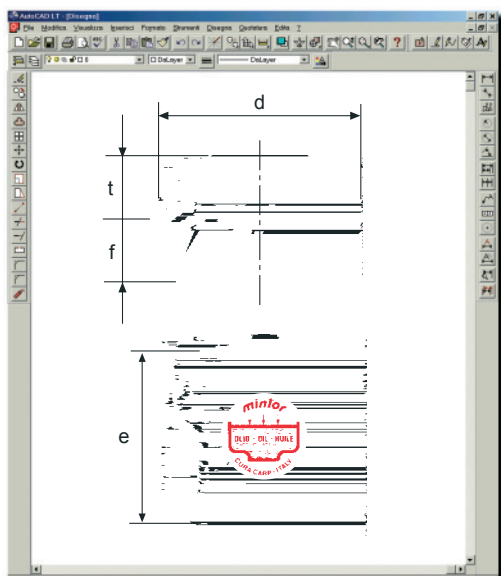
Drain plug

- ▶ Tight-sealing, maximum resistance to twisting and overheating.



TYPE	CODE	GAS	f	t	e	PRICE
TSC0G	1GTSC00A	1/8"	8	5	14	£2.63
TSC1G	1GTSC10A	1/4"	8	7,5	17	£2.73
TSC2G	1GTSC20A	3/8"	10	8,5	22	£2.84
TSC3G	1GTSC30A	1/2"	10	8,5	27	£3.94
TSC4G	1GTSC40A	3/4"	12	9,5	32	£5.86
TSC5G	1GTSC50A	1"	14	9,5	40	£8.98
TSC6G	1GTSC60A	1" 1/4	15	10	50	£16.15
TSC7G	1GTSC70A	1" 1/2	15	10	55	£18.78
TSC8G	1GTSC80A	2"	17	12	70	£34.31

TYPE	CODE	MB series	f	t	e	PRICE
TSC0M	1MTSC00A	10 x 1	8	5	14	£2.63
TSC1M	1MTSC10A	14 x 1,5	8	6	17	£2.73
TSC2M	1MTSC20A	16 x 1,5	10	7	22	£2.84
TSC3M	1MTSC30A	18 x 1,5	10	7	22	£3.74
TSC4M	1MTSC40A	20 x 1,5	10	7	24	£4.28
TSC5M	1MTSC50A	22 x 1,5	10	8,5	27	£3.94
TSC6M	1MTSC60A	24 x 2	12	8	30	£6.54
TSC7M	1MTSC70A	26 x 1,5	12	8	32	£7.05
TSC8M	1MTSC80A	30 x 2	12	8	36	£9.20
TSC9M	1MTSC90A	33 x 2	14	8	40	£9.97
TSC10M	1MTSC91A	42 x 3	15	10	50	£16.15
TSC11M	1MTSC92A	48 x 3	15	10	55	£20.87
TSC12M	1MTSC93A	60 x 4	17	12	70	£34.31



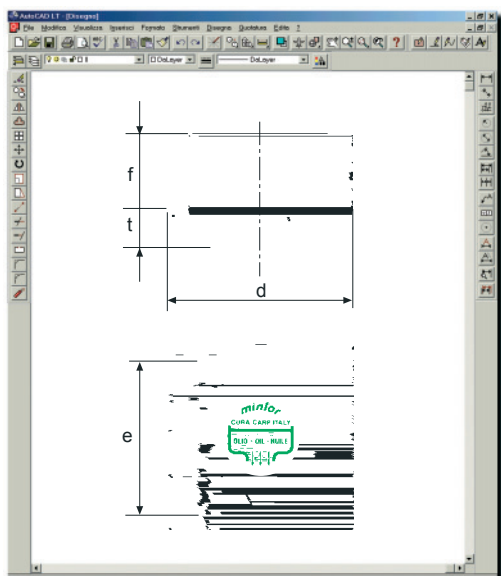
TC/F

Filling plug



- ▶ Tight-sealing, maximum resistance to twisting and overheating.
- ▶ Head milling produces a crown with greater sealing area against the crankcase.

TYPE	CODE	GAS	d	t	f	e	PRICE	TYPE	CODE	MB series	d	t	f	e	PRICE
TC/F0G	1GC/F00A	1/8"	14	7	8	10	£2.48	TC/F0M	1MC/F00A	10 x 1	14	7	8	10	£2.48
TC/F1G	1GC/F10A	1/4"	20	9,5	8	17	£2.66	TC/F1M	1MC/F10A	14 x 1,5	20	8	8	17	£2.66
TC/F2G	1GC/F20A	3/8"	22	10	9	18	£3.06	TC/F2M	1MC/F20A	16 x 1,5	22	10	9	18	£3.06
TC/F3G	1GC/F30A	1/2"	28	10,5	11	22	£4.02	TC/F3M	1MC/F30A	18 x 1,5	26	8	9	20	£3.35
TC/F4G	1GC/F40A	3/4"	32	10,5	12	27	£6.85	TC/F4M	1MC/F40A	20 x 1,5	28	9	10	22	£3.85
TC/F5G	1GC/F50A	1"	40	12	12,5	34	£8.77	TC/F5M	1MC/F50A	22 x 1,5	28	10,5	11	22	£4.02



TSC/F

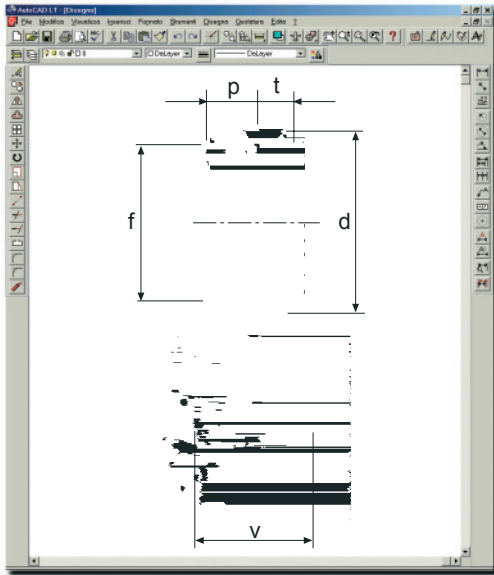
Drain plug



- ▶ Tight-sealing, maximum resistance to twisting and overheating.
- ▶ Head milling produces a crown with greater sealing area against the crankcase.

TYPE	CODE	GAS	d	t	f	e	PRICE	TYPE	CODE	MB series	d	t	f	e	PRICE
TSC/F0G	1GS/F00A	1/8"	14	7	8	10	£2.48	TSC/F0M	1MS/F00A	10 x 1	14	7	8	10	£2.48
TSC/F1G	1GS/F10A	1/4"	20	9,5	8	17	£2.66	TSC/F1M	1MS/F10A	14 x 1,5	20	8	8	17	£2.66
TSC/F2G	1GS/F20A	3/8"	22	10	9	18	£3.06	TSC/F2M	1MS/F20A	16 x 1,5	22	10	9	18	£3.06
TSC/F3G	1GS/F30A	1/2"	28	10,5	11	22	£4.02	TSC/F3M	1MS/F30A	18 x 1,5	26	8	9	20	£3.35
TSC/F4G	1GS/F40A	3/4"	32	10,5	12	27	£6.85	TSC/F4M	1MS/F40A	20 x 1,5	28	9	10	22	£3.85
TSC/F5G	1GS/F50A	1"	40	12	12,5	34	£8.77	TSC/F5M	1MS/F50A	22 x 1,5	28	10,5	11	22	£4.02

VISUAL LEVEL INDICATORS



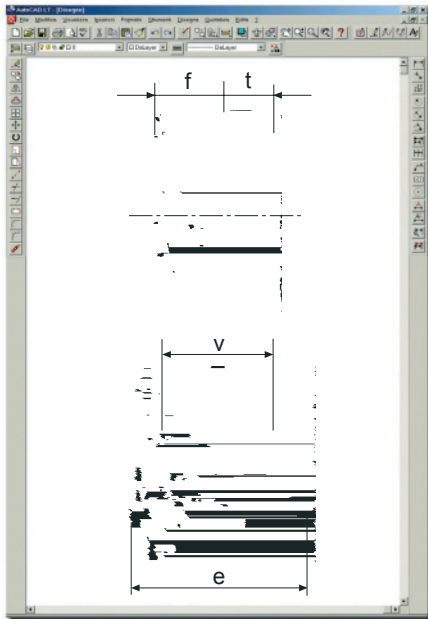
TLP

Visual level indicator non-threaded

- ▶ Transparent inspection window unaffected by high or low temperatures.
- ▶ Avoid contact with **alcohol and solvents**.
- ▶ O-ring for pressure assembly.



TYPE	CODE	O - R	p	t	d	Øf ^{mm}	v	PRICE
TLP0	1PTPO00A	OR 115	9	5	20	17	11	£6.04
TLP1	1PTPO10A	OR 119	9	6	24	20	13	£6.48
TLP2	1PTPO20A	OR 128	9	8	30	26	16	£7.97
TLP3	1PTPO30A	OR 3100	10	8	34	30	21	£9.43
TLP4	1PTPO40A	OR 3118	10	8	38	35	27	£12.72
TLP5	1PTPO50A	OR 3131	10	8	42	38	27	£14.02



TLA

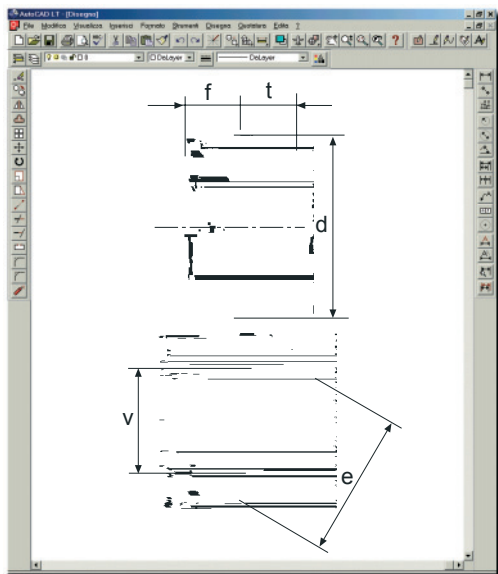
Visual level indicator

- ▶ Standard polycarbonate transparent inspection window unaffected by high or low temperatures.
- ▶ Avoid contacts with **alcohol and solvents**.
- ▶ Special version: with Pyrex glass for high temperatures.
- ▶ By request: with anchor nut for unthreaded hole.



TYPE	CODE	GAS	f	t	v	e	PRICE
TLAN1G	1GTLN10A	1/4"	8	7	10	17	£4.82
TLA2G	1GTLA20A	3/8"	9	7	13	22	£5.15
TLA3G	1GTLA30A	1/2"	10	9	16	27	£5.77
TLA4G	1GTLA40A	3/4"	11	9	21	32	£6.85
TLA5G	1GTLA50A	1"	14	10	27	40	£9.74
TLA6G	1GTLA60A	1 1/4"	15	10	37	50	£19.41
TLA7G	1GTLA70A	1 1/2"	15	10	40	55	£22.66
TLA8G	1GTLA80A	2"	17	14	50	70	£43.44

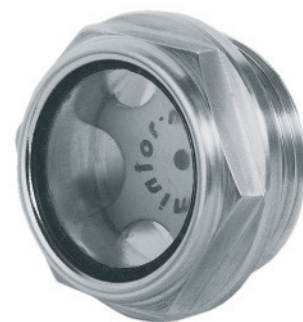
TYPE	CODE	MB series	f	t	v	e	PRICE
TLAN1M	1MTLN10A	14 x 1,5	8	7	10	17	£4.55
TLA2M	1MTLA20A	16 x 1,5	9	7	13	22	£4.86
TLA3M	1MTLA30A	18 x 1,5	9	7	13	22	£5.02
TLA4M	1MTLA40A	20 x 1,5	10	7	16	24	£5.27
TLA5M	1MTLA50A	22 x 1,5	10	9	16	27	£5.44
TLA6M	1MTLA60A	24 x 1,5	11	9	16	30	£8.14
TLA7M	1MTLA70A	24 x 2	11	9	16	30	£8.63
TLA8M	1MTLA80A	25 x 1,5	11	9	21	32	£8.63
TLA9M	1MTLA90A	27 x 1,5	11	9	21	32	£9.11
TLA10M	1MTLA91A	30 x 1,5	11	9	21	36	£9.48
TLA11M	1MTLA92A	30 x 2	11	9	21	36	£9.48
TLA12M	1MTLA93A	33 x 1,5	14	10	27	40	£9.74
TLA13M	1MTLA94A	33 x 2	14	10	27	40	£9.74
TLA14M	1MTLA95A	35 x 1,5	14	10	27	40	£15.25
TLA15M	1MTLA96A	40 x 1,5	12	10	37	50	£18.85
TLA16M	1MTLA97A	42 x 3	15	10	37	50	£19.41
TLA17M	1MTLA98A	48 x 3	15	10	40	55	£22.66
TLA18M	1MTLA99A	60 x 2	17	14	50	70	£43.44
TLA19M	1MTLA999	60 x 4	17	14	50	70	£43.44



TLA/F

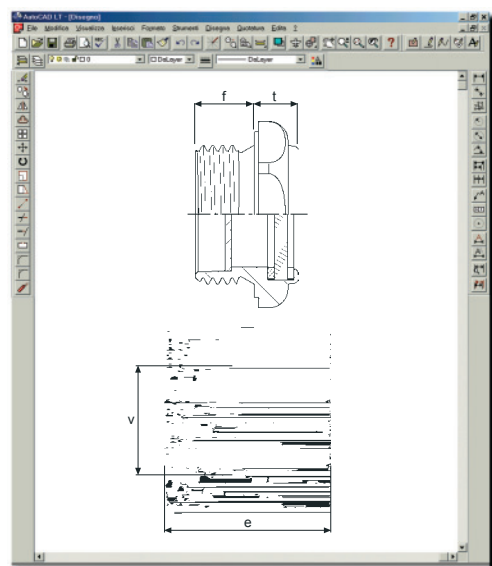
Visual level indicator with milled head

- ▶ Standard polycarbonate transparent inspection window unaffected by high or low temperatures.
- ▶ Avoid contacts with **alcohol and solvents**.
- ▶ Head milling produces a crown with greater sealing area against the crankcase.
- ▶ Special version: with Pyrex glass for high temperatures.



TYPE	CODE	GAS	v	e	f	t	d	PRICE
TLA/F1G	1GL/F10A	3/8"	10	18	9	9	22	£5.35
TLA/F2G	1GL/F20A	1/2"	16	22	10	9	28	£6.11
TLA/F3G	1GL/F30A	3/4"	21	27	12	11	32	£7.32
TLA/F4G	1GL/F40A	1"	27	34	12,5	12	40	£10.26
TLA/F5G	1GL/F50A	1 1/4"	37	46	15	12	50	£20.17

TYPE	CODE	MB series	v	e	f	t	d	PRICE
TLA/F1M	1ML/F10A	16 x 1,5	10	18	9	9	22	£5.35
TLA/F2M	1ML/F20A	18 x 1,5	13	20	9	9	26	£5.59
TLA/F3M	1ML/F30A	20 x 1,5	16	22	10	9	28	£5.95
TLA/F4M	1ML/F40A	22 x 1,5	16	22	10	9	28	£6.11



TLAX

Visual level indicator with glass

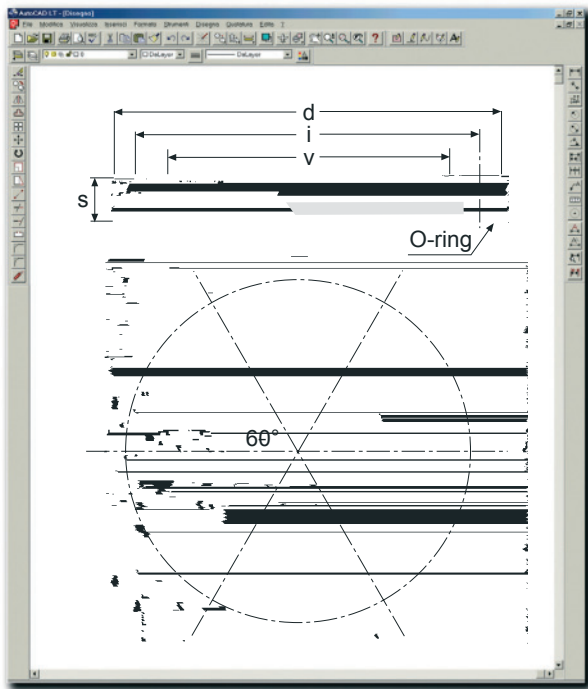
- ▶ Transparent inspection window in Pyrex glass suitable for high and low temperatures from - 20°C till + 200°C max.
- ▶ Supplied complete with internal Viton washer.
- ▶ By request supplied in brass.

NEW



TYPE	CODE	GAS	f	t	v	e	PRICE
TLAX1G	1GTLX10A	1/4"	8	9	10	17	£9.64
TLAX2G	1GTLX20A	3/8"	9	10	13	22	£10.57
TLAX3G	1GTLX30A	1/2"	10	9	16	27	£13.64
TLAX4G	1GTLX40A	3/4"	11	9	21	32	£16.79
TLAX5G	1GTLX50A	1"	14	10	27	40	£21.38
TLAX6G	1GTLX60A	1 1/4"	15	10	37	50	£34.49
TLAX7G	1GTLX70A	1 1/2"	15	10	40	55	£35.95
TLAX8G	1GTLX80A	2"	17	14	50	70	£35.95

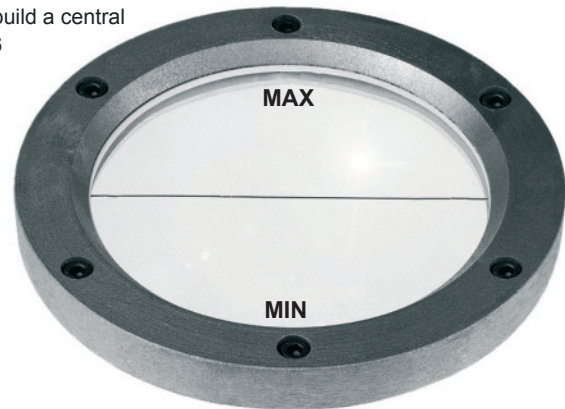
TYPE	CODE	MB Series	f	t	v	e	PRICE
TLAX1M	1MTLX10A	14 x 1,5	8	9	10	17	£9.64
TLAX2M	1MTLX20A	16 x 1,5	9	10	13	22	£10.57
TLAX3M	1MTLX30A	18 x 1,5	9	10	13	22	£12.72
TLAX4M	1MTLX40A	20 x 1,5	10	10	16	24	£13.46
TLAX5M	1MTLX50A	22 x 1,5	10	9	16	27	£13.64
TLAX6M	1MTLX60A	27 x 1,5	11	9	21	32	£19.48
TLAX7M	1MTLX70A	33 x 1,5	14	10	27	40	£24.01
TLAX8M	1MTLX80A	33 x 2	14	10	27	40	£24.01
TLAX9M	1MTLX90A	35 x 1,5	14	10	27	40	£27.25
TLAX10M	1MTLX91A	40 x 1,5	12	10	37	50	£37.58
TLAX11M	1MTLX92A	42 x 3	15	10	37	50	£39.75



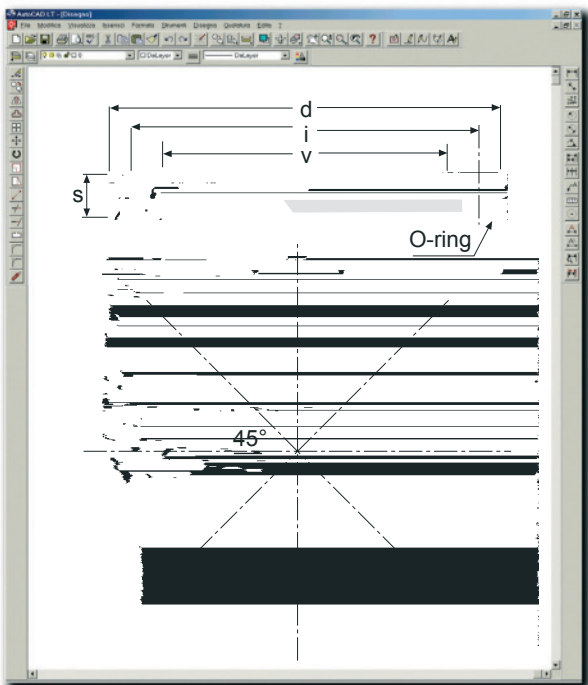
OBLÒ

Inspection porthole or liquid-level \varnothing 100

- ▶ Made of aluminium light alloy with tempered glass; supplied complete with gum washers, anchor screws and O-ring.
- ▶ For the tightening to build a central hole of 100 mm and 6 threaded holes M6 arranged 60° on a diameter with inter-axis of 130 mm.
- ▶ The thickness of the reservoir must not be less than 5 mm.



TYPE	CODE	v	d	i	s	PRICE
OBLÒ	1OBLO30A	Ø 100	Ø 150	Ø 130	19,5	£72.08



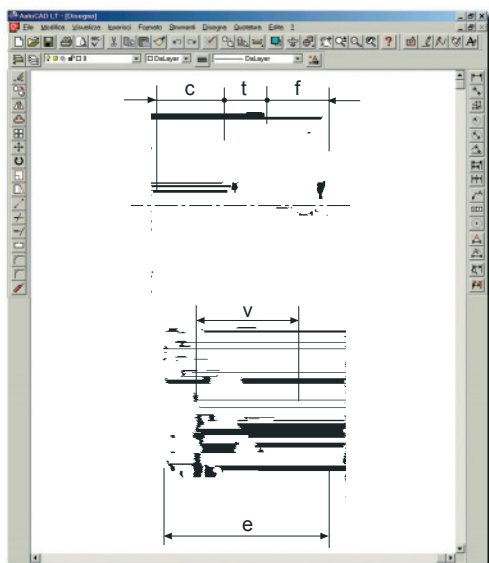
OBLÒ

Inspection porthole or liquid-level \varnothing 148

- ▶ Made of aluminium light alloy with tempered glass; supplied complete with gum washers, anchor screws and O-ring.
- ▶ For the tightening to build a central hole of 148 mm and 8 threaded holes M6 arranged 45° on a diameter with inter-axis of 180 mm.
- ▶ The thickness of the reservoir must not be less than 5 mm.



TYPE	CODE	v	d	i	s	PRICE
OBLÒ	1OBLO40A	Ø 148	Ø 202	Ø 180	21,5	£98.23



IFC

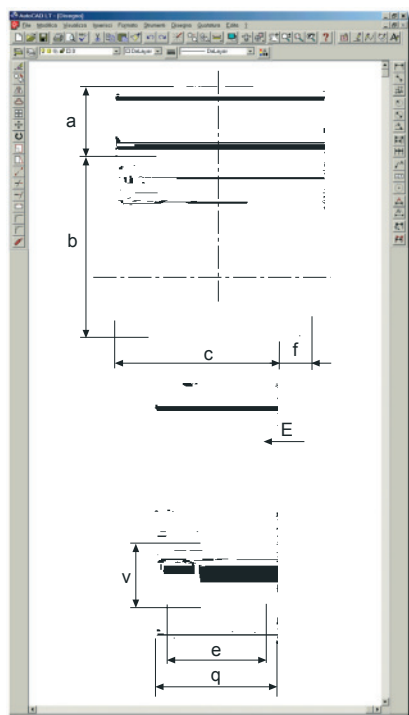
Dome-shaped level gauge



- ▶ Transparent glass that does not alter at high and low temperatures.
- ▶ It is particularly suitable for seeing the fluid from the side, as well as the circulation of fluid from the top.
- ▶ Avoid contact with **alcohol and solvents**.
- ▶ It is supplied with fixing nut for non-threaded holes on request.

TYPE	CODE	GAS	f	t	v	e	c	PRICE
IFC0G	1GIFC00A	3/8"	8	6	16	24	9	£5.26
IFC1G	1GIFC10A	1/2"	10	9,5	16	27	9	£5.77
IFC2G	1GIFC20A	3/4"	11	10	19	32	13	£6.85
IFC3G	1GIFC30A	1"	14	10	25	40	17	£9.74
IFC4G	1GIFC40A	1 1/4"	15	10,5	33	50	23	£21.70
IFC5G	1GIFC50A	1 1/2"	15	10,5	36	55	24	£25.33
IFC6G	1GIFC60A	2"	17	14	42	70	28	£43.44

TYPE	CODE	MB series	f	t	v	e	c	PRICE
IFC0M	1MIFC00A	16x 1,5	8	6	16	24	9	£5.26
IFC0M	1MIFC01A	18x 1,5	8	6	16	24	9	£5.26
IFC1M	1MIFC10A	20 x 1,5	10	8	16	24	9	£6.85
IFC2M	1MIFC20A	22 x 1,5	10	9,5	16	27	9	£5.77
IFC3M	1MIFC30A	24 x 1,5	11	9,5	14	30	9	£8.63
IFC4M	1MIFC40A	25 x 1,5	11	10	18	32	13	£8.63
IFC5M	1MIFC50A	27 x 1,5	11	10	18	32	13	£10.72
IFC6M	1MIFC60A	30 x 1,5	11	11	23	36	15	£11.17
IFC7M	1MIFC70A	33 x 1,5	14	10,5	25	40	17	£11.46
IFC8M	1MIFC80A	35 x 1,5	14	10,5	23	40	17	£15.25
IFC9M	1MIFC90A	40 x 1,5	15	10,5	33	50	23	£22.18
IFC10M	1MIFC95A	45 x 1,5	15	10,5	36	55	24	£24.81
IFC11M	1MIFC99A	52 x 1,5	17	14	42	60	28	£43.44



GTSF

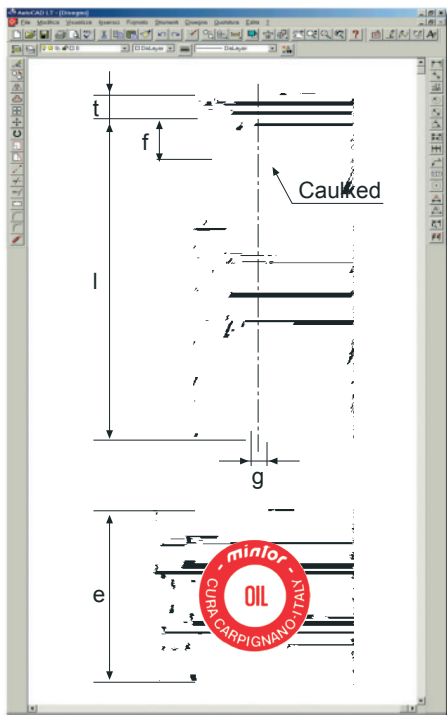
Level indicator unit with breather plug



- ▶ This unit was designed to satisfy both technical and economical requirements, because it can be applied with a single hole obtaining three services: oil filling, vapor venting, level indication.
- ▶ Avoid contact with **alcohol and solvents**.

TYPE	CODE	GAS	v	e	q	a	b	c	f	E	PRICE
GTSF1G	1GGSF10M	3/8"	16	27	30	20	46	43	11	22	£43.10
GTSF2G	1GGSF20M	1/2"	16	27	30	21	46	43	11	22	£44.80
GTSF3G	1GGSF30M	3/4"	21	32	40	22	60	52	11	27	£55.43
GTSF4G	1GGSF40M	1"	27	40	40	26	60	55	16	32	£63.91

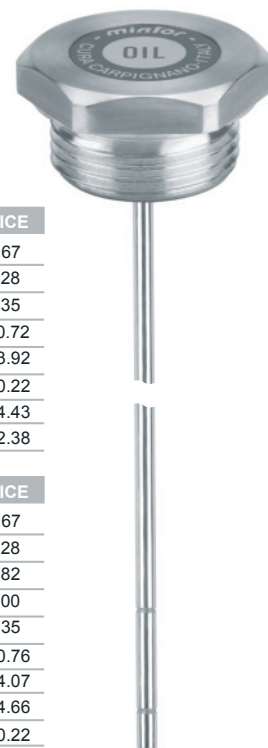
TYPE	CODE	MB series	v	e	q	a	b	c	f	E	PRICE
GTSF1M	1MGSF10M	16 x 1,5	16	27	30	20	46	43	11	22	£43.10
GTSF2M	1MGSF20M	18 x 1,5	16	27	30	21	46	43	11	22	£43.53
GTSF3M	1MGSF30M	20 x 1,5	16	27	30	21	46	43	11	22	£44.16
GTSF4M	1MGSF40M	22 x 1,5	16	27	30	21	46	43	11	22	£44.80
GTSF5M	1MGSF50M	24 x 2	16	30	40	22	60	52	11	27	£59.25
GTSF6M	1MGSF60M	30 x 2	21	36	40	26	60	52	14	27	£62.90
GTSF7M	1MGSF70A	33 x 2	27	40	40	26	60	55	16	32	£63.91



TCLA

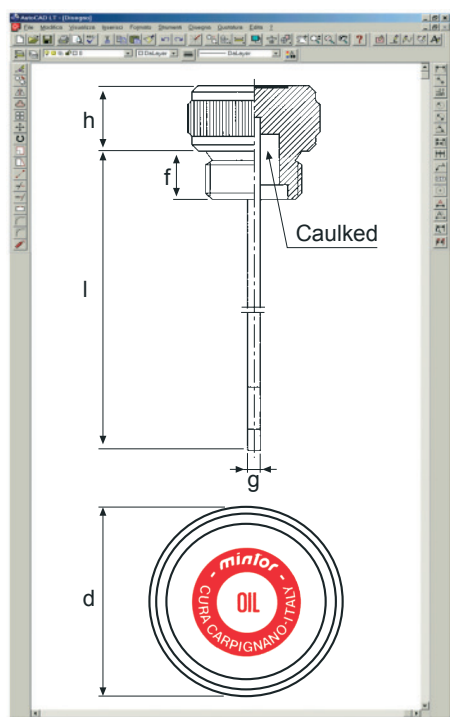
Fillin plug with dipstick

- ▶ Hex-head threaded plug with built-in dipstick.
- ▶ Also available in various min. and max. notches and lengths.



TYPE	CODE	GAS	t	f	l	g	e	PRICE
TCLA1G	1GCLA10A	1/4"	6	8	120	5	17	£5.67
TCLA2G	1GCLA20A	3/8"	8,5	10	170	5	22	£6.28
TCLA3G	1GCLA30A	1/2"	8,5	10	170	5	27	£7.35
TCLA4G	1GCLA40A	3/4"	9,5	12	200	5	32	£10.72
TCLA5G	1GCLA50A	1"	9,5	14	200	5	40	£13.92
TCLA6G	1GCLA60A	1" 1/4	10	15	250	5	50	£20.22
TCLA7G	1GCLA70A	1" 1/2	10	15	250	5	55	£24.43
TCLA8G	1GCLA80A	2"	12	17	250	5	70	£42.38

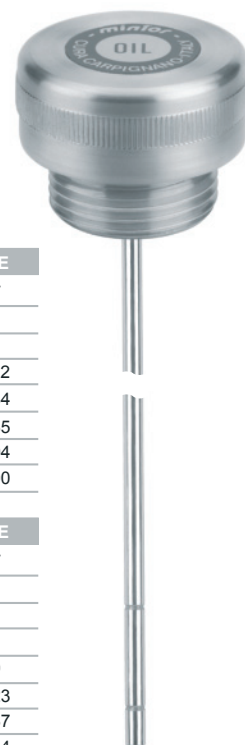
TYPE	CODE	MB series	t	f	l	g	e	PRICE
TCLA1M	1MCLA10A	14 x 1,5	6	8	120	5	17	£5.67
TCLA2M	1MCLA20A	16 x 1,5	7	10	170	5	22	£6.28
TCLA3M	1MCLA30A	18 x 1,5	7	10	170	5	22	£6.82
TCLA4M	1MCLA40A	20 x 1,5	7	10	170	5	24	£7.00
TCLA5M	1MCLA50A	22 x 1,5	7	10	170	5	27	£7.35
TCLA6M	1MCLA60A	24 x 2	8	12	200	5	30	£10.76
TCLA7M	1MCLA70A	30 x 2	8	12	200	5	36	£14.07
TCLA8M	1MCLA80A	33 x 2	8	14	200	5	40	£14.66
TCLA9M	1MCLA90A	42 x 3	10	15	250	5	50	£20.22
TCLA10M	1MCLA95A	48 x 3	10	15	250	5	55	£25.72
TCLA11M	1MCLA99A	60 x 4	12	17	250	5	70	£44.62



TCLA/Z

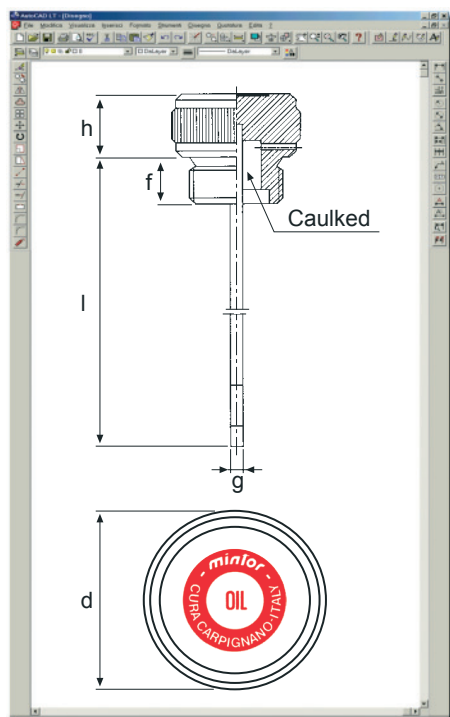
Filling plug with dipstick

- ▶ Threaded plug with knurled round head for hand-tightening.
- ▶ Built-in dipstick.
- ▶ Available on request with various min. and max. notches and lengths.



TYPE	CODE	GAS	h	f	l	g	d	PRICE
TCLA/Z1G	1GLAZ10A	1/4"	12	8	120	5	22	£5.77
TCLA/Z2G	1GLAZ20A	3/8"	13,5	10	170	5	26	£6.41
TCLA/Z3G	1GLAZ30A	1/2"	16,5	10	170	5	30	£7.50
TCLA/Z4G	1GLAZ40A	3/4"	20	12	200	5	40	£10.82
TCLA/Z5G	1GLAZ50A	1"	21,5	14	200	5	45	£14.84
TCLA/Z6G	1GLAZ60A	1" 1/4	20	15	250	5	55	£20.35
TCLA/Z7G	1GLAZ70A	1" 1/2	20	15	250	5	55	£24.94
TCLA/Z8G	1GLAZ80A	2"	20	17	250	5	70	£45.00

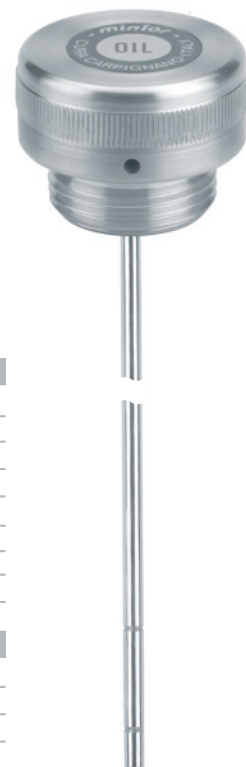
TYPE	CODE	MB series	h	f	l	g	d	PRICE
TCLA/Z1M	1MLAZ10A	14 x 1,5	12	8	120	5	22	£5.77
TCLA/Z2M	1MLAZ20A	16 x 1,5	12	10	170	5	26	£6.41
TCLA/Z3M	1MLAZ30A	18 x 1,5	12	10	170	5	26	£6.69
TCLA/Z4M	1MLAZ40A	20 x 1,5	15	10	170	5	30	£7.28
TCLA/Z5M	1MLAZ50A	22 x 1,5	15	10	170	5	30	£7.50
TCLA/Z6M	1MLAZ60A	24 x 2	15	12	200	5	36	£11.23
TCLA/Z7M	1MLAZ70A	30 x 2	20	12	200	5	42	£14.37
TCLA/Z8M	1MLAZ80A	33 x 2	20	14	200	5	45	£14.84



TCLS/Z

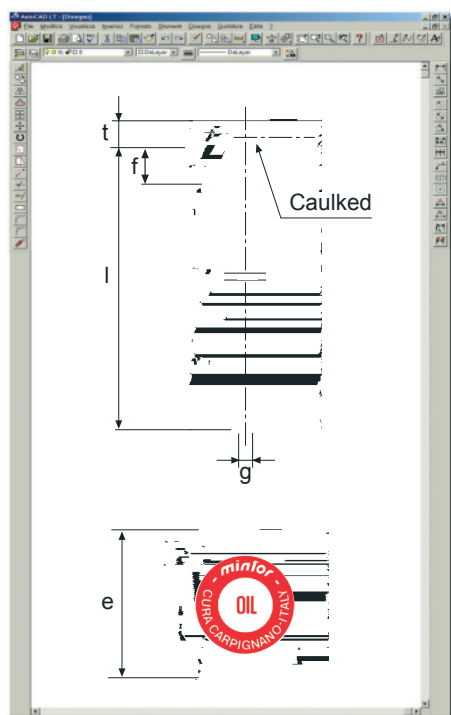
Filling plug with dipstick and breather

- ▶ Threaded plug with knurled round head for hand-tightening.
- ▶ Hole for venting internal pressure.
- ▶ Built-in dipstick.
- ▶ Available in various max. and min. notches and lengths on request.
- ▶ For applications requiring extratight sealing, type LSF is recommended.



TYPE	CODE	GAS	h	f	l	g	d	PRICE
TCLS/Z1G	1GLSZ10A	1/4"	12	8	120	5	22	£6.28
TCLS/Z2G	1GLSZ20A	3/8"	13,5	10	170	5	26	£6.87
TCLS/Z3G	1GLSZ30A	1/2"	16,5	10	170	5	30	£8.10
TCLS/Z4G	1GLSZ40A	3/4"	20	12	200	5	40	£11.38
TCLS/Z5G	1GLSZ50A	1"	21,5	14	200	5	45	£15.48
TCLS/Z6G	1GLSZ60A	1" 1/4	20	15	250	5	55	£21.00
TCLS/Z7G	1GLSZ70A	1" 1/2	20	15	250	5	55	£25.64
TCLS/Z8G	1GLSZ80A	2"	20	17	250	5	70	£45.46

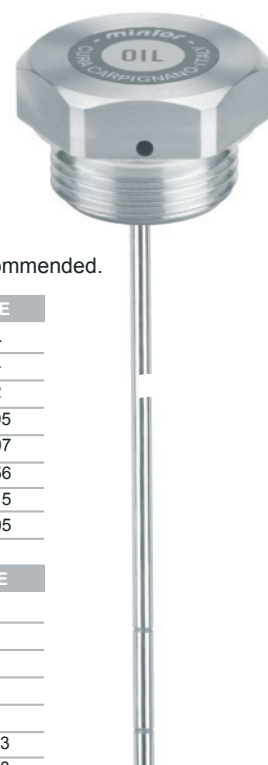
TYPE	CODE	MB series	h	f	l	g	d	PRICE
TCLS/Z1M	1MLSZ10A	14 x 1,5	12	8	120	5	22	£6.28
TCLS/Z2M	1MLSZ20A	16 x 1,5	12	10	170	5	26	£6.87
TCLS/Z3M	1MLSZ30A	18 x 1,5	12	10	170	5	26	£7.28
TCLS/Z4M	1MLSZ40A	20 x 1,5	15	10	170	5	30	£7.89
TCLS/Z5M	1MLSZ50A	22 x 1,5	15	10	170	5	30	£8.10
TCLS/Z6M	1MLSZ60A	24 x 2	15	12	200	5	36	£11.89
TCLS/Z7M	1MLSZ70A	30 x 2	20	12	200	5	42	£15.00
TCLS/Z8M	1MLSZ80A	33 x 2	21,5	14	200	5	45	£15.48



TCLS

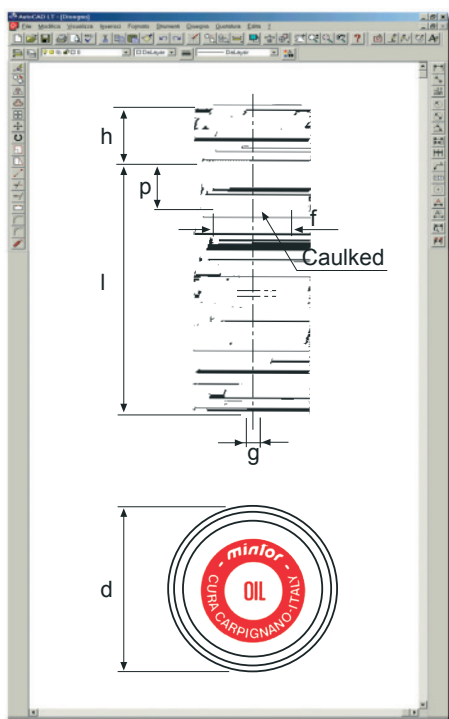
Filling plug with dipstick and breather hole

- ▶ Threaded plug with hex head and breather hole for venting internal pressure.
- ▶ Built-in dipstick.
- ▶ Available with various min. and max. notches and lengths.
- ▶ For applications requiring extra-tight sealing, type LSF is recommended.



TYPE	CODE	GAS	t	f	l	g	e	PRICE
TCLS1G	1GCSL10A	1/4"	6	8	120	5	17	£6.04
TCLS2G	1GCSL20A	3/8"	8	10	170	5	22	£6.64
TCLS3G	1GCSL30A	1/2"	9	10	170	5	27	£7.72
TCLS4G	1GCSL40A	3/4"	9	12	200	5	32	£11.05
TCLS5G	1GCSL50A	1"	12	14	200	5	40	£15.07
TCLS6G	1GCSL60A	1" 1/4	14	15	250	5	50	£20.56
TCLS7G	1GCSL70A	1" 1/2	14	15	250	5	55	£26.15
TCLS8G	1GCSL80A	2"	14	17	250	5	70	£45.05

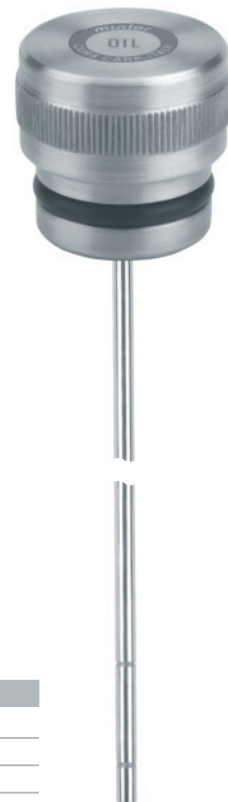
TYPE	CODE	MB series	t	f	l	g	e	PRICE
TCLS1M	1MCSL10A	14 x 1,5	6	8	120	5	17	£6.04
TCLS2M	1MCSL20A	16 x 1,5	8	10	170	5	22	£6.64
TCLS3M	1MCSL30A	18 x 1,5	8	10	170	5	22	£7.00
TCLS4M	1MCSL40A	20 x 1,5	9	10	170	5	24	£7.32
TCLS5M	1MCSL50A	22 x 1,5	9	10	170	5	27	£7.72
TCLS6M	1MCSL60A	24 x 2	9	12	200	5	30	£11.13
TCLS7M	1MCSL70A	30 x 2	10	12	200	5	36	£14.48
TCLS8M	1MCSL80A	33 x 2	12	14	200	5	40	£15.07
TCLS9M	1MCSL90A	42 x 3	14	15	250	5	50	£20.56
TCLS10M	1MCSL95A	48 x 3	14	15	250	5	55	£26.15
TCLS11M	1MCSL99A	60 x 4	14	17	250	5	70	£45.05



ILA

Level indicator

- ▶ O-ring version for smooth holes.
- ▶ Knurled round head.
- ▶ Built-in dipstick.
- ▶ Also available with different min. and max. notches and lengths.

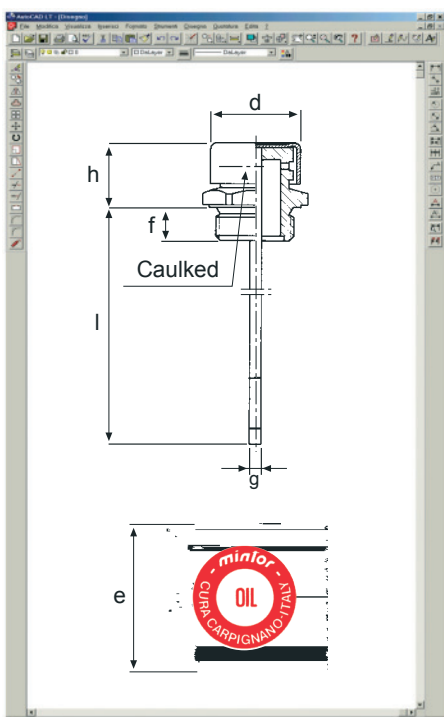


TYPE	CODE	O - R	h	p	l	Ø f ^{M11}	g	d	PRICE
ILA0	1PILA00A	OR 108	12	20	120	12	5	21	£11.28
ILA1	1PILA10A	OR 115	12	9	170	17	5	25	£10.41
ILA2	1PILA20A	OR 119	15	9	170	20	5	30	£11.33
ILA3	1PILA30A	OR 3081	15	11	170	25	5	32	£12.43
ILA4	1PILA40A	OR 3100	18	14	200	30	5	36	£15.18
ILA5	1PILA50A	OR 4112	18	14	200	35	5	40	£18.20

ILAF

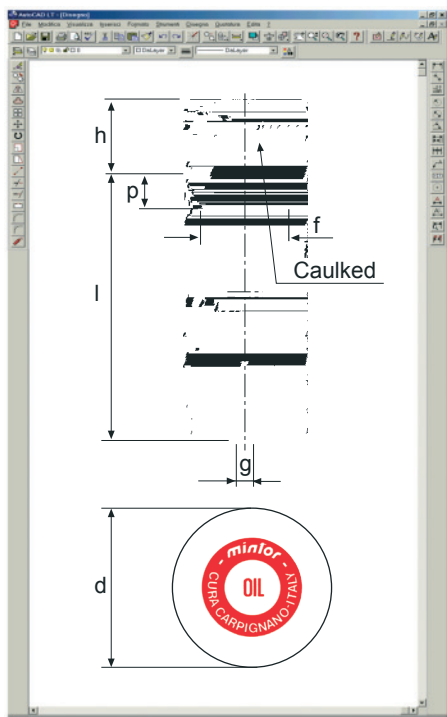
Level indicator with breather

- ▶ Version for threaded holes.
- ▶ Large chamber with cut perpendicular to the axis protected by its cover of galvanized steel that keeps out foreign bodies and vents internal pressure.
- ▶ Built-in dipstick.
- ▶ Also available in various min. and max. notches and lengths.
- ▶ For applications requiring extratight sealing, type LSF is recommended.



TIPO	COD.	GAS	d	h	f	l	g	e	PRICE
ILAF0G	1GIFA00A	1/4"	16,5	17	8	120	5	17	£10.56
ILAF1G	1GIFA10A	3/8"	22	20	9	170	5	22	£10.56
ILAF2G	1GIFA20A	1/2"	26	22	10	170	5	27	£11.26
ILAF3G	1GIFA30A	3/4"	30	24	12	200	5	32	£13.79
ILAF4G	1GIFA40A	1"	38	29	14	200	5	40	£19.36
ILAF5G	1GIFA50A	1" 1/4	50	33	15	250	5	50	£30.79
ILAF6G	1GIFA60A	1" 1/2	55	33	15	250	5	55	£36.31
ILAF7G	1GIFA70A	2"	70	40	17	250	5	70	£71.23

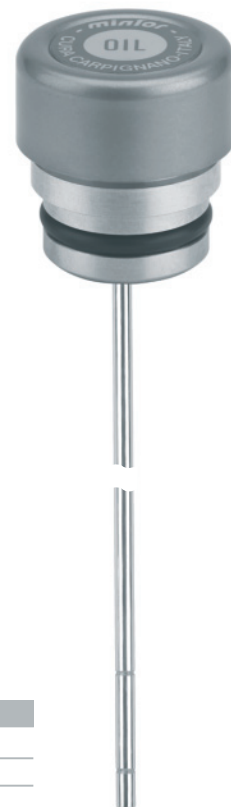
TIPO	COD.	Serie MB	d	h	f	l	g	e	PRICE
ILAF0M	1MIFA00A	14 x 1,5	16,5	17	8	120	5	17	£10.56
ILAF1M	1MIFA10A	16 x 1,5	22	20	9	170	5	22	£10.56
ILAF2M	1MIFA20A	18 x 1,5	22	20	10	170	5	22	£10.76
ILAF3M	1MIFA30A	20 x 1,5	24	21	10	170	5	24	£10.99
ILAF4M	1MIFA40A	22 x 1,5	26	22	10	170	5	27	£11.26
ILAF5M	1MIFA50A	24 x 2	30	24	12	200	5	30	£13.74
ILAF6M	1MIFA60A	30 x 2	30	25	12	200	5	36	£18.85
ILAF7M	1MIFA70A	33 x 2	38	29	14	200	5	40	£19.36
ILAF8M	1MIFA80A	42 x 3	50	33	15	250	5	50	£30.80
ILAF9M	1MIFA90A	48 x 3	55	33	15	250	5	55	£36.31
ILAF10M	1MIFA95A	60 x 4	70	40	17	250	5	70	£71.23



ILAS

Level indicator with breather

- ▶ O-ring version for smooth holes.
- ▶ Large chamber with cut perpendicular to the axis protected by its cover of galvanized steel that keeps out foreign bodies and vents internal pressure.
- ▶ Built-in dipstick.
- ▶ Also available in various min. and max. notches and lengths.

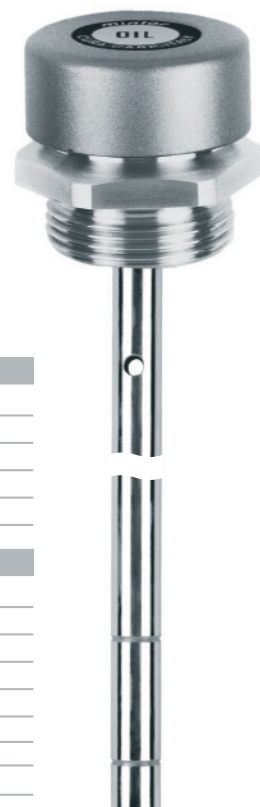
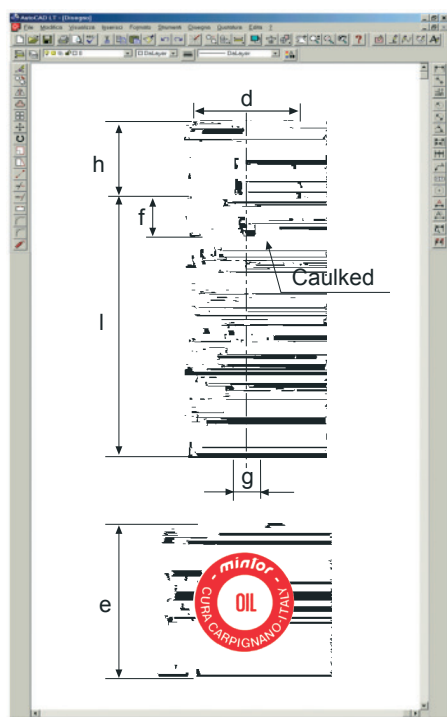


TYPE	CODE	O - R	h	p	l	Øf ^{min}	g	d	PRICE
ILAS1	1PISA10A	OR 115	18	9	170	17	5	22	£11.23
ILAS2	1PISA20A	OR 119	19	9	170	20	5	26	£11.69
ILAS3	1PISA30A	OR 3081	21	11	170	25	5	30	£14.02
ILAS4	1PISA40A	OR 3100	26	14	200	30	5	38	£19.69
ILAS5	1PISA50A	OR 4112	30	14	200	35	5	50	£31.31

LSF

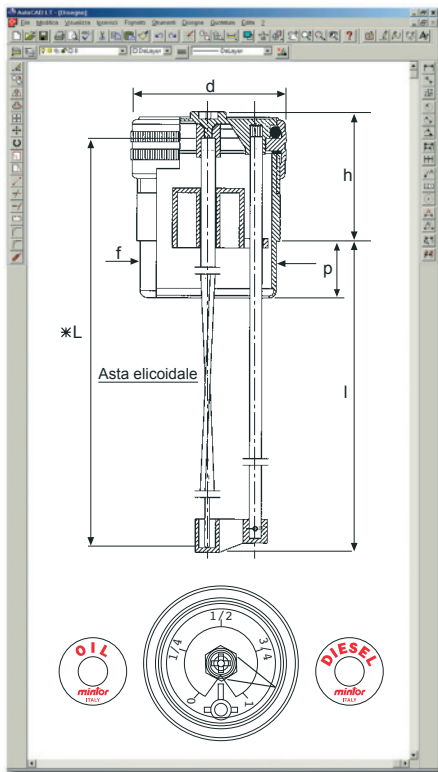
Level indicator with breather

- ▶ Breather plug and level indicator with galvanized-steel cover and suitably designed internal valve calibrated from 0,05 to 0,10 bar, that opens at intervals to vent internal pressure created by fluid turbulence.
- ▶ It is especially recommended for applications on **high-rpm speed-change gears**.



TIPO	COD.	GAS	d	h	f	l	g	e	PRICE
LSF1G	1GLSF10A	1/4"	16,5	17,5	9	170	8	17	£14.00
LSF2G	1GLSF20A	3/8"	22	19	11	170	10	22	£15.45
LSF3G	1GLSF30A	1/2"	26	20	11	170	10	27	£16.72
LSF4G	1GLSF40A	3/4"	30	24	12	200	10	32	£20.07
LSF5G	1GLSF50A	1"	38	29	14	200	10	40	£27.05

TIPO	COD.	Serie MB	d	h	f	l	g	e	PRICE
LSF1M	1MLSF10A	14 x 1,5	16,5	17,5	9	170	8	17	£14.00
LSF2M	1MLSF20A	16 x 1,5	22	19	11	170	10	22	£15.45
LSF3M	1MLSF30A	18 x 1,5	22	19	11	170	10	22	£15.85
LSF4M	1MLSF40A	20 x 1,5	24	20	11	170	10	24	£16.43
LSF5M	1MLSF50A	22 x 1,5	26	20	11	170	10	27	£16.72
LSF6M	1MLSF60A	24 x 2	30	24	12	170	10	30	£19.50
LSF7M	1MLSF70A	30 x 2	30	25	14	200	10	36	£26.37
LSF8M	1MLSF80A	33 x 2	38	29	14	200	10	40	£27.05



Registered model

TRBF/LG

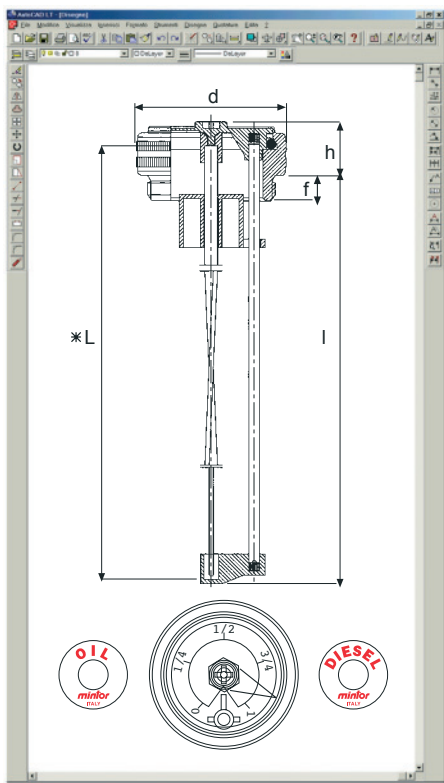
Visual level indicator with float system

- ▶ Composed of aluminium light alloy female cover with visual dial.
- ▶ It is screwed on burnished steel sleeve which is welded onto the machine cover or tank.
- ▶ Complete with float system, it allows an exact and constant indication of the level of fluid inside the tank.
- ▶ Especially designed for application on **agricultural, earth moving, building machinery and hydraulic units.**
- ▶ Temperature during use 80°C max.
- ▶ By request with breather. Avoid contacts with **alcohol and solvents.**
- ▶ **It can be supplied with or without sleeve.**

TYPE	OIL CODE	DIESEL CODE	GAS	L	d	h	p	i	f	PRICE
TRBF/LG1G	1LGBS301	1LGBS305	2"	200	65	56	24	160	57	£75.74
TRBF/LG2G	1LGBS302	1LGBS306	2"	300	65	56	24	260	57	£77.02
TRBF/LG3G	1LGBS303	1LGBS307	2"	350	65	56	24	310	57	£77.59
TRBF/LG4G	1LGBS304	1LGBS308	2"	400	65	56	24	360	57	£78.37

TYPE	OIL CODE	DIESEL CODE	METRIC	L	d	h	p	i	f	PRICE
TRBF/LG1M	1LGBS401	1LGBS405	60 X 2	200	65	56	24	160	57	£75.74
TRBF/LG2M	1LGBS402	1LGBS406	60 X 2	300	65	56	24	260	57	£77.02
TRBF/LG3M	1LGBS403	1LGBS407	60 X 2	350	65	56	24	310	57	£77.59
TRBF/LG4M	1LGBS404	1LGBS408	60 X 2	400	65	56	24	360	57	£78.37

* variable data on customer's request (max. 900 mm)



Registered model

TC/ZLG

Visual level indicator with float system

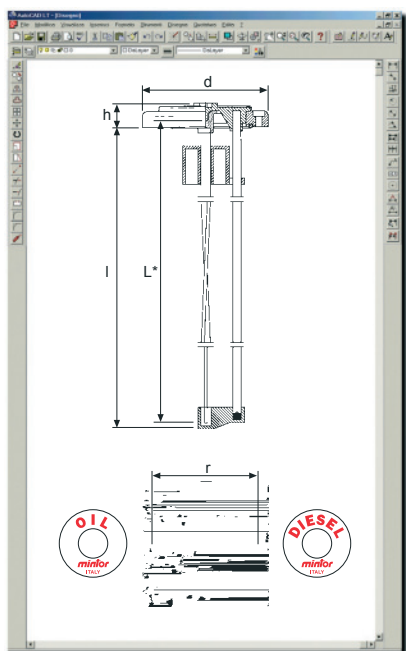
- ▶ Composed of aluminium light alloy male cover with visual dial.
- ▶ Complete with float system, it allows an exact and constant indication of the level of fluid inside the tank.
- ▶ Especially designed for application on **agricultural, earth moving, building machinery and hydraulic units.**
- ▶ Supplied with O-ring.
- ▶ Temperature during use 80°C max.
- ▶ By request with breather.
- ▶ Avoid contacts with **alcohol and solvents.**

TYPE	OIL CODE	DIESEL CODE	GAS	L	d	h	f	i	PRICE
TC/ZLG1G	1LGMT304	1LGMT300	2"	200	70	25	12	192	£68.50
TC/ZLG2G	1LGMT305	1LGMT301	2"	300	70	25	12	292	£69.70
TC/ZLG3G	1LGMT306	1LGMT302	2"	350	70	25	12	342	£70.31
TC/ZLG4G	1LGMT307	1LGMT303	2"	400	70	25	12	392	£70.96

TYPE	OIL CODE	DIESEL CODE	METRIC	L	d	h	f	i	PRICE
TC/ZLG1M	1LGMT404	1LGMT400	60 X 2	200	70	25	12	192	£68.50
TC/ZLG2M	1LGMT405	1LGMT401	60 X 2	300	70	25	12	292	£69.70
TC/ZLG3M	1LGMT406	1LGMT402	60 X 2	350	70	25	12	342	£70.31
TC/ZLG4M	1LGMT407	1LGMT403	60 X 2	400	70	25	12	392	£70.96

* variable data on customer's request (max. 900 mm)





Registered model

LGF68

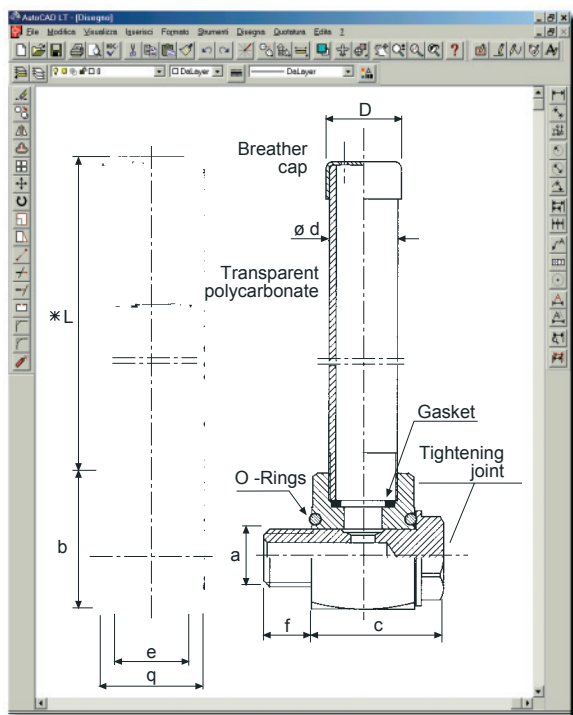
Flanged level indicator with float system

- ▶ Composed of aluminium light alloy flanged cover with orientable dial.
- ▶ Applicable to holes 50 to 54 mm.
- ▶ Complete with float system, it allows an exact and constant indication of the level of fluid inside the tank.
- ▶ Supplied with O-ring and allen screw M4 for the fixing.
- ▶ Especially designed for application on **agricultural, earth moving, building machinery and hydraulic units.**
- ▶ Temperature during use 80° C max.
- ▶ Avoid contacts with **alcohol and solvents.**
- ▶ On request, provided in different colours.



TYPE	OIL CODE	GASOIL CODE	L*	d	h	l	r	PRICE
LGF681	1LGF6801	1LGF6806	200	80	16	203	68	£81.80
LGF682	1LGF6802	1LGF6807	250	80	16	253	68	£82.56
LGF683	1LGF6803	1LGF6808	300	80	16	303	68	£83.20
LGF684	1LGF6804	1LGF6809	350	80	16	353	68	£84.05
LGF685	1LGF6805	1LGF6810	400	80	16	403	68	£84.87

* variable data on customer's request (max. 900 mm)



GLVS

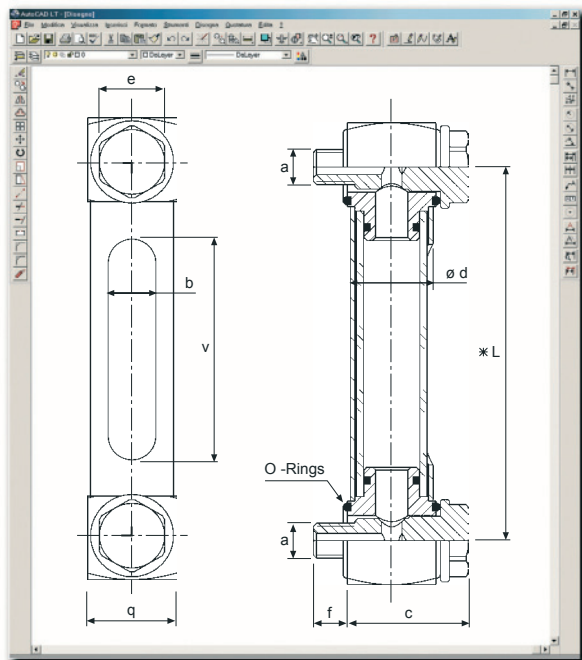
Vertical level indicator with single thread

- ▶ Vertical level indicator with single thread to control fluid level.
- ▶ Realized with black anodized aluminium light alloy little blocks and transparent tube; available completed with O-Rings.
- ▶ Avoid contact with **petrol, benzine, alcohol, petroleum, toluol and glycol.**



TYPE	CODE	a	L*	b	e	q	D	d	c	f	PRICE
GLVS1G	1GLVS10A	3/8"	50	40	22	30	22	20	43	10	£39.88
GLVS2G	1GLVS20A	3/8"	100	40	22	30	22	20	43	10	£41.44
GLVS3G	1GLVS30A	3/8"	150	40	22	30	22	20	43	10	£43.51
GLVS4G	1GLVS40A	3/8"	200	40	22	30	22	20	43	10	£45.64

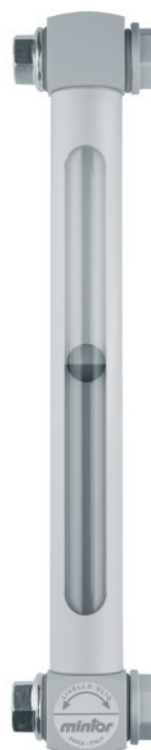
* variable data on customer's request (max. 200 mm)



GLVX NEW

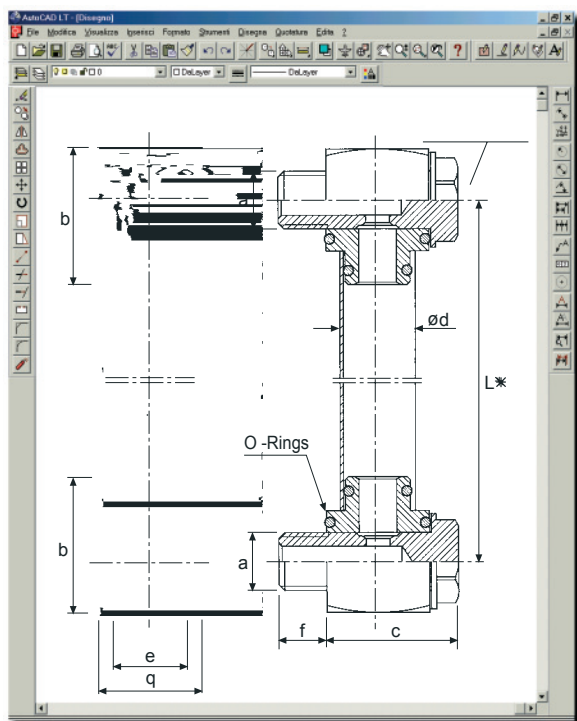
Vertical level indicator with double thread, with pyrex glass and protection

- ▶ Vertical level indicator with double thread to control fluid level.
- ▶ Realized with aluminium light alloy little blocks, transparent tube made in pyrex glass and Viton O-Rings.
- ▶ Suitable for low and high temperatures - 20°C + 200°C max.
- ▶ Supplied complete with protection.



TYPE	CODE	a	L*	e	q	d	c	f	v	b	PRICE
GLVX1G	1GLVX10A	3/8"	127	22	30	28	43	10	75	16	£96.16
GLVX2G	1GLVX20A	3/8"	254	22	30	28	43	10	202	16	£117.71
GLVX1M	1MLVX10A	10x1,5	127	22	30	28	43	10	75	16	£96.16

TYPE	CODE	a	L*	e	q	d	c	f	v	b	PRICE
GLVX2M	1MLVX20A	10x1,5	254	22	30	28	43	10	202	16	£117.71
GLVX3M	1MLVX30A	12x1,75	127	22	30	28	43	10	75	16	£96.16
GLVX4M	1MLVX40A	12x1,75	254	22	30	28	43	10	202	16	£117.71



GLV

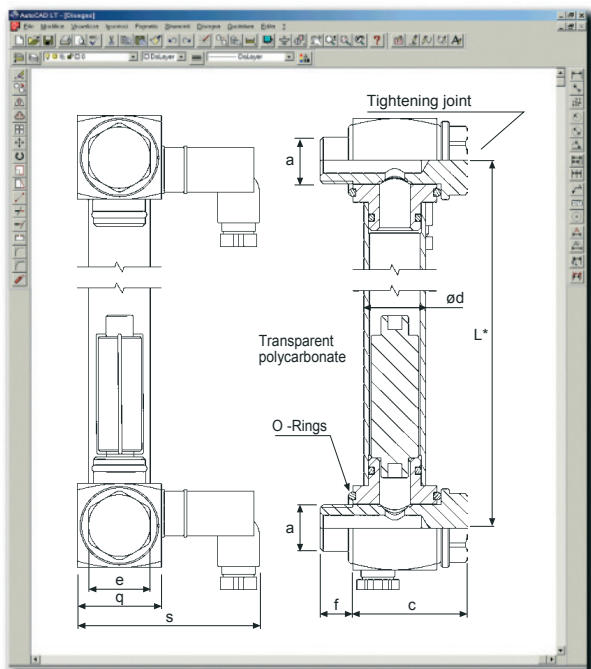
Vertical level indicator with double thread

- ▶ Vertical level indicator with double thread to control fluid level.
- ▶ Realized with black anodized aluminium light alloy little blocks and transparent tube; available completed with O-Rings.
- ▶ Avoid contact with **petrol, benzine, alcohol, petroleum, toluol and glycol.**



TYPE	CODE	a	L*	b	e	q	d	c	f	PRICE
GLV1G	1GGLV10A	3/8"	500	40	22	30	22	43	10	£81.05
GLV2G	1GGLV20A	3/8"	1000	40	22	30	22	43	10	£95.96
GLV3G	1GGLV30A	3/8"	1500	40	22	30	22	43	10	£114.14
GLV4G	1GGLV40A	3/8"	2000	40	22	30	22	43	10	£132.34

*



GLVE

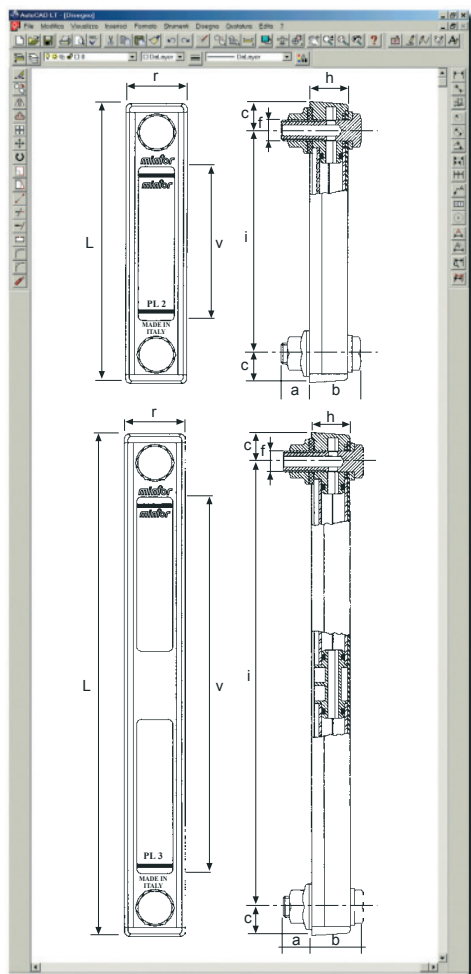
Vertical level indicator with double electrical contact

- ▶ Used for the control of the fluid for tanks.
- ▶ The electrical sensor indicates the attainment of the MIN and MAX level of the fluid. The contacts are normally opened, they close to the attainment of the MIN or MAX level.
- ▶ Available with length **variable**, on request of customer, from a minimum of 200 mm to a maximum of 2.000 mm.
- ▶ Supplied complete of connectors.
- ▶ Electrical characteristics:
Maximum load on the electrical contacts:
AC till 125 Volt – 1,0 A – 10 VA, DC till 100 Volt – 1,0 A – 10 VA.
- ▶ For further information please demand the electrical plan. Avoid contacts with **alcohol, trichloroethylene, solvents, petrol and petroleum.**



TYPE	CODE	a	L*	e	q	d	c	f	s	PRICE	TYPE	CODE	a	L*	e	q	d	c	f	s	PRICE
GLVE1G	1GLVE10A	3/8"	500	22	30	22	43	10	65	£148.09	GLVE3G	1GLVE30A	3/8"	1500	22	30	22	43	10	65	£179.06
GLVE2G	1GLVE20A	3/8"	1000	22	30	22	43	10	65	£166.40	GLVE4G	1GLVE40A	3/8"	2000	22	30	22	43	10	65	£193.61

* variable data on customer's request (max. 2.000 mm)



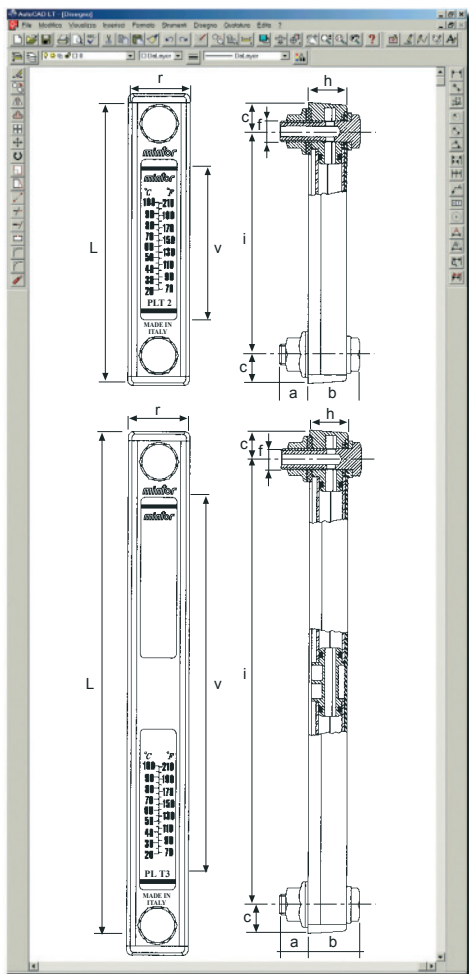
PL

Vertical level indicator

- ▶ Used for checking fluid level in large tanks.
- ▶ Complete with seals, screws and anchor nuts.
- ▶ Easy to assemble, it gives a tolerance of 0,5 mm along the interhole axis, maintaining a perfect seal.
- ▶ Avoid contact with **alcohol, toluol and glycol.**



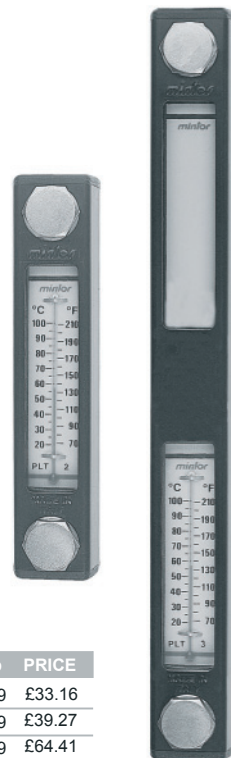
TYPE	CODE	L	r	v	c	i	f	h	a	b	PRICE
PL1	1VPLV10A	109	34	37	16,5	76	M 10	21,5	11	29	£28.23
PL2	1VPLV20A	160	34	88	16,5	127	M 12	21,5	16	29	£33.40
PL3	1VPLV30A	287	34	215	16,5	254	M 12	21,5	16	29	£58.51



PLT

Vertical level indicator with thermometer

- ▶ Used for checking fluid level in large tanks.
- ▶ Complete with seals, thermometer, screws and anchor nuts.
- ▶ Easy to assemble, it gives a tolerance of 0,5 mm along the interhole axis, maintaining a perfect seal.
- ▶ Avoid contact with **alcohol, toluol and glycol**.

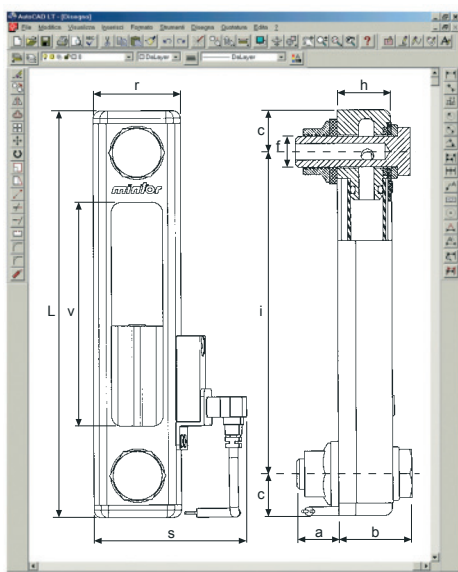


TYPE	CODE	L	r	v	c	i	f	h	a	b	PRICE
PLT1	1VPLT10A	109	34	37	16,5	76	M 10	21,5	11	29	£33.16
PLT2	1VPLT20A	160	34	88	16,5	127	M 12	21,5	16	29	£39.27
PLT3	1VPLT30A	287	34	215	16,5	254	M 12	21,5	16	29	£64.41

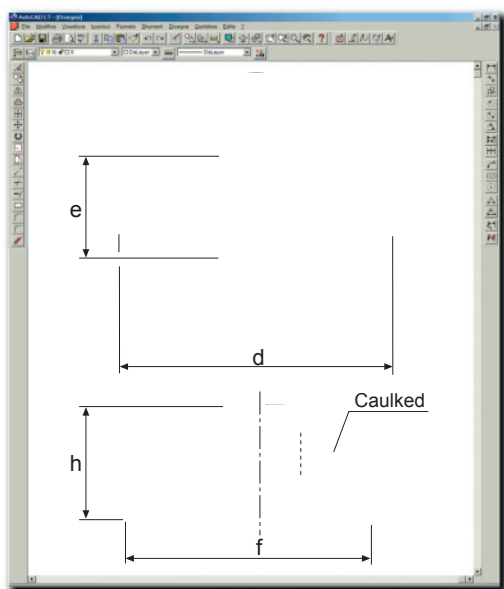
PLE

Vertical level indicator with electrical contact

- ▶ Used for the control of the fluid for tanks.
- ▶ The electrical sensor indicates through a visual signal the attainment of the minimal level of the fluid.
- ▶ The contacts are normally opened, they close to the attainment of the minimal level.
- ▶ Supplied complete of connector and 2,5 mt cable.
- ▶ Electrical characteristics:
Electrical protection: as per norm IP67 -
Maximum load on the electrical contacts:
AC till 250 Volt - 0,5 Ampère, DC till 250 Volt - 0,5 Ampère. Concurred liquid specific weight: min. 0,80 kg/dm³.
- ▶ For further information pleas demand the electrical plan.
- ▶ Avoid contacts with **alcohol, trichloroethylene and solvents**.



TYPE	CODE	L	r	v	c	i	f	h	a	b	s	PRICE
PLE2	1VPLE20A	160	34	88	16,5	127	M 12	21,5	16	29	59	£132.70
PLE3	1VPLE30A	287	34	215	16,5	254	M 12	21,5	16	29	59	£157.71



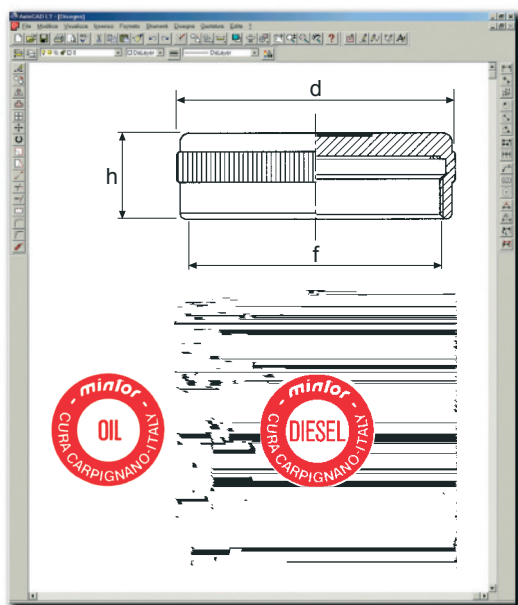
TFES

Female threaded plug with breather

- ▶ Aluminium plug with inside thread and breather pipe, complete with gasket, suitable for large tanks.
- ▶ Handy grip and possibility of locking with Allen wrench.
- ▶ On request, with anodic treatment.



TYPE	CODE	f	d	h	e	PRICE
TFES1M	1MTFE10A	80 x 2	95	40	36	£28.59



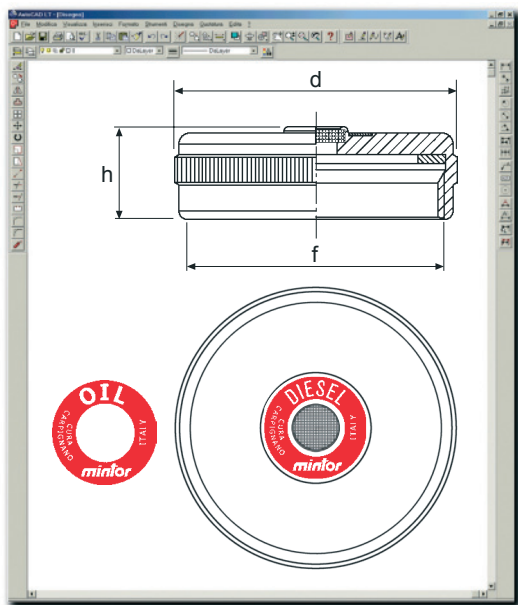
TFE/Z

Female threaded plug

- ▶ Plug with internal thread in aluminium alloy for applications on sleeves with male thread.
- ▶ Optionally available with different wordings.



TYPE	OIL CODE	DIESEL CODE	f	d	h	PRICE
TFE/Z0G	1WCPA002	1WCPA003	1"	40	20	£11.10
TFE/Z1G	1WCPA102	1WCPA103	1" 1/4	50	20	£16.30
TFE/Z2G	1WCPA202	1WCPA203	1" 1/2	55	20	£16.30
TFE/Z3G	1WCPA302	1WCPA303	2"	65	20	£17.26
TFE/Z4M	1WCPA402	1WCPA403	60 x 2	65	20	£17.26



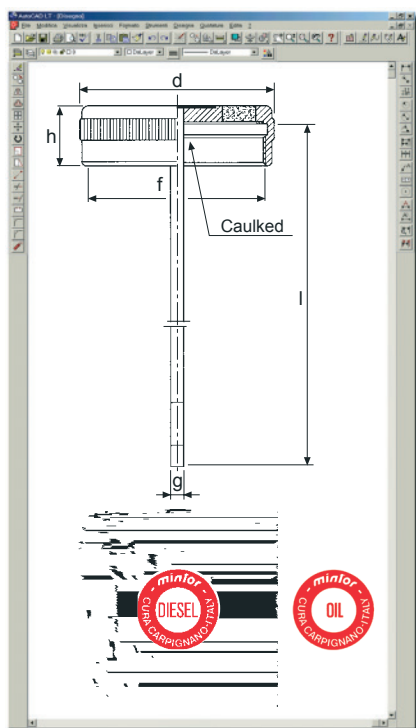
TFES/Z

Female threaded plug with breather

- ▶ Plug with internal thread in aluminium alloy for applications on sleeves with male thread.
- ▶ The spherical bronze filter of 40 microns built into the plug vents internal pressure and keeps out foreign bodies during the intake stroke.



TYPE	OIL CODE	DIESEL CODE	f	d	h	PRICE
TFES/Z0G	1WFSZ002	1WFSZ003	1"	40	20	£12.56
TFES/Z1G	1WFSZ102	1WFSZ103	1" 1/4	50	22	£13.22
TFES/Z2G	1WFSZ202	1WFSZ203	1" 1/2	55	22	£17.81
TFES/Z3G	1WFSZ302	1WFSZ303	2"	65	22	£18.76
TFES/Z4M	1WFSZ402	1WFSZ403	60 x 2	65	22	£18.76



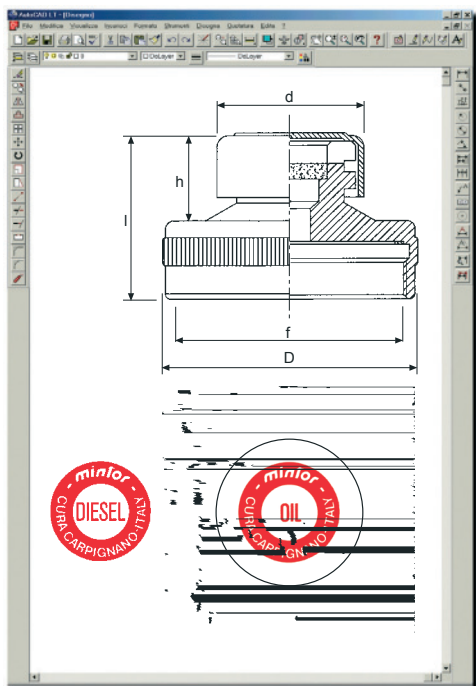
TFES/ZA

Plug with female thread, breather and dipstick

- ▶ Plug with internal thread in aluminium alloy for applications on sleeves with male thread.
- ▶ The spherical bronze filter of 40 microns built into the plug vents internal pressure and keeps out foreign bodies during the intake stroke.
- ▶ Built-in dipstick.
- ▶ On request, in different lengths and with minimum and maximum notches.



TYPE	OIL CODE	DIESEL CODE	f	d	h	l	g	PRICE
TFES/ZA0G	1WFZA002	1WFZA003	1"	40	20	200	5	£20.28
TFES/ZA1G	1WFZA102	1WFZA103	1" 1/4	50	20	250	5	£22.20
TFES/ZA2G	1WFZA202	1WFZA203	1" 1/2	55	20	250	5	£22.20
TFES/ZA3G	1WFZA302	1WFZA303	2"	65	20	250	5	£24.02
TFES/ZA4M	1WFZA402	1WFZA403	60 x 2	65	20	250	5	£34.32



TFES/ZF

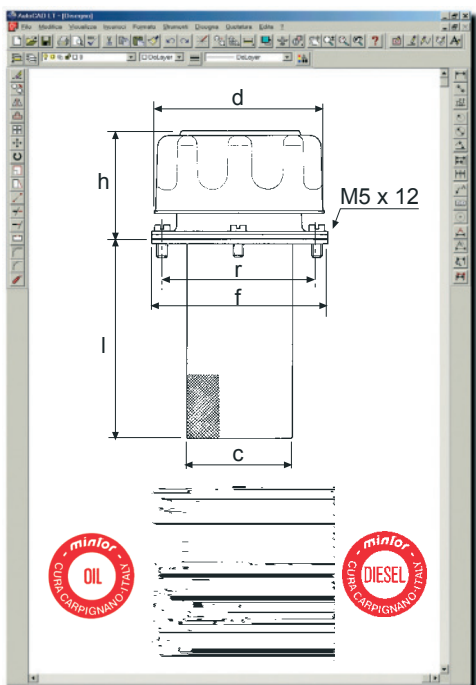
Female threaded plug with breather

- ▶ Plug with internal thread in aluminium alloy for applications on sleeves with male thread.
- ▶ A galvanized-steel cover and a spherical 40 microns bronze filter vent internal pressure and keep out foreign bodies during the intake stroke.
- ▶ Especially suitable in dusty environments and for application on **agricultural and building machinery**.



Registered model

TYPE	OIL CODE	DIESEL CODE	f	d	h	l	D	PRICE
TFES/ZF1G	1WCPF101	1WCPF102	1"	30	21	41	40	£20.46
TFES/ZF2G	1WCPF201	1WCPF202	1" 1/2	38	21	41	55	£26.87
TFES/ZF3G	1WCPF301	1WCPF302	2"	38	21	41	65	£32.53
TFES/ZF4M	1WCPF401	1WCPF402	60 x 2	38	21	41	65	£32.53



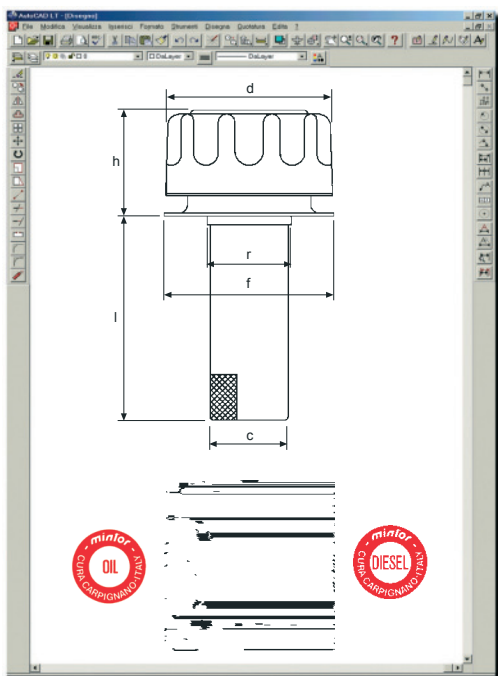
TCAR

Filling plug

- ▶ With breather and trap for oil pre-filtering, made entirely of chromed steel with bayonet closure.
- ▶ Supplied with screws and seals for immediate use.
- ▶ The air filter contained in the plug is available at 10 microns and 40 microns.



TYPE 10 μ	CODE	LT 1'	d	h	l	Ø r	f	c	N. of screws	PRICE
TCAR	1046 C 65 1VTAR10A - Trademark	175	46	45	65	41	52	29	3	£26.92
TCAR	1080 C 80 1VTAR20A - Trademark	500	80	52	80	73	83	50	6	£32.02
TCAR	1080 C150 1VTAR30A - Trademark	500	80	52	150	73	83	50	6	£35.90
TYPE 40 μ	CODE	LT 1'	d	h	l	r	f	c	N. of screws	PRICE
TCAR	4046 C 65 1VTAR40A - Trademark	250	46	45	65	41	52	29	3	£23.87
TCAR	4080 C 80 1VTAR50A - Trademark	700	80	52	80	73	83	50	6	£26.48
TCAR	4080 C150 1VTAR60A - Trademark	700	80	52	150	73	83	50	6	£31.64



TCARS

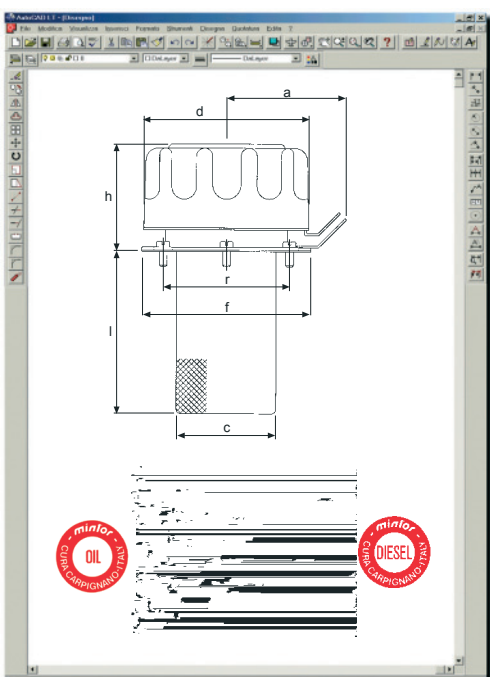
Filling plug with flange to be welded

- ▶ With breather and trap oil pre-filtering.
- ▶ Made entirely of chromed steel with bayonet closure.
- ▶ Supplied with flange to be welded on the tank.
- ▶ The filter inside the plug is available with 10 or 40 microns.



TYPE 10 μ				CODE	LT 1'	d	h	l	r	f	c	PRICE
TCARS	1080	C 100	Label	1VTAS30A	500	80	52	100	41,5	83	38	£36.46
TCARS	1080	C 100	OIL	1VTAS302	500	80	52	100	41,5	83	38	£36.46
TCARS	1080	C 100	DIESEL	1VTAS303	500	80	52	100	41,5	83	38	£36.46

TYPE 40 μ				CODE	LT 1'	d	h	l	r	f	c	PRICE
TCARS	4080	C 100	Label	1VTAS50A	700	80	52	100	41,5	83	38	£29.38
TCARS	4080	C 100	OIL	1VTAS502	700	80	52	100	41,5	83	38	£29.38
TCARS	4080	C 100	DIESEL	1VTAS503	700	80	52	100	41,5	83	38	£29.38



TCAR/LC

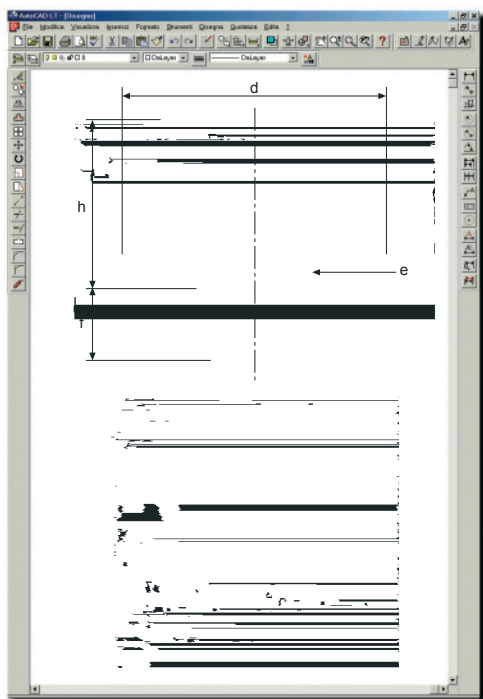
Filling plug with lock-holder

- ▶ With breather and trap for oil pre-filtering.
- ▶ Made entirely of chromed steel with bayonet closure and lock-holder.
- ▶ Supplied with slot screws M6 and seals for the fixing.
- ▶ The air filter contained in the plug is available at 10 microns and 40 microns.
- ▶ On request, provided with lock.



TYPE 10 μ				CODE	LT 1'	d	h	l	r	f	c	a	n. screws	PRICE
TCAR/LC	1080	C 80	1VTLC10A	- Label	500	80	52	80	73	83	50	70	6	£36.41
TCAR/LC	1080	C 150	1VTLC20A	- Label	500	80	52	150	73	83	50	70	6	£41.54

TYPE 40 μ				CODE	LT 1'	d	h	l	r	f	c	a	n. screws	PRICE
TCAR/LC	1080	C 80	1VTLC30A	- Label	700	80	52	80	73	83	50	70	6	£31.42
TCAR/LC	1080	C 150	1VTLC40A	- Label	700	80	52	150	73	83	50	70	6	£36.54



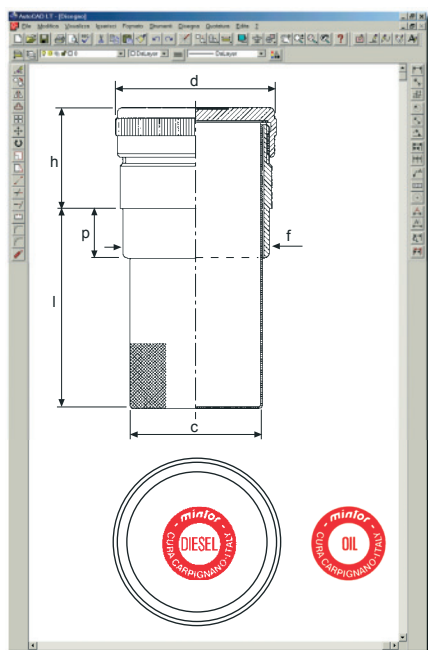
TCARF

Filling plug with threaded mount

- ▶ Made entirely of chromed steel with threaded mount and breather.
- ▶ The air filter contained in the plug is available at 10 microns and 40 microns.



TYPE 10 μ	GAS	CODE	LT 1'	d	h	f	e	PRICE	TYPE 40 μ	GAS	CODE	LT 1'	d	h	f	e	PRICE		
TCARF	1046	1/4"	2VTAF60A	175	46	41	10	17	£18.87	TCARF	4046	1/4"	2VTAF10A	250	46	41	10	17	£18.12
TCARF	1046	3/8"	2VTAF70A	175	46	41	12	19	£19.61	TCARF	4046	3/8"	2VTAF20A	250	46	41	12	19	£18.83
TCARF	1046	1/2"	2VTAF80A	175	46	43	14	22	£21.00	TCARF	4046	1/2"	2VTAF30A	250	46	43	14	22	£20.20
TCARF	1080	3/4"	2VTAF90A	500	80	54	17	30	£27.63	TCARF	4080	3/4"	2VTAF40A	700	80	54	17	30	£26.85
TCARF	1080	1"	2VTAF95A	500	80	55	19	36	£39.12	TCARF	4080	1"	2VTAF50A	700	80	55	19	36	£38.20



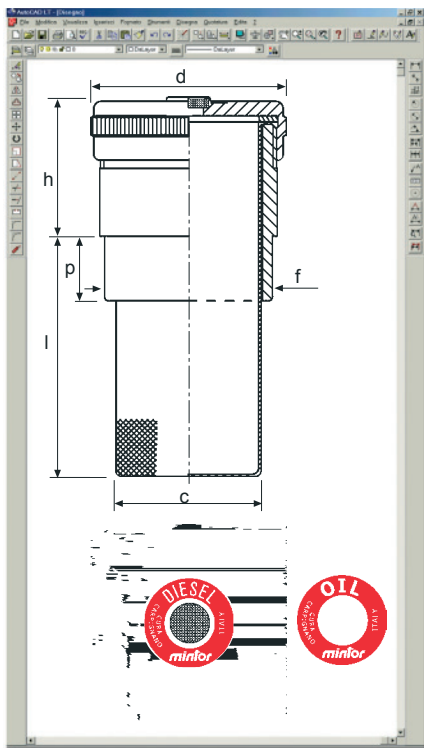
TRBF

Hermetic filling plug

- ▶ Composed of aluminium alloy female cover with internal thread.
- ▶ It is screwed on UNI C30 burnished steel sleeve which is welded onto the machine tank.
- ▶ Complete with extractable steel cartridge which has a filtration degree of 800 microns.



TYPE	OIL CODE	DIESEL CODE	GAS	d	h	p	l	c	f	PRICE
TRBF1G	1SBRF102	1SBRF103	1"	40	35	15	60	25	30	£22.00
TRBF2G	1SBRF202	1SBRF203	1" 1/2	55	37	15	85	40	45	£28.21
TRBF3G	1SBRF302	1SBRF303	2"	65	45	24	85	50	57	£33.14
TYPE	OIL CODE	DIESEL CODE	METRIC	d	h	p	l	c	f	PRICE
TRBF4M	1SBRF402	1SBRF403	60 x 2	65	45	24	85	50	57	£33.14



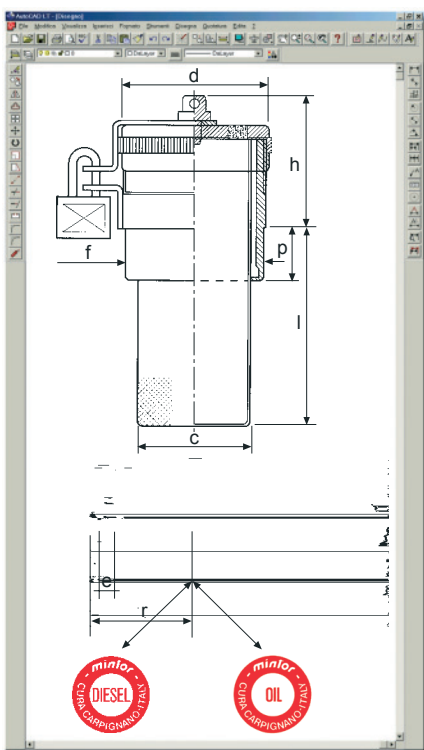
TRBFS

Filling plug with breather

- ▶ Composed of aluminium alloy female cover with internal thread, with 40 microns spherical bronze filter.
- ▶ It is screwed on UNI C30 burnished steel sleeve which is welded on the machine cover or tank.
- ▶ Provided with extractable steel cartridge which has a filtration degree of 800 microns.



TYPE	OIL CODE	DIESEL CODE	GAS	d	h	p	l	c	f	PRICE
TRBFS1G	1SBSF102	1SBSF103	1"	40	35	15	60	25	30	£23.79
TRBFS2G	1SBSF202	1SBSF203	1" 1/2	55	37	15	85	40	45	£30.09
TRBFS3G	1SBSF302	1SBSF303	2"	65	45	24	85	50	57	£35.16
TYPE	OIL CODE	DIESEL CODE	METRIC	d	h	p	l	c	f	PRICE
TRBFS4M	1SBSF402	1SBSF403	60 x 2	65	45	24	85	50	57	£35.16



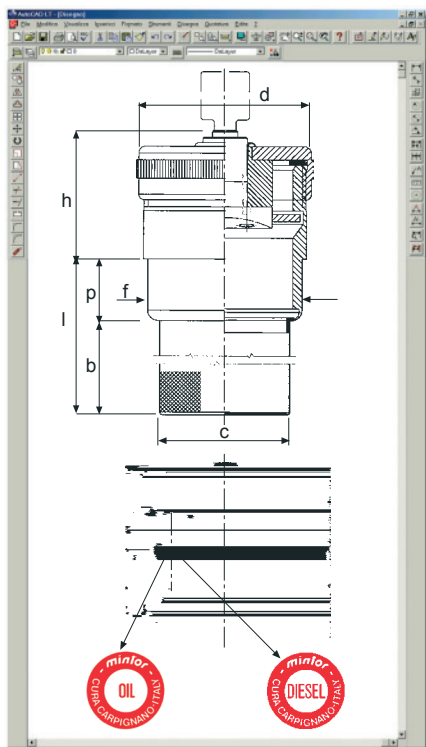
TRBFSC

Filling plug with breather and lock-holder

- ▶ Composed of a UNI C30 burnished steel sleeve that is welded on the machine cover or tank.
- ▶ Provided with extractable steel cartridge which has a filtration degree of 800 microns.
- ▶ Female cover with 40 microns spherical bronze filter and, on request, provided with lock.



TYPE	OIL CODE	DIESEL CODE	GAS	d	h	p	l	c	f	r	e	PRICE
TRBFSC2G	1BRFC201	1BRFC202	1" 1/2	55	51	15	85	40	45	45	6	£53.92
TRBFSC3G	1BRFC301	1BRFC302	2"	65	58	24	85	50	57	50	6	£55.75
TYPE	OIL CODE	DIESEL CODE	METRIC	d	h	p	l	c	f	r	e	PRICE
TRBFSC4M	1BRFC401	1BRFC402	60 x 2	65	58	24	85	50	57	50	6	£55.75



TRBF/ZK

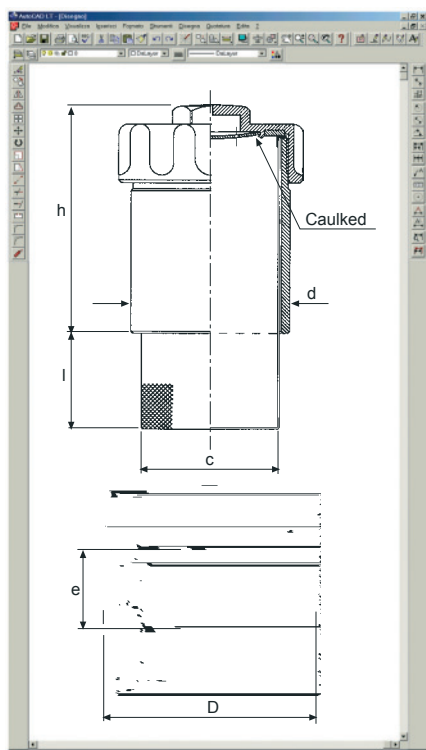
Hermetic filling plug with key lock

- ▶ Composed of light alloy female cover with internal thread with key lock.
- ▶ It is screwed on UNI C30 burnished steel sleeve which is welded onto the machine tank.
- ▶ Complete with extractable steel cartridge which has a filtration degree of 800 microns.



TYPE	OIL CODE	DIESEL CODE	GAS	d	h	f	p	c	b	l	PRICE
TRBF/ZK3G	1KBRF301	1KBRF303	2"	65	48	57	23	49	64	87	£95.72

TYPE	OIL CODE	DIESEL CODE	METRIC	d	h	f	p	c	b	l	PRICE
TRBF/ZK4M	1KBRF401	1KBRF403	60 x 2	65	48	57	23	49	64	87	£95.72



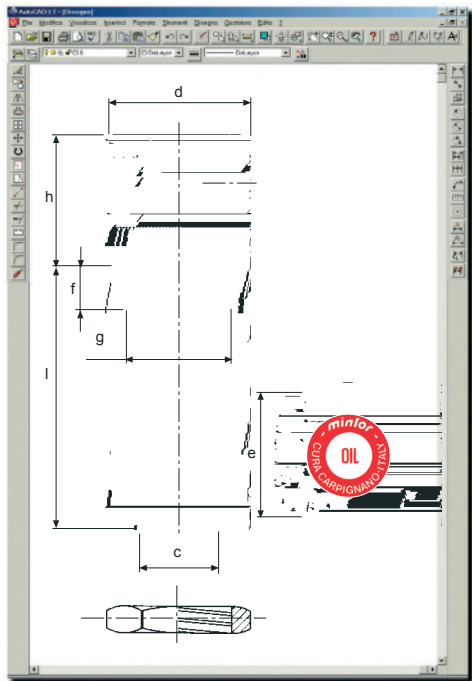
TRBFS/A

Filling plug with breather

- ▶ Composed of duraluminium female plug and UNI C30 burnished steel sleeve which can be welded on large size machine cover or tanks.
- ▶ It is provided with breather device, with an extractable 800-microns filter cartridge made of steel.
- ▶ On request, supplied with sleeve length 50 mm.



TYPE	CODE	METRIC	d	h	l	c	D	e	PRICE
TRBFS/A2M	1SBSF50A	80 x 2	82	118	49	70	95	36	£69.97



TRTCSF/Z

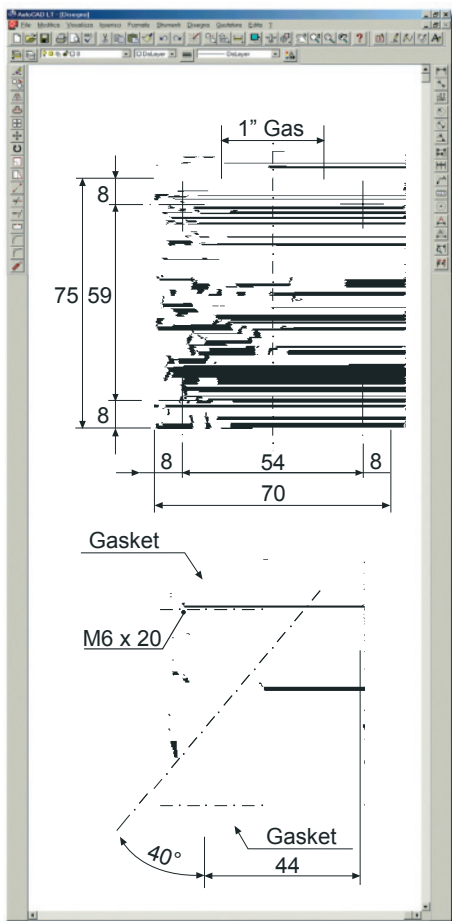
Breather and filling plug

- ▶ Threaded plug with extractable filter cartridge in galvanized-steel.
- ▶ The built-in filter has a filtration degree of 40 microns.
- ▶ Optionally available with anchor nut for unthreaded hole, suitable for applications on **Hydraulics units, Machine-tools and Earth-moving machinery.**



TYPE	CODE	GAS	d	g	f	h	l	c	e	PRICE
TRTCSF/Z5G	1FSFZ502	1"	45	33,3	14	42	82	25	40	£33.69
TRTCSF/Z8G	1FSFZ802	2"	70	59,4	17	53	113	49	70	£93.60

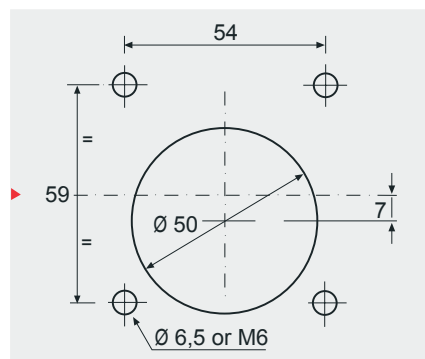
PLUGS ON INCLINED FLANGE



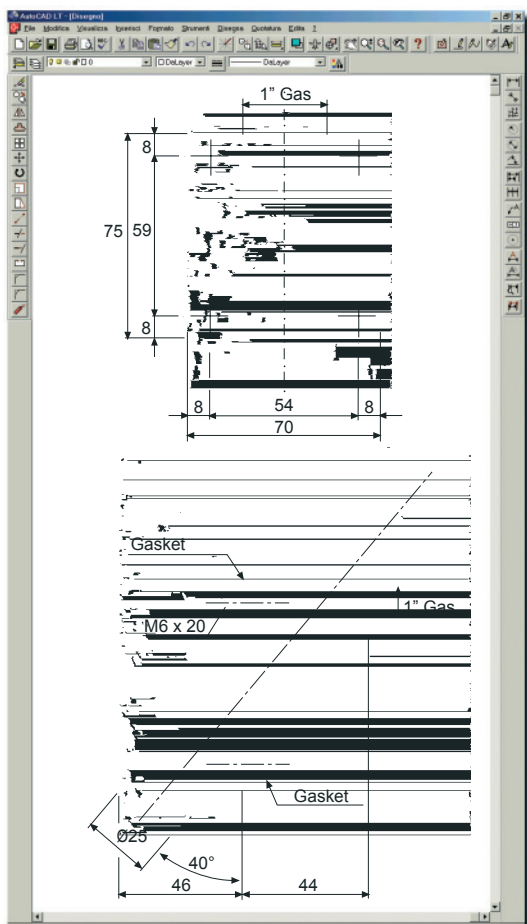
FLGV

Inclined flange for side applications

- ▶ Made of aluminium, supplied complete with washers and screws for receiving the different types of filling, filling with breather, breather filling and level dipsticks, etc. see pages 34, 35 and 36.
- ▶ For a rapid and economic application till a maximum thickness of 6 mm, it is advisable to conform to the boring jig indicated below.



TYPE	CODE	PRICE
FLGV5G	1YFL0003	£24.66



TFSI

Breather plugs on inclined flange

▶ Alternative breather plugs group are available to apply on inclined flange when it is necessary the side oil filling.



TYPE	CODE	PRICE
TFSI5G	1IGTSF0A	£48.41



TYPE	CODE	PRICE
TCFI5G	1IGTCF0A	£41.40



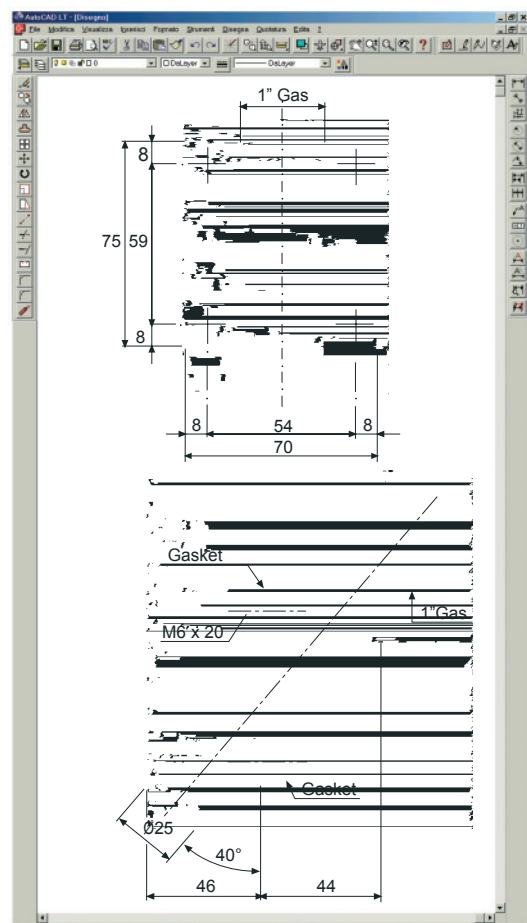
TYPE	CODE	PRICE
TCSF/ZI5G	1IGSFZ0A	£46.84



TYPE	CODE	PRICE
TCF/FI5G	1IGF/F0A	£41.56



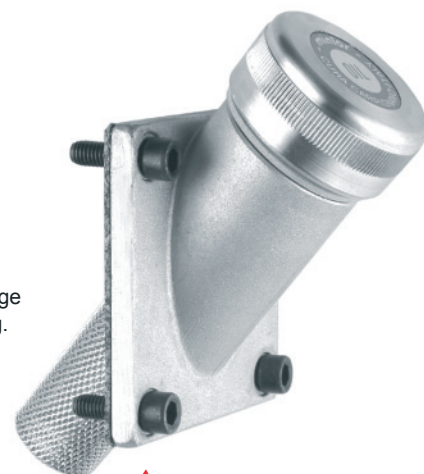
TYPE	CODE	PRICE
TCF/ZI5G	1IGCFZ0A	£43.10



TCI

Filling plugs on inclined flange

▶ Alternative filling plugs group are available to apply on inclined flange when it is necessary the side oil filling.



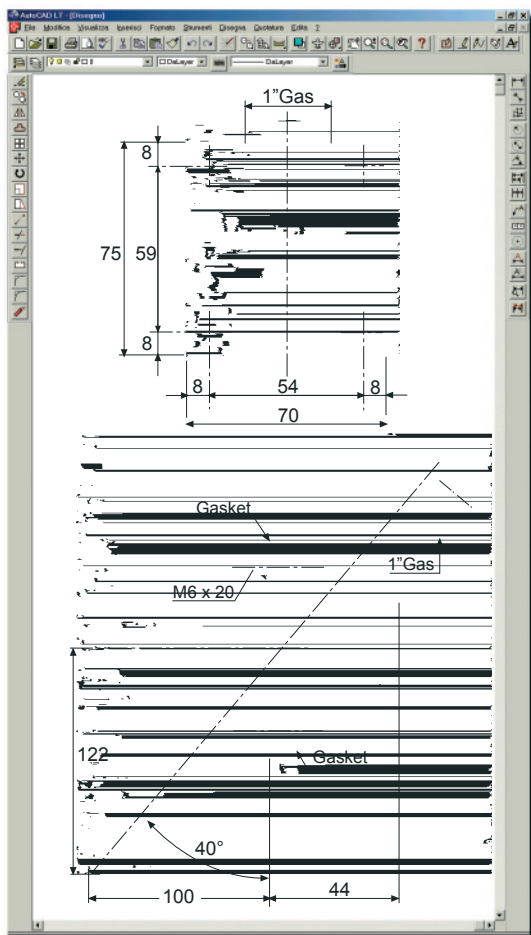
TYPE	CODE	PRICE
TC/ZI5G	1IGCZ00A	£42.36



TYPE	CODE	PRICE
TCI5G	1IGTCO0A	£40.84



TYPE	CODE	PRICE
TC/FI5G	1IGC/F0A	£41.16



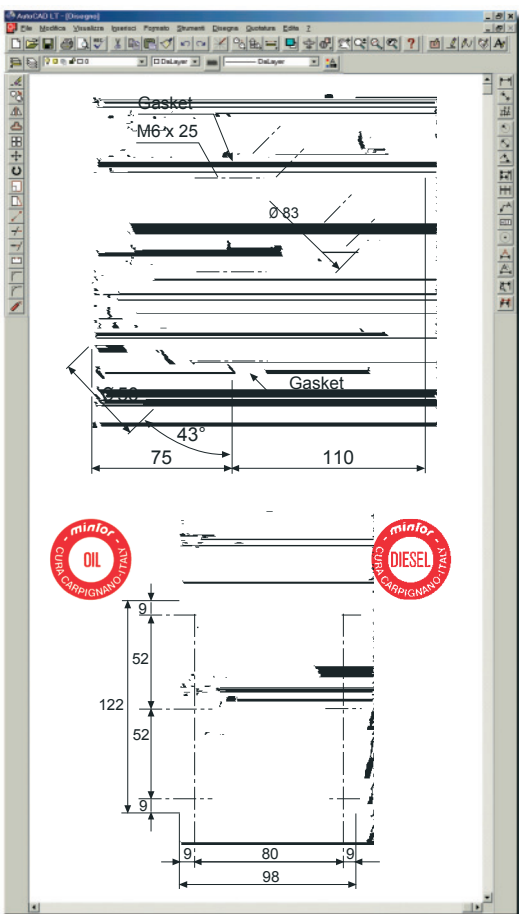
Filling and breather plugs with level dipstick on inclined flange

► Alternative group of filling and breather plugs with level dipsticks are available to apply on inclined flange when it is necessary the side level and oil filling.



TYPE	CODE	PRICE
TCLSI5G	1IGCSL0A	£36.76

TYPE TCLAI5G	TYPE TCLA/ZI5G	TYPE TCLS/ZI5G	TYPE ILAFI5G	TYPE LSFI5G	TYPE FMC/LSI5G
CODE 1IGCLA0A	CODE 1IGLAZ0A	CODE 1IGLSZ0A	CODE 1IGIFA0A	CODE 1IGLSF0A	CODE 1IGFLS0A
PRICE £39.50	PRICE £39.50	PRICE £40.13	PRICE £44.02	PRICE £51.74	PRICE £105.74



TCARI Inclined filling plug

► Similar to the TCAR, it is already supplied mounted on an inclined aluminium flange for application to the wall when the space on the tank cover permits no other solution.

► The air filter contained in the plug is available at 10 microns and 40 microns.



TYPE	CODE	PRICE
TYPE 10 μ TCARI 1080 C150	1VTIR30A - Trademark	£84.90
TYPE 40 μ TCARI 4080 C150	1VTIR60A - Trademark	£80.43