

Weldless Steel Tanks for Hydraulic Power Units



FLOWFIT®
MANUFACTURERS AND SUPPLIERS OF HYDRAULIC COMPONENTS

Weldless Steel Tanks for Hydraulic Power Units

Table of Contents

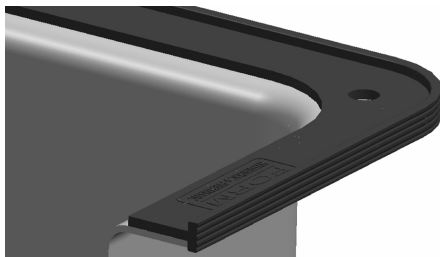
	Page No.
Overview.....	4
Steel Tanks 6 Lt. Type A (1,6 Gallon) Dimensional Data	5
Steel Tanks 6 Lt. Type B (1,6 Gallon) Dimensional Data	6
Steel Tanks 12 Lt. Type A (3,2 Gallon) Dimensional Data	7
Steel Tanks 12 Lt. Type B (3,2 Gallon) Dimensional Data	8
Steel Tanks 25 Lt. (6,6 Gallon) Dimensional Data	9
Steel Tanks 40 Lt. (10,6 Gallon) Dimensional Data	10
Steel Tanks 70 Lt. Type A (18,5 Gallon) Dimensional Data	11
Steel Tanks 70 Lt. Type B (18,5 Gallon) Dimensional Data	12
Steel Tanks 70 Lt. Type C (18,5 Gallon) Dimensional Data	13
Steel Tanks 100 Lt. Type A (26,4 Gallon) Dimensional Data	14
Steel Tanks 100 Lt. Type B (26,4 Gallon) Dimensional Data	15
Steel Tanks 100 Lt. Type C (26,4 Gallon) Dimensional Data	16
Steel Tanks 160 Lt. Type A (42,3 Gallon) Dimensional Data	17
Steel Tanks 160 Lt. Type B (42,3 Gallon) Dimensional Data	18
Steel Tanks 160 Lt. Type C (42,3 Gallon) Dimensional Data	19
Steel Tanks 250 Lt. Type A (66,0 Gallon) Dimensional Data	20
Steel Tanks 250 Lt. Type B (66,0 Gallon) Dimensional Data	21
Steel Tanks 250 Lt. Type C (66,0 Gallon) Dimensional Data	22
Weights Chart.....	23
Lid Layout Dimensions for Bellhousing	24
Price list	25-28

Weldless Steel Tanks

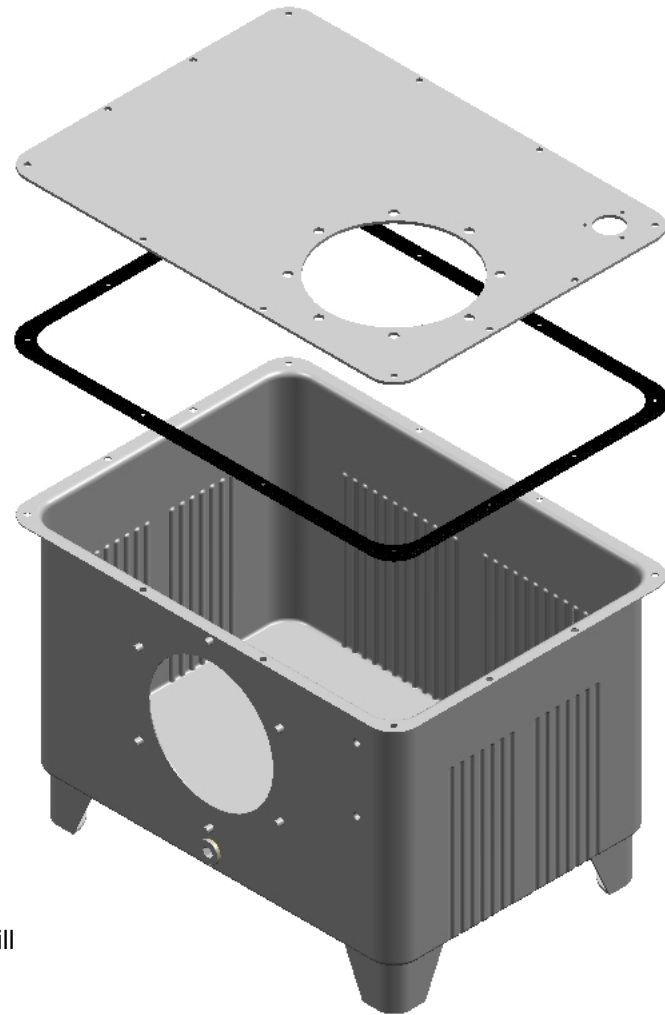
FLOWFIT® offers a complete line of hydraulic tanks and tanks accessories for fluid power transmission applications. The line includes Weldless Steel tanks complete lids, sealing gaskets, legs and associated parts for tanks including a complete line of oil level gauges, bellhousings, filler breather etc... for routing hydraulic lines directly into the tank.

WELDLESS SHEET METAL OIL TANK FEATURES

- All FLOWFIT Weldless Steel Tank bodies are skillfully fabricated from high strength cold rolled steel plate and sheet.
- Produced by the deep drawing method of forming the body of the tank without the use of welding in all circumstances guarantee 100% leak
- Hydraulic Power Unit with a capacity of eight different applications respond to a large part,
- Light weight and high strength weldless sheet metal tank body,
- Tank body with electrostatic epoxy-polyester powder paint (Phosphate-coated on the surface) and the high strength obtained by painting the surface quality and protection. (standard color RAL 5007 Brillant blue)
- Assembled as an oil level indicator (option), Tank can be installed over the drain plug (standard) shipping,
- Lid - Tank is an integrated view after assembly to give the vibration damping and sealing gasket feature (NBR 70)
- Lid - Standard colour RAL 9005



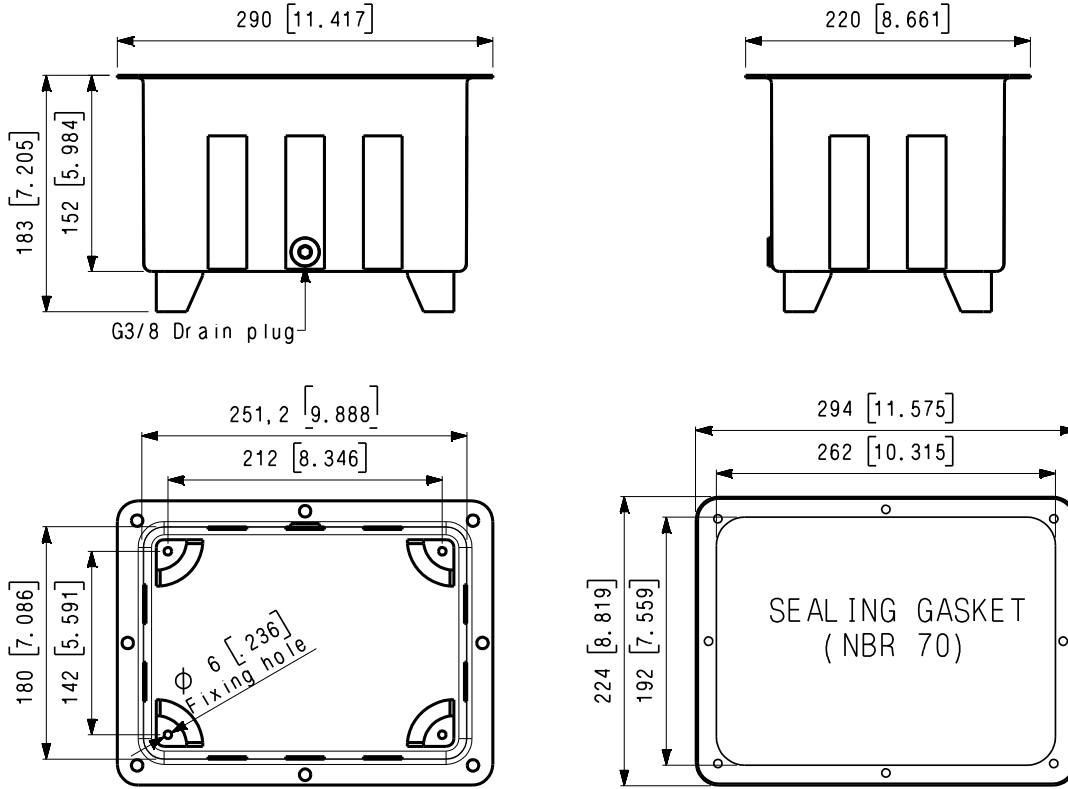
- + Traps oil leaks prevents spill
- + Reduces noise
- + Absorbs vibration
- + Compatible with most fluids
- + Simplifies assembly



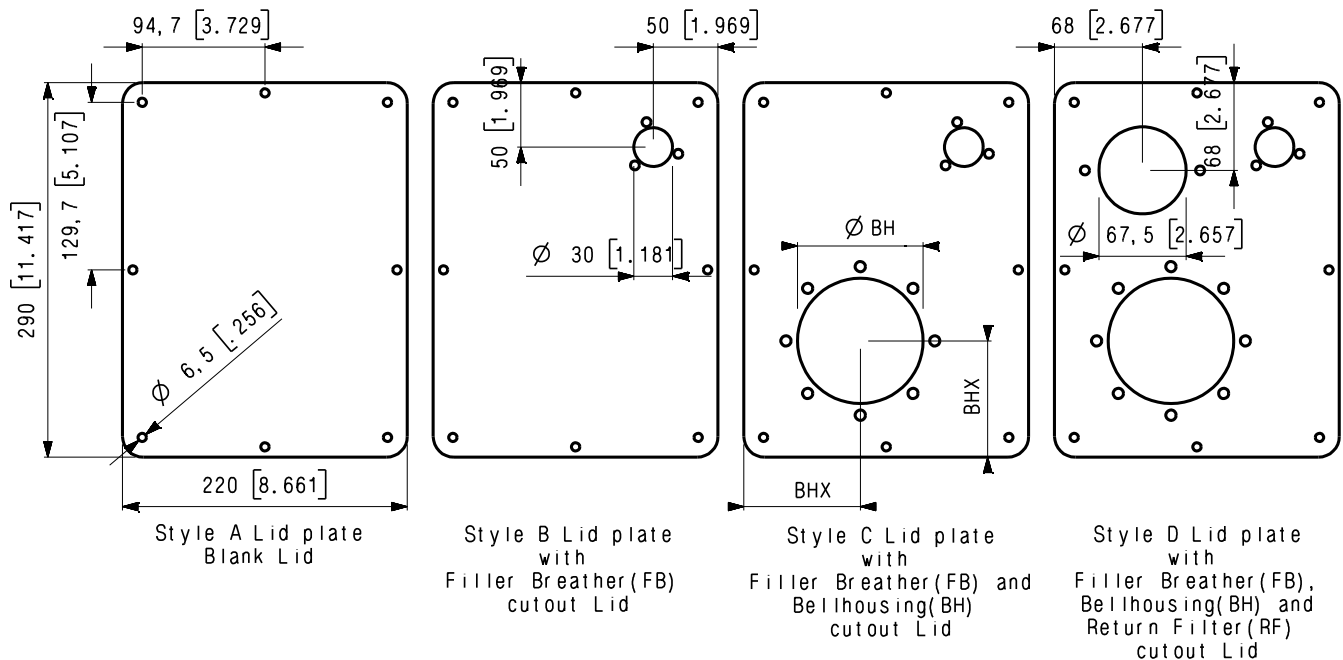
- Different tank lid designs available upon request, please always ask.
- Its strength, light weight, compact design, with the advantage of immediate delivery from stock at unbeatable price

Weldless Steel Tank 6 Litre Type A (1,6 Gallon)

mm [in]



Lid 6 Litre (1,6 Gallon)

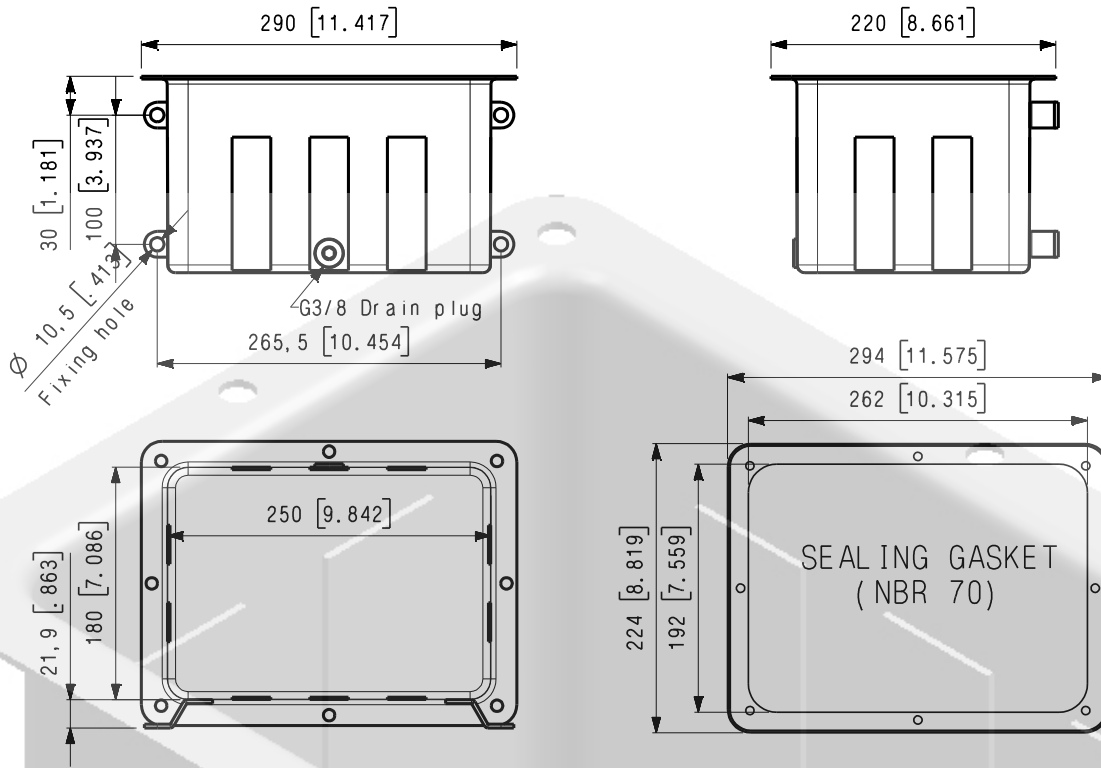


See page 25 for price list

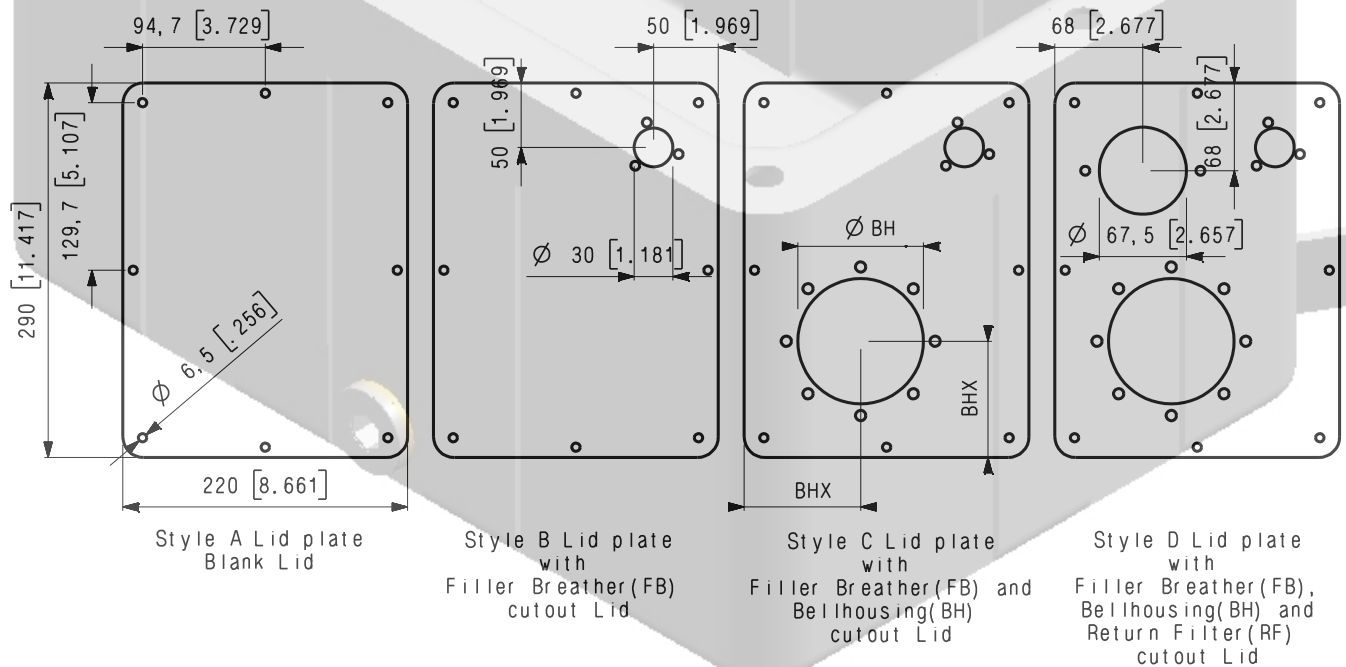
FLOWFIT reserves the right to change specifications and information without notice.

Weldless Steel Tank 6 Litre Type B (1,6 Gallon)

mm [in]



Lid 6 Litre (1,6 Gallon)

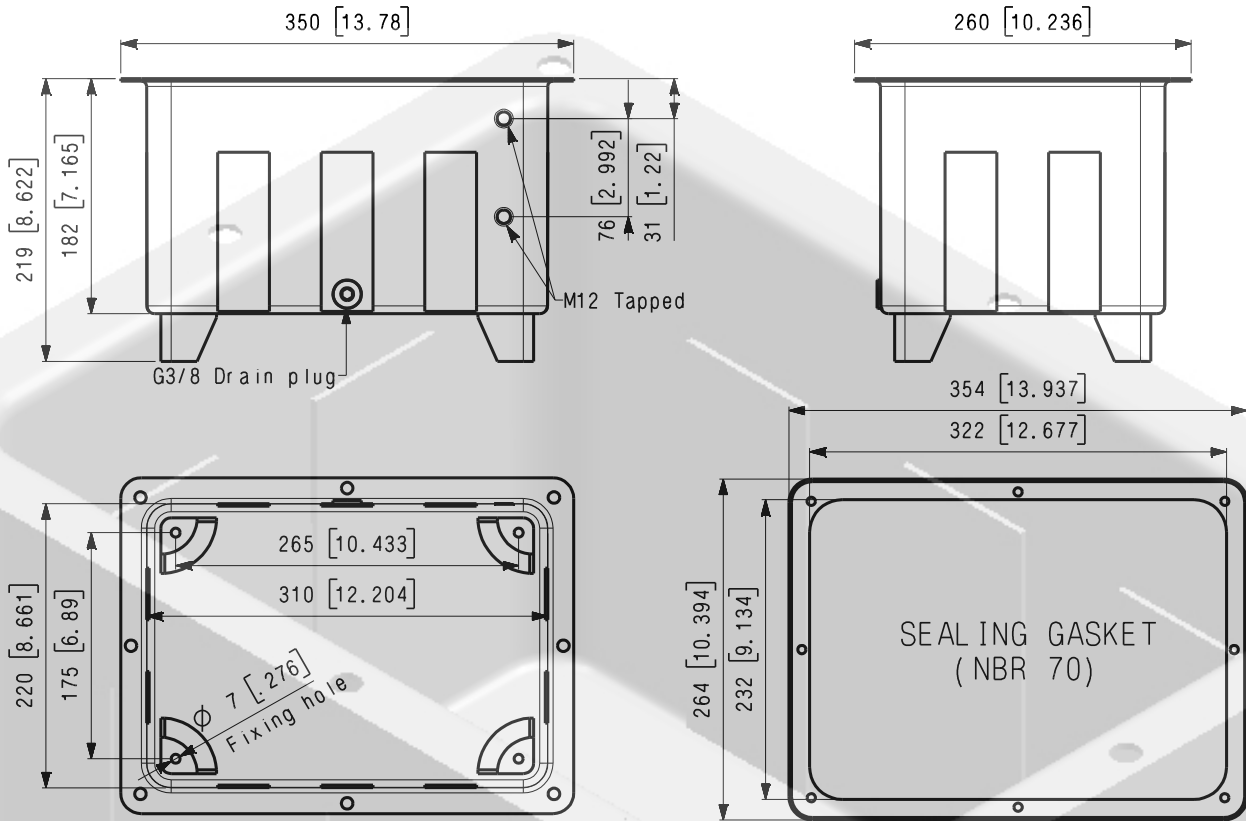


See page 25 for price list

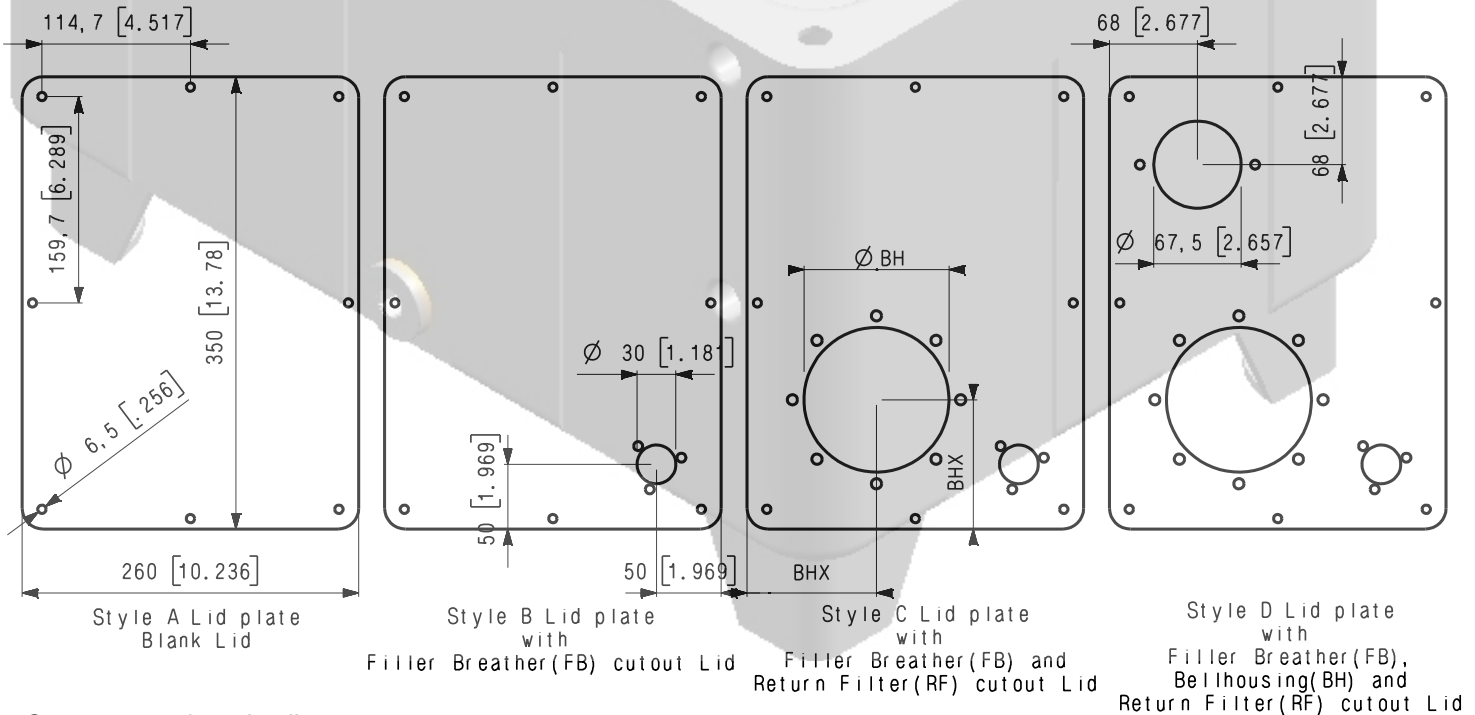
FLOWFIT reserves the right to change specifications and information without notice.

Weldless Steel Tank 12 Litre Type A (3,2 Gallon)

mm [in]



Lid 12 Litre (3,2 Gallon)

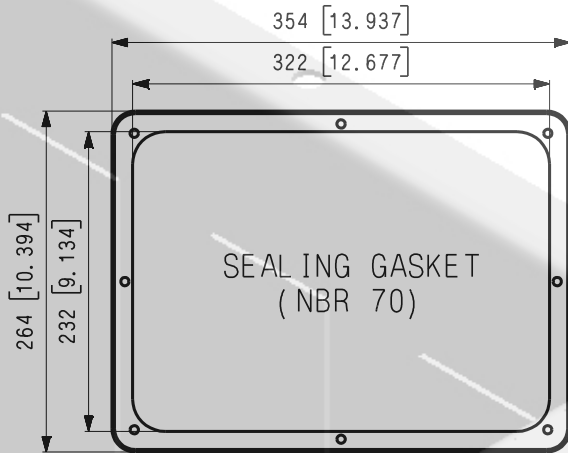
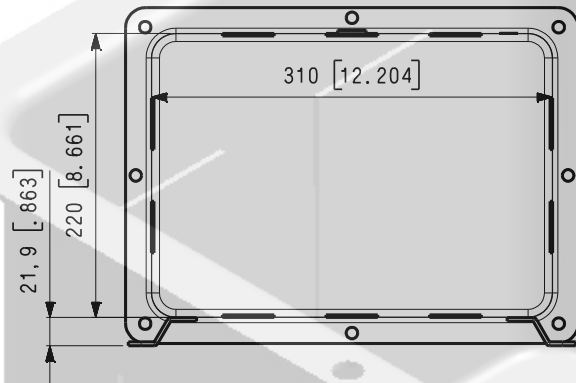
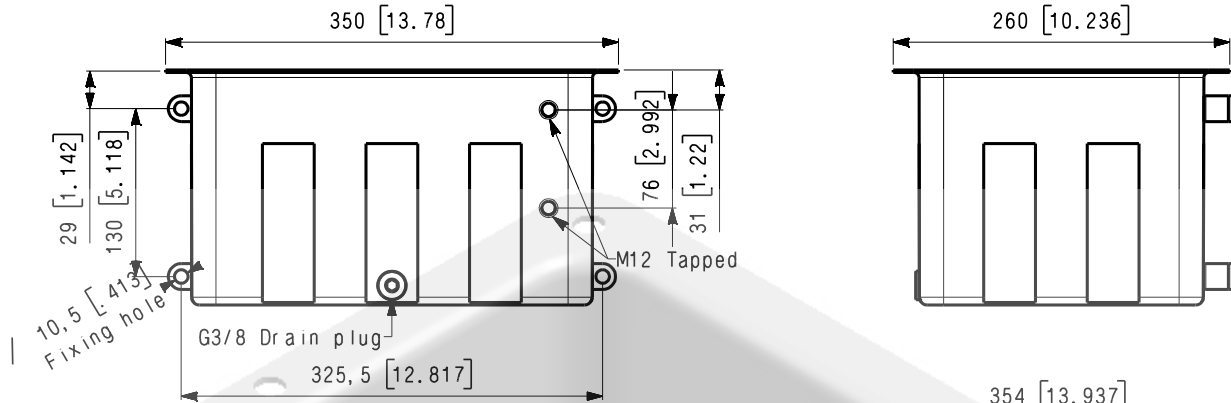


See page 25 for price list

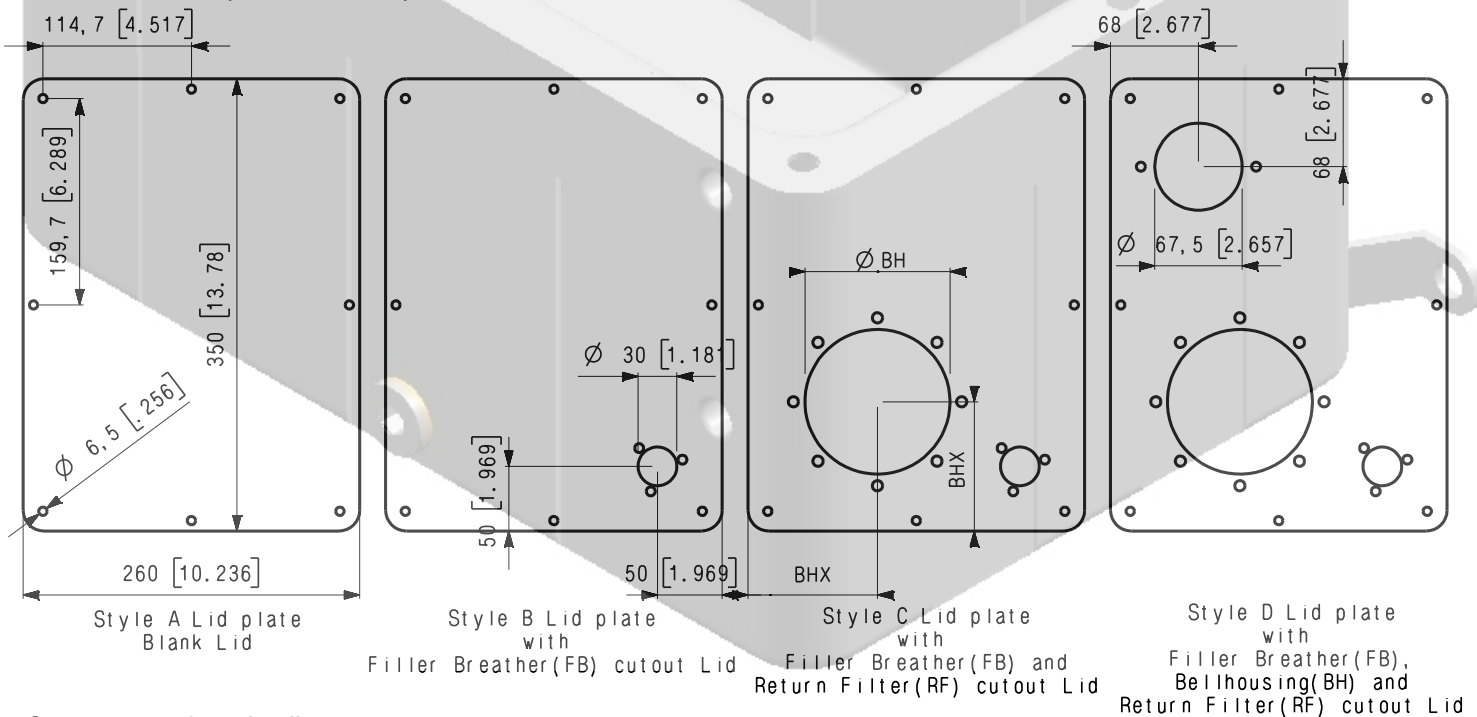
FLOWFIT reserves the right to change specifications and information without notice.

Weldless Steel Tank 12 Litre Type B (3,2 Gallon)

mm [in]



Lid 12 Litre (3,2 Gallon)

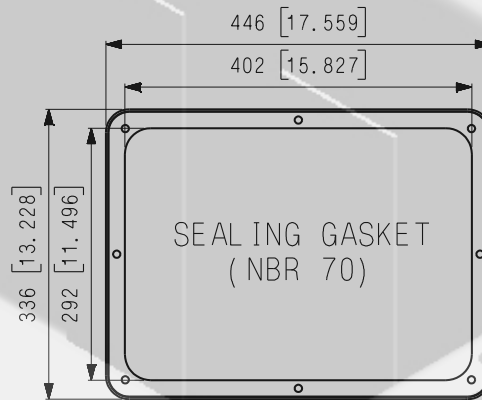
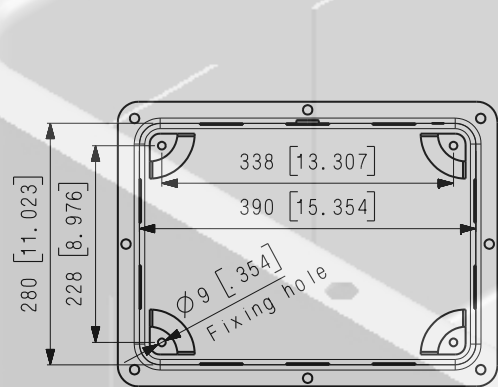
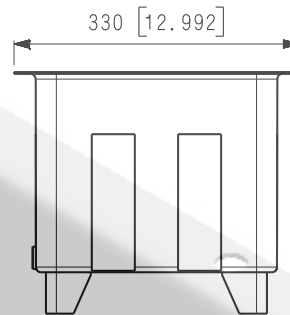
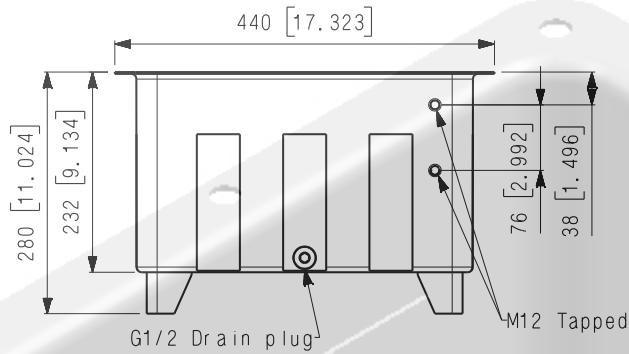


See page 25 for price list

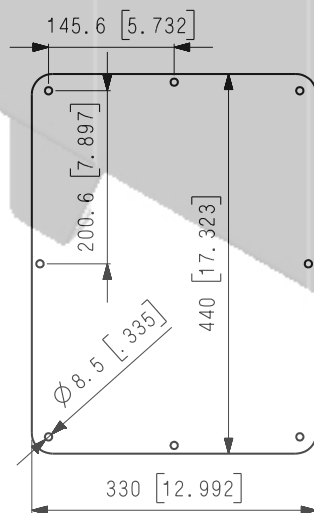
FLOWFIT reserves the right to change specifications and information without notice.

Weldless Steel Tank 25 Litre (6,6 Gallon)

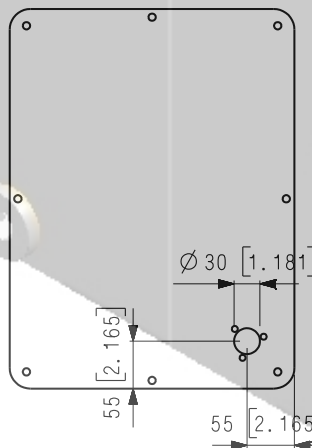
mm [in]



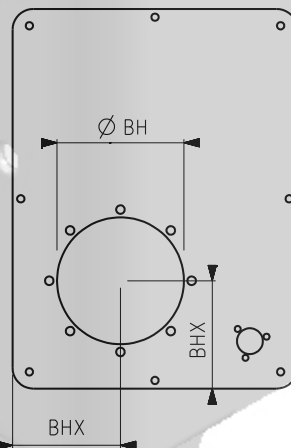
Lid 25 Litre (6,6 Gallon)



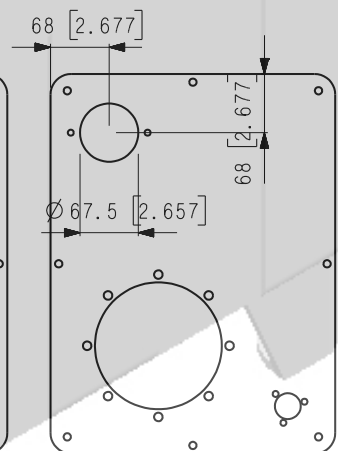
Style A Lid plate
Blank Lid



Style B Lid plate
with
Filler Breather (FB)
cutout Lid



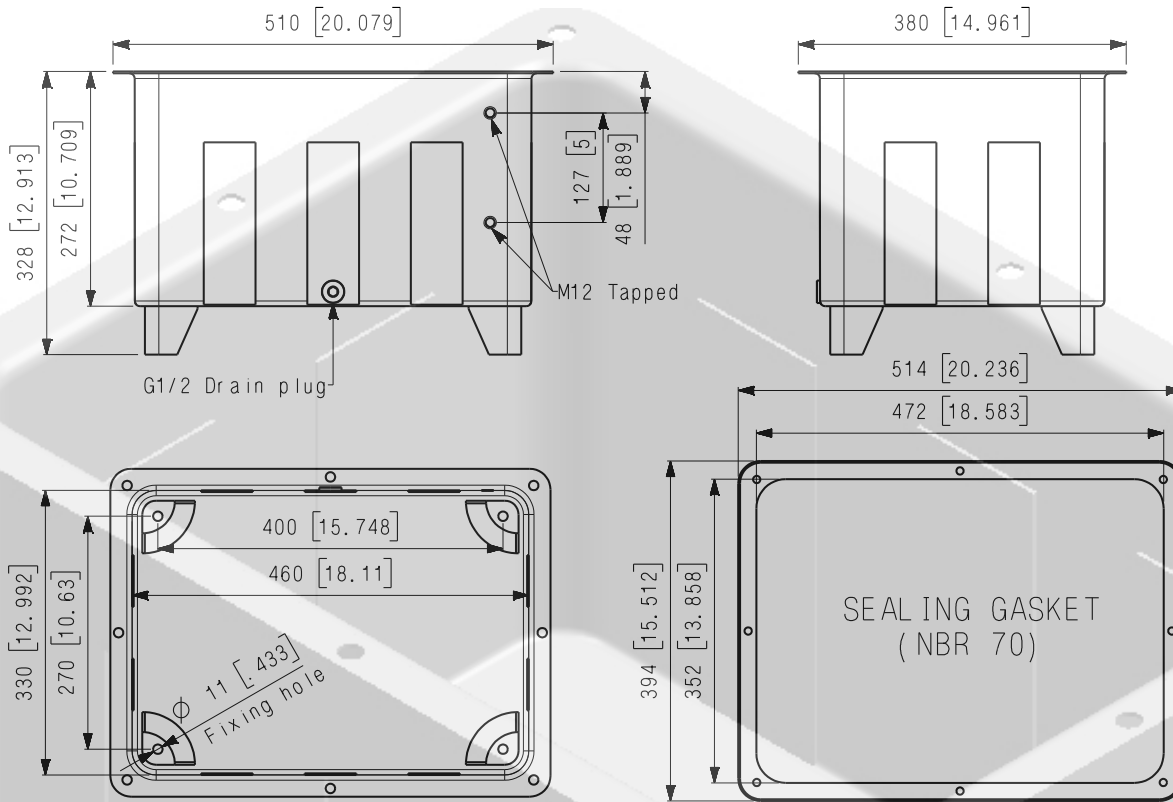
Style C Lid plate
with
Filler Breather (FB) and
Bellhousing (BH)
cutout Lid



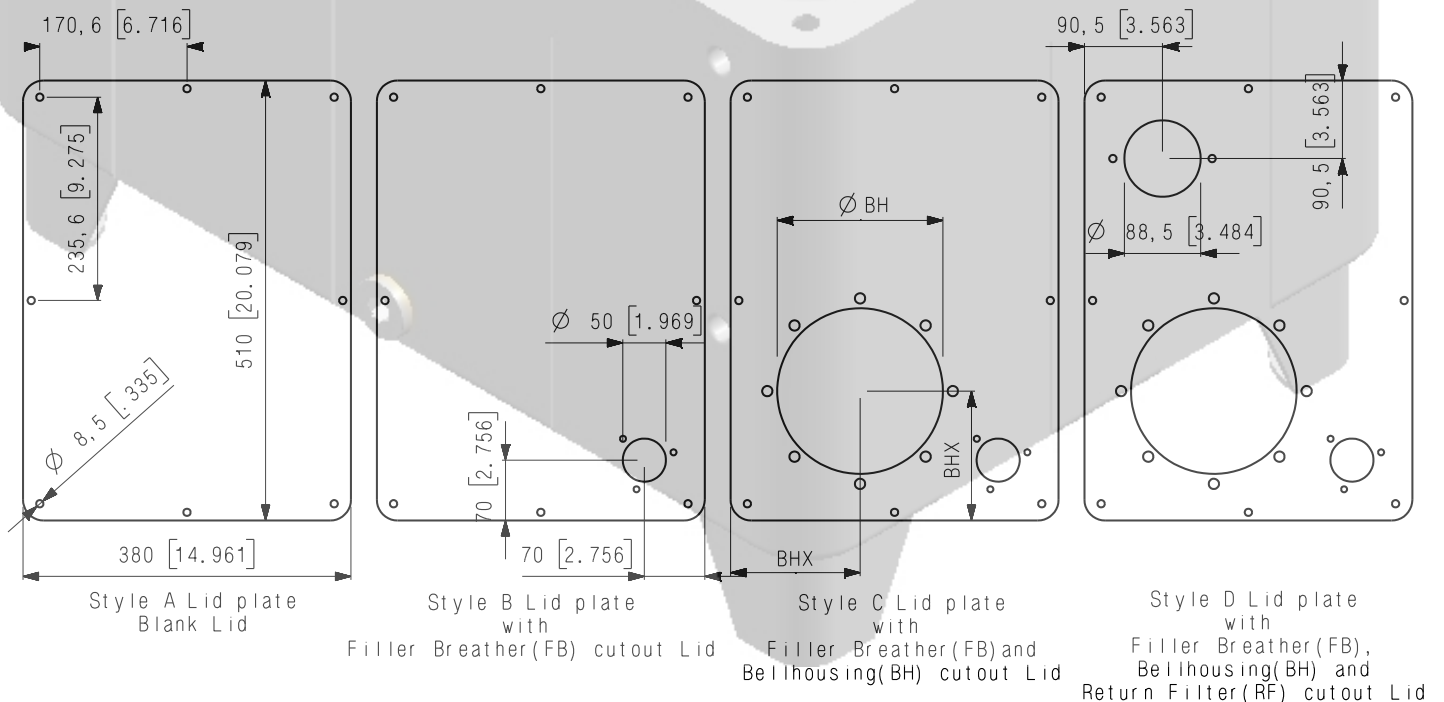
Style D Lid plate
with
Filler Breather (FB),
Bellhousing (BH) and
Return Filter (RF)
cutout Lid

Weldless Steel Tank 40 Litre (10,6 Gallon)

mm [in]



Lid 40 Litre (10,6 Gallon)

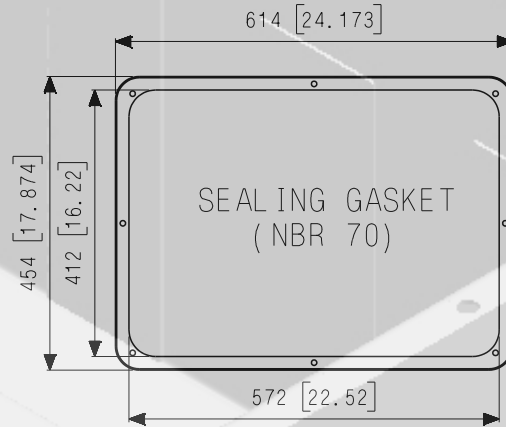
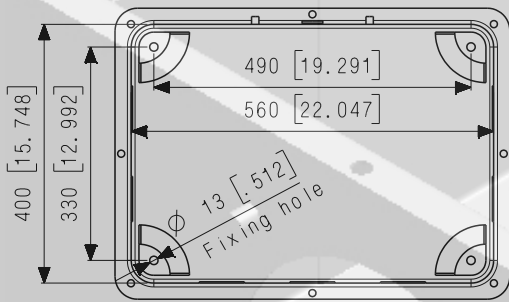
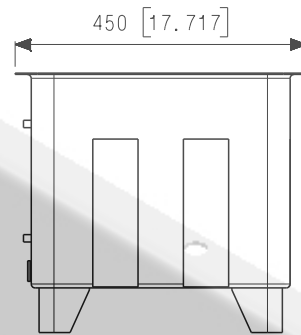
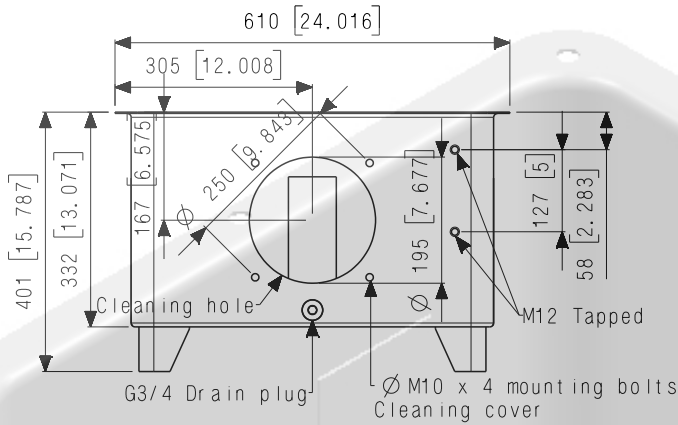


See page 25 for price list

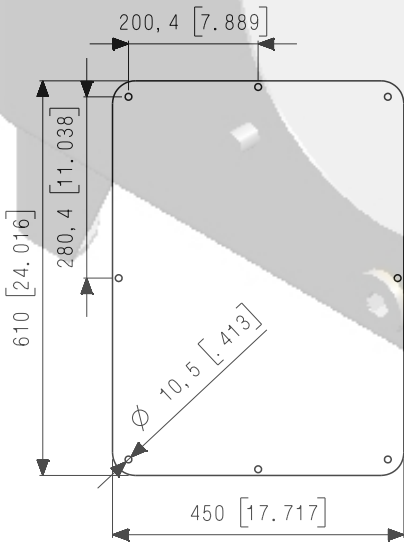
FLOWFIT reserves the right to change specifications and information without notice.

Weldless Steel Tank 70 Litre Type A (18,5 Gallon)

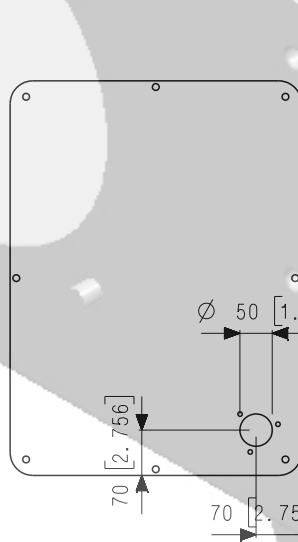
mm [in]



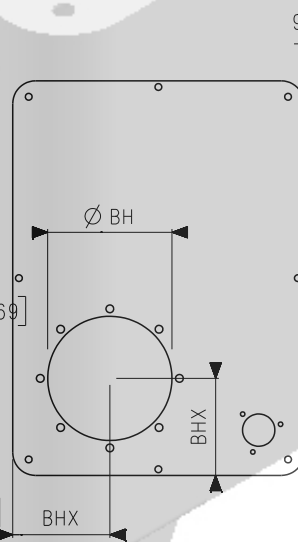
Lid 70 Litre (18,5 Gallon)



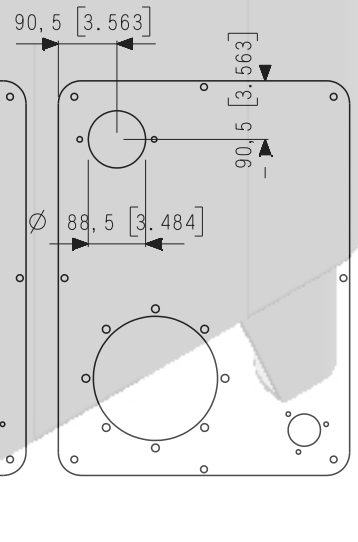
Style A Lid plate
Blank Lid



Style B Lid plate
with
Filler Breather (FB)
cutout Lid



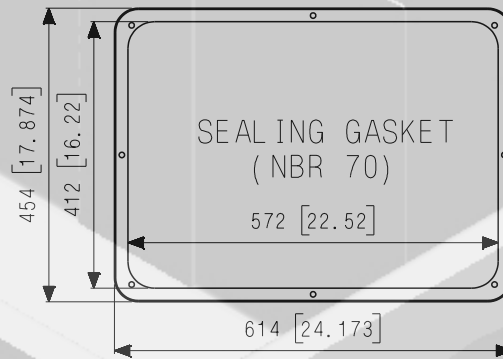
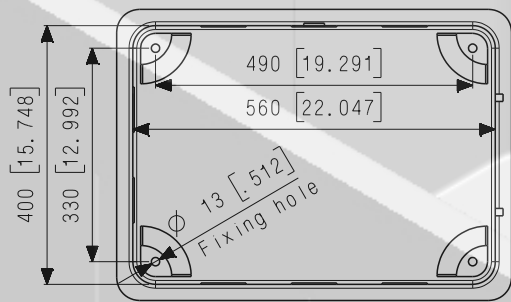
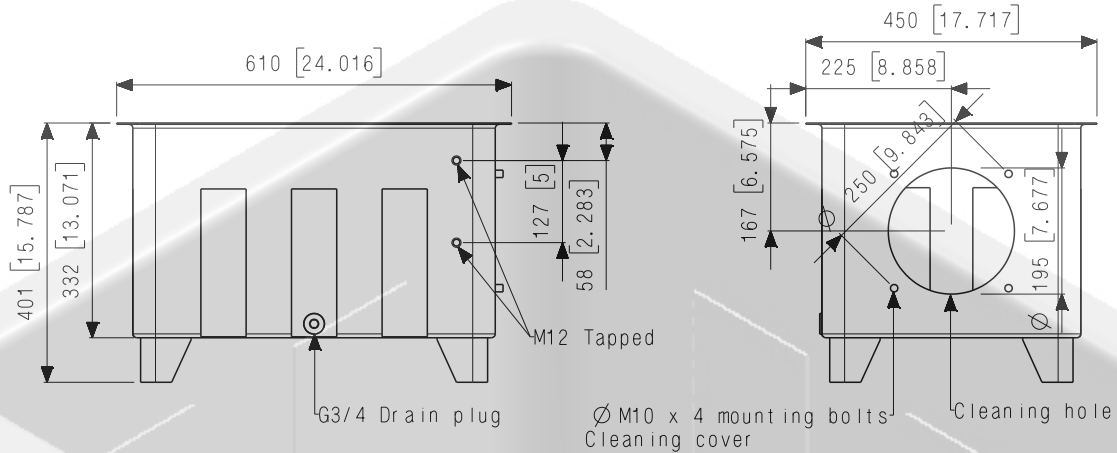
Style C Lid plate
with
Filler Breather (FB) and
Bellhousing (BH)
cutout Lid



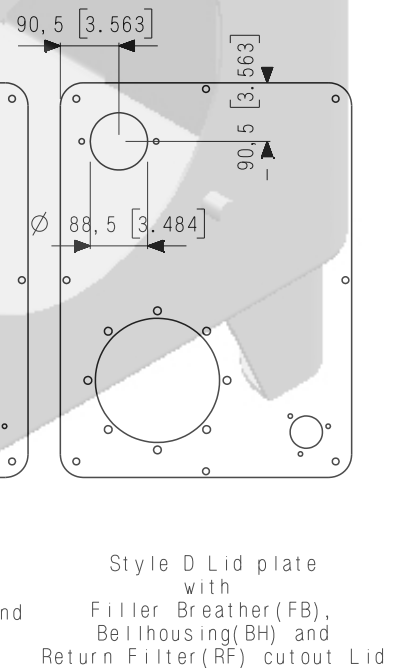
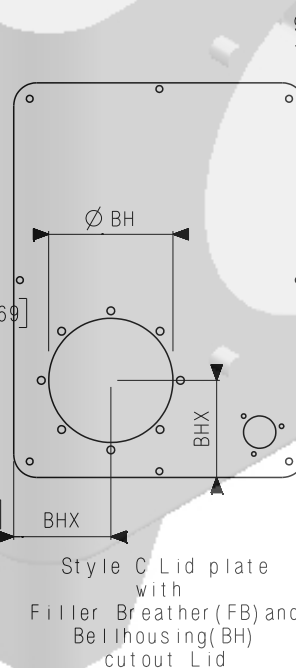
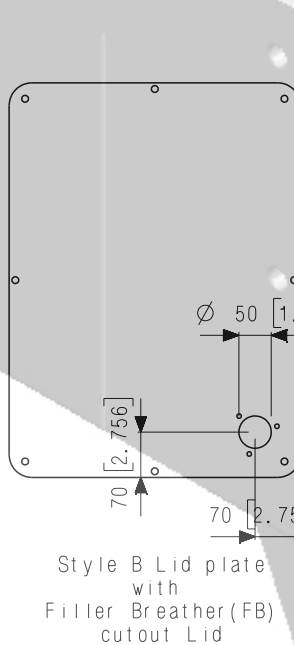
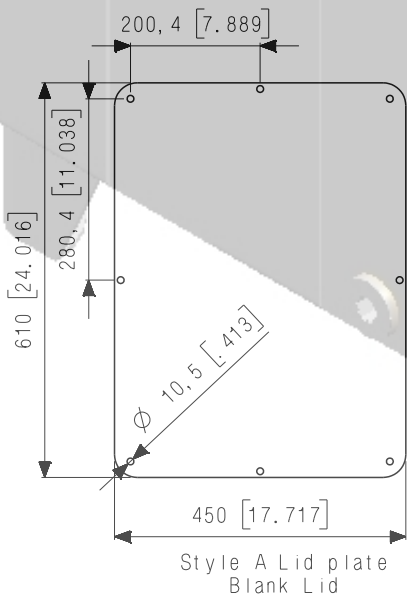
Style D Lid plate
with
Filler Breather (FB),
Bellhousing (BH) and
Return Filter (RF)
cutout Lid

Weldless Steel Tank 70 Litre Type B (18,5 Gallon)

mm [in]

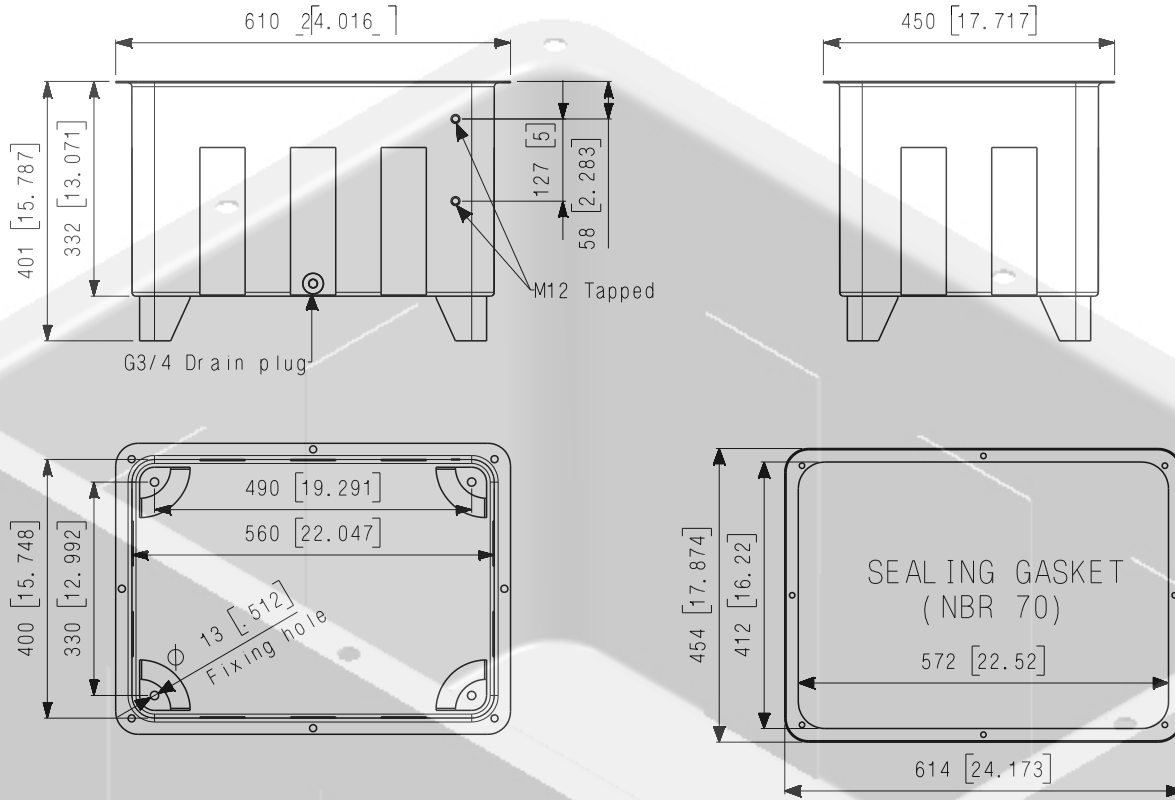


Lid 70 Litre (18,5 Gallon)

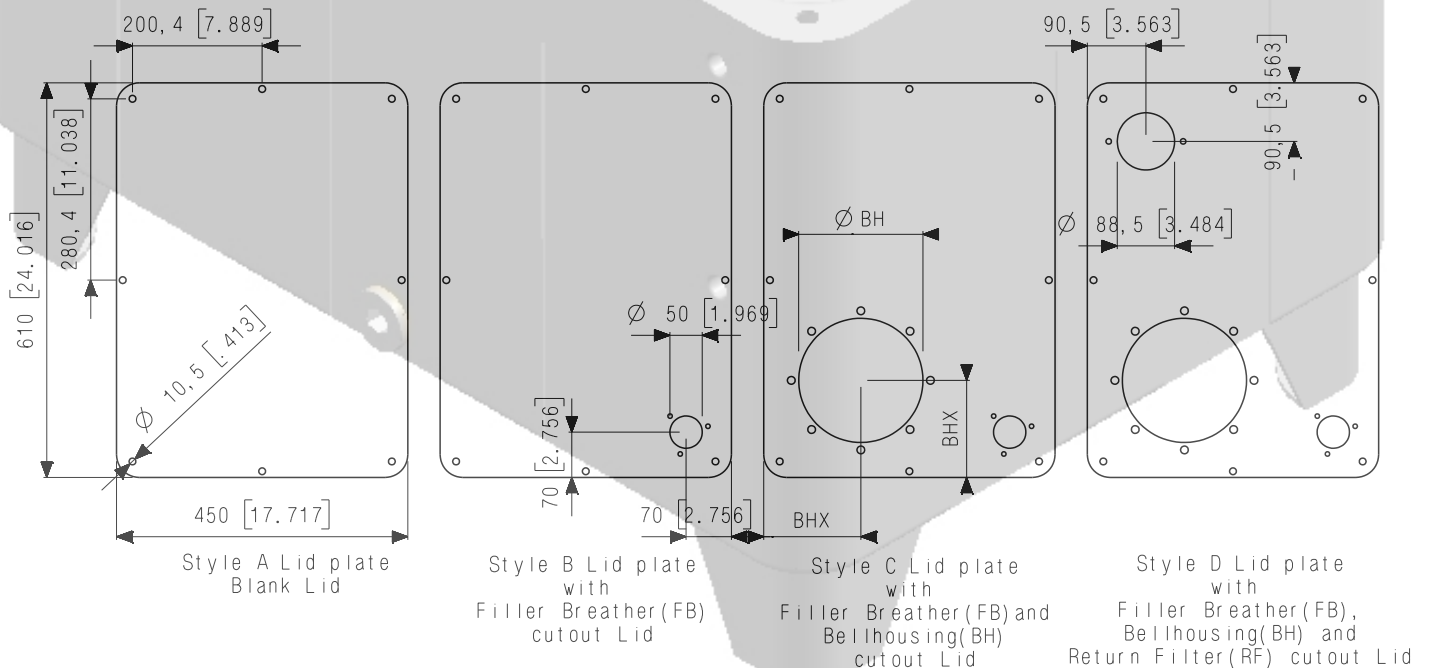


Weldless Steel Tank 70 Litre Type C (18,5 Gallon)

mm [in]



Lid 70 Litre (18,5 Gallon)

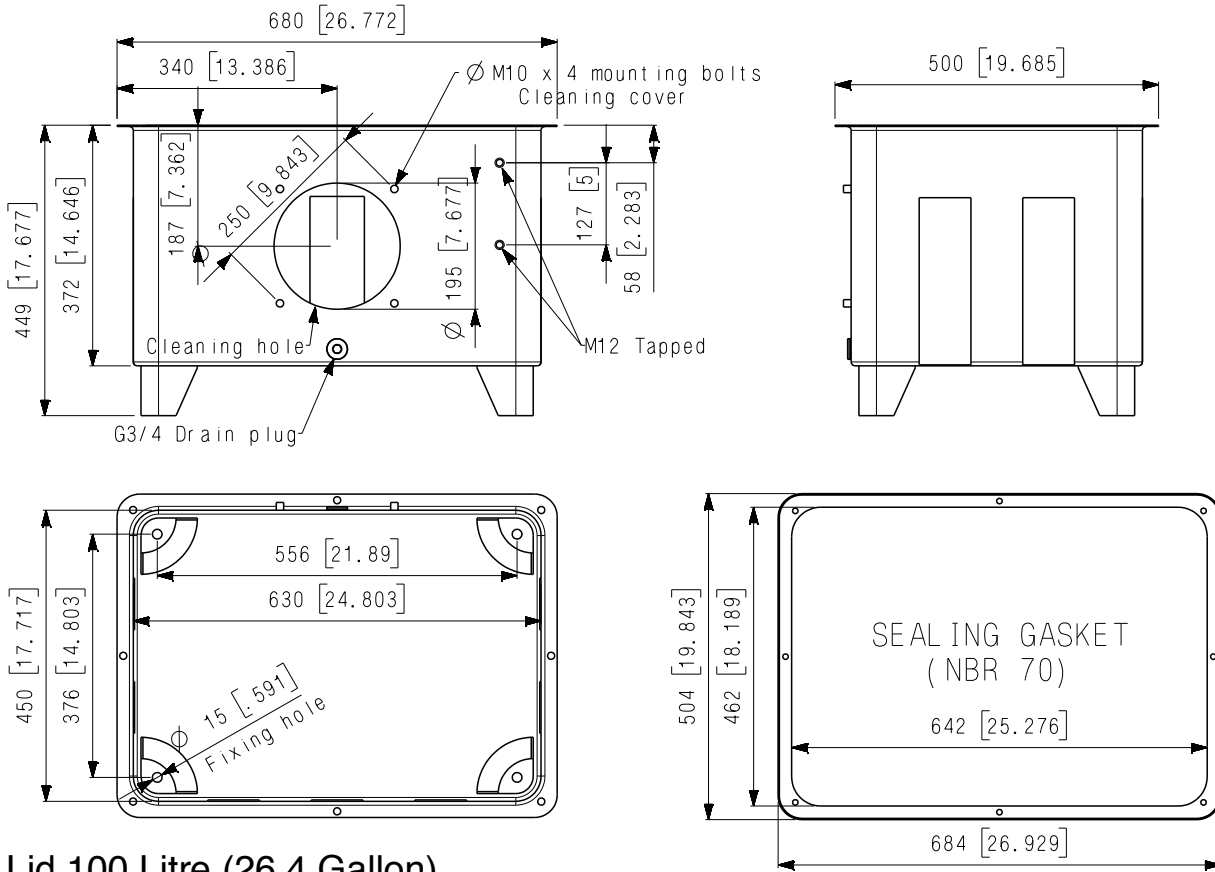


See page 26 for price list

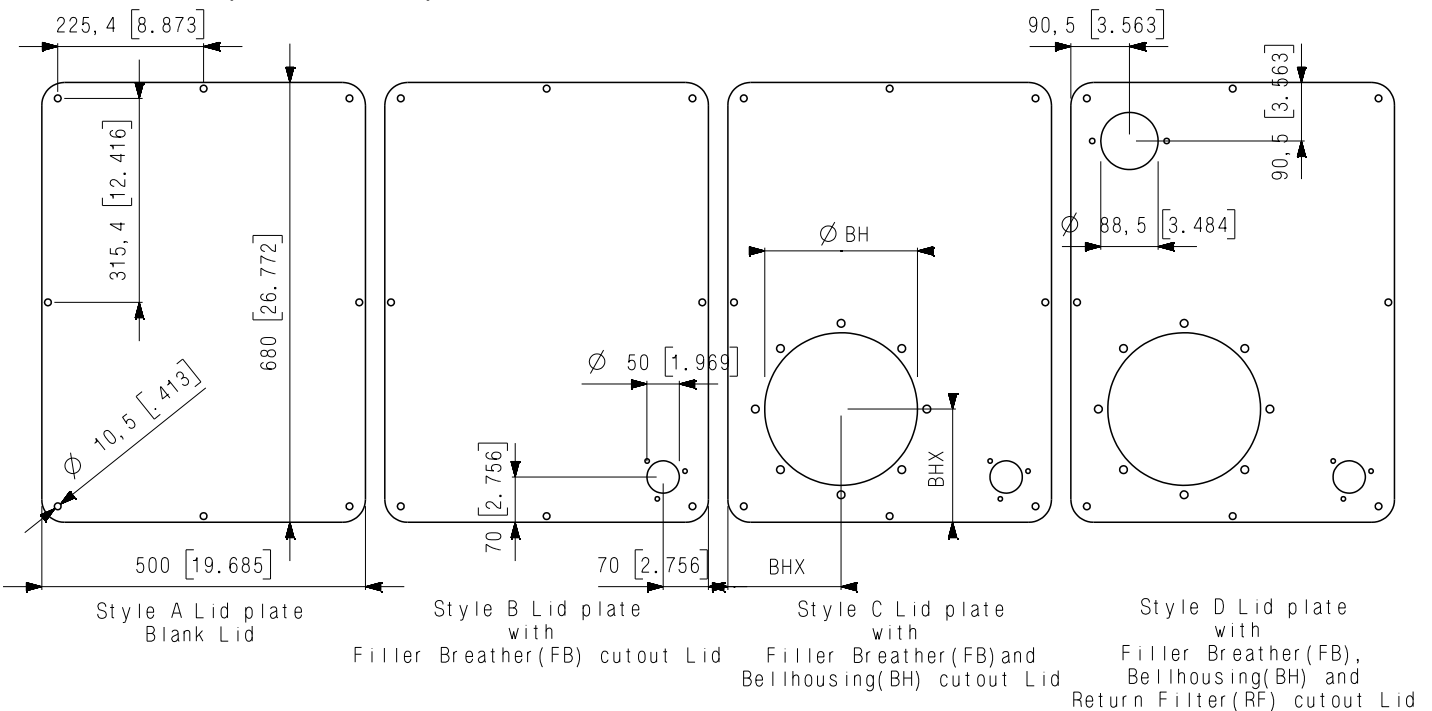
FLOWFIT reserves the right to change specifications and information without notice.

Weldless Steel Tank 100 Litre Type A (26,4 Gallon)

mm [in]



Lid 100 Litre (26,4 Gallon)

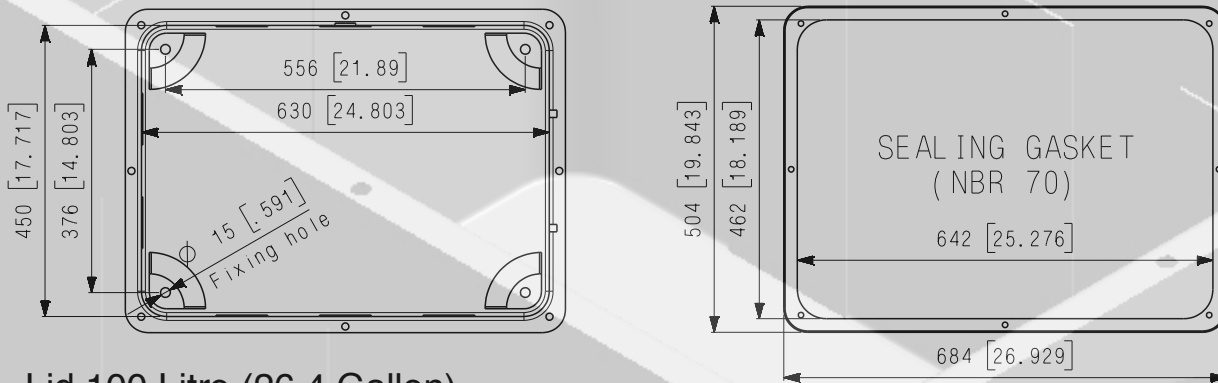
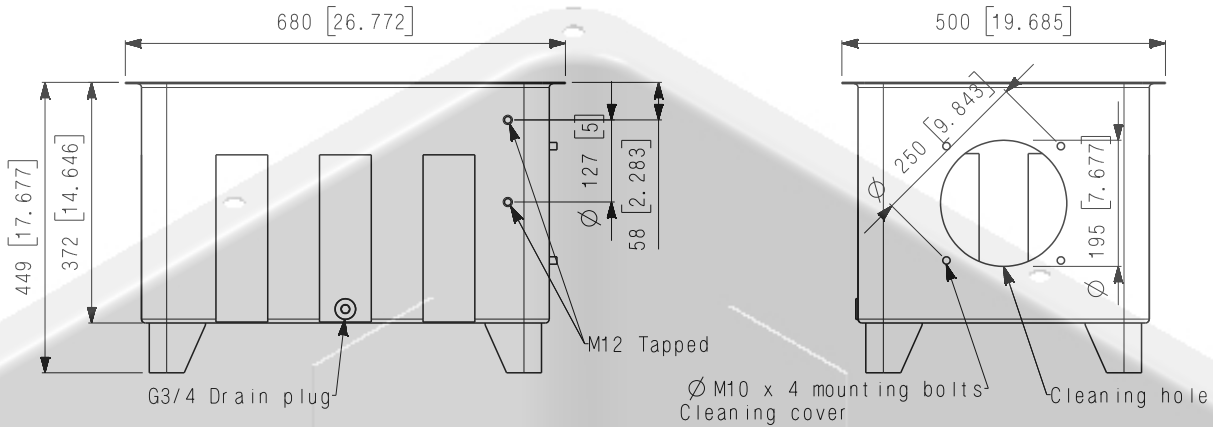


See page 27 for price list

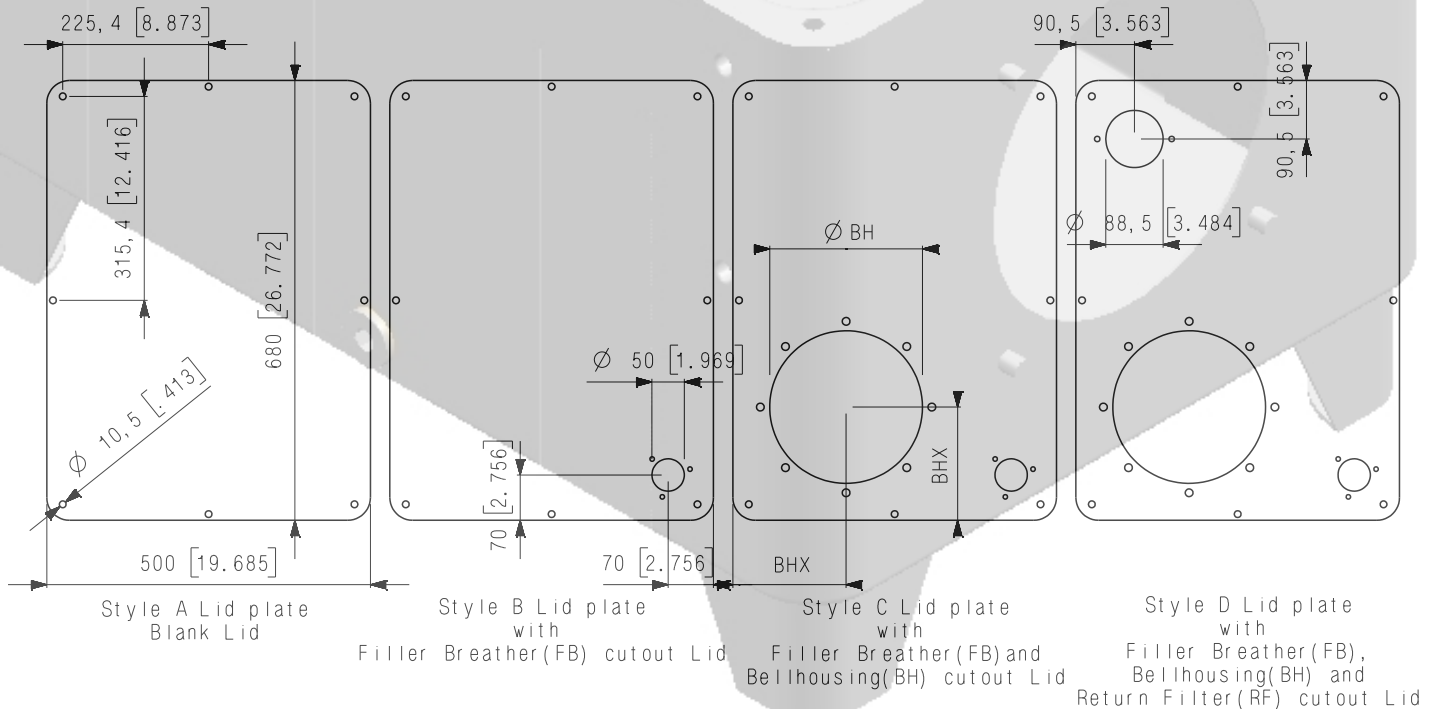
FLOWFIT reserves the right to change specifications and information without notice.

Weldless Steel Tank 100 Litre Type B (26,4 Gallon)

mm [in]



Lid 100 Litre (26,4 Gallon)

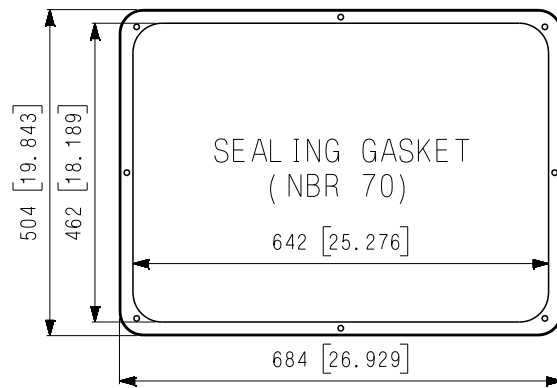
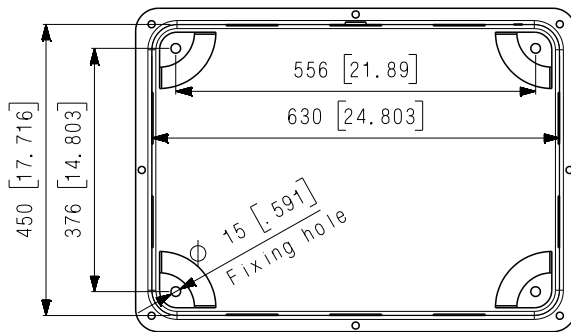
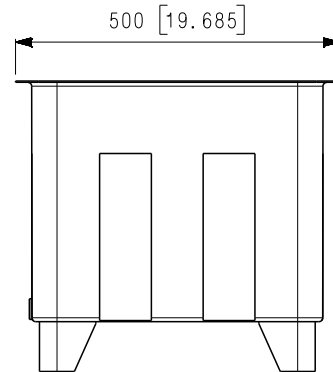
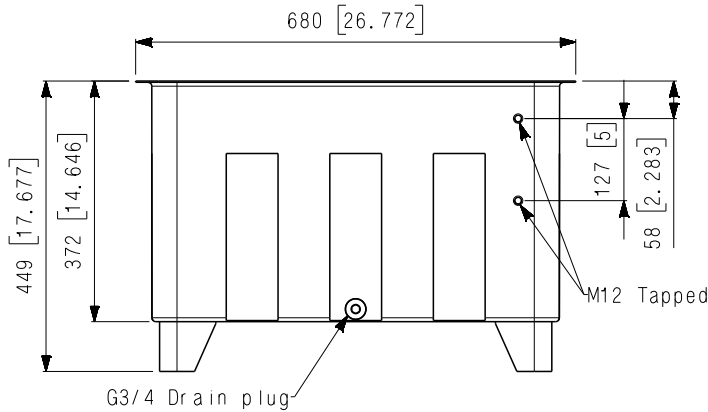


See page 27 for price list

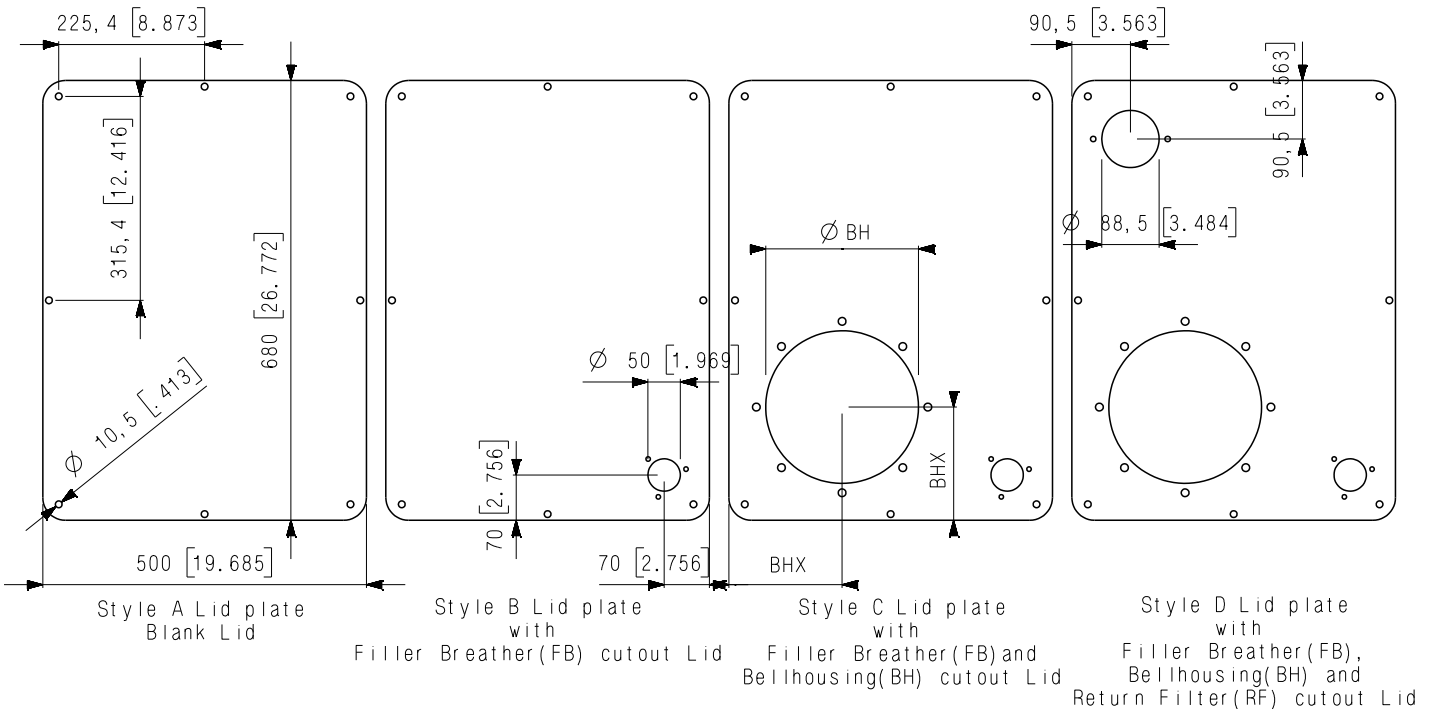
FLOWFIT reserves the right to change specifications and information without notice.

Weldless Steel Tank 100 Litre Type C (26,4 Gallon)

mm [in]



Lid 100 Litre (26,4 Gallon)

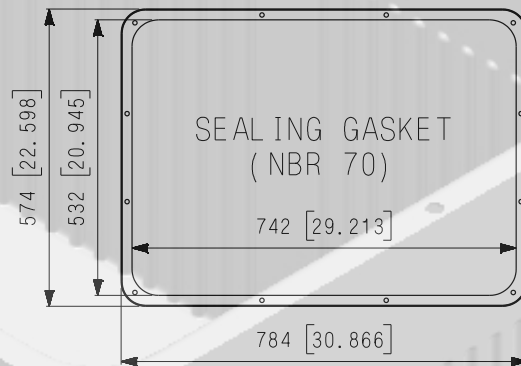
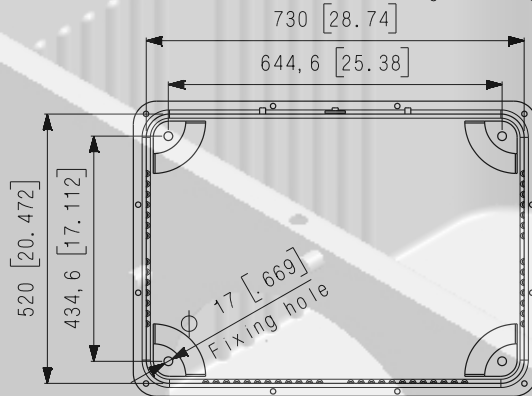
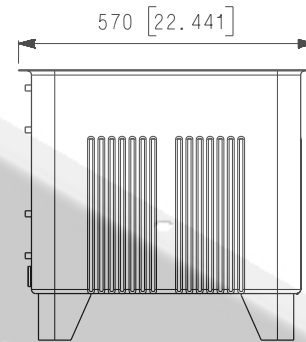
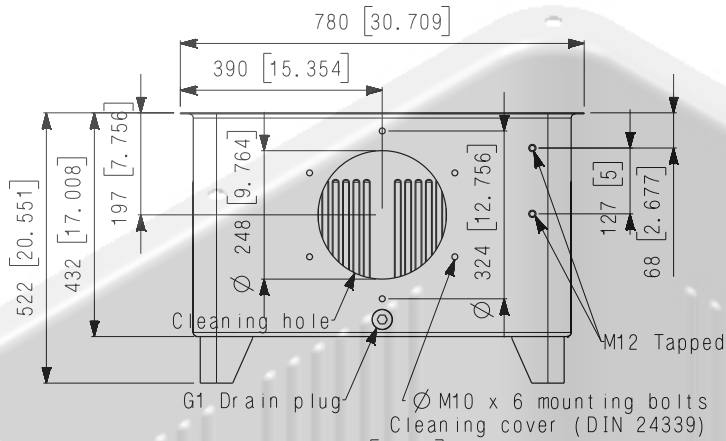


See page 27 for price list

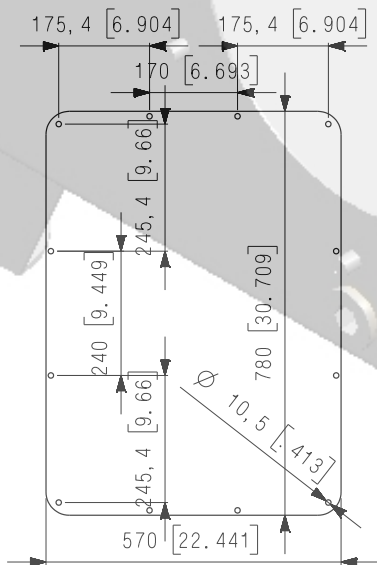
FLOWFIT reserves the right to change specifications and information without notice.

Weldless Steel Tank 160 Litre Type A (42,3 Gallon)

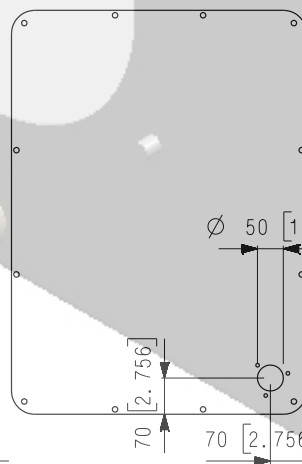
mm [in]



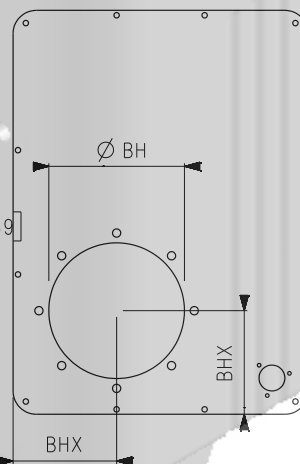
Lid 160 Litre (42,3 Gallon)



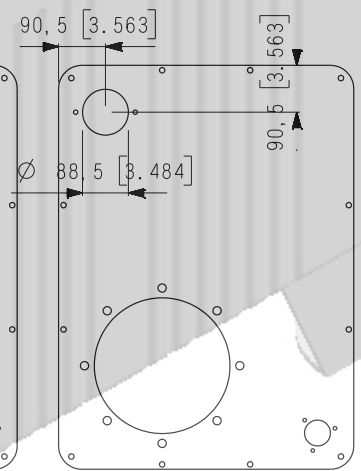
Style A Lid plate
Blank Lid



Style B Lid plate
with
Filler Breather (FB)
cutout Lid



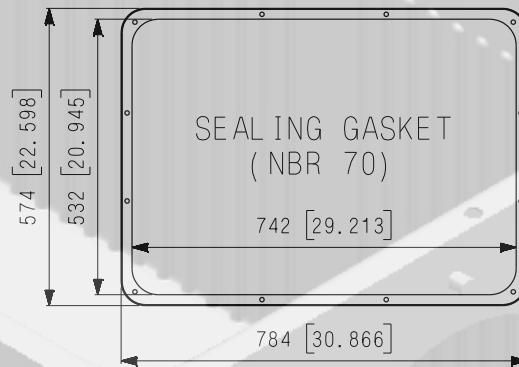
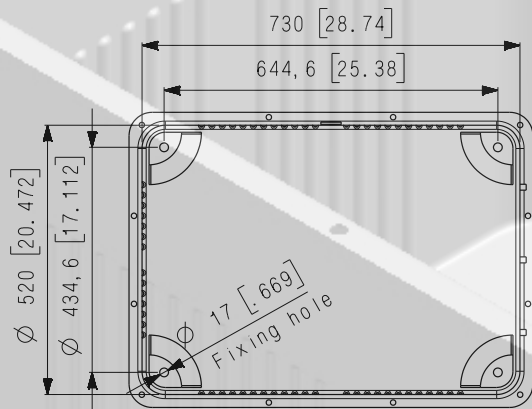
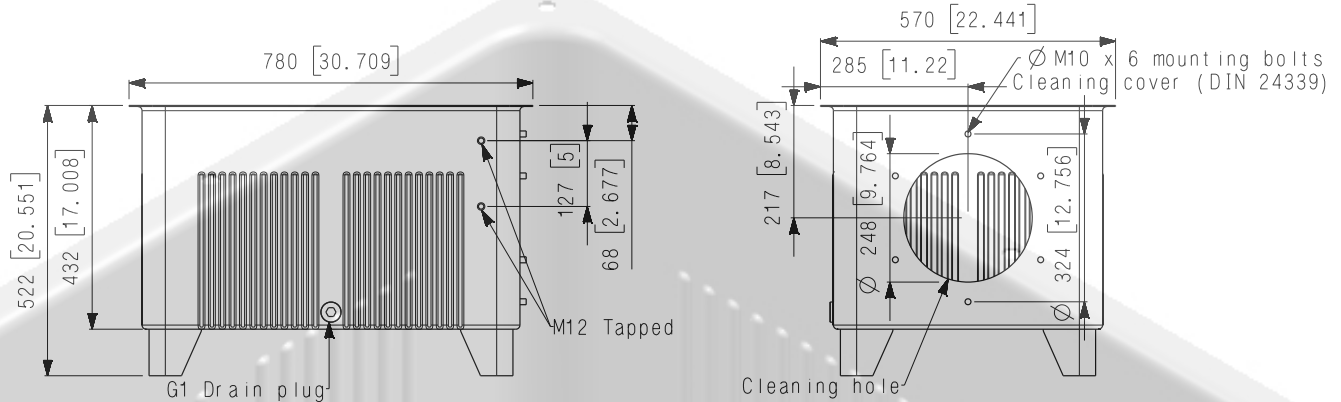
Style C Lid plate
with
Filler Breather (FB) and
Bellhousing (BH)
cutout Lid



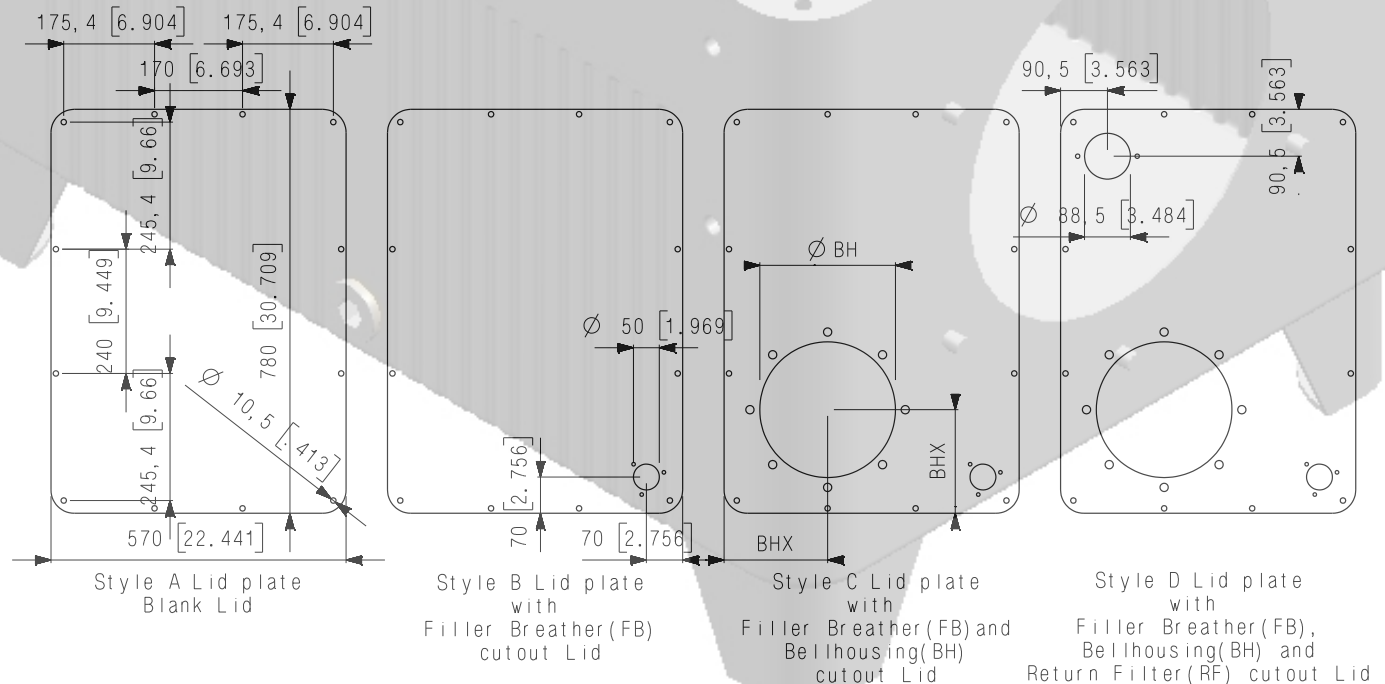
Style D Lid plate
with
Filler Breather (FB),
Bellhousing (BH) and
Return Filter (RF)
cutout Lid

Weldless Steel Tank 160 Litre Type B (42,3 Gallon)

mm [in]



Lid 160 Litre (42,3 Gallon)

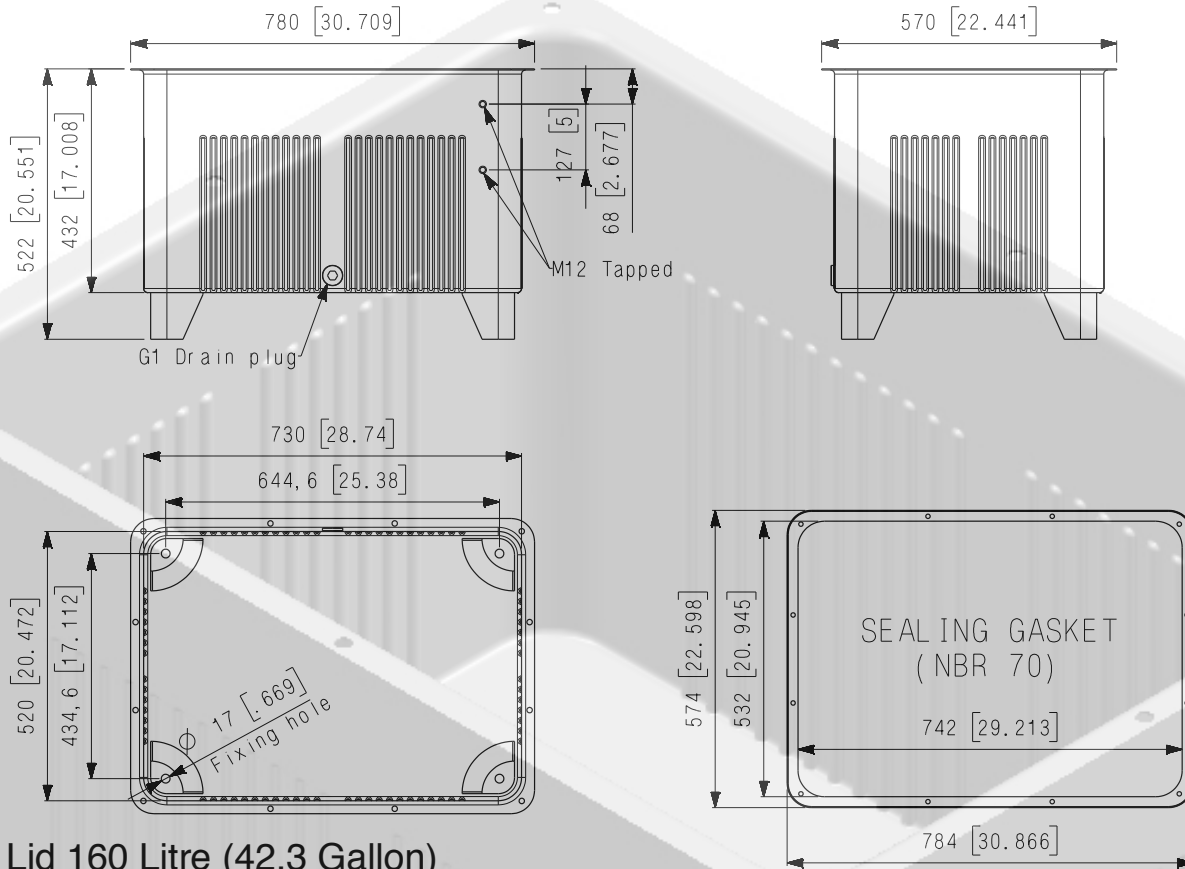


See page 27 for price list

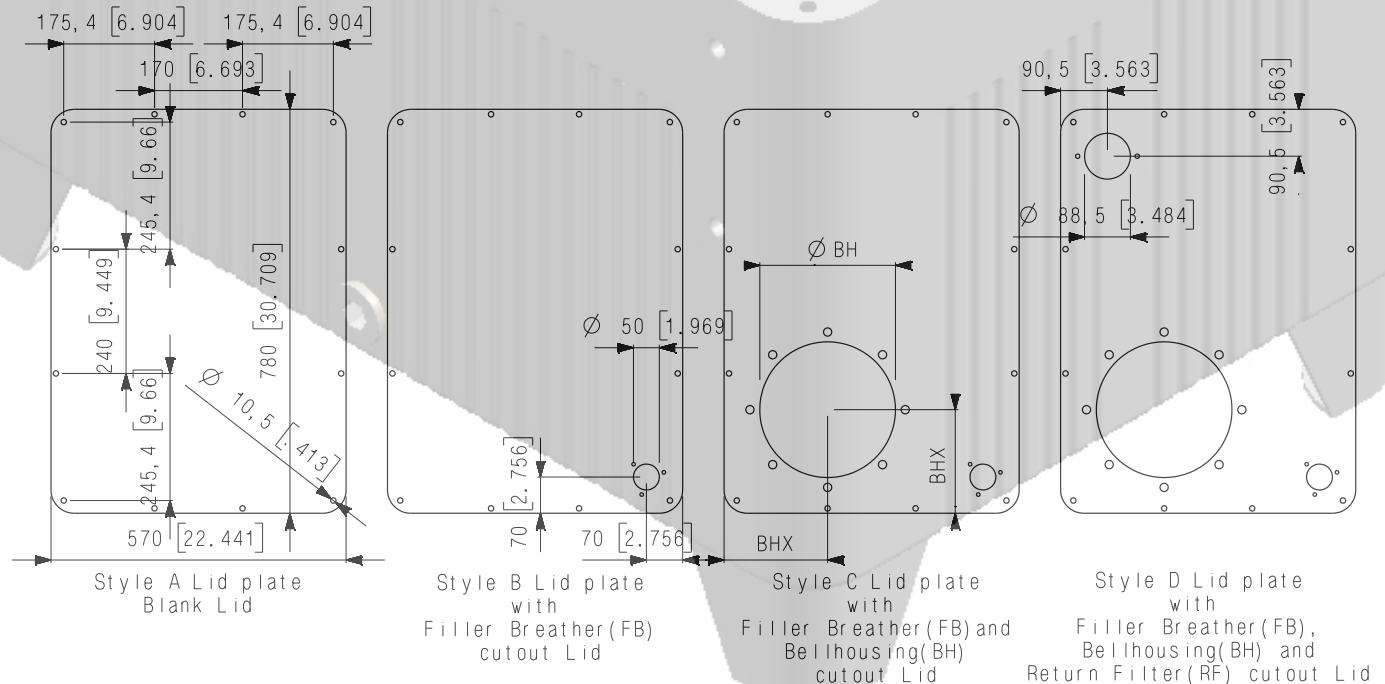
FLOWFIT reserves the right to change specifications and information without notice.

Weldless Steel Tank 160 Litre Type C (42,3 Gallon)

mm [in]



Lid 160 Litre (42,3 Gallon)

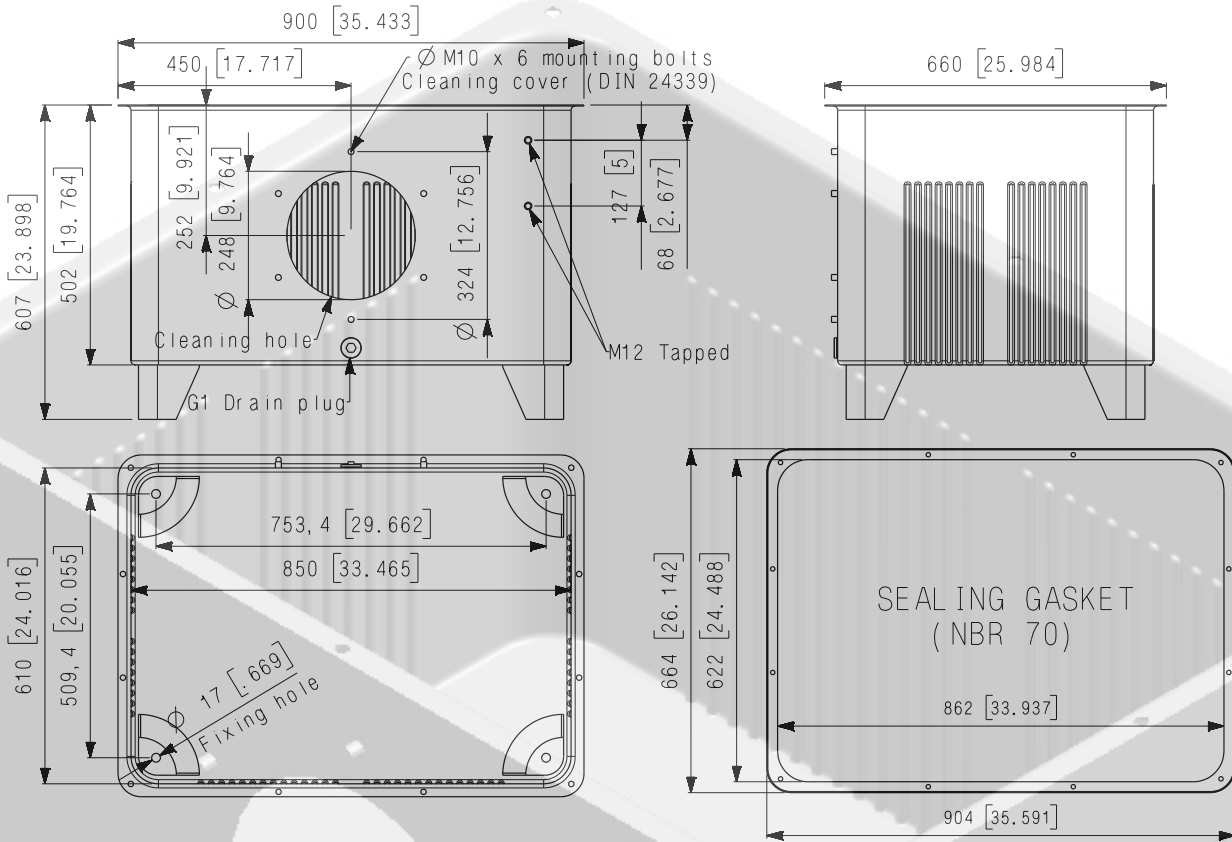


See page 27 for price list

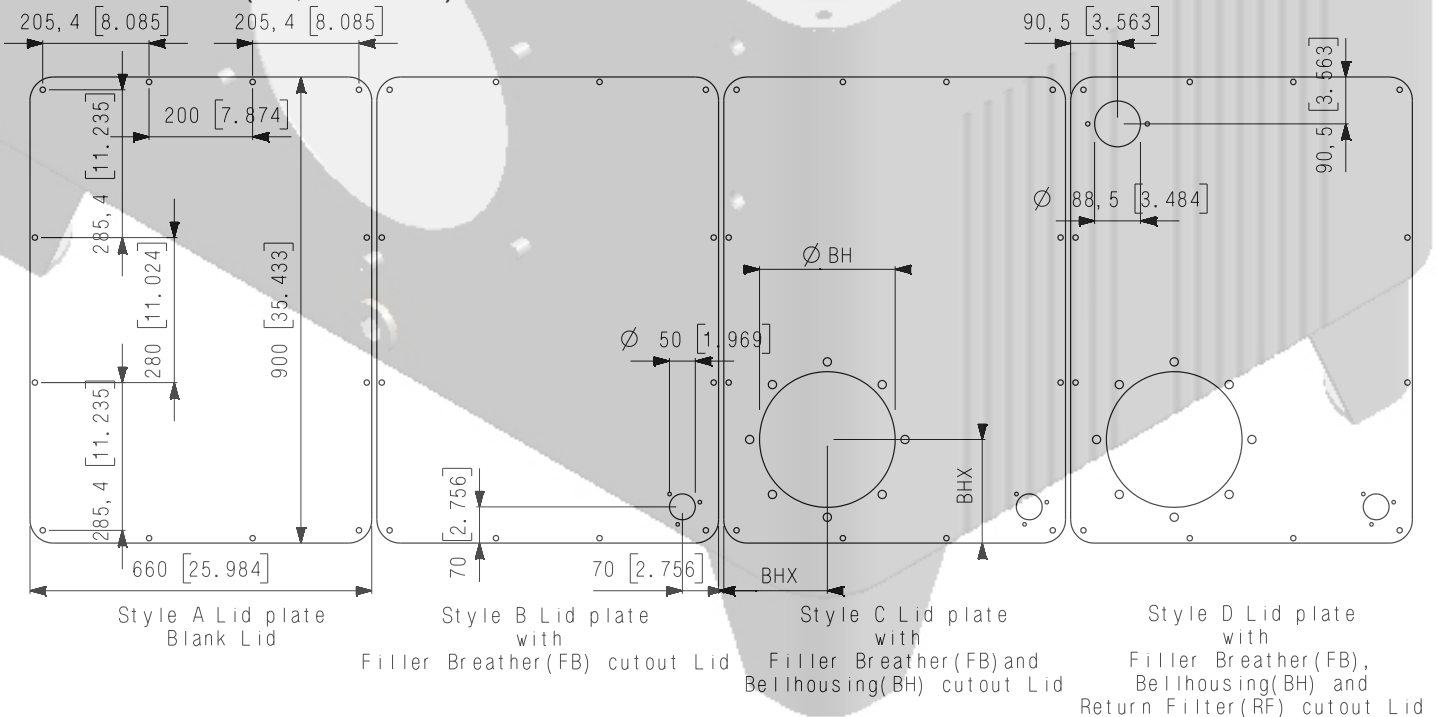
FLOWFIT reserves the right to change specifications and information without notice.

Weldless Steel Tank 250 Litre Type A (66,0 Gallon)

mm [in]



Lid 250 Litre (66,0 Gallon)

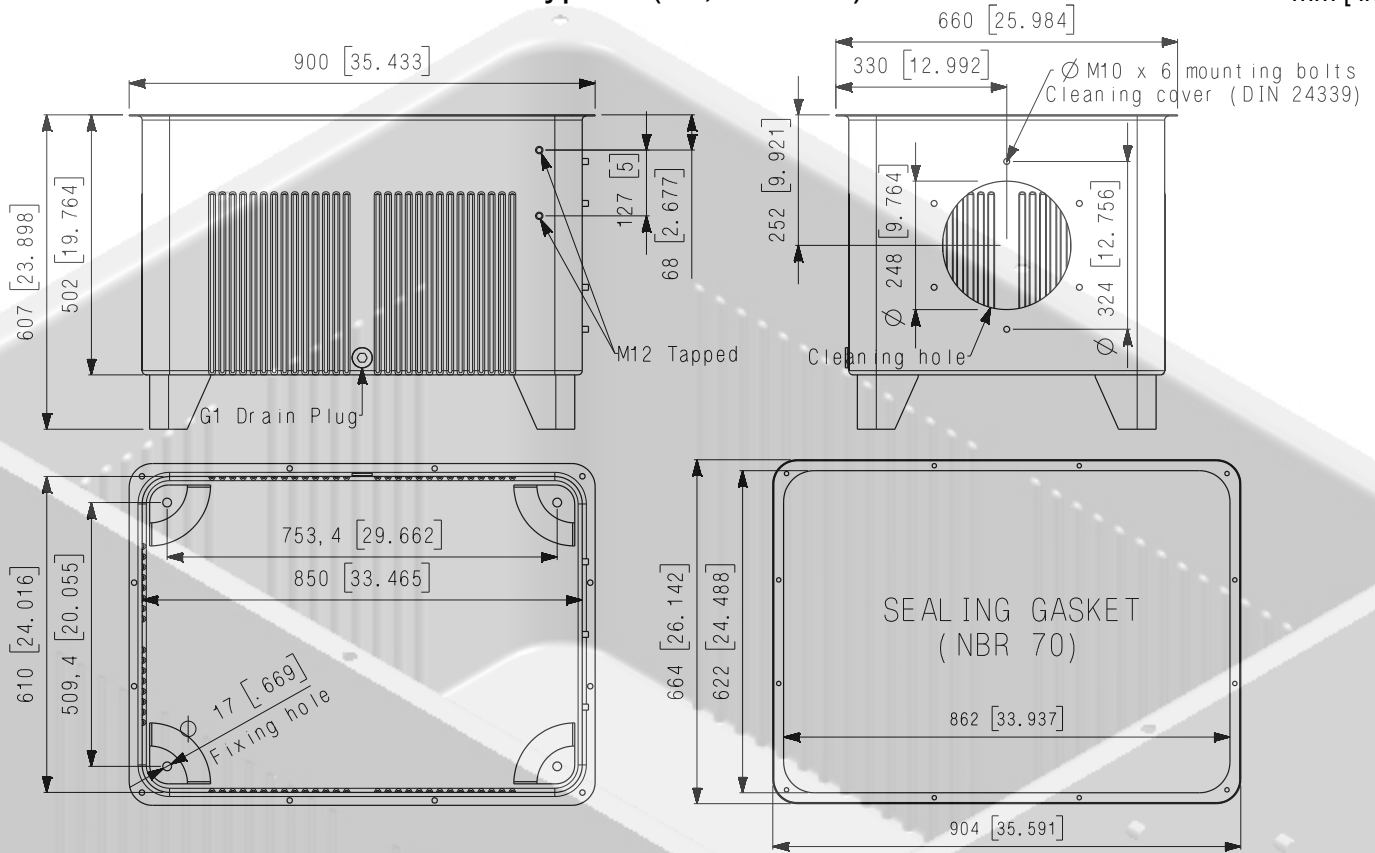


See page 28 for price list

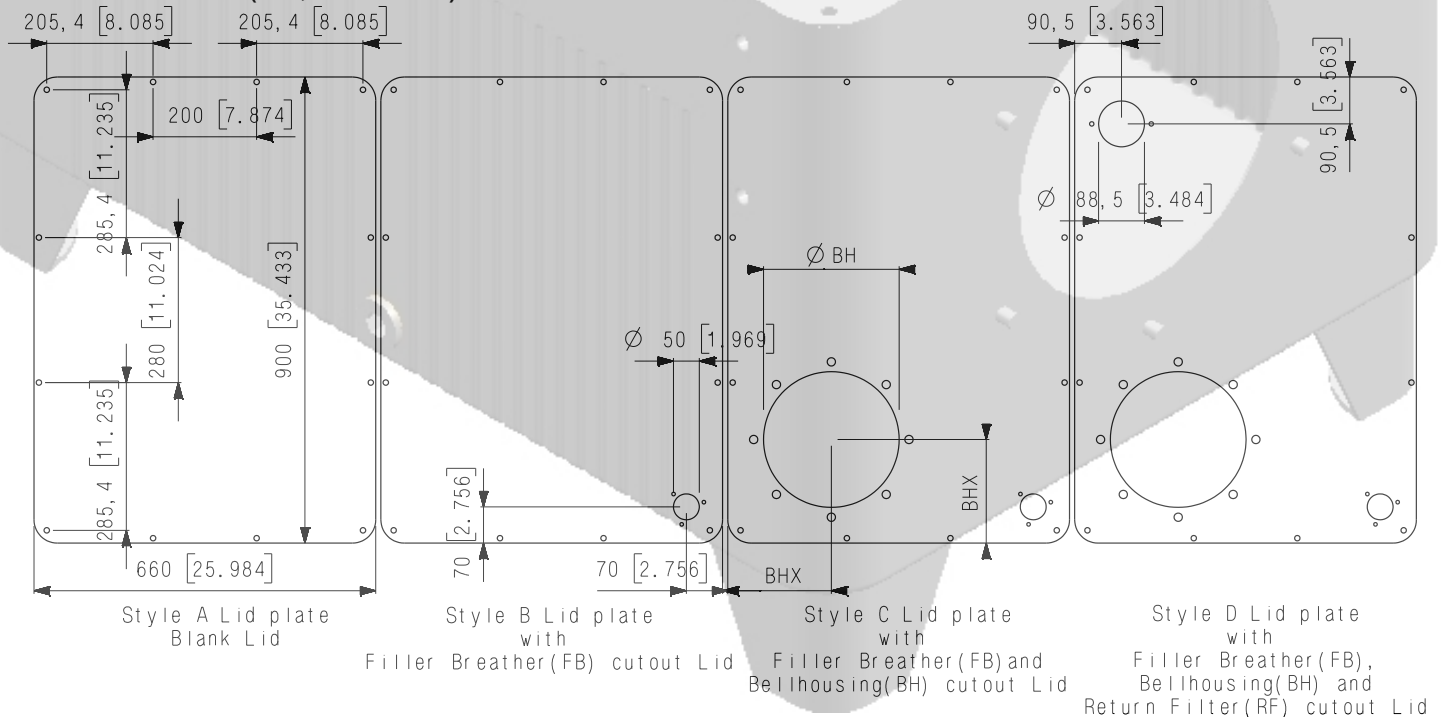
FLOWFIT reserves the right to change specifications and information without notice.

Weldless Steel Tank 250 Litre Type B (66,0 Gallon)

mm [in]



Lid 250 Litre (66,0 Gallon)

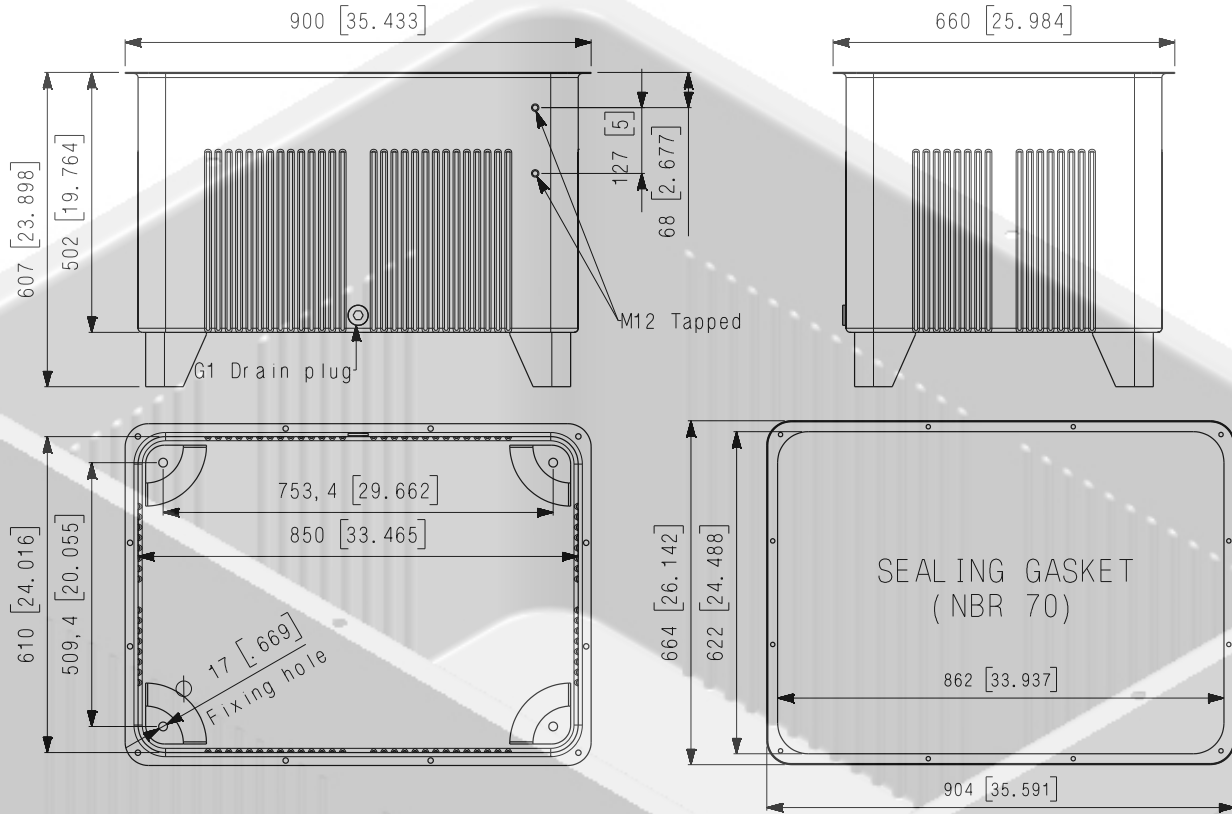


See page 28 for price list

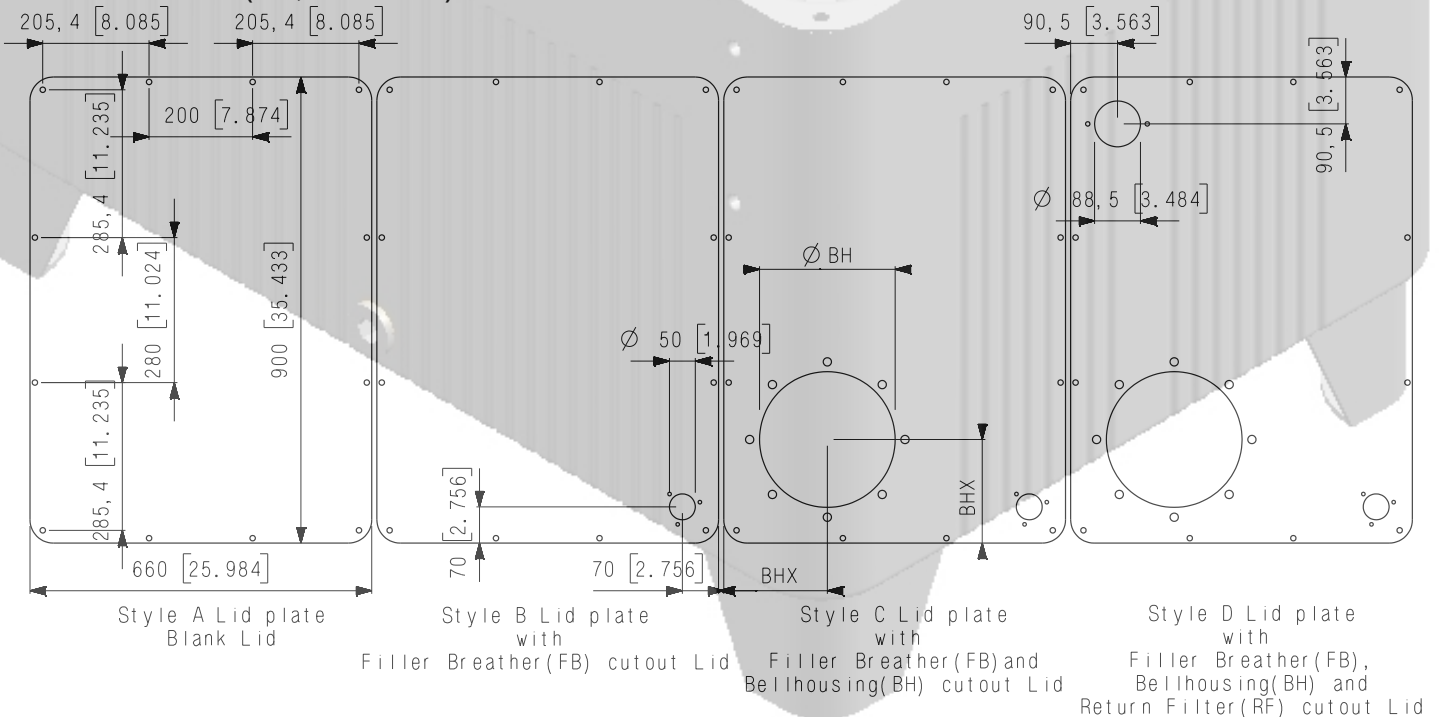
FLOWFIT reserves the right to change specifications and information without notice.

Weldless Steel Tank 250 Litre Type C (66,0 Gallon)

mm [in]



Lid 250 Litre (66,0 Gallon)



See page 28 for price list

FLOWFIT reserves the right to change specifications and information without notice.

Weights Chart for Tanks, Lids and Sealing Gasket

CAPACITY (LT.)		6	12	25	40	70	100	160	250						
Type		A	B	A	B	A-B	C	A-B	C						
TANK BODY		2,88 kg	2,73 kg	4,20 kg	3,96 kg	6,72 kg	9,20 kg	13,19 kg	13,59 kg	16,66 kg	17,06 kg	22,86 kg	23,74 kg	31,70 kg	32,68 kg
SEALING GASKET		0,10 kg		0,12 kg		0,20 kg	0,22 kg	0,26 kg		0,29 kg		0,34 kg		0,40 kg	
LID THICKNESS		3mm		3mm		3mm		4mm		4mm		5mm		5mm	
Style A	BLANK LID	1,48 kg		2,12 kg		3,39 kg	4,53 kg	8,54 kg		10,59 kg		17,30 kg		23,15 kg	
Style B	FB	1,47 kg		2,10 kg		3,37 kg	4,48 kg	8,48 kg		10,53 kg		17,22 kg		23,07 kg	
	FB+BH Ø 140			1,92 kg											
	FB+BH Ø 160			1,86 kg		3,13 kg									
	FB+BH Ø 200			1,69 kg		2,96 kg	4,07 kg	7,92 kg		9,98 kg					
Style C	FB+BH Ø 250					2,67 kg	3,78 kg	7,54 kg		9,59 kg		16,04 kg		21,89 kg	
	FB+BH Ø 300						3,43 kg	7,08 kg		9,13 kg		15,47 kg		21,32 kg	
	FB+BH Ø 350							6,74 kg		8,79 kg		15,04 kg		20,89 kg	
	FB+BH Ø 400													20,19 kg	
	FB+BH Ø 450													19,19 kg	
	FB+BH Ø 140 +RF	1,20 kg													
	FB+BH Ø 160 +RF	1,14 kg				3,05 kg									
	FB+BH Ø 200 +RF			1,61 kg		2,88 kg	3,92 kg	7,72 kg		9,78 kg					
Style D	FB+BH Ø 250 +RF					2,59 kg	3,63 kg	7,34 kg		9,39 kg		15,79 kg		21,64 kg	
	FB+BH Ø 300 +RF						3,28 kg	6,88 kg		8,93 kg		15,22 kg		21,07 kg	
	FB+BH Ø 350 +RF							6,54 kg		8,59 kg		14,79 kg		20,64 kg	
	FB+BH Ø 400 +RF													19,94 kg	
	FB+BH Ø 450 +RF													18,94 kg	

FB - Filler Breather , BH - Bellhousing , RF - Return Filter

Chart for Bellhousing

CAPACITY (LT.)	Ø BH	6 BHX	12 BHX	25 BHX	40 BHX	70 BHX	100 BHX	160 BHX	250 BHX
Ø 140	Ø 97	90	90	-	-	-	-	-	-
Ø 160	Ø 112	100	100	105	-	-	-	-	-
Ø 200	Ø 147	110	120	125	125	125	125	-	-
Ø 250	Ø 192	-	-	150	150	150	150	150	150
Ø 300	Ø 236	-	-	-	175	175	175	175	175
Ø 350	Ø 262	-	-	-	-	188	200	200	200
Ø 400	Ø 302	-	-	-	-	-	-	-	225
Ø 450	Ø 352	-	-	-	-	-	-	-	250

Value Added Service Available

Flowfit can laser cut Different Shapes in your Lids and tanks for

- Supply Lines
- Return Lines
- Drain Lines
- Pump / Motor mount holes for vertical installations
- Filler / Breather holes
- Level Gauges (on Tanks) with M12 tapped
- Mounting holes

WELDLESS STEEL TANKS FOR HYDRAULIC POWER UNITS

PART NUMBER	DESCRIPTION	LIST PRICE
6 LITRE STEEL TANKS		
FFT-6A*	6 L TANK C/W PLAIN LID INC. TANK SEAL AND DRAIN PLUG TYPE A	
FFT-6BHFB140A	6 L TANK WITH FB & BH HOLE 140MM OD MACHINED LID INC. TANK SEAL AND DRAIN PLUG TYPE A	
FFT-6BHFB160A*	6 L TANK WITH FB & BH HOLE 160MM OD MACHINED LID INC. TANK SEAL AND DRAIN PLUG TYPE A	
FFT-6BHFB200A	6 L TANK WITH FB & BH HOLE 200MM OD MACHINED LID INC. TANK SEAL AND DRAIN PLUG TYPE A	
FFT-6BHFBRL140A	6 L TANK WITH FB , BH HOLE & RLF 140MM OD MACHINED LID INC. TANK SEAL AND DRAIN PLUG TYPE A	
FFT-6BHFBRL160A*	6 L TANK WITH FB , BH HOLE & RLF 160MM OD MACHINED LID INC. TANK SEAL AND DRAIN PLUG TYPE A	
FFT-6BHFBRL200A	6 L TANK WITH FB , BH HOLE & RLF 200MM OD MACHINED LID INC. TANK SEAL AND DRAIN PLUG TYPE A	
FFT-6B	6 L TANK C/W PLAIN LID INC. TANK SEAL AND DRAIN PLUG SUPPLIED WITH FIXING POINTS TYPE B	
FFT-6BHFB140B	6 L TANK WITH FB & BH HOLE 140MM OD MACHINED LID INC. TANK SEAL AND DRAIN PLUG WITH FIXING POINTS TYPE B	
FFT-6BHFB160B	6 L TANK WITH FB & BH HOLE 160MM OD MACHINED LID INC. TANK SEAL AND DRAIN PLUG WITH FIXING POINTS TYPE B	
FFT-6BHFB200B	6 L TANK WITH FB & BH HOLE 200MM OD MACHINED LID INC. TANK SEAL AND DRAIN PLUG WITH FIXING POINTS TYPE B	
FFT-6BHFBRL140B	6 L TANK WITH FB , BH HOLE & RLF 140MM OD MACHINED LID INC. TANK SEAL AND DRAIN PLUG WITH FIXING POINTS TYPE B	
FFT-6BHFBRL160B	6 L TANK WITH FB , BH HOLE & RLF 160MM OD MACHINED LID INC. TANK SEAL AND DRAIN PLUG WITH FIXING POINTS TYPE B	
FFT-6BHFBRL200B	6 L TANK WITH FB , BH HOLE & RLF 200MM OD MACHINED LID INC. TANK SEAL AND DRAIN PLUG WITH FIXING POINTS TYPE B	
12 LITRE STEEL TANKS		
FFT-12A*	12 L TANK C/W PLAIN LID INC. TANK SEAL AND DRAIN PLUG TYPE A	
FFT-12BHFB140A	12 L TANK WITH FB & BH HOLE 140MM OD MACHINED LID INC. TANK SEAL AND DRAIN PLUG TYPE A	
FFT-12BHFB160A	12 L TANK WITH FB & BH HOLE 160MM OD MACHINED LID INC. TANK SEAL AND DRAIN PLUG TYPE A	
FFT-12BHFB200A*	12 L TANK WITH FB & BH HOLE 200MM OD MACHINED LID INC. TANK SEAL AND DRAIN PLUG TYPE A	
FFT-12BHFBRL140A	12 L TANK WITH FB , BH HOLE & RLF 140MM OD	
FFT-12BHFBRL160A	12 L TANK WITH FB , BH HOLE & RLF 160MM OD	
FFT-12BHFBRL200A*	12 L TANK WITH FB , BH HOLE & RLF 200MM OD	
FFT-12B	12L PLAIN TANK C/W FIXING HOLES ON TANK	
FFT-12BHFB140B	12 L TANK WITH FB & BH HOLE 140MM OD C/W FIXING HOLES ON TANK	
FFT-12BHFB160B	12 L TANK WITH FB & BH HOLE 160MM OD C/W FIXING HOLES ON TANK	
FFT-12BHFB200B	12 L TANK WITH FB & BH HOLE 200MM OD C/W FIXING HOLES ON TANK	
FFT-12BHFBRL140B	12 L TANK WITH FB , BH HOLE & RLF 140MM OD C/W FIXING HOLES ON TANK	
FFT-12BHFBRL160B	12 L TANK WITH FB , BH HOLE & RLF 160MM OD C/W FIXING HOLES ON TANK	
FFT-12BHFBRL200B	12 L TANK WITH FB , BH HOLE & RLF 200MM OD C/W FIXING HOLES ON TANK	
25 LITRE STEEL TANKS		
FFT-25A*	25 L TANK C/W PLAIN LID INC. TANK SEAL AND DRAIN PLUG TYPE A	
FFT-25BHFB160A	25 L TANK WITH FB & BH HOLE 160MM OD MACHINED LID INC. TANK SEAL AND DRAIN PLUG TYPE A	
FFT-25BHFB200A*	25 L TANK WITH FB & BH HOLE 200MM OD MACHINED LID INC. TANK SEAL AND DRAIN PLUG TYPE A	
FFT-25BHFB250A	25 L TANK WITH FB & BH HOLE 250MM OD MACHINED LID INC. TANK SEAL AND DRAIN PLUG TYPE A	
FFT-25BHFBRL160A	25 L TANK WITH FB , BH HOLE & RLF 160MM OD	
FFT-25BHFBRL200A*	25 L TANK WITH FB , BH HOLE & RLF 200MM OD	
FFT-25BHFBRL250A	25 L TANK WITH FB , BH HOLE & RLF 250MM OD	
40 LITRE STEEL TANKS		
FFT-40*	40L PLAIN TANK	
FFT-40BHFB200*	40 L TANK WITH FB & BH HOLE 200MM OD	
FFT-40BHFB250	40 L TANK WITH FB & BH HOLE 250MM OD	
FFT-40BHFB300	40 L TANK WITH FB & BH HOLE 300MM OD	
FFT-40BHFBRL200*	40 L TANK WITH FB , BH HOLE & RLF 200MM OD	
FFT-40BHFBRL250	40 L TANK WITH FB , BH HOLE & RLF 250MM OD	
FFT-40BHFBRL300	40 L TANK WITH FB , BH HOLE & RLF 300MM OD	

* = UK STOCK

WELDLESS STEEL TANKS FOR HYDRAULIC POWER UNITS

PART NUMBER	DESCRIPTION	LIST PRICE
70 LITRE STEEL TANKS		
FFT-70C*	70L PLAIN TANK	
FFT-70BHFB200C	70 L TANK WITH FB & BH HOLE 200MM OD	
FFT-70BHFB250C*	70 L TANK WITH FB & BH HOLE 250MM OD	
FFT-70BHFB300C	70 L TANK WITH FB & BH HOLE 300MM OD	
FFT-70BHFB350C	70 L TANK WITH FB & BH HOLE 350MM OD	
FFT-70BHFBRL200C	70 L TANK WITH FB & BH HOLE 200MM OD	
FFT-70BHFBRL250C*	70 L TANK WITH FB , BH HOLE & RLF 250MM OD	
FFT-70BHFBRL300C	70 L TANK WITH FB , BH HOLE & RLF 300MM OD	
FFT-70BHFBRL350C	70 L TANK WITH FB , BH HOLE & RLF 350MM OD	
FFT-70A	70L PLAIN TANK C/W INSPECTION COVER MACHINED ON FRONT FACE	
FFT-70BHFB200A	70 L TANK WITH FB & BH HOLE 200MM OD C/W INSPECTION COVER MACHINED ON FRONT FACE	
FFT-70BHFB250A	70 L TANK WITH FB & BH HOLE 250MM OD C/W INSPECTION COVER MACHINED ON FRONT FACE	
FFT-70BHFB300A	70 L TANK WITH FB & BH HOLE 300MM OD C/W INSPECTION COVER MACHINED ON FRONT FACE	
FFT-70BHFB350A	70 L TANK WITH FB & BH HOLE 350MM OD C/W INSPECTION COVER MACHINED ON FRONT FACE	
FFT-70BHFBRL200A	70 L TANK WITH FB & BH HOLE 200MM OD C/W INSPECTION COVER MACHINED ON FRONT FACE	
FFT-70BHFBRL250A	70 L TANK WITH FB , BH HOLE & RLF 250MM OD C/W INSPECTION COVER MACHINED ON FRONT FACE	
FFT-70BHFBRL300A	70 L TANK WITH FB , BH HOLE & RLF 300MM OD C/W INSPECTION COVER MACHINED ON FRONT FACE	
FFT-70BHFBRL350A	70 L TANK WITH FB , BH HOLE & RLF 350MM OD C/W INSPECTION COVER MACHINED ON FRONT FACE	
FFT-70B	70 L PLAIN TANK C/W INSPECTION COVER MACHINED ON END FACE	
FFT-70BHFB200B	70 L TANK WITH FB & BH HOLE 200MM OD C/W INSPECTION COVER MACHINED ON END FACE	
FFT-70BHFB250B	70 L TANK WITH FB & BH HOLE 250MM OD C/W INSPECTION COVER MACHINED ON END FACE	
FFT-70BHFB300B	70 L TANK WITH FB & BH HOLE 300MM OD C/W INSPECTION COVER MACHINED ON END FACE	
FFT-70BHFB350B	70 L TANK WITH FB & BH HOLE 350MM OD C/W INSPECTION COVER MACHINED ON END FACE	
FFT-70BHFBRL200B	70 L TANK WITH FB & BH HOLE 200MM OD C/W INSPECTION COVER MACHINED ON END FACE	
FFT-70BHFBRL250B	70 L TANK WITH FB , BH HOLE & RLF 250MM OD C/W INSPECTION COVER MACHINED ON END FACE	
FFT-70BHFBRL300B	70 L TANK WITH FB , BH HOLE & RLF 300MM OD C/W INSPECTION COVER MACHINED ON END FACE	
FFT-70BHFBRL350B	70 L TANK WITH FB , BH HOLE & RLF 350MM OD C/W INSPECTION COVER MACHINED ON END FACE	

* = UK STOCK

WELDLESS STEEL TANKS FOR HYDRAULIC POWER UNITS

PART NUMBER	DESCRIPTION	LIST PRICE
100 LITRE STEEL TANKS		
FFT-100C*	100L PLAIN TANK	
FFT-100BHFB200C	100 L TANK WITH FB & BH HOLE 200MM OD	
FFT-100BHFB250C	100 L TANK WITH FB & BH HOLE 250MM OD	
FFT-100BHFB300C*	100 L TANK WITH FB & BH HOLE 300MM OD	
FFT-100BHFB350C	100 L TANK WITH FB & BH HOLE 350MM OD	
FFT-100BHFBRL200C	100 L TANK WITH FB, BH HOLE & RLF 200MM OD	
FFT-100BHFBRL250C	100 L TANK WITH FB, BH HOLE & RLF 250MM OD	
FFT-100BHFBRL300C*	100 L TANK WITH FB, BH HOLE & RLF 300MM OD	
FFT-100BHFBRL350C	100 L TANK WITH FB, BH HOLE & RLF 350MM OD	
FFT-100A	100L PLAIN TANK C/W INSPECTION COVER MACHINED ON FRONT FACE	
FFT-100BHFB200A	100 L TANK WITH FB & BH HOLE 200MM OD C/W INSPECTION COVER MACHINED ON FRONT FACE	
FFT-100BHFB250A	100 L TANK WITH FB & BH HOLE 250MM OD C/W INSPECTION COVER MACHINED ON FRONT FACE	
FFT-100BHFB300A	100 L TANK WITH FB & BH HOLE 300MM OD C/W INSPECTION COVER MACHINED ON FRONT FACE	
FFT-100BHFB350A	100 L TANK WITH FB & BH HOLE 350MM OD C/W INSPECTION COVER MACHINED ON FRONT FACE	
FFT-100BHFBRL200A	100 L TANK WITH FB, BH HOLE & RLF 200MM OD C/W INSPECTION COVER MACHINED ON FRONT FACE	
FFT-100BHFBRL250A	100 L TANK WITH FB, BH HOLE & RLF 250MM OD C/W INSPECTION COVER MACHINED ON FRONT FACE	
FFT-100BHFBRL300A	100 L TANK WITH FB, BH HOLE & RLF 300MM OD C/W INSPECTION COVER MACHINED ON FRONT FACE	
FFT-100BHFBRL350A	100 L TANK WITH FB, BH HOLE & RLF 350MM OD C/W INSPECTION COVER MACHINED ON FRONT FACE	
FFT-100B	100L PLAIN TANK C/W INSPECTION COVER MACHINED ON END FACE	
FFT-100BHFB200B	100 L TANK WITH FB & BH HOLE 200MM OD C/W INSPECTION COVER MACHINED ON END FACE	
FFT-100BHFB250B	100 L TANK WITH FB & BH HOLE 250MM OD C/W INSPECTION COVER MACHINED ON END FACE	
FFT-100BHFB300B	100 L TANK WITH FB & BH HOLE 300MM OD C/W INSPECTION COVER MACHINED ON END FACE	
FFT-100BHFB350B	100 L TANK WITH FB & BH HOLE 350MM OD C/W INSPECTION COVER MACHINED ON END FACE	
FFT-100BHFBRL200B	100 L TANK WITH FB, BH HOLE & RLF 200MM OD C/W INSPECTION COVER MACHINED ON END FACE	
FFT-100BHFBRL250B	100 L TANK WITH FB, BH HOLE & RLF 250MM OD C/W INSPECTION COVER MACHINED ON END FACE	
FFT-100BHFBRL300B	100 L TANK WITH FB, BH HOLE & RLF 300MM OD C/W INSPECTION COVER MACHINED ON END FACE	
FFT-100BHFBRL350B	100 L TANK WITH FB, BH HOLE & RLF 350MM OD C/W INSPECTION COVER MACHINED ON END FACE	
160 LITRE STEEL TANKS		
FFT-160C	160L PLAIN TANK	
FFT-160BHFB250C	160 L TANK WITH FB & BH HOLE 250MM OD	
FFT-160BHFB300C	160 L TANK WITH FB & BH HOLE 300MM OD	
FFT-160BHFB350C	160 L TANK WITH FB & BH HOLE 350MM OD	
FFT-160BHFBRL250C	160 L TANK WITH FB , BH HOLE & RLF 250MM OD	
FFT-160BHFBRL300C	160 L TANK WITH FB , BH HOLE & RLF 300MM OD	
FFT-160BHFBRL350C	160 L TANK WITH FB , BH HOLE & RLF 350MM OD	
FFT-160A	160L PLAIN TANK C/W INSPECTION COVER MACHINED ON FRONT FACE	
FFT-160BHFB250A	160 L TANK WITH FB & BH HOLE 250MM OD C/W INSPECTION COVER MACHINED ON FRONT FACE	
FFT-160BHFB300A	160 L TANK WITH FB & BH HOLE 300MM OD C/W INSPECTION COVER MACHINED ON FRONT FACE	
FFT-160BHFB350A	160 L TANK WITH FB & BH HOLE 350MM OD C/W INSPECTION COVER MACHINED ON FRONT FACE	
FFT-100BHFBRL250A	160 L TANK WITH FB , BH HOLE & RLF 250MM OD C/W INSPECTION COVER MACHINED ON FRONT FACE	
FFT-100BHFBRL300A	160 L TANK WITH FB , BH HOLE & RLF 300MM OD C/W INSPECTION COVER MACHINED ON FRONT FACE	
FFT-100BHFBRL350A	160 L TANK WITH FB , BH HOLE & RLF 350MM OD C/W INSPECTION COVER MACHINED ON FRONT FACE	
FFT-160B	160L PLAIN TANK C/W INSPECTION COVER MACHINED ON END FACE	
FFT-160BHFB250B	160 L TANK WITH FB & BH HOLE 250MM OD C/W INSPECTION COVER MACHINED ON END FACE	
FFT-160BHFB300B	160 L TANK WITH FB & BH HOLE 300MM OD C/W INSPECTION COVER MACHINED ON END FACE	
FFT-160BHFB350B	160 L TANK WITH FB & BH HOLE 350MM OD C/W INSPECTION COVER MACHINED ON END FACE	
FFT-100BHFBRL250B	160 L TANK WITH FB , BH HOLE & RLF 250MM OD C/W INSPECTION COVER MACHINED ON END FACE	
FFT-100BHFBRL300B	160 L TANK WITH FB , BH HOLE & RLF 300MM OD C/W INSPECTION COVER MACHINED ON END FACE	
FFT-100BHFBRL350B	160 L TANK WITH FB , BH HOLE & RLF 350MM OD C/W INSPECTION COVER MACHINED ON END FACE	

* = UK STOCK

WELDLESS STEEL TANKS FOR HYDRAULIC POWER UNITS

PART NUMBER	DESCRIPTION	LIST PRICE
250 LITRE STEEL TANKS		
FFT-250C	250 L PLAIN TANK	
FFT-250BHFB250C	250 L TANK WITH FB & BH HOLE 250MM OD	
FFT-250BHFB300C	250 L TANK WITH FB & BH HOLE 300MM OD	
FFT-250BHFB350C	250 L TANK WITH FB & BH HOLE 350MM OD	
FFT-250BHFB400C	250 L TANK WITH FB & BH HOLE 400MM OD	
FFT-250BHFB450C	250 L TANK WITH FB & BH HOLE 450MM OD	
FFT-250BHFBR250C	250 L TANK WITH FB , BH HOLE & RLF 250MM OD	
FFT-250BHFBR300C	250 L TANK WITH FB , BH HOLE & RLF 300MM OD	
FFT-250BHFBR350C	250 L TANK WITH FB , BH HOLE & RLF 350MM OD	
FFT-250BHFBR400C	250 L TANK WITH FB , BH HOLE & RLF 400MM OD	
FFT-250BHFBR450C	250 L TANK WITH FB , BH HOLE & RLF 450MM OD	
FFT-250A	250 L PLAIN TANK C/W INSPECTION COVER MACHINED ON FRONT FACE	
FFT-250BHFB250A	250 L TANK WITH FB & BH HOLE 250MM OD C/W INSPECTION COVER MACHINED ON FRONT FACE	
FFT-250BHFB300A	250 L TANK WITH FB & BH HOLE 300MM OD C/W INSPECTION COVER MACHINED ON FRONT FACE	
FFT-250BHFB350A	250 L TANK WITH FB & BH HOLE 350MM OD C/W INSPECTION COVER MACHINED ON FRONT FACE	
FFT-250BHFB400A	250 L TANK WITH FB & BH HOLE 400MM OD C/W INSPECTION COVER MACHINED ON FRONT FACE	
FFT-250BHFB450A	250 L TANK WITH FB & BH HOLE 450MM OD C/W INSPECTION COVER MACHINED ON FRONT FACE	
FFT-250BHFBR250A	250 L TANK WITH FB , BH HOLE & RLF 250MM OD C/W INSPECTION COVER MACHINED ON FRONT FACE	
FFT-250BHFBR300A	250 L TANK WITH FB , BH HOLE & RLF 300MM OD C/W INSPECTION COVER MACHINED ON FRONT FACE	
FFT-250BHFBR350A	250 L TANK WITH FB , BH HOLE & RLF 350MM OD C/W INSPECTION COVER MACHINED ON FRONT FACE	
FFT-250BHFBR400A	250 L TANK WITH FB , BH HOLE & RLF 400MM OD C/W INSPECTION COVER MACHINED ON FRONT FACE	
FFT-250BHFBR450A	250 L TANK WITH FB , BH HOLE & RLF 450MM OD C/W INSPECTION COVER MACHINED ON FRONT FACE	
FFT-250B	250 L PLAIN TANK C/W INSPECTION COVER MACHINED ON END FACE	
FFT-250BHFB250B	250 L TANK WITH FB & BH HOLE 250MM OD C/W INSPECTION COVER MACHINED ON END FACE	
FFT-250BHFB300B	250 L TANK WITH FB & BH HOLE 300MM OD C/W INSPECTION COVER MACHINED ON END FACE	
FFT-250BHFB350B	250 L TANK WITH FB & BH HOLE 350MM OD C/W INSPECTION COVER MACHINED ON END FACE	
FFT-250BHFB400B	250 L TANK WITH FB & BH HOLE 400MM OD C/W INSPECTION COVER MACHINED ON END FACE	
FFT-250BHFB450B	250 L TANK WITH FB & BH HOLE 450MM OD C/W INSPECTION COVER MACHINED ON END FACE	
FFT-250BHFBR250B	250 L TANK WITH FB , BH HOLE & RLF 250MM OD C/W INSPECTION COVER MACHINED ON END FACE	
FFT-250BHFBR300B	250 L TANK WITH FB , BH HOLE & RLF 300MM OD C/W INSPECTION COVER MACHINED ON END FACE	
FFT-250BHFBR350B	250 L TANK WITH FB , BH HOLE & RLF 350MM OD C/W INSPECTION COVER MACHINED ON END FACE	
FFT-250BHFBR400B	250 L TANK WITH FB , BH HOLE & RLF 400MM OD C/W INSPECTION COVER MACHINED ON END FACE	
FFT-250BHFBR450B	250 L TANK WITH FB , BH HOLE & RLF 450MM OD C/W INSPECTION COVER MACHINED ON END FACE	
FB= FILLER BREATHER		
RLF= RETURN LINE FILTER		
BH= BELL HOUSING		
PLEASE NOTE THE LARGER TANK 160 AND 250 LITRES WILL BE AVAILABLE END OF 2014!		
PLEASE NOTE TANKS READY MACHINED FOR INSPECTION COVERS, ARE NOT SUPPLIED WITH INSPECTION COVERS		

* = UK STOCK

