

CETOP 5 VALVES • SECTION NP4

FLOWFIT CETOP 5 VALVES

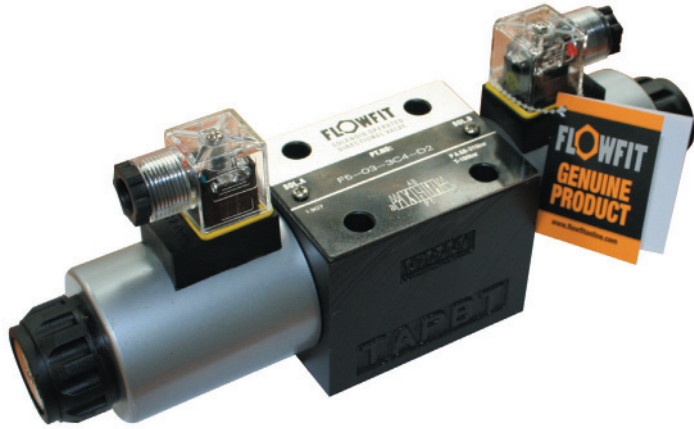
FLOWFIT CETOP 5 NG10 SOLENOID DIRECTIONAL CONTROL VALVES	NP56
FLOWFIT CETOP 5 NG10 MODULAR RELIEF VALVE	NP60
FLOWFIT CETOP 5 NG10 MODULAR REDUCING VALVE.....	NP62
FLOWFIT CETOP 5 NG10 MODULAR CHECK VALVE.....	NP64
FLOWFIT CETOP 5 NG10 MODULAR PILOT OPERATED CHECK VALVE	NP66
FLOWFIT CETOP 5 NG10 MODULAR FLOW CONTROL VALVE	NP68
FLOWFIT CETOP 5 NG10 STEEL PARALLEL CIRCUIT MANIFOLD	NP70
FLOWFIT CETOP 5 NG10 STEEL PARALLEL CIRCUIT MANIFOLD WITH RELIEF VALVE	NP72
FLOWFIT CETOP 5 NG10 STEEL SUBPLATE WITH SIDE PORTS	NP74
FLOWFIT CETOP 5 NG10 STEEL SUBPLATE WITH BASE PORTS	NP75
FLOWFIT CETOP 5 NG10 STEEL COVER PLATE	NP76



FLOWFIT®



FLOWFIT CETOP 5 NG10 SOLENOID DIRECTIONAL CONTROL VALVES



FLOWFIT CETOP 5 NG10 SOLENOID DIRECTIONAL CONTROL VALVE

Flowfit offer a large range of solenoid operated CETOP 5 NG10 with a maximum flow of 120 l/min, commonly used in powerpacks and other hydraulic applications. Available in 12VDC, 24VDC, 110VAC and 220VAC.

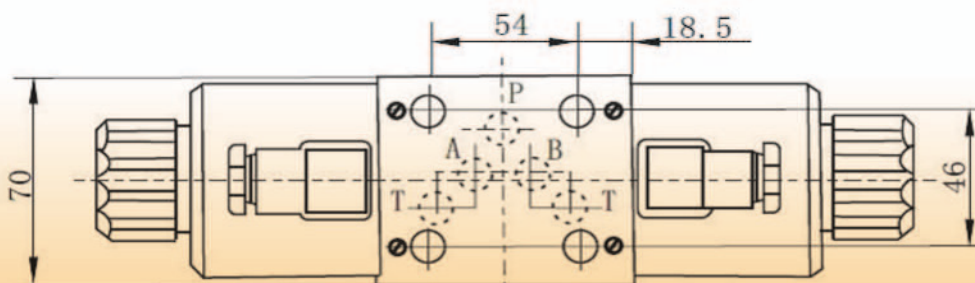
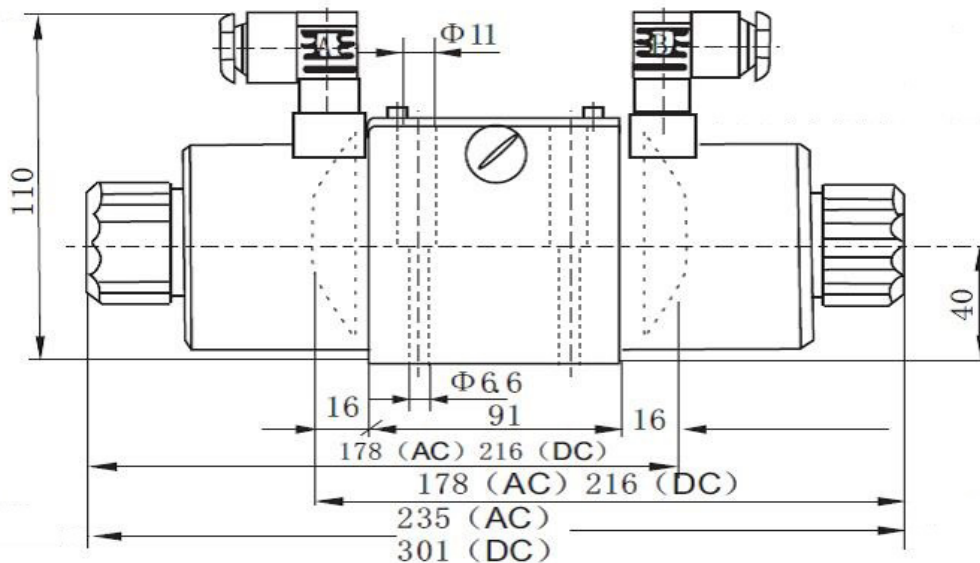
Flowfit F5-03 series CETOP 5 NG10 solenoid valves are Electro-Hydraulic spool type valves. They are solenoid operated and control the start, stop and direction of the oil flow in the hydraulic circuit.

They are used for hydraulic powerpacks as well as for stand alone hydraulic manifold blocks.



SPECIFICATION

- Nominal Size:** NG10
- Maximum Flow Rate:** 120 l/min
- Maximum Pressure:** A,B,P = 315 Bar
- Seal Material:-** NBR
- Max Fluid Temperature:** -20° to 70°C
- Oil Viscosity:** -2.8 to 380 mm²/s
- Switch Cycles** Open: 50 ~ 60ms
Closed: 50 ~ 70ms
- Switch Frequency:** 15000 times per hour
- Insulation Grade:** IP65
- Weight:** Single Solenoid: 4.8kg,
Double Solenoid: 6.1kg
- Voltages:** 12VDC=D1, 24VDC=D2, 110V/AC 50HZ=A1,
220V/AC 50HZ=A2
- Manual Override:** Standard on all valves
- Connector Type:** DIN Plug (with LED)

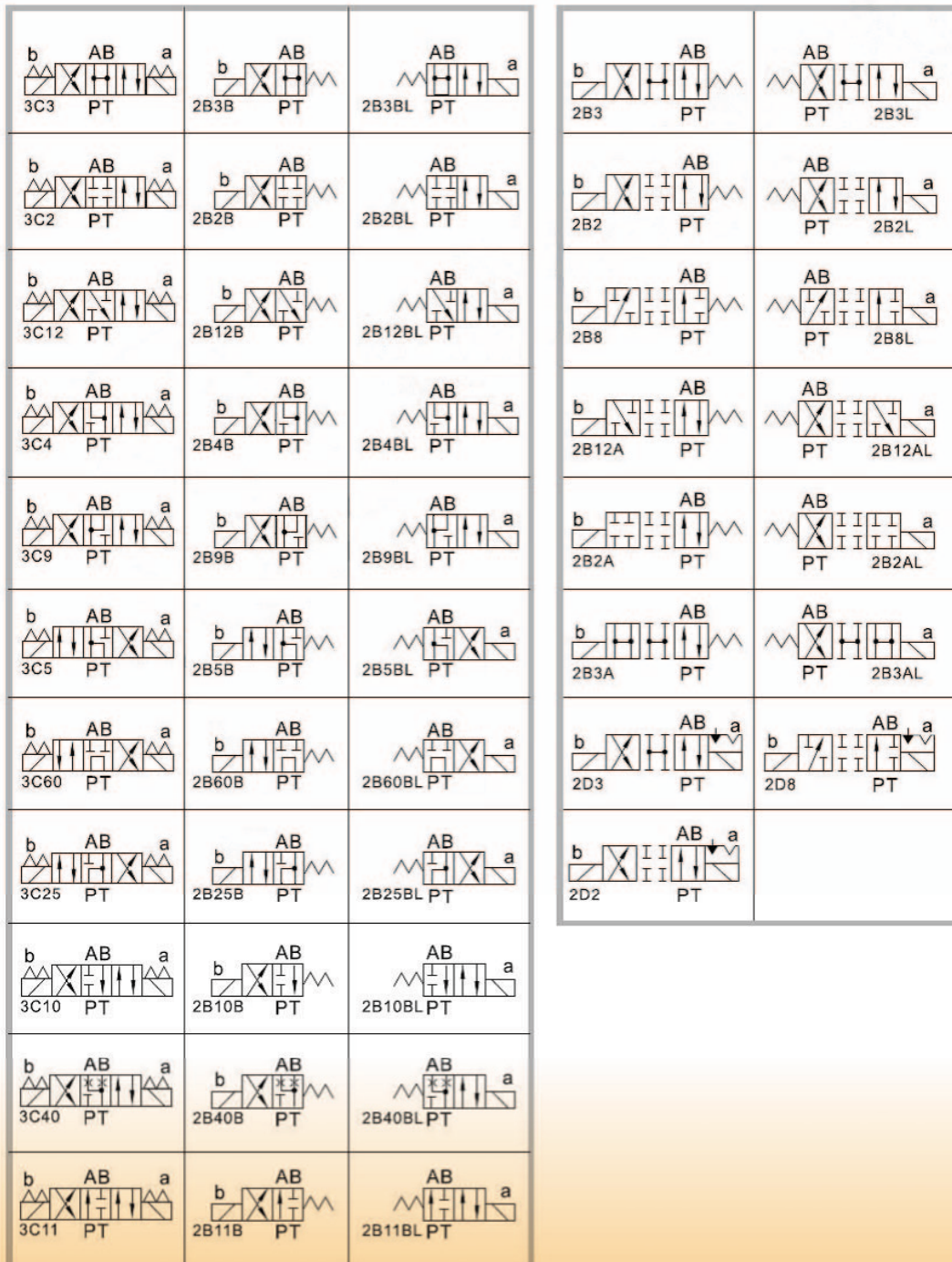


FLOWFIT CETOP 5 NG10 SOLENOID DIRECTIONAL CONTROL VALVES

SPRING CENTERED 3 POSITION SOLENOID DIRECTIONAL CONTROL VALVE

PRODUCT REFERENCE	SINGLE/DOUBLE SOLENOID	CONFIGURATION	SPOOL RETURN	RRP
F5-03-2B12BL-**	SINGLE	2 POSITION	SPRING	£99.64
F5-03-2B25B-**	SINGLE	2 POSITION	SPRING	£99.64
F5-03-2B25BL-**	SINGLE	2 POSITION	SPRING	£99.64
F5-03-2B40B-**	SINGLE	2 POSITION	SPRING	£99.64
F5-03-2B40BL-**	SINGLE	2 POSITION	SPRING	£99.64
F5-03-2B60B-**	SINGLE	2 POSITION	SPRING	£99.64
F5-03-2B60BL-**	SINGLE	2 POSITION	SPRING	£99.64

NOTE: SUBSTITUTE THE ** WITH VOLTAGE PREFERENCE.
12VDC=D1, 24VDC=D2, 110V/AC 50HZ=A1, 220V/AC 50HZ=A2





FLOWFIT CETOP 5 NG10 MODULAR RELIEF VALVE

FLOWFIT CETOP 5 NG10 MODULAR RELIEF VALVE

The Flowfit CETOP 5 NG10 Modular Relief Valve is available in a variety of configurations to control pressure in either the P, A or B ports.

There are three pressure ranges to choose from, providing the versatility to control system pressure in any application.

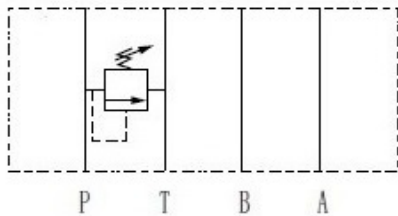
Pressure can be adjusted using the plastic knob (standard on all modular relief valves) but for added security, valves can also be supplied with an adjustment screw that can be locked once pressure has been set (Available upon request).

The pressure ranges available are:
 8 - 70bar
 35 - 140bar
 70 - 250bar

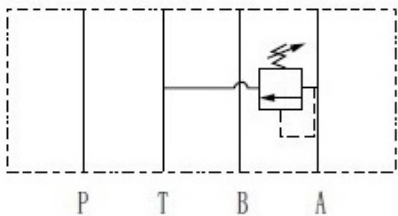


SPECIFICATION

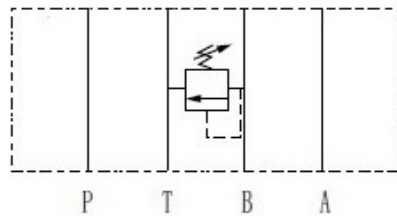
Nominal Size: NG10
Maximum Flow Rate: 70 l/min
Maximum Pressure: 250 Bar
Seal Material:- NBR
Max Fluid Temperature: -20° to 70°C
Oil Viscosity: -2.8 to 380 mm²/s
Weight P, A, B: 3.3kg
 C: 3.7kg
Manual Adjustment: Standard on all valves



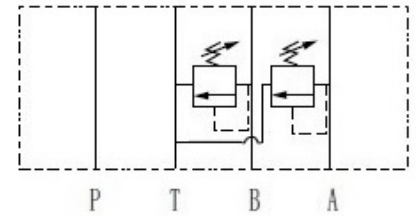
FFRV-P



FFRV-A



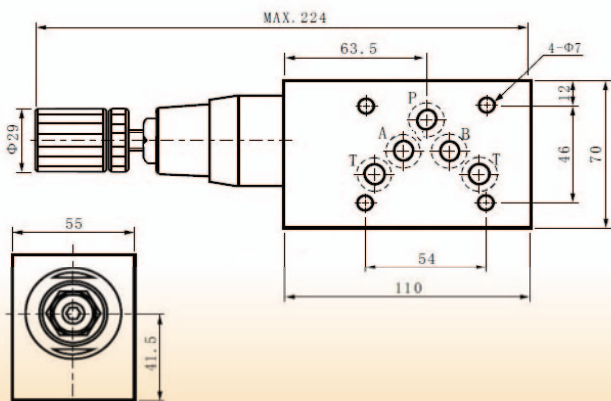
FFRV-B



FFRV-C

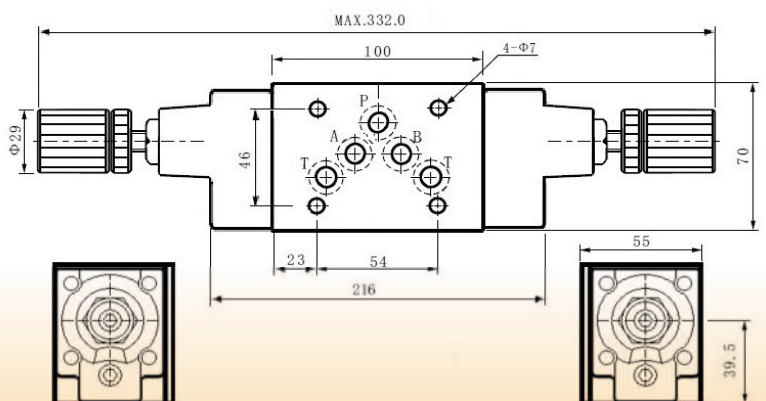
DIMENSIONS

FFRV-03A



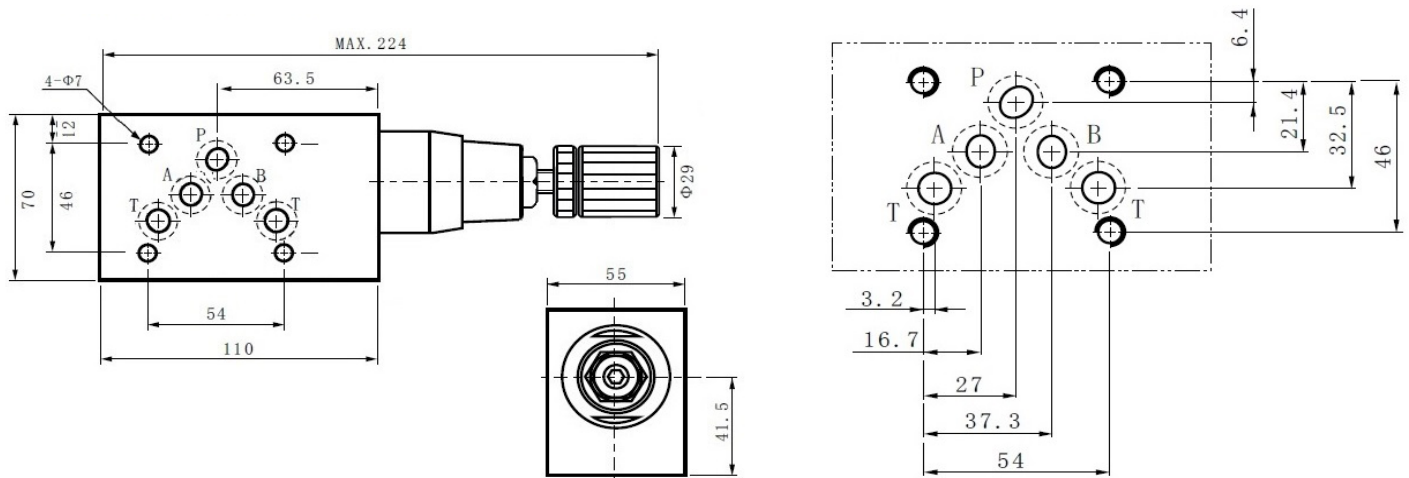
UNIT.mm

FFRV-03C



FLOWFIT CETOP 5 NG10 MODULAR RELIEF VALVE

FFRV-03B/P



CETOP 5 NG10 MODULAR RELIEF VALVE PRICE LIST

PRODUCT REFERENCE	SINGLE/DOUBLE SOLENOID	RRP
FFRV-03P-K-1-20	CETOP 5 MODULAR RELIEF VALVE 8-70BAR ON P	£98.58
FFRV-03P-K-2-20	CETOP 5 MODULAR RELIEF VALVE 35-140BAR ON P	£98.58
FFRV-03P-K-3-20	CETOP 5 MODULAR RELIEF VALVE 70-250BAR ON P	£98.58
FFRV-03A-K-1-20	CETOP 5 MODULAR RELIEF VALVE 8-70BAR ON A	£98.58
FFRV-03A-K-2-20	CETOP 5 MODULAR RELIEF VALVE 35-140BAR ON A	£98.58
FFRV-03A-K-3-20	CETOP 5 MODULAR RELIEF VALVE 70-250BAR ON A	£98.58
FFRV-03B-K-1-20	CETOP 5 MODULAR RELIEF VALVE 8-70BAR ON B	£98.58
FFRV-03B-K-2-20	CETOP 5 MODULAR RELIEF VALVE 35-140BAR ON B	£98.58
FFRV-03B-K-3-20	CETOP 5 MODULAR RELIEF VALVE 70-250BAR ON B	£98.58
FFRV-03C-K-1-20	CETOP 5 MODULAR RELIEF VALVE 8-70BAR ON A+B	£127.20
FFRV-03C-K-2-20	CETOP 5 MODULAR RELIEF VALVE 35-140BAR ON A+B	£127.20
FFRV-03C-K-3-20	CETOP 5 MODULAR RELIEF VALVE 70-250BAR ON A+B	£127.20



FLOWFIT CETOP 5 NG10 MODULAR REDUCING VALVE

FLOWFIT CETOP 5 NG10 MODULAR REDUCING VALVE

The Flowfit modular reducing valve is designed to lower the pressure in a specific circuit compared to the main system pressure.

There are three pressure ranges to choose from, providing the versatility to control individual circuit pressure.

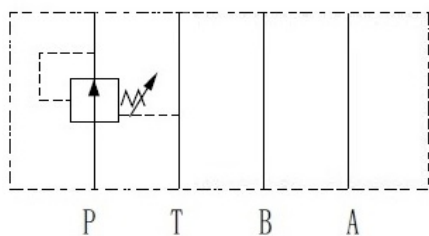
Pressure can be adjusted using the plastic knob (standard on all modular reducing valves) but for added security, valves can also be supplied with an adjustment screw that can be locked once pressure has been set (Available upon request).

The pressure ranges available are:
 8 - 70bar
 35 - 140bar
 70 - 250bar

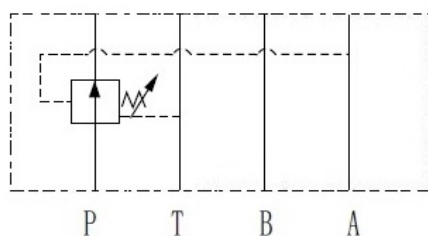


SPECIFICATION

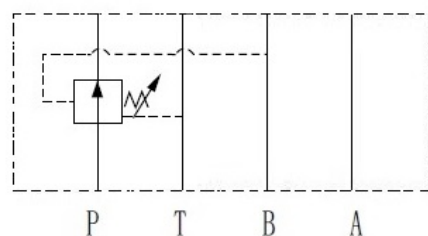
Nominal Size: NG10
Maximum Flow Rate: 70 l/min
Maximum Pressure: 250 Bar
Seal Material:- NBR
Max Fluid Temperature: -20° to 70°C
Oil Viscosity: -2.8 to 380 mm2/s
Weight: 3.3kg
Manual Adjustment: Standard on all valves



FFBRV-P



FFBRV-A

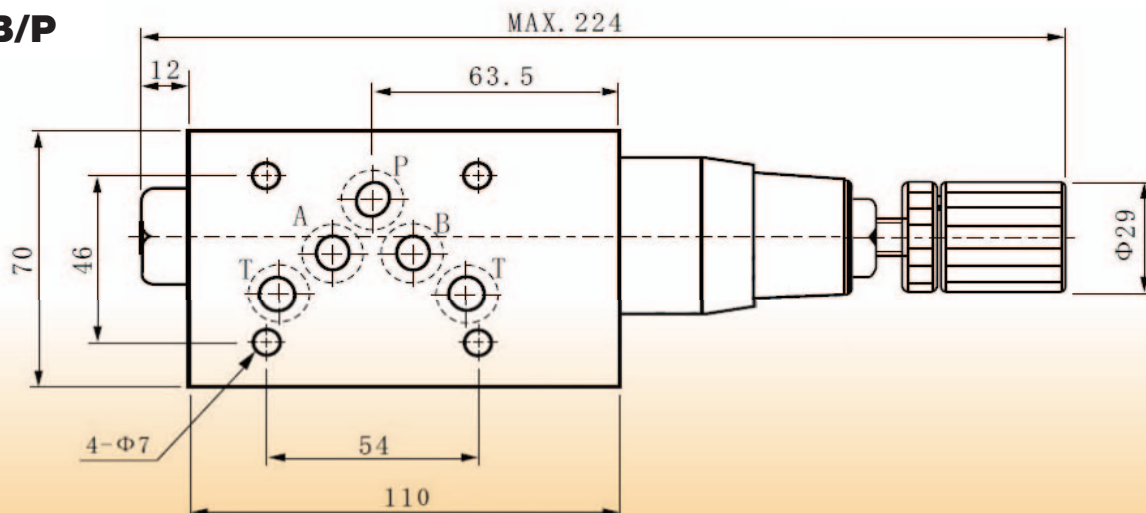


FFBRV-B

DIMENSIONS

UNIT.mm

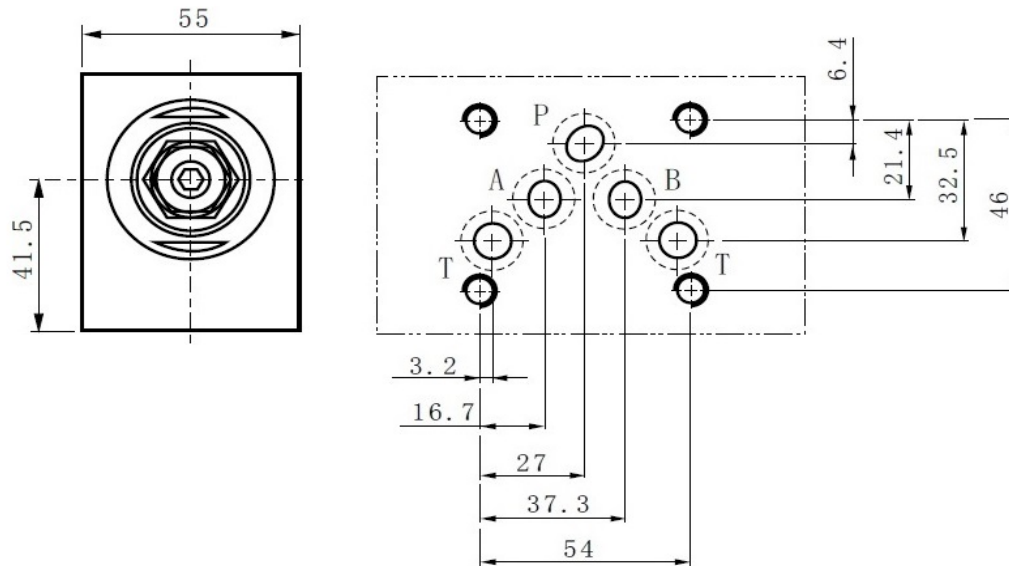
FFBRV-03A/B/P



FLOWFIT CETOP 5 NG10 MODULAR REDUCING VALVE



FFBRV-03A/B/P



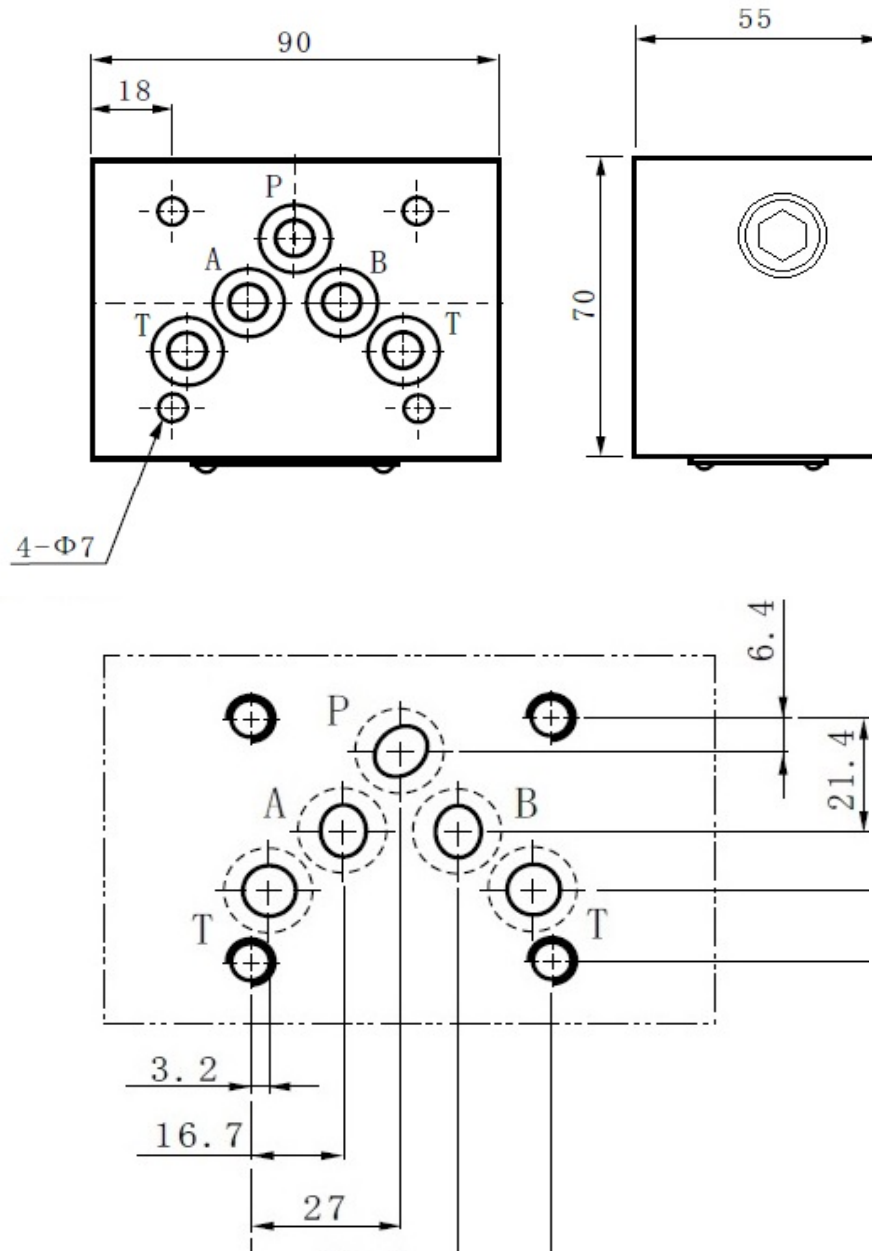
CETOP 5 NG10 MODULAR REDUCING VALVE PRICE LIST

PRODUCT REFERENCE	DESCRIPTION	RRP
FFBRV-03P-K-1-20	CETOP 5 MODULAR REDUCING VALVE 8-70BAR ON P	£98.58
FFBRV-03P-K-2-20	CETOP 5 MODULAR REDUCING VALVE 35-140BAR ON P	£98.58
FFBRV-03P-K-3-20	CETOP 5 MODULAR REDUCING VALVE 70-250BAR ON P	£98.58
FFBRV-03A-K-1-20	CETOP 5 MODULAR REDUCING VALVE 8-70BAR ON A	£98.58
FFBRV-03A-K-2-20	CETOP 5 MODULAR REDUCING VALVE 35-140BAR ON A	£98.58
FFBRV-03A-K-3-20	CETOP 5 MODULAR REDUCING VALVE 70-250BAR ON A	£98.58
FFBRV-03B-K-1-20	CETOP 5 MODULAR REDUCING VALVE 8-70BAR ON B	£98.58
FFBRV-03B-K-2-20	CETOP 5 MODULAR REDUCING VALVE 35-140BAR ON B	£98.58
FFBRV-03B-K-3-20	CETOP 5 MODULR REDUCING VALVE 70-250BAR ON B	£98.58

FLOWFIT CETOP 5 NG10 MODULAR CHECK VALVE



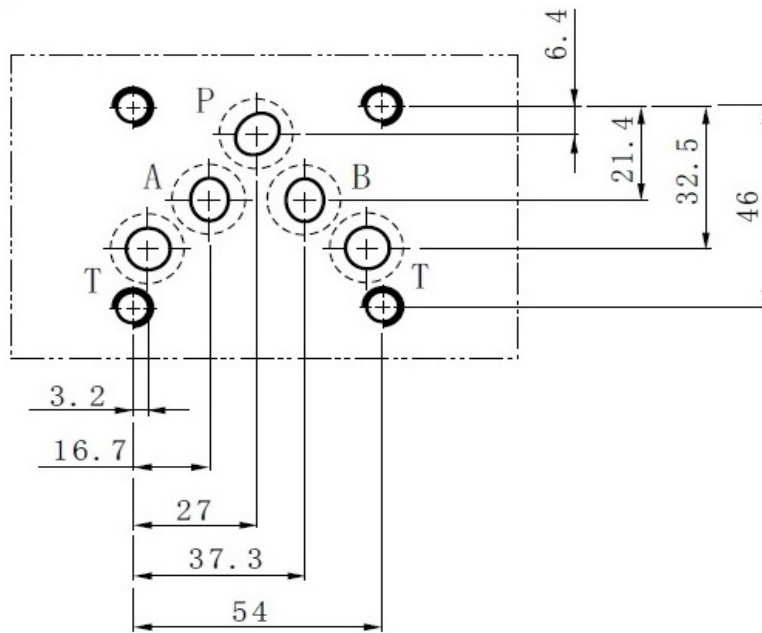
FFC-03P/T



CETOP 5 NG10 MODULAR CHECK VALVE PRICE LIST

PRODUCT REFERENCE	DESCRIPTION	RRP
FFC-03P-05-20	CETOP 5 MODULAR CHECK VALVE C/P 0.35BAR ON P	£89.04
FFC-03P-50-20	CETOP 5 MODULAR CHECK VALVE C/P 3.5BAR ON P	£89.04
FFC-03A-05-20	CETOP 5 MODULAR CHECK VALVE C/P 0.35BAR ON A	£89.04
FFC-03A-50-20	CETOP 5 MODULAR CHECK VALVE C/P 3.5BAR ON A	£89.04
FFC-03B-05-20	CETOP 5 MODULAR CHECK VALVE C/P 0.35BAR ON B	£89.04
FFC-03B-50-20	CETOP 5 MODULAR CHECK VALVE C/P 3.5BAR ON B	£89.04
FFC-03T-05-20	CETOP 5 MODULAR CHECK VALVE C/P 0.35BAR ON T	£89.04
FFC-03T-50-20	CETOP 5 MODULAR CHECK VALVE C/P 3.5BAR ON T	£89.04

FLOWFIT CETOP 5 NG10 MODULAR PILOT OPERATED CHECK VALVE



CETOP 5 NG10 MODULAR PILOT OPERATED CHECK VALVE PRICE LIST

PRODUCT REFERENCE	DESCRIPTION	RRP
FFPCV-03A-05-20	CETOP 5 MODULAR P/O CHECK VALVE C/P 0.35BAR ON A	£137.38
FFPCV-03A-50-20	CETOP 5 MODULAR P/O CHECK VALVE C/P 3.5BAR ON A	£137.38
FFPCV-03B-05-20	CETOP 5 MODULAR P/O CHECK VALVE C/P 0.35BAR ON B	£137.38
FFPCV-03B-50-20	CETOP 5 MODULAR P/O CHECK VALVE C/P 3.5BAR ON B	£137.38
FFPCV-03W-05-20	CETOP 5 MODULAR P/O CHECK VALVE C/P 0.35BAR ON A & B	£169.18
FFPCV-03W-50-20	CETOP 5 MODULAR P/O CHECK VALVE C/P 3.5BAR ON A & B	£169.18

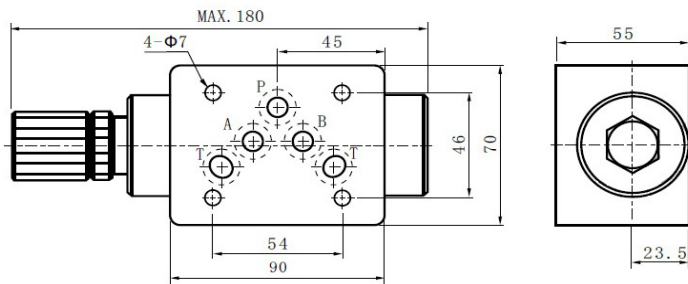
FLOWFIT CETOP 5 NG10 MODULAR FLOW CONTROL VALVE



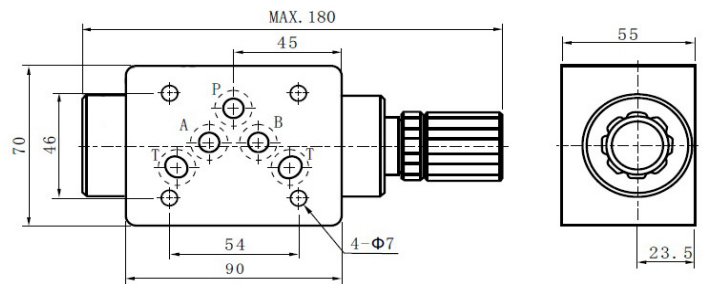
DIMENSIONS

UNIT:mm

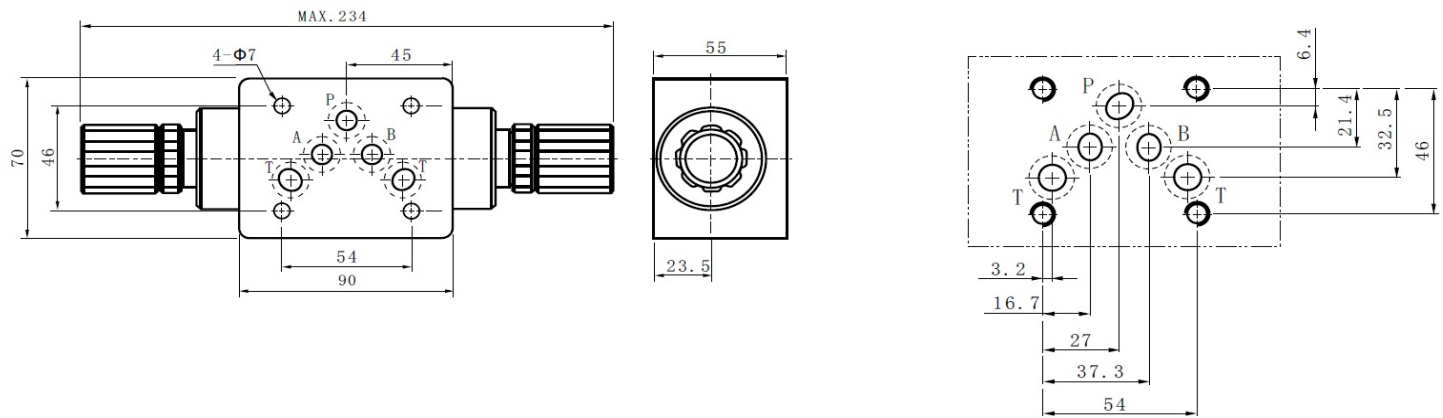
FFTCV-03A



FFTCV-03B



FFTCV-03W



CETOP 5 NG10 MODULAR FLOW CONTROL VALVE PRICE LIST

PRODUCT REFERENCE	DESCRIPTION	RRP
FFTCV-03A-K-20	CETOP 5 MODULAR FLOW CONTROL VALVE MTR OUT ON A PORT	£98.58
FFTCV-03A-K-I-20	CETOP 5 MODULAR LFOW CONTROL VALVE MTR IN ON A PORT	£98.58
FFTCV-03B-K-20	CETOP 5 MODULAR FLOW CONTROL VALVE MTR OUT ON B PORT	£98.58
FFTCV-03B-K-I-20	CETOP 5 MODULAR LFOW CONTROL VALVE MTR IN ON B PORT	£98.58
FFTCV-03W-K-20	CETOP 5 MODULAR FLOW CONTROL VALVE MTR OUT ON A & B PORT	£104.94
FFTCV-03W-K-I-20	CETOP 5 MODULAR LFOW CONTROL VALVE MTR IN ON A & B PORT	£104.94



FLOWFIT CETOP 5 NG10 STEEL PARALLEL CIRCUIT MANIFOLD

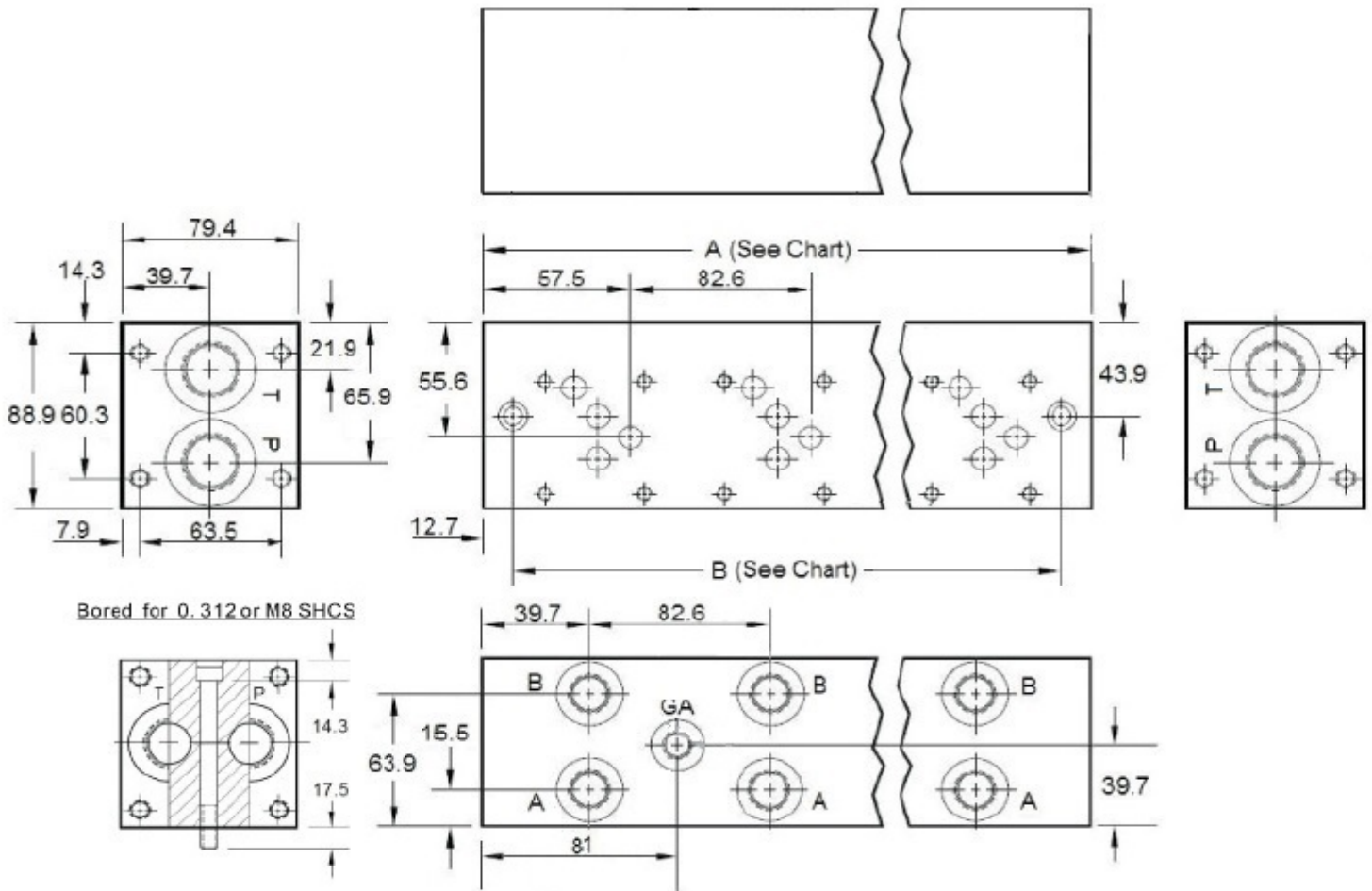


FLOWFIT CETOP 5 NG10 STEEL PARALLEL CIRCUIT MANIFOLD

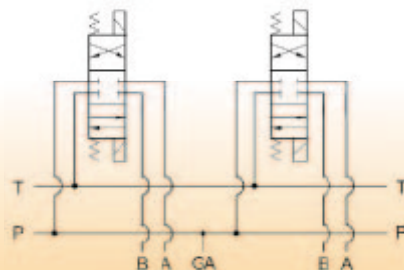
The Flowfit CETOP 5 parallel circuit manifold is precision machined from a mild steel block with sizes of 1/2" BSP for A & B ports and 3/4" BSP for P & T ports.

Flowfit manifolds are available from 1 to 10 stations with a 1/4" BSP Gauge port machined as standard on the 2 station and above (not available on the 1 station manifold).

SPECIFICATION



Parallel Circuit



FLOWFIT CETOP 5 NG10 STEEL PARALLEL CIRCUIT MANIFOLD



WEIGHT/ DIMENSIONS	NUMBER OF STATIONS									
	1	2	3	4	5	6	7	8	9	10
WEIGHT (KGS)	4.03	8.03	12.09	16.12	20.15	24.18	28.21	32.24	36.27	40.3
LENGTH "A" (MM)	82.6	165.1	247.7	330.2	412.8	495.3	577.9	660.4	743	825.5
LENGTH "B" (MM)	57.2	139.7	222.3	304.8	387.4	469.9	552.5	635	717.6	800.1

NOTE: GAUGE PORT IS NOT AVAILABLE ON 1 STATION MANIFOLD

CETOP 5 NG10 STEEL MANIFOLD (WITHOUT RELIEF VALVE CAVITY) PRICE LIST

PRODUCT REFERENCE	DESCRIPTION	RRP
MD-05P-1-G	CETOP 5 1 STATION STEEL MANIFOLD NO RV CAVITY	£69.96
MD-05P-2-G	CETOP 5 2 STATION STEEL MANIFOLD NO RV CAVITY	£139.92
MD-05P-3-G	CETOP 5 3 STATION STEEL MANIFOLD NO RV CAVITY	£216.24
MD-05P-4-G	CETOP 5 4 STATION STEEL MANIFOLD NO RV CAVITY	£289.38
MD-05P-5-G	CETOP 5 5 STATION STEEL MANIFOLD NO RV CAVITY	£362.52
MD-05P-6-G	CETOP 5 6 STATION STEEL MANIFOLD NO RV CAVITY	£442.02
MD-05P-7-G	CETOP 5 7 STATION STEEL MANIFOLD NO RV CAVITY	£521.52
MD-05P-8-G	CETOP 5 8 STATION STEEL MANIFOLD NO RV CAVITY	£604.20
MD-05P-9-G	CETOP 5 9 STATION STEEL MANIFOLD NO RV CAVITY	£683.70
MD-05P-10-G	CETOP 5 10 STATION STEEL MANIFOLD NO RV CAVITY	£766.38



FLOWFIT CETOP 5 NG10 STEEL PARALLEL CIRCUIT MANIFOLD WITH RELIEF VALVE

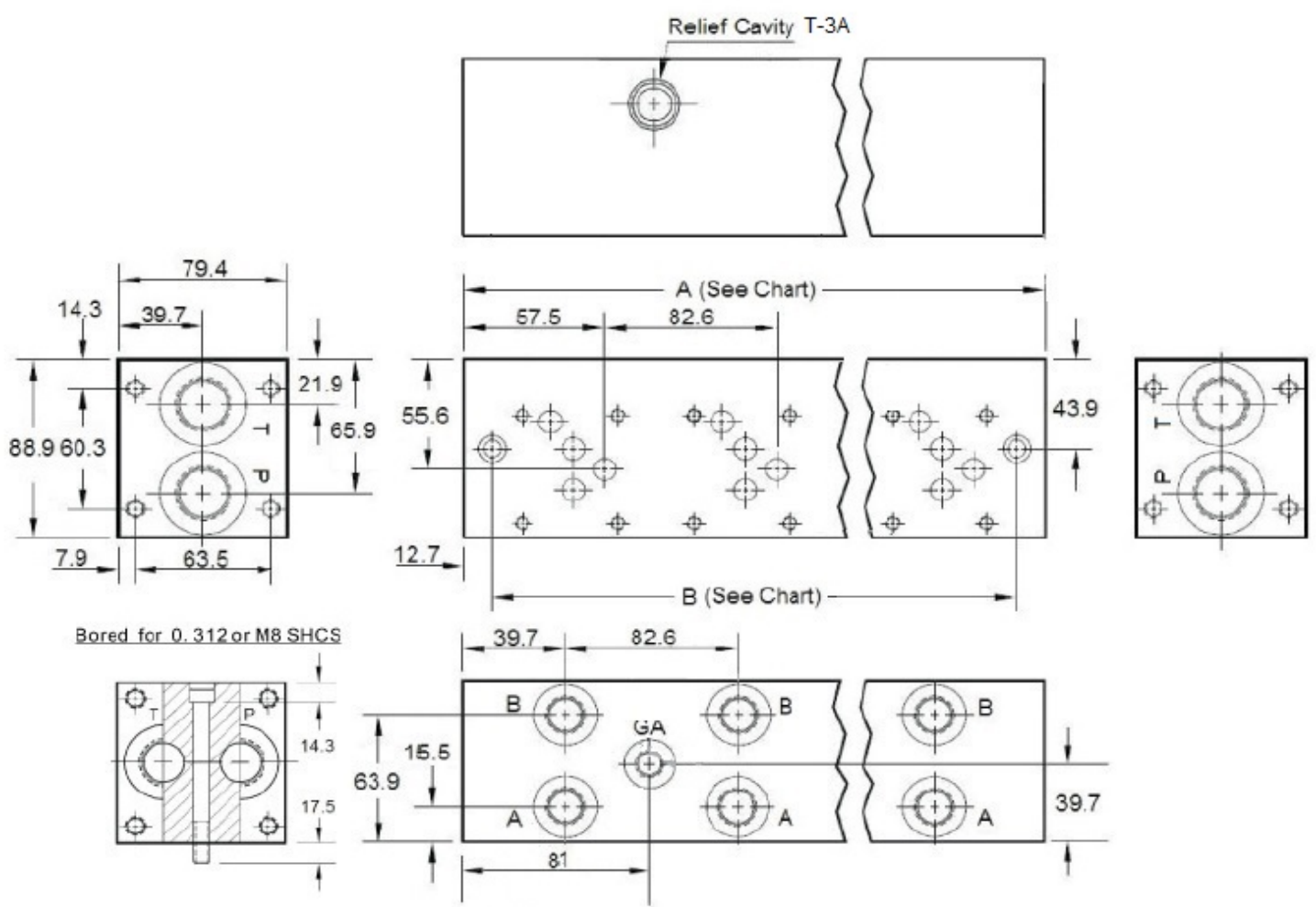


FLOWFIT CETOP 5 NG10 STEEL PARALLEL CIRCUIT MANIFOLD WITH RELIEF VALVE CAVITY

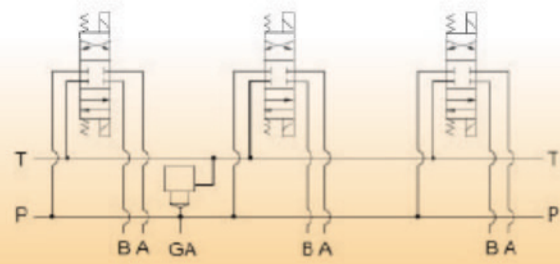
The Flowfit CETOP 5 parallel circuit manifold is precision machined from a steel block with sizes of 3/8" BSP for A & B ports and 1/2" BSP for P & T ports. The manifold also comes with a machined port for a relief valve (available separately).

Flowfit manifolds are available from 1 to 10 stations with a 1/4" BSP Gauge port machined as standard on the 2 station and above (not available on the 1 station manifold).

SPECIFICATION



Parallel Circuit with Cavity



FLOWFIT CETOP 5 NG10 STEEL PARALLEL CIRCUIT MANIFOLD WITH RELIEF VALVE



WEIGHT/ DIMENSIONS	NUMBER OF STATIONS									
	1	2	3	4	5	6	7	8	9	10
WEIGHT (KGS)	4.03	8.06	12.09	16.12	20.15	24.18	28.21	32.24	36.27	40.3
LENGTH "A" (MM)	114.3	165.1	247.7	330.2	412.8	495.3	577.9	660.4	743	825.5
LENGTH "B" (MM)	88.9	139.7	222.3	304.8	387.4	469.9	552.5	635	717.6	800.1

NOTE: GAUGE PORT IS NOT AVAILABLE ON 1 STATION MANIFOLD

CETOP 5 NG10 STEEL MANIFOLD (WITH RELIEF VALVE CAVITY) PRICE LIST

PRODUCT REFERENCE	DESCRIPTION	RRP
MD-05P-1-G-S	CETOP 5 1 STATION STEEL MANIFOLD WITH RV CAVITY	£129.55
MD-05P-2-G-S	CETOP 5 2 STATION STEEL MANIFOLD WITH RV CAVITY	£174.38
MD-05P-3-G-S	CETOP 5 3 STATION STEEL MANIFOLD WITH RV CAVITY	£247.59
MD-05P-4-G-S	CETOP 5 4 STATION STEEL MANIFOLD WITH RV CAVITY	£322.44
MD-05P-5-G-S	CETOP 5 5 STATION STEEL MANIFOLD WITH RV CAVITY	£398.94
MD-05P-6-G-S	CETOP 5 6 STATION STEEL MANIFOLD WITH RV CAVITY	£477.08
MD-05P-7-G-S	CETOP 5 7 STATION STEEL MANIFOLD WITH RV CAVITY	£556.87
MD-05P-8-G-S	CETOP 5 8 STATION STEEL MANIFOLD WITH RV CAVITY	£638.31
MD-05P-9-G-S	CETOP 5 9 STATION STEEL MANIFOLD WITH RV CAVITY	£721.38
MD-05P-10-G-S	CETOP 5 10 STATION STEEL MANIFOLD WITH RV CAVITY	£806.11
SNH-RDFALAN	CETOP 5 RELIEF VALVE	£84.97



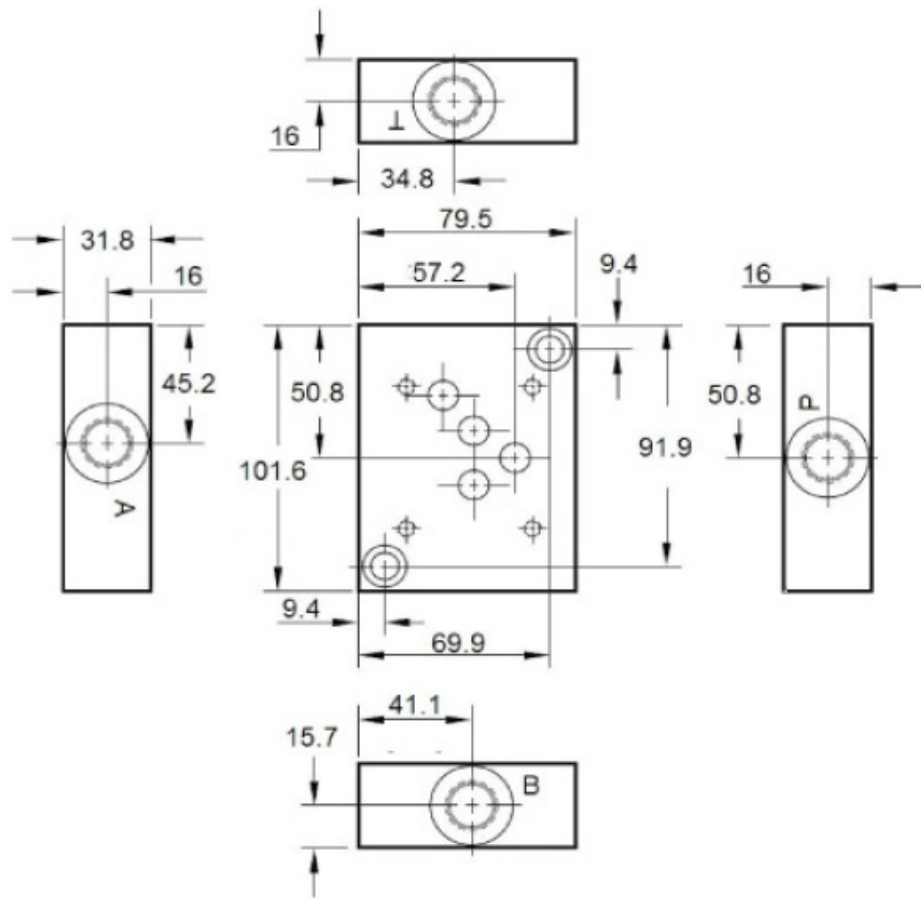
FLOWFIT CETOP 5 NG10 STEEL SUBPLATE WITH SIDE PORTS



FLOWFIT CETOP 5 NG10 STEEL SUBPLATE WITH SIDE PORTS

The Flowfit CETOP 5 subplate is machined from steel and comes with 1/2" BSP side ports.

SPECIFICATION



CETOP 5 NG10 STEEL SUBPLATE WITH SIDE ENTRY PRICE LIST

PRODUCT REFERENCE	DESCRIPTION	RRP
D-05-SP-S-8G	CETOP 5 SUBPLATE SIDE ENTRY 1/2" BSPP PORTED	£42.39

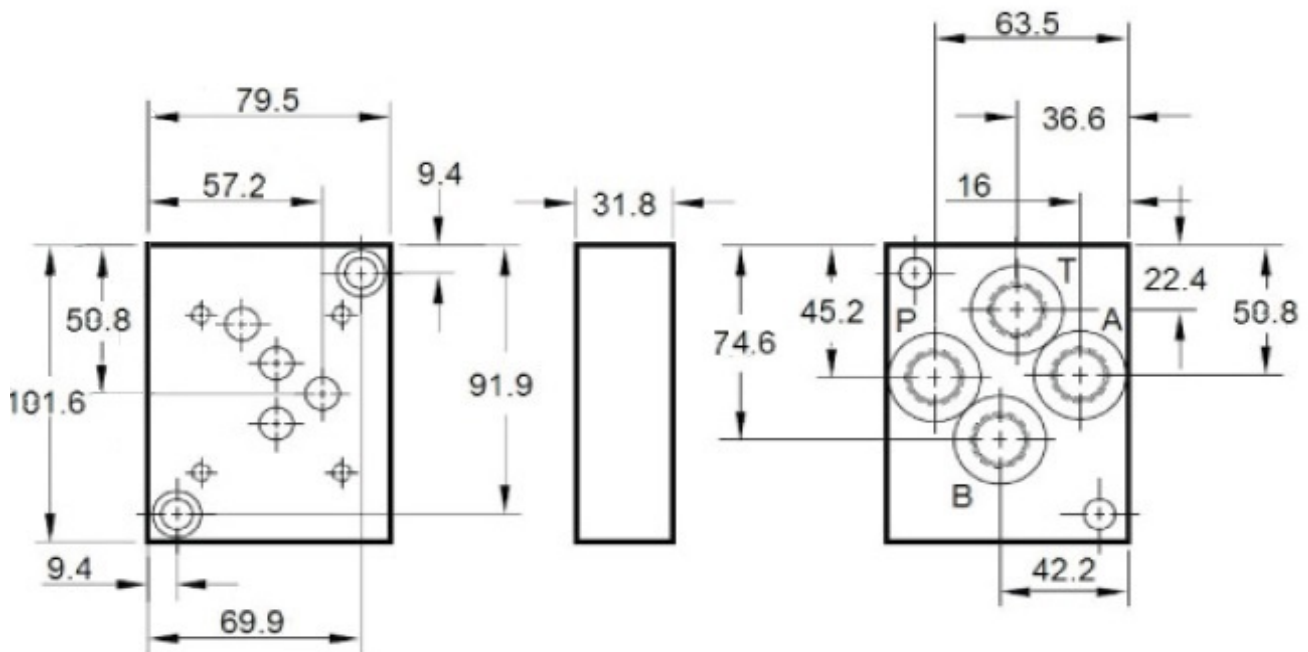
FLOWFIT CETOP 5 NG10 STEEL SUBPLATE WITH BASE PORTS



FLOWFIT CETOP 5 NG10 STEEL SUBPLATE WITH BASE PORTS

The Flowfit CETOP 5 subplate is machined from steel and comes with 1/2" BSP base ports.

SPECIFICATION



CETOP 5 NG10 STEEL SUBPLATE WITH BASE ENTRY PRICE LIST

PRODUCT REFERENCE	DESCRIPTION	RRP
D-05-SP-B-8G	CETOP 5 SUBPLATE BASE ENTRY 1/2" BSPP PORTED	£42.39



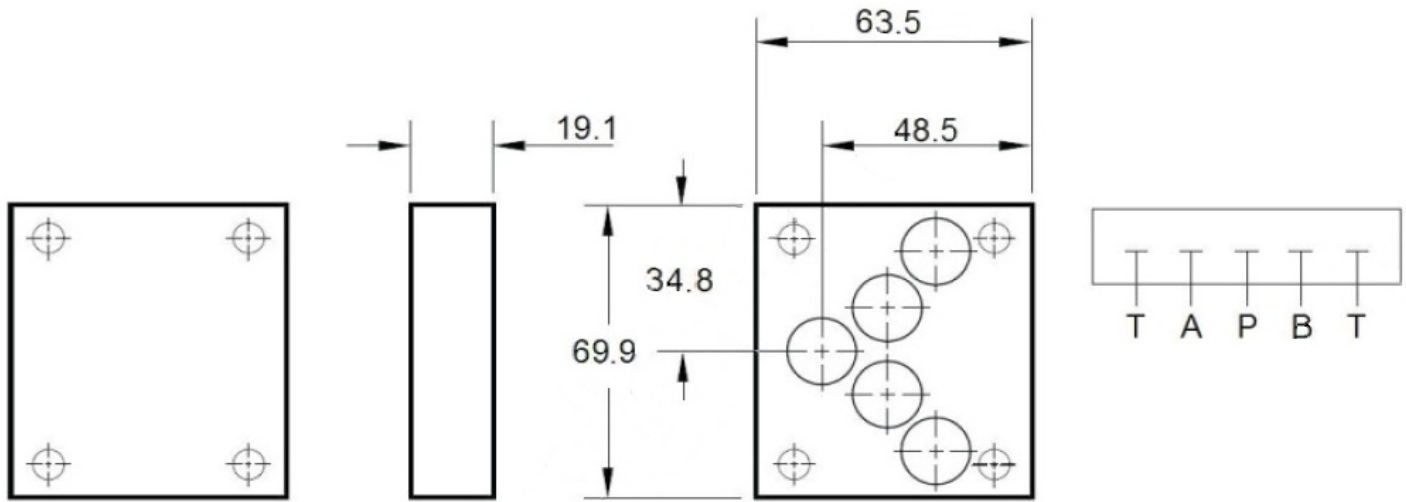
FLOWFIT CETOP 5 NG10 STEEL COVER PLATE



FLOWFIT CETOP 5 NG10 STEEL COVER PLATE

The Flowfit steel cover plate replaces a CETOP 5 solenoid valve on the steel manifold, providing a pressure blank to enable the remaining stations to operate.

SPECIFICATION



CETOP 3 NG6 STEEL COVER PLATE PRICE LIST

PRODUCT REFERENCE	DESCRIPTION	RRP
D-05-CP-G	CETOP 5 COVER PLATE	£13.57