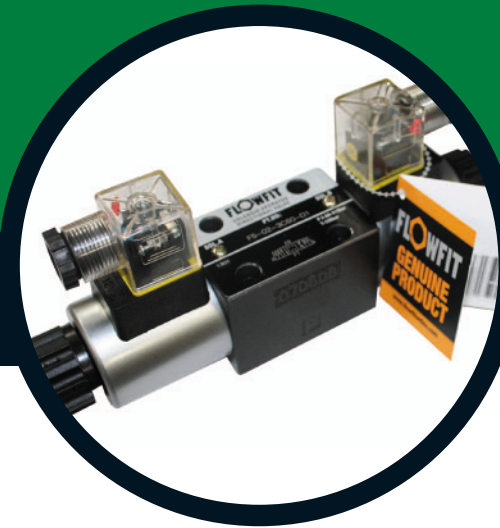


CETOP 3 VALVES • SECTION NP3

FLOWFIT CETOP 3 VALVES

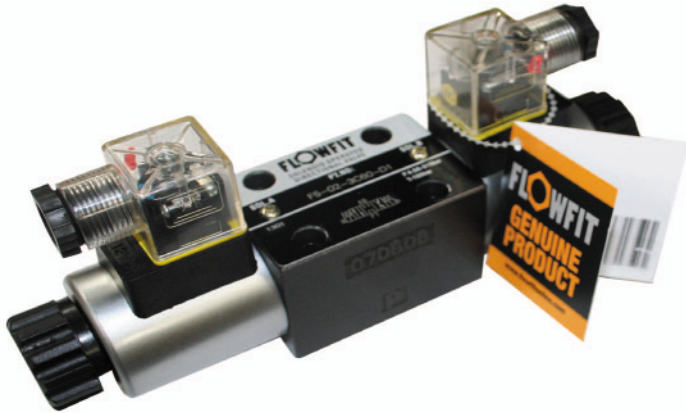
FLOWFIT CETOP 3 NG6 SOLENOID DIRECTIONAL CONTROL VALVES	NP32
FLOWFIT CETOP 3 NG6 MODULAR RELIEF VALVE	NP36
FLOWFIT CETOP 3 NG6 MODULAR REDUCING VALVE.....	NP38
FLOWFIT CETOP 3 NG6 MODULAR CHECK VALVE.....	NP40
FLOWFIT CETOP 3 NG6 MODULAR PILOT OPERATED CHECK VALVE.....	NP42
FLOWFIT CETOP 3 NG6 MODULAR FLOW CONTROL VALVE WITH CHECK	NP44
FLOWFIT CETOP 3 NG6 MODULAR COUNTER BALANCE VALVE.....	NP46
FLOWFIT CETOP 3 NG6 STEEL PARALLEL CIRCUIT MANIFOLD	NP48
FLOWFIT CETOP 3 NG6 STEEL PARALLEL CIRCUIT MANIFOLD WITH RELIEF VALVE	NP50
FLOWFIT CETOP 3 NG6 STEEL SUBPLATE WITH SIDE PORTS	NP52
FLOWFIT CETOP 3 NG6 STEEL SUBPLATE WITH BASE PORTS	NP53
FLOWFIT CETOP 3 NG6 STEEL COVER PLATE	NP54



FLOWFIT®



FLOWFIT CETOP 3 NG6 SOLENOID DIRECTIONAL CONTROL VALVES



FLOWFIT CETOP 3 NG6 SOLENOID DIRECTIONAL CONTROL VALVE

Flowfit offer a large range of solenoid operated CETOP 3 NG6 with a maximum flow of 80 l/min, commonly used in powerpacks and other hydraulic applications. Available in 12VDC, 24VDC, 110VAC and 220VAC.

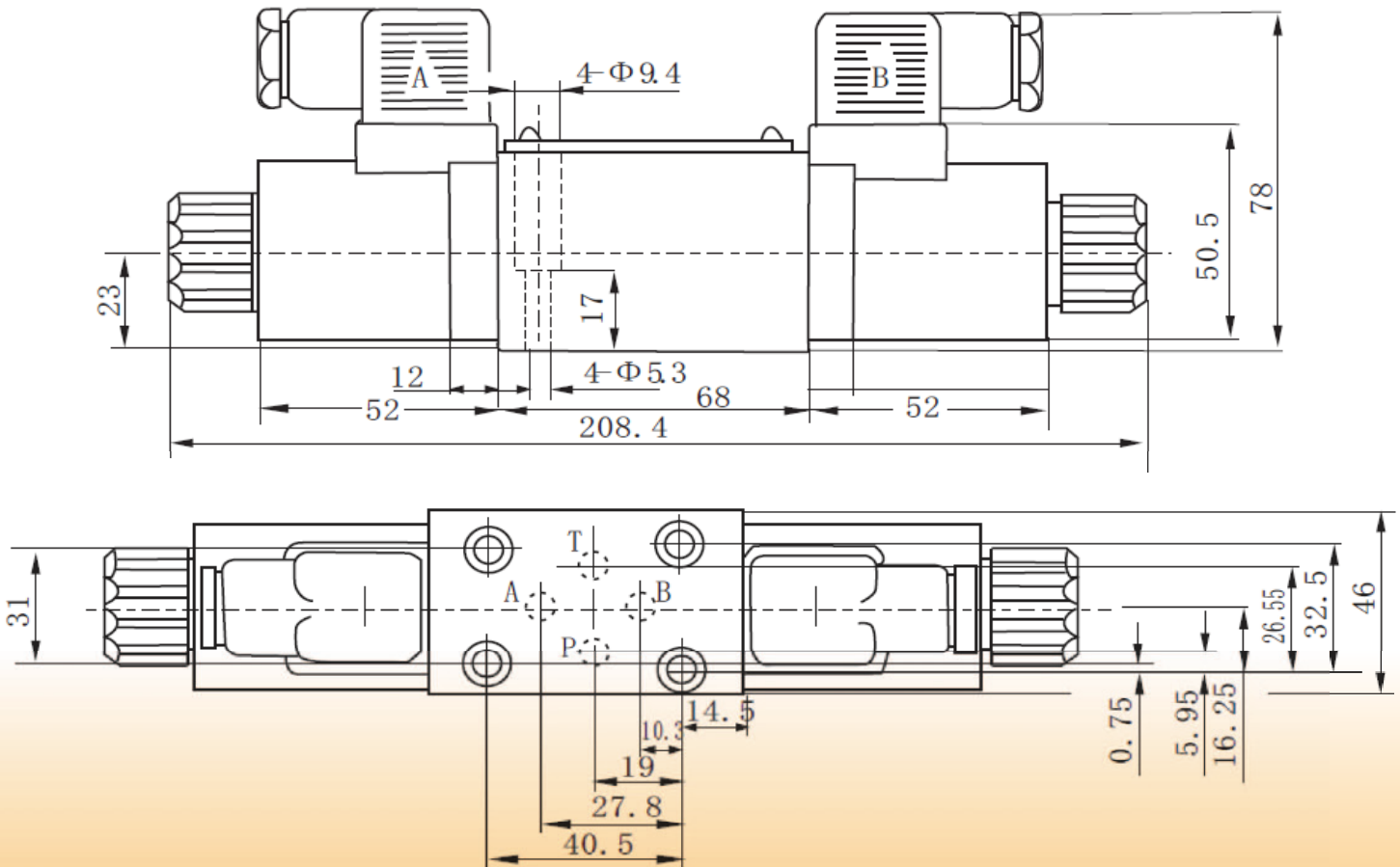
Flowfit F5-02 series CETOP 3 NG6 solenoid valves are Electro-Hydraulic spool type valves. They are solenoid operated and control the start, stop and direction of the oil flow in the hydraulic circuit.

They are used for hydraulic powerpacks as well as for stand alone hydraulic manifold blocks.



SPECIFICATION

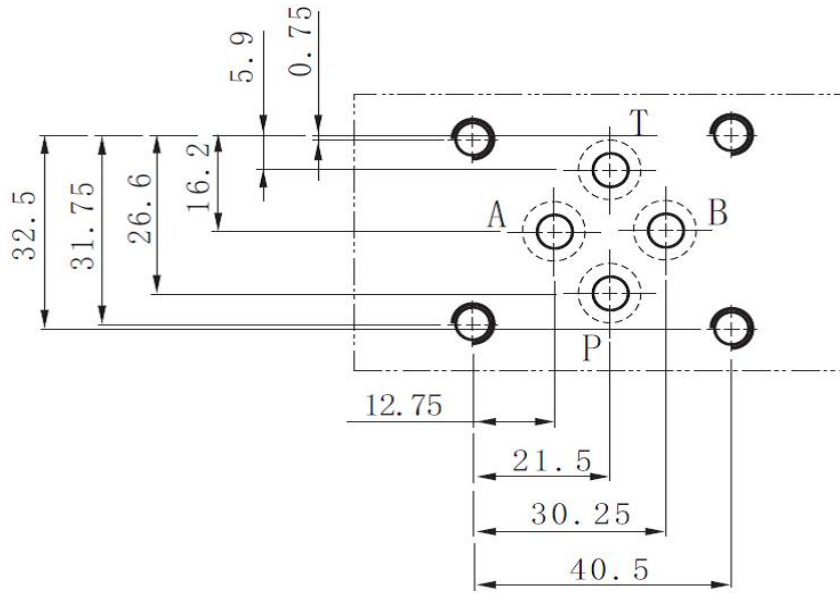
- Nominal Size:** NG6
- Maximum Flow Rate:** 80 l/min
- Maximum Pressure:** A,B,P = 315 Bar T = 16 Bar
- Seal Material:-** NBR
- Max Fluid Temperature:** -20° to 70°C
- Oil Viscosity:** -2.8 to 380 mm²/s
- Switch Cycles** Open: 50 ~ 60ms
Closed: 50 ~ 70ms
- Switch Frequency:** 15000 times per hour
- Insulation Grade:** IP65
- Weight:** Single Solenoid: 1.5kg,
Double Solenoid: 2.2kg
- Voltages:** 12VDC = D1, 24VDC = D2,
110V/AC 50HZ = A1, 220V/AC 50HZ = A2
- Manual Override:** Standard on all valves
- Connector Type:** DIN Plug (with LED)



FLOWFIT CETOP 3 NG6 SOLENOID DIRECTIONAL CONTROL VALVES

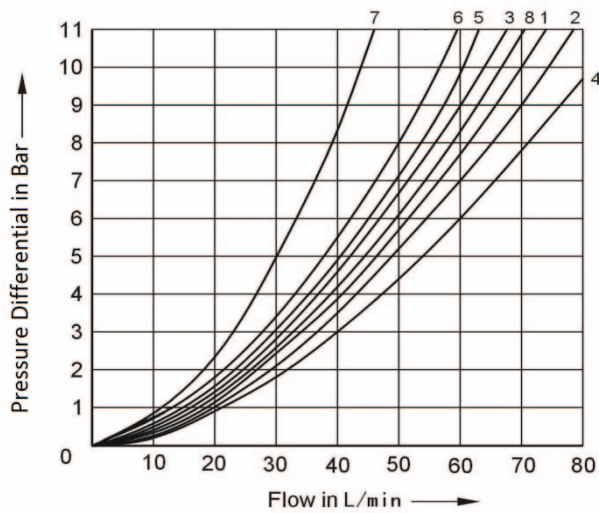


BASE PORT DIMENSIONS



CHARACTERISTIC CURVES (measured at $v=41\text{mm}^2/\text{s}$ and $t=50^\circ\text{C}$)

● CETOP 3 (Nominal Size: NG6)



Spool Type	Flow Direction				
	P - A	P - B	A - T	B - T	P - T
2B2	5	5	3	3	—
2B3	1	1	3	1	—
3C2	3	3	1	1	—
3C3	2	4	2	2	—
3C4	1	1	2	1	—
3C5	1	3	1	1	—
3C9	2	4	3	3	—
3C10	3	3	8	4	—
3C12	3	3	4	8	—
3C25	3	1	1	1	—
3C40	1	1	2	2	—
3C60	6	6	8	8	7

Spool Type	Flow Direction				
	P - A	P - B	A - T	B - T	P - T
2B2A	3	—	—	1	—
2B2AL	—	3	1	—	—
2B2B	—	3	1	—	—
2B2BL	3	—	—	1	—
2B3A	2	—	—	2	—
2B3AL	—	4	2	—	—
2B3B	—	4	2	—	—
2B3BL	2	—	—	2	—
2B4B	—	1	2	1	—
2B4BL	1	—	2	1	—
2B5B	1	—	—	1	—
2B5BL	—	3	1	—	—

Spool Type	Flow Direction				
	P - A	P - B	A - T	B - T	P - T
2B9B	—	4	3	—	—
2B9BL	2	—	—	3	—
2B10B	—	3	8	—	—
2B10BL	3	—	—	4	—
2B12B	—	3	4	—	—
2B12BL	3	—	—	8	—
2B25B	3	1	—	1	—
2B25BL	—	1	1	1	—
2B40B	—	1	2	—	—
2B40BL	1	—	—	2	—
2B60B	6	—	—	8	7
2B60BL	—	6	8	—	7



FLOWFIT CETOP 3 NG6 SOLENOID DIRECTIONAL CONTROL VALVES

CETOP 3 NG6 PRICE LIST

FLOWFIT CETOP 3 NG6 SPRING CENTERED 3 POSITION DOUBLE ACTING SOLENOID DIRECTIONAL CONTROL VALVE

PRODUCT REFERENCE	SINGLE/DOUBLE SOLENOID	CONFIGURATION	SPOOL RETURN	RRP
F5-02-3C2-**	DOUBLE	3 POSITION	SPRING	£82.68
F5-02-3C3-**	DOUBLE	3 POSITION	SPRING	£82.68
F5-02-3C4-**	DOUBLE	3 POSITION	SPRING	£82.68
F5-02-3C5-**	DOUBLE	3 POSITION	SPRING	£82.68
F5-02-3C9-**	DOUBLE	3 POSITION	SPRING	£82.68
F5-02-3C10-**	DOUBLE	3 POSITION	SPRING	£82.68
F5-02-3C11-**	DOUBLE	3 POSITION	SPRING	£82.68
F5-02-3C12-**	DOUBLE	3 POSITION	SPRING	£82.68
F5-02-3C25-**	DOUBLE	3 POSITION	SPRING	£82.68
F5-02-3C40-**	DOUBLE	3 POSITION	SPRING	£82.68
F5-02-3C60-**	DOUBLE	3 POSITION	SPRING	£82.68

NOTE: SUBSTITUTE THE ** WITH VOLTAGE PREFERENCE.
 12VDC=D1, 24VDC=D2, 110V/AC 50HZ=A1, 220V/AC 50HZ=A2

FLOWFIT CETOP 3 NG6 SPRING OFFSET 2 POSITION SINGLE ACTING SOLENOID DIRECTIONAL CONTROL VALVE

PRODUCT REFERENCE	SINGLE/DOUBLE SOLENOID	CONFIGURATION	SPOOL RETURN	RRP
F5-02-2B2-**	SINGLE	2 POSITION	SPRING	£61.48
F5-02-2B2L-**	SINGLE	2 POSITION	SPRING	£61.48
F5-02-2B2A-**	SINGLE	2 POSITION	SPRING	£61.48
F5-02-2B2AL-**	SINGLE	2 POSITION	SPRING	£61.48
F5-02-2B2B-**	SINGLE	2 POSITION	SPRING	£61.48
F5-02-2B2BL-**	SINGLE	2 POSITION	SPRING	£61.48
F5-02-2B3-**	SINGLE	2 POSITION	SPRING	£61.48
F5-02-2B3L-**	SINGLE	2 POSITION	SPRING	£61.48
F5-02-2B3A-**	SINGLE	2 POSITION	SPRING	£61.48
F5-02-2B3AL-**	SINGLE	2 POSITION	SPRING	£61.48
F5-02-2B3B-**	SINGLE	2 POSITION	SPRING	£61.48
F5-02-2B3BL-**	SINGLE	2 POSITION	SPRING	£61.48
F5-02-2B4B-**	SINGLE	2 POSITION	SPRING	£61.48
F5-02-2B4BL-**	SINGLE	2 POSITION	SPRING	£61.48
F5-02-2B5B-**	SINGLE	2 POSITION	SPRING	£61.48
F5-02-2B5BL-**	SINGLE	2 POSITION	SPRING	£61.48
F5-02-2B8-**	SINGLE	2 POSITION	SPRING	£61.48
F5-02-2B8L-**	SINGLE	2 POSITION	SPRING	£61.48
F5-02-2B9B-**	SINGLE	2 POSITION	SPRING	£61.48
F5-02-2B9BL-**	SINGLE	2 POSITION	SPRING	£61.48
F5-02-2B10B-**	SINGLE	2 POSITION	SPRING	£61.48
F5-02-2B10BL-**	SINGLE	2 POSITION	SPRING	£61.48
F5-02-2B11B-**	SINGLE	2 POSITION	SPRING	£61.48
F5-02-2B11BL-**	SINGLE	2 POSITION	SPRING	£61.48
F5-02-2B12A-**	SINGLE	2 POSITION	SPRING	£61.48
F5-02-2B12AL-**	SINGLE	2 POSITION	SPRING	£61.48
F5-02-2B12B-**	SINGLE	2 POSITION	SPRING	£61.48

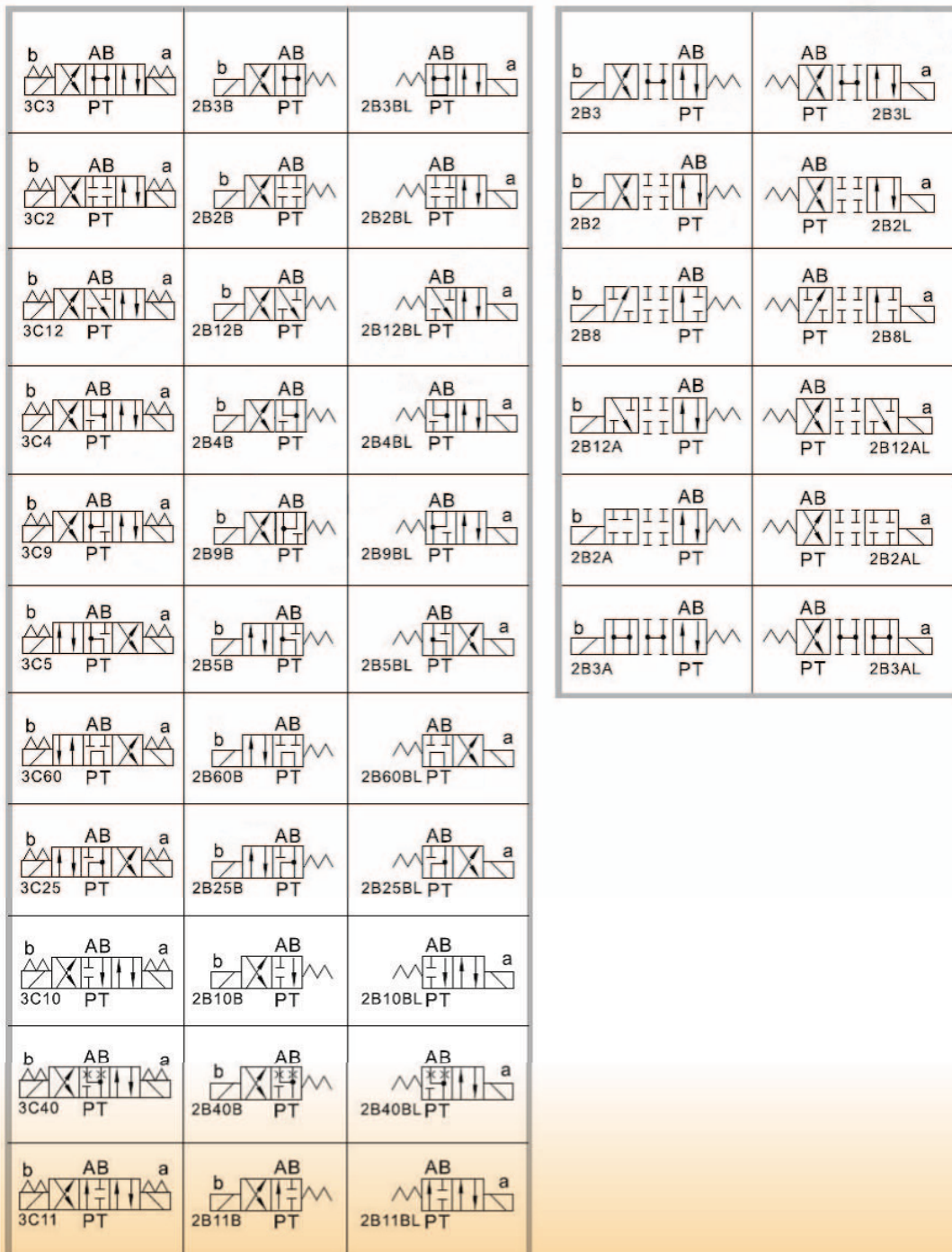
FLOWFIT CETOP 3 NG6 SOLENOID DIRECTIONAL CONTROL VALVES



SPRING CENTERED 3 POSITION SOLENOID DIRECTIONAL CONTROL VALVE

PRODUCT REFERENCE	SINGLE/DOUBLE SOLENOID	CONFIGURATION	SPOOL RETURN	RRP
F5-02-2B12BL-**	SINGLE	2 POSITION	SPRING	£61.48
F5-02-2B25B-**	SINGLE	2 POSITION	SPRING	£61.48
F5-02-2B25BL-**	SINGLE	2 POSITION	SPRING	£61.48
F5-02-2B40B-**	SINGLE	2 POSITION	SPRING	£61.48
F5-02-2B40BL-**	SINGLE	2 POSITION	SPRING	£61.48
F5-02-2B60B-**	SINGLE	2 POSITION	SPRING	£61.48
F5-02-2B60BL-**	SINGLE	2 POSITION	SPRING	£61.48

NOTE: SUBSTITUTE THE ** WITH VOLTAGE PREFERENCE.
 12VDC=D1, 24VDC=D2, 110V/AC 50HZ=A1, 220V/AC 50HZ=A2





FLOWFIT CETOP 3 NG6 MODULAR RELIEF VALVE

FLOWFIT CETOP 3 NG6 MODULAR RELIEF VALVE



The Flowfit CETOP 3 NG6 Modular Relief Valve is available in a variety of configurations to control pressure in either the P, A or B ports.

There are three pressure ranges to choose from, providing the versatility to control system pressure in any application.

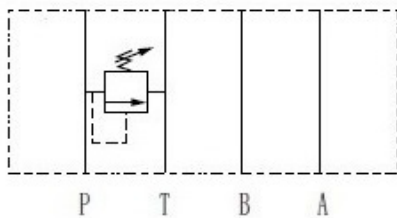
Pressure can be adjusted using the plastic knob (standard on all modular relief valves) but for added security, valves can also be supplied with an adjustment screw that can be locked once pressure has been set (Available upon request).

The pressure ranges available are:

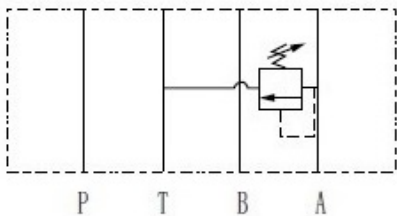
- 8 - 70bar
- 35 - 140bar
- 70 - 250bar

SPECIFICATION

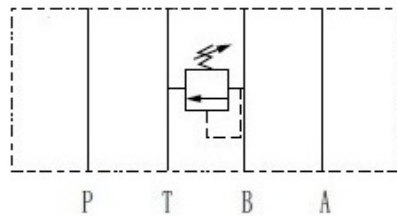
- Nominal Size:** NG6
- Maximum Flow Rate:** 35 l/min
- Maximum Pressure:** 250 Bar
- Seal Material:-** NBR
- Max Fluid Temperature:** -20° to 70°C
- Oil Viscosity:** -2.8 to 380 mm²/s
- Weight** P, A, B: 1.5kg
C: 1.7kg
- Manual Adjustment:** Standard on all valves



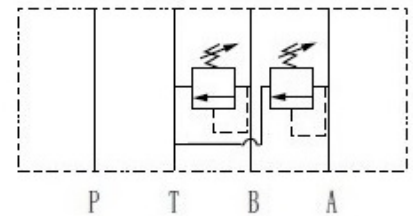
FFRV-P



FFRV-A



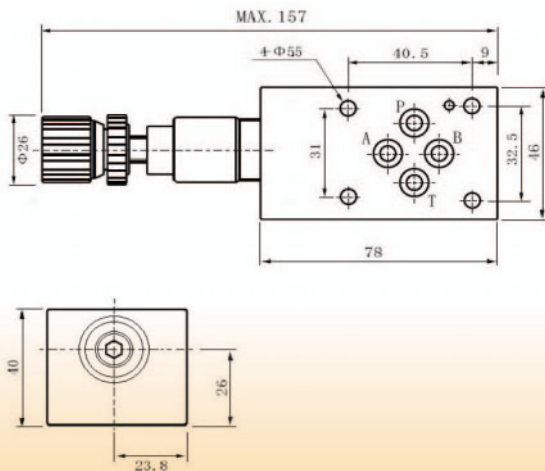
FFRV-B



FFRV-C

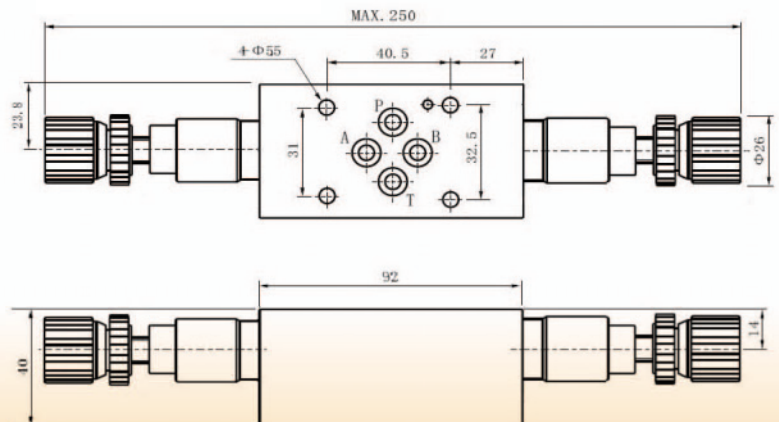
DIMENSIONS

FFRV-02A



UNIT.mm

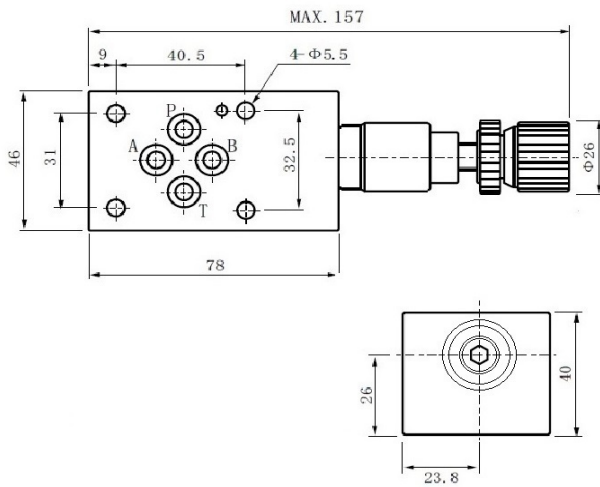
FFRV-02C



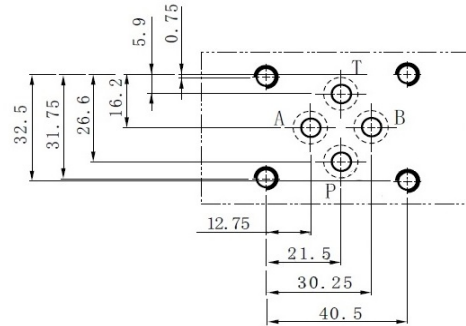
FLOWFIT CETOP 3 NG6 MODULAR RELIEF VALVE



FFRV-02B/P



Mounting size



CETOP 3 NG6 MODULAR RELIEF VALVE PRICE LIST

PRODUCT REFERENCE	SINGLE/DOUBLE SOLENOID	RRP
FFRV-02P-K-1-20	CETOP 3 MODULAR RELIEF VALVE 8-70BAR ON P	£69.96
FFRV-02P-K-2-20	CETOP 3 MODULAR RELIEF VALVE 35-140BAR ON P	£69.96
FFRV-02P-K-3-20	CETOP 3 MODULAR RELIEF VALVE 70-250BAR ON P	£69.96
FFRV-02A-K-1-20	CETOP 3 MODULAR RELIEF VALVE 8-70BAR ON A	£69.96
FFRV-02A-K-2-20	CETOP 3 MODULAR RELIEF VALVE 35-140BAR ON A	£69.96
FFRV-02A-K-3-20	CETOP 3 MODULAR RELIEF VALVE 70-250BAR ON A	£69.96
FFRV-02B-K-1-20	CETOP 3 MODULAR RELIEF VALVE 8-70BAR ON B	£69.96
FFRV-02B-K-2-20	CETOP 3 MODULAR RELIEF VALVE 35-140BAR ON B	£69.96
FFRV-02B-K-3-20	CETOP 3 MODULAR RELIEF VALVE 70-250BAR ON B	£69.96
FFRV-02C-K-1-20	CETOP 3 MODULAR RELIEF VALVE 8-70BAR ON A+B	£98.58
FFRV-02C-K-2-20	CETOP 3 MODULAR RELIEF VALVE 35-140BAR ON A+B	£98.58
FFRV-02C-K-3-20	CETOP 3 MODULAR RELIEF VALVE 70-250BAR ON A+B	£98.58



FLOWFIT CETOP 3 NG6 MODULAR REDUCING VALVE

FLOWFIT CETOP 3 NG6 MODULAR REDUCING VALVE



The Flowfit modular reducing valve is designed to lower the pressure in a specific circuit compared to the main system pressure.

There are three pressure ranges to choose from, providing the versatility to control individual circuit pressure.

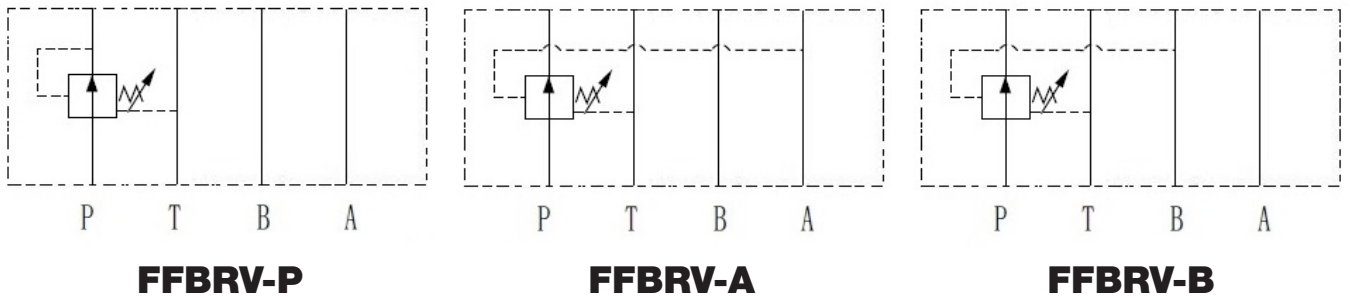
Pressure can be adjusted using the plastic knob (standard on all modular reducing valves) but for added security, valves can also be supplied with an adjustment screw that can be locked once pressure has been set (Available upon request).

The pressure ranges available are:

- 8 - 70bar
- 35 - 140bar
- 70 - 250bar

SPECIFICATION

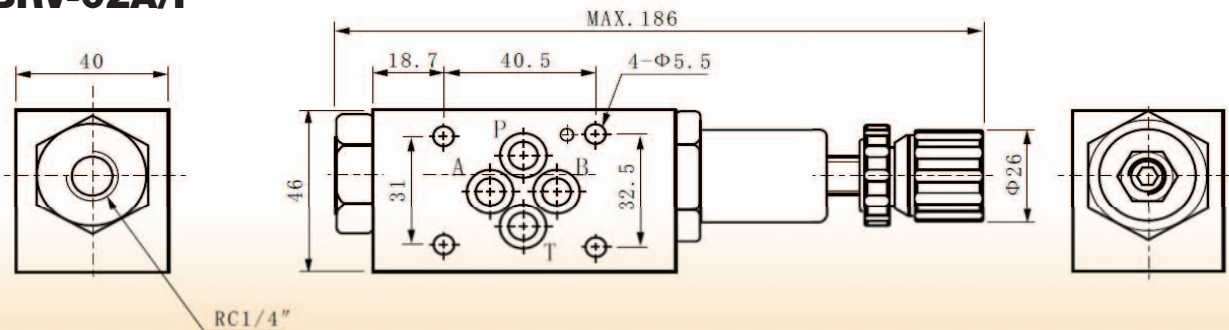
Nominal Size: NG6
Maximum Flow Rate: 35 l/min
Maximum Pressure: 250 Bar
Seal Material:- NBR
Max Fluid Temperature: -20° to 70°C
Oil Viscosity: -2.8 to 380 mm²/s
Weight: 1.2kg
Manual Adjustment: Standard on all valves



DIMENSIONS

FFBRV-02A/P

UNIT:mm



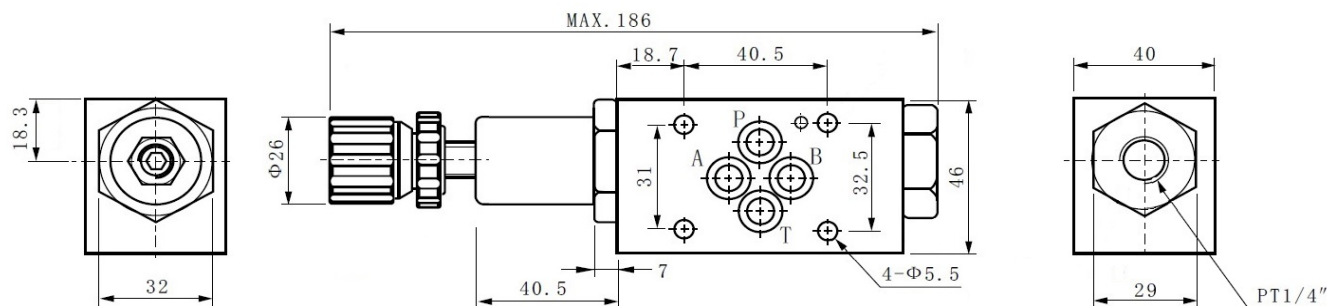
FLOWFIT CETOP 3 NG6 MODULAR REDUCING VALVE



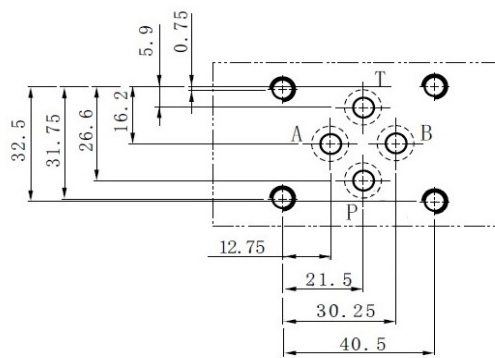
DIMENSIONS

UNIT:mm

FFBRV-02B



Mounting size



CETOP 3 NG6 MODULAR REDUCING VALVE PRICE LIST

PRODUCT REFERENCE	DESCRIPTION	RRP
FFBRV-02P-K-1-20	CETOP 3 MODULAR REDUCING VALVE 8-70BAR ON P	£69.96
FFBRV-02P-K-2-20	CETOP 3 MODULAR REDUCING VALVE 35-140BAR ON P	£69.96
FFBRV-02P-K-3-20	CETOP 3 MODULAR REDUCING VALVE 70-250BAR ON P	£69.96
FFBRV-02A-K-1-20	CETOP 3 MODULAR REDUCING VALVE 8-70BAR ON A	£69.96
FFBRV-02A-K-2-20	CETOP 3 MODULAR REDUCING VALVE 35-140BAR ON A	£69.96
FFBRV-02A-K-3-20	CETOP 3 MODULAR REDUCING VALVE 70-250BAR ON A	£69.96
FFBRV-02B-K-1-20	CETOP 3 MODULAR REDUCING VALVE 8-70BAR ON B	£69.96
FFBRV-02B-K-2-20	CETOP 3 MODULAR REDUCING VALVE 35-140BAR ON B	£69.96
FFBRV-02B-K-3-20	CETOP 3 MODULAR REDUCING VALVE 70-250BAR ON B	£69.96



FLOWFIT CETOP 3 NG6 MODULAR CHECK VALVE



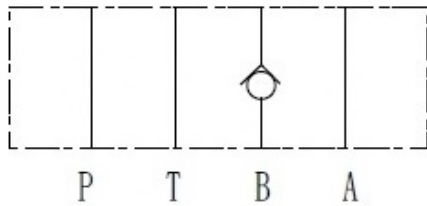
FLOWFIT CETOP 3 NG6 MODULAR CHECK VALVE

The Flowfit modular check valve allows free flow in one direction and blocks the flow in the opposite direction.

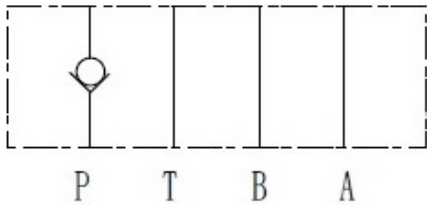
Flowfit check valves are available for the A, B, P or T port and can be specified with a cracking pressure of 0.35bar or 3.5bar depending on the system requirements.

SPECIFICATION

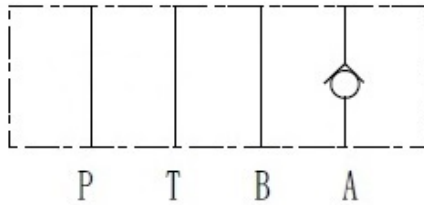
- Nominal Size:** NG6
- Maximum Flow Rate:** 35 l/min
- Maximum Pressure:** 250 Bar
- Seal Material:-** NBR
- Max Fluid Temperature:** -20° to 70°C
- Oil Viscosity:** -2.8 to 380 mm²/s
- Weight:** 1.2kg
- Manual Adjustment:** Standard on all valves



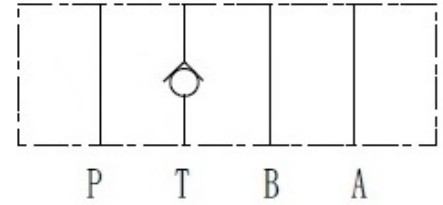
FFC-02B



FFC-02P

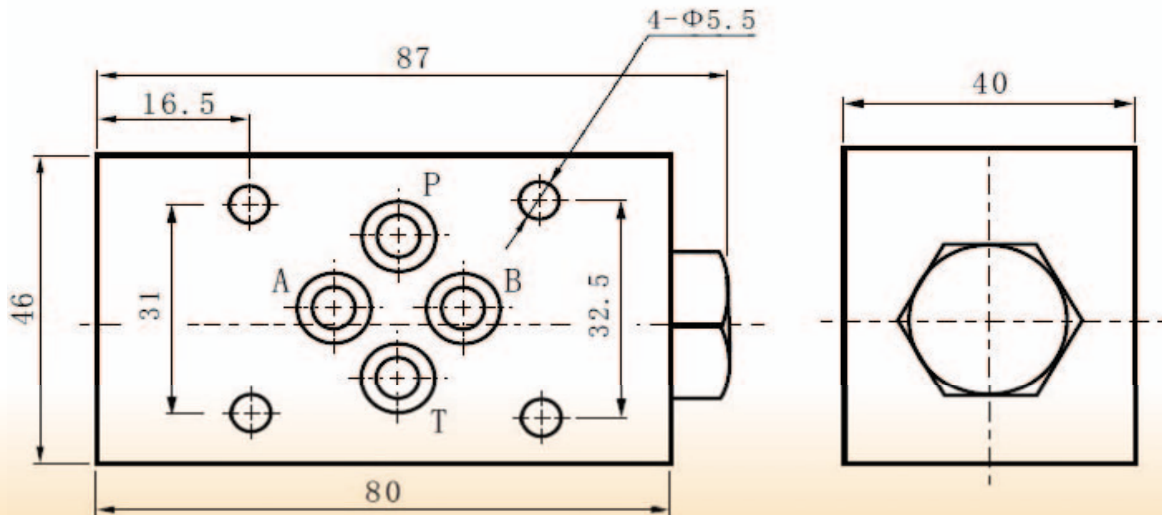


FFC-02A



FFC-02T

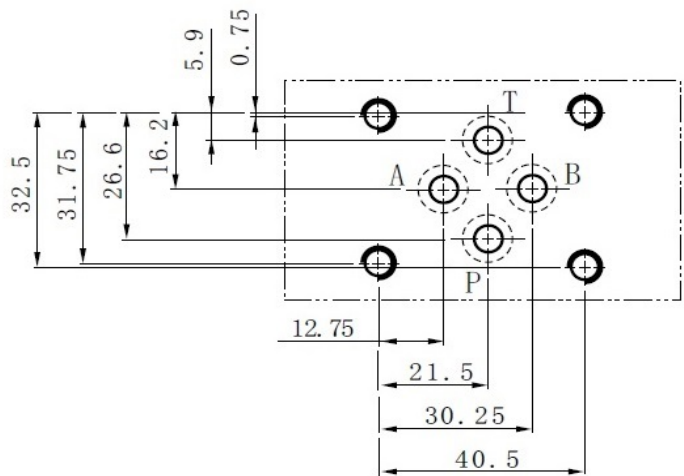
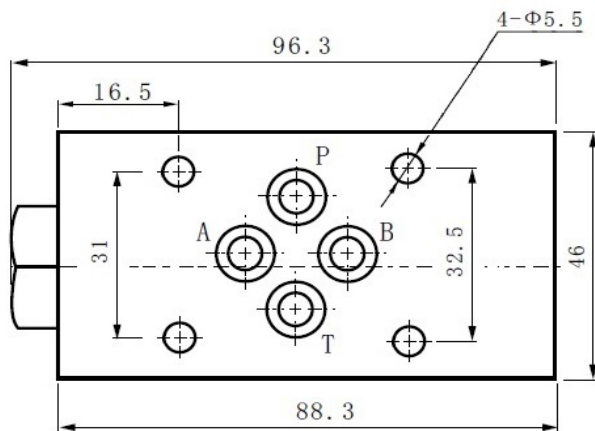
FFC-02P/T/B



FLOWFIT CETOP 3 NG6 MODULAR CHECK VALVE



FFC-02A



CETOP 3 NG6 MODULAR CHECK VALVE PRICE LIST

PRODUCT REFERENCE	DESCRIPTION	RRP
FFC-02P-05-20	CETOP 3 MODULAR CHECK VALVE C/P 0.35BAR ON P	£57.24
FFC-02P-50-20	CETOP 3 MODULAR CHECK VALVE C/P 3.5BAR ON P	£57.24
FFC-02A-05-20	CETOP 3 MODULAR CHECK VALVE C/P 0.35BAR ON A	£57.24
FFC-02A-50-20	CETOP 3 MODULAR CHECK VALVE C/P 3.5BAR ON A	£57.24
FFC-02B-05-20	CETOP 3 MODULAR CHECK VALVE C/P 0.35BAR ON B	£57.24
FFC-02B-50-20	CETOP 3 MODULAR CHECK VALVE C/P 3.5BAR ON B	£57.24
FFC-02T-05-20	CETOP 3 MODULAR CHECK VALVE C/P 0.35BAR ON T	£57.24
FFC-02T-50-20	CETOP 3 MODULAR CHECK VALVE C/P 3.5BAR ON T	£57.24



FLOWFIT CETOP 3 NG6 MODULAR PILOT OPERATED CHECK VALVE



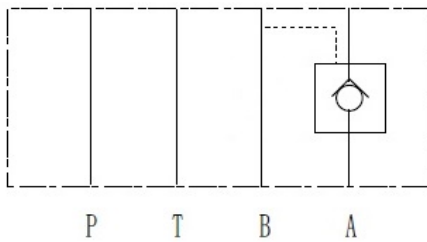
FLOWFIT CETOP 3 NG6 MODULAR PILOT OPERATED CHECK VALVE

The Flowfit modular pilot operated (P/O) check valve allows free flow in one direction and pilot pressure allows flow in the opposite direction.

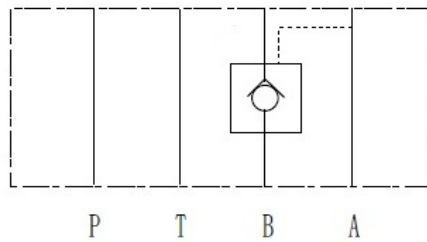
Flowfit pilot operated check valves are available for the A or B ports individually, or the A and B ports combined. They can be specified with a cracking pressure of 0.35bar or 3.5bar depending on the system requirements

SPECIFICATION

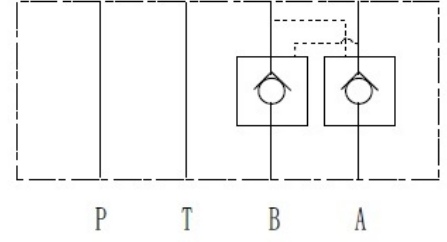
- Nominal Size:** NG6
- Maximum Flow Rate:** 35 l/min
- Maximum Pressure:** 250 Bar
- Seal Material:-** NBR
- Max Fluid Temperature:** -20° to 70°C
- Oil Viscosity:** -2.8 to 380 mm²/s
- Weight:** 1.1kg



FFPCV-02A



FFPCV-02B

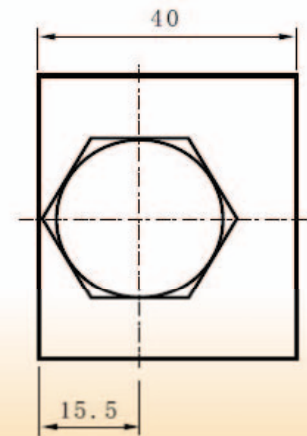
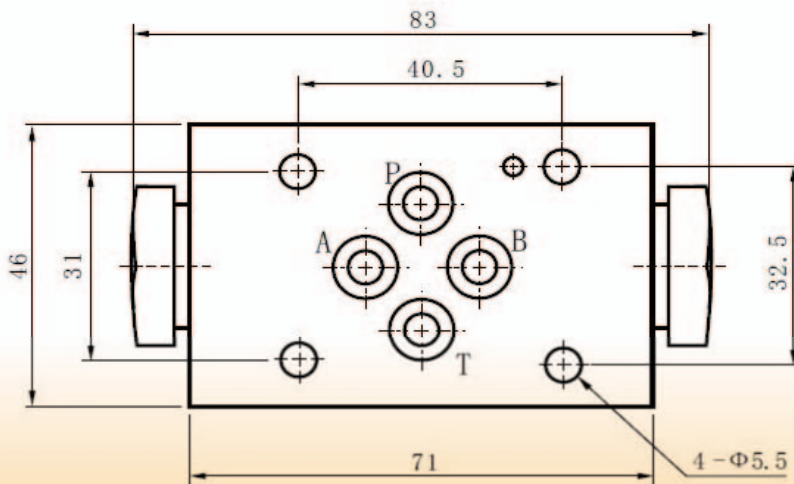


FFPCV-02W

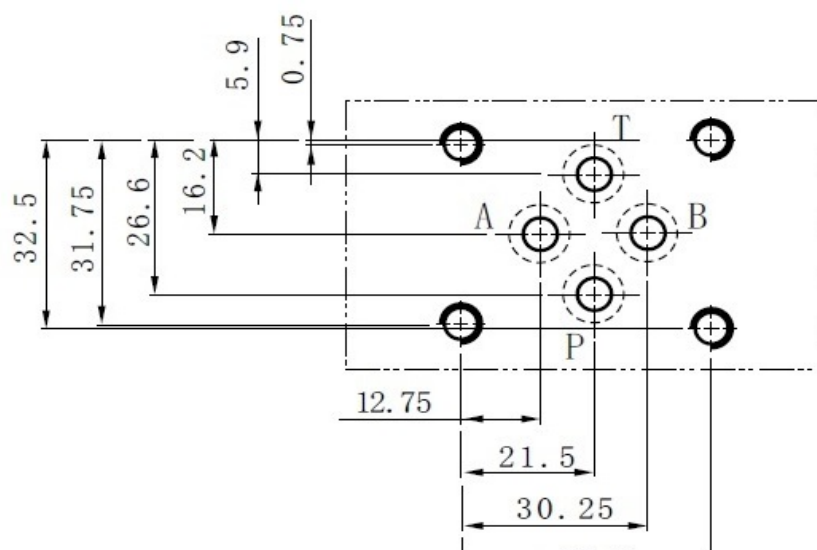
DIMENSIONS

UNIT.mm

FFPCV-02



FLOWFIT CETOP 3 NG6 MODULAR PILOT OPERATED CHECK VALVE



CETOP 3 NG6 MODULAR PILOT OPERATED CHECK VALVE PRICE LIST

PRODUCT REFERENCE	DESCRIPTION	RRP
FFPCV-02A-05-20	CETOP 3 MODULAR P/O CHECK VALVE C/P 0.35BAR ON A	£63.60
FFPCV-02A-50-20	CETOP 3 MODULAR P/O CHECK VALVE C/P 3.5BAR ON A	£63.60
FFPCV-02B-05-20	CETOP 3 MODULAR P/O CHECK VALVE C/P 0.35BAR ON B	£63.60
FFPCV-02B-50-20	CETOP 3 MODULAR P/O CHECK VALVE C/P 3.5BAR ON B	£66.78
FFPCV-02W-05-20	CETOP 3 MODULAR P/O CHECK VALVE C/P 0.35BAR ON A AND B	£66.78
FFPCV-02W-50-20	CETOP 3 MODULAR P/O CHECK VALVE C/P 3.5BAR ON A AND B	£66.78



FLOWFIT CETOP 3 NG6 MODULAR FLOW CONTROL VALVE WITH CHECK



FLOWFIT CETOP 3 NG6 MODULAR FLOW CONTROL VALVE WITH CHECK

The Flowfit modular flow control valves regulate the flow of oil through the circuit in one direction whilst allowing free flow in the opposite direction using a check valve.

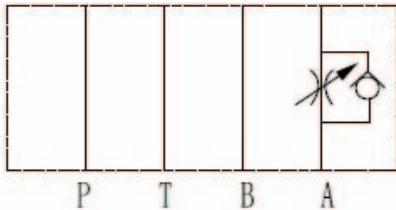
Two types of valve are available; the first meters the flow of oil into the circuit (allowing free flow out), while the second meters the flow out of the circuit (allowing free flow in).

Flow on the metered side can be adjusted using the plastic knob (standard on all modular flow control valves) but for added security, valves can also be supplied with an adjustment screw that can be locked once the desired flow has been set (Available upon request).

SPECIFICATION

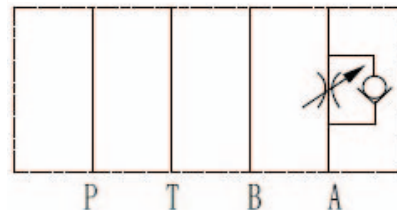
Nominal Size: NG6
Maximum Flow Rate: 35 l/min
Maximum Pressure: 250 Bar
Seal Material:- NBR
Max Fluid Temperature: -20° to 70°C
Oil Viscosity: -2.8 to 380 mm²/s
Weight: A, B 1.2kg
 W 1.4kg
Manual Adjustment: Standard on all valves

METERED OUT

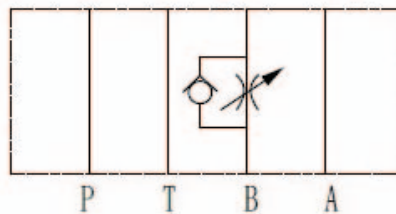


FFTCV-02A-K-20

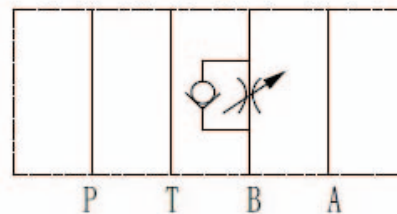
METERED IN



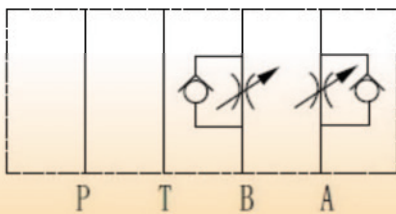
FFTCV-02A-K-I-20



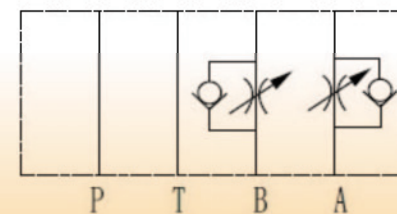
FFTCV-02B-K-20



FFTCV-02B-K-I-20



FFTCV-02W-K-20



FFTCV-02W-K-I-20

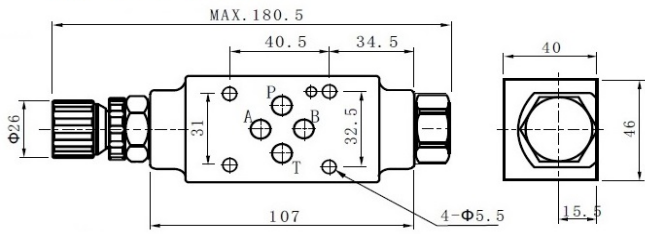
FLOWFIT CETOP 3 NG6 MODULAR FLOW CONTROL VALVE WITH CHECK



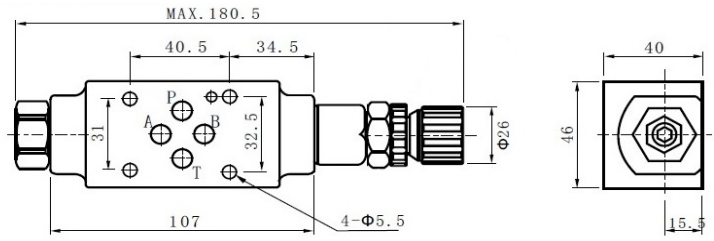
DIMENSIONS

UNIT:mm

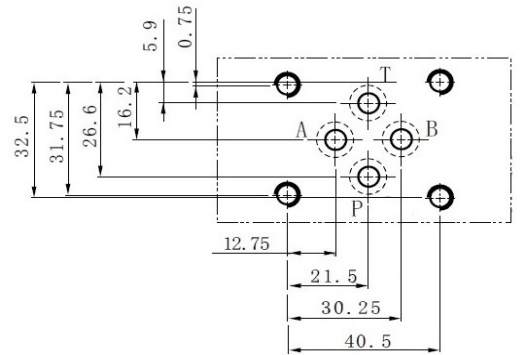
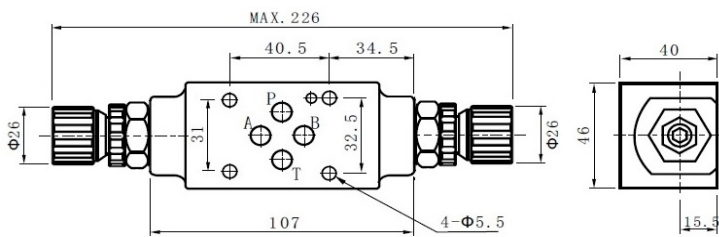
FFTCV-02A



FFTCV-02B



FFTCV-02W



CETOP 3 NG6 MODULAR FLOW CONTROL VALVE PRICE LIST

PRODUCT REFERENCE	DESCRIPTION	RRP
FFTCV-02A-K-20	CETOP 3 MODULAR FLOW CONTROL VALVE MTR OUT ON A PORT	£69.96
FFTCV-02A-K-I-20	CETOP 3 MODULAR LFLOW CONTROL VALVE MTR IN ON A PORT	£69.96
FFTCV-02B-K-20	CETOP 3 MODULAR FLOW CONTROL VALVE MTR OUT ON B PORT	£69.96
FFTCV-02B-K-I-20	CETOP 3 MODULAR LFLOW CONTROL VALVE MTR IN ON B PORT	£69.96
FFTCV-02W-K-20	CETOP 3 MODULAR FLOW CONTROL VALVE MTR OUT ON A+B PORT	£76.32
FFTCV-02W-K-I-20	CETOP 3 MODULAR LFLOW CONTROL VALVE MTR IN ON A+B PORT	£76.32



FLOWFIT CETOP 3 NG6 MODULAR COUNTER BALANCE VALVE

FLOWFIT CETOP 3 NG6 MODULAR COUNTER BALANCE VALVE

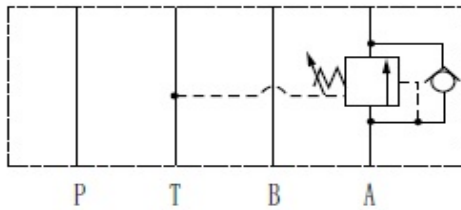
The Flowfit modular counter balance valve is designed to equalize the pressure in a specific line of a hydraulic system.

Pressure can be adjusted using the plastic knob (standard on all modular counter balance valves) but for added security, valves can also be supplied with an adjustment screw that can be locked once pressure has been set (Available upon request).

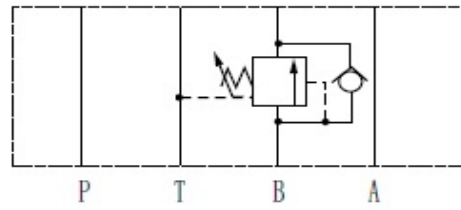
The pressure ranges available are:
 8 - 70bar
 35 - 140bar
 70 - 250bar



SPECIFICATION	
Nominal Size:	NG6
Maximum Flow Rate:	35 l/min
Maximum Pressure:	250 Bar
Seal Material:-	NBR
Max Fluid Temperature:	-20° to 70°C
Oil Viscosity:	-2.8 to 380 mm ² /s
Weight:	1.5kg
Manual Adjustment:	Standard on all valves



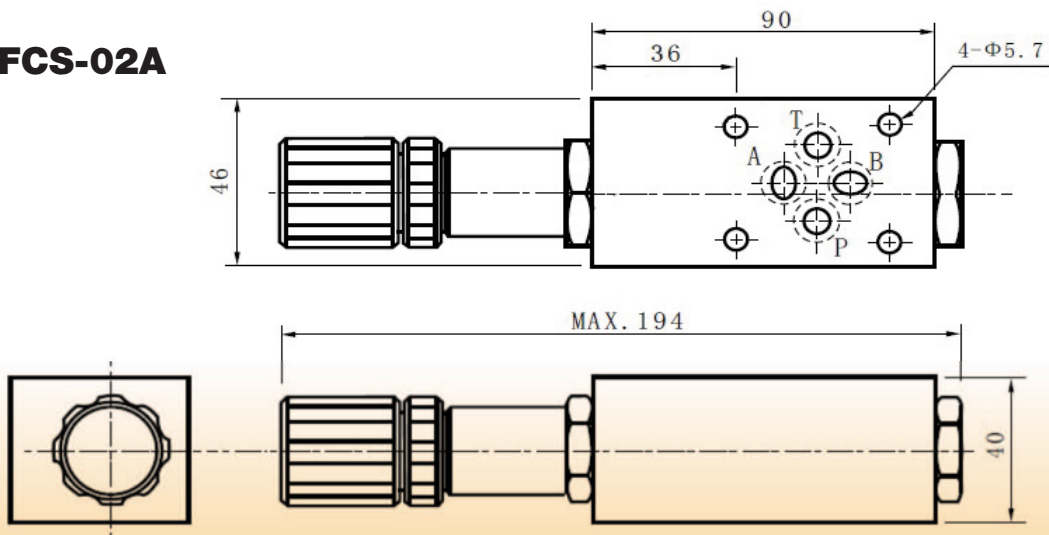
FFCS-02A



FFCS-02B

DIMENSIONS

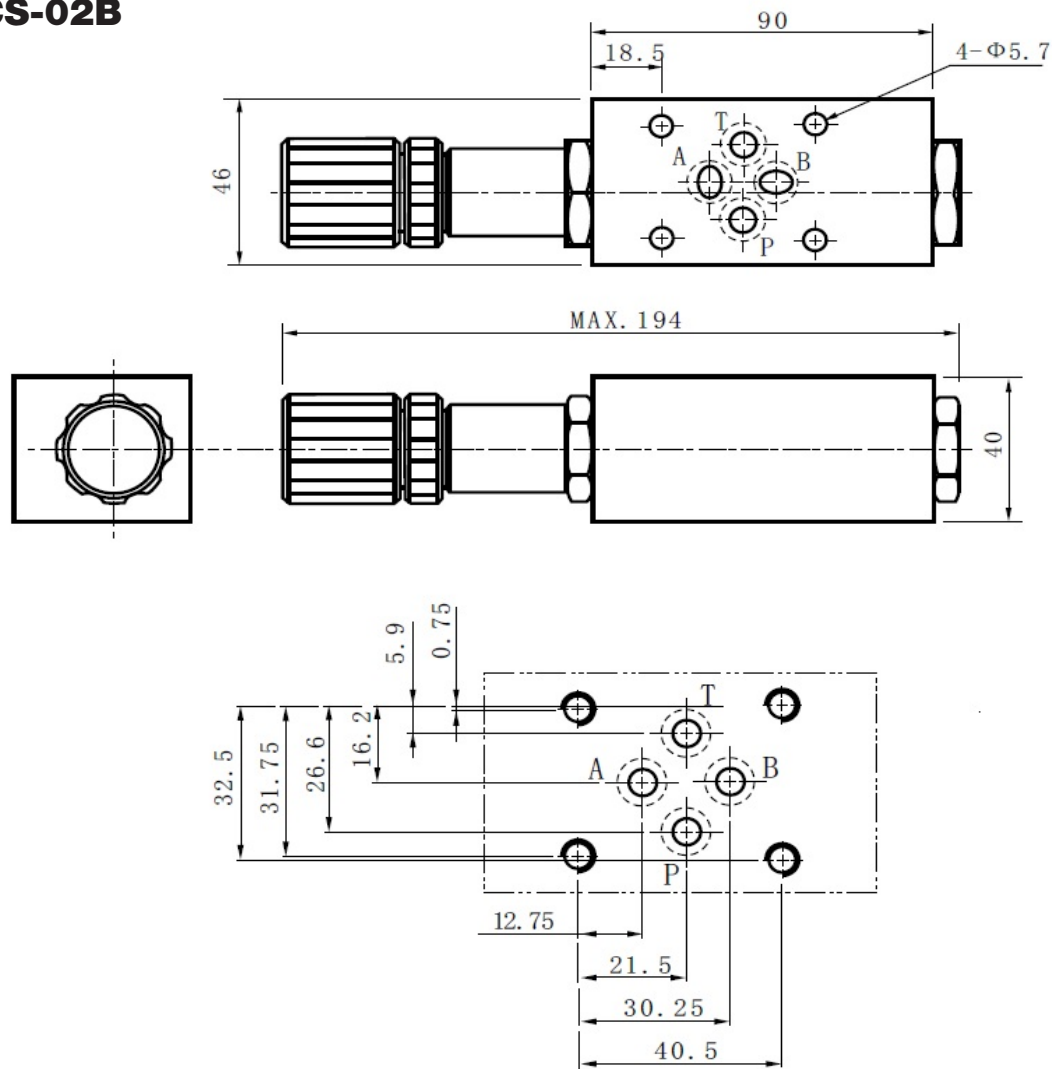
FFCS-02A



FLOWFIT CETOP 3 NG6 MODULAR COUNTER BALANCE VALVE



FFCS-02B



CETOP 3 NG6 MODULAR FLOW CONTROL VALVE PRICE LIST

PRODUCT REFERENCE	DESCRIPTION	RRP
FFCS-02A-K-1-20	CETOP 3 MODULAR COUNTER BALANCE VAVE 8-70BAR ON A LINE	£127.20
FFCS-02A-K-2-20	CETOP 3 MODULAR COUNTER BALANCE VAVE 35-140BAR ON A LINE	£127.20
FFCS-02A-K-3-20	CETOP 3 MODULAR COUNTER BALANCE VAVE 70-250BAR ON A LINE	£127.20
FFCS-02B-K-1-20	CETOP 3 MODULAR COUNTER BALANCE VAVE 8-70BAR ON B LINE	£127.20
FFCS-02B-K-2-20	CETOP 3 MODULAR COUNTER BALANCE VAVE 35-140BAR ON B LINE	£127.20
FFCS-02B-K-3-20	CETOP 3 MODULAR COUNTER BALANCE VAVE 70-250BAR ON B LINE	£127.20



FLOWFIT CETOP 3 NG6 STEEL PARALLEL CIRCUIT MANIFOLD

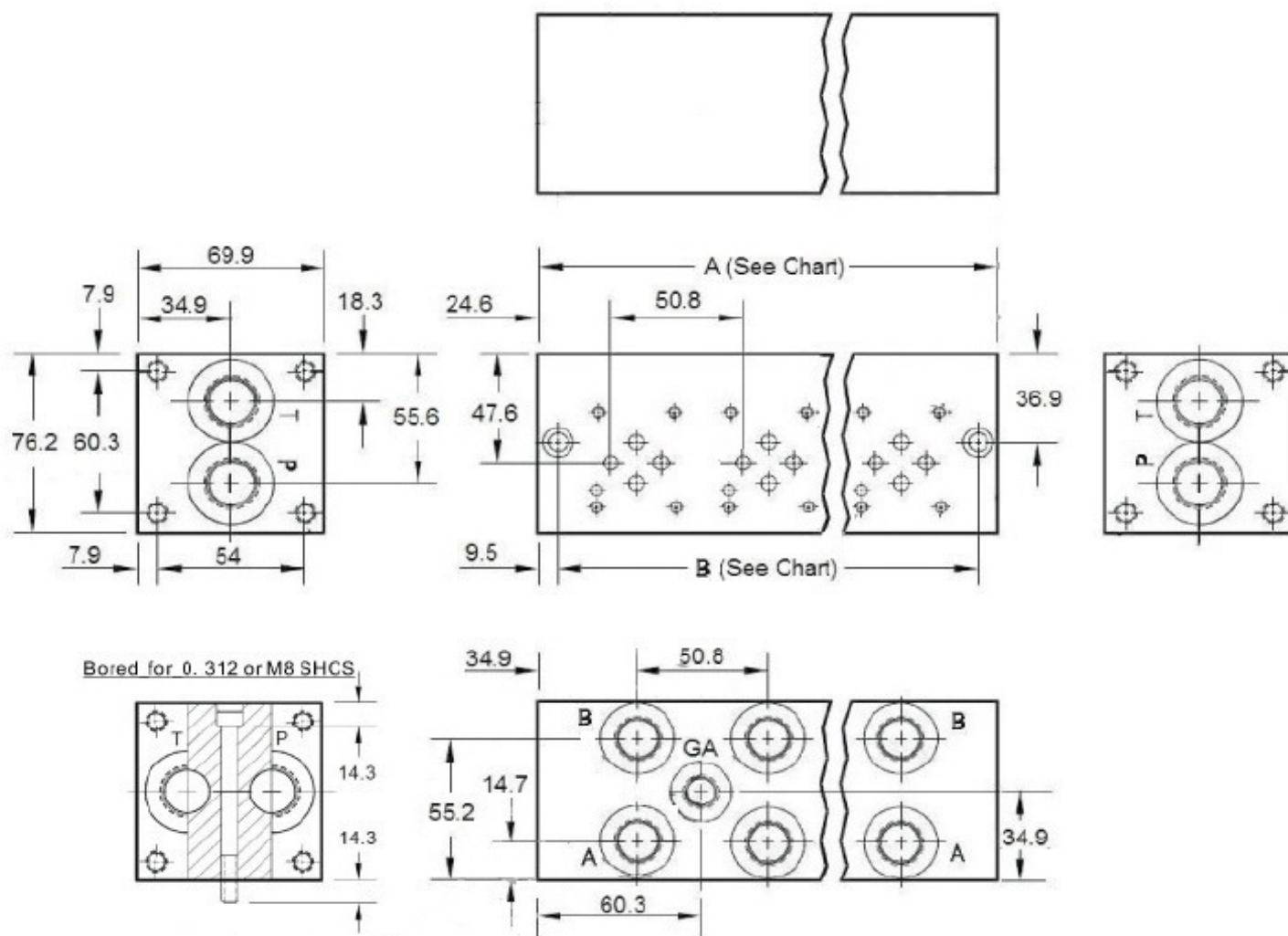


FLOWFIT CETOP 3 NG6 STEEL PARALLEL CIRCUIT MANIFOLD

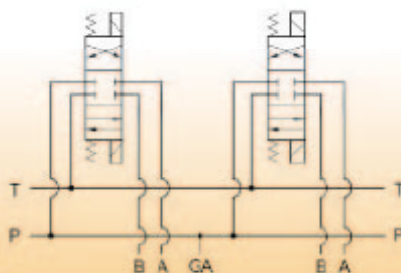
The Flowfit CETOP 3 parallel circuit manifold is precision machined from a mild steel block with sizes of 3/8" BSP for A & B ports and 1/2" BSP for P & T ports.

Flowfit manifolds are available from 1 to 10 stations with a 1/4" BSP Gauge port machined as standard on the 2 station and above (not available on the 1 station manifold).

SPECIFICATION



Parallel Circuit



FLOWFIT CETOP 3 NG6 STEEL PARALLEL CIRCUIT MANIFOLD



WEIGHT/ DIMENSIONS	NUMBER OF STATIONS									
	1	2	3	4	5	6	7	8	9	10
WEIGHT (KGS)	2.57	4.45	6.33	8.21	10.09	11.97	13.85	15.73	17.61	19.49
LENGTH "A" (MM)	69.9	12.07	171.5	222.3	273.1	323.9	374.7	425.5	476.3	527.1
LENGTH "B" (MM)	50.8	101.6	152.4	203.2	254	304.8	355.6	406.4	457.2	508

NOTE: GAUGE PORT IS NOT AVAILABLE ON 1 STATION MANIFOLD

CETOP 3 NG6 STEEL MANIFOLD (WITHOUT RELIEF VALVE CAVITY) PRICE LIST

PRODUCT REFERENCE	DESCRIPTION	RRP
MD-03P-1-G	CETOP 3 1 STATION STEEL MANIFOLD NO RV CAVITY	£38.16
MD-03P-2-G	CETOP 3 2 STATION STEEL MANIFOLD NO RV CAVITY	£69.96
MD-03P-3-G	CETOP 3 3 STATION STEEL MANIFOLD NO RV CAVITY	£102.82
MD-03P-4-G	CETOP 3 4 STATION STEEL MANIFOLD NO RV CAVITY	£139.92
MD-03P-5-G	CETOP 3 5 STATION STEEL MANIFOLD NO RV CAVITY	£178.08
MD-03P-6-G	CETOP 3 6 STATION STEEL MANIFOLD NO RV CAVITY	£216.24
MD-03P-7-G	CETOP 3 7 STATION STEEL MANIFOLD NO RV CAVITY	£254.40
MD-03P-8-G	CETOP 3 8 STATION STEEL MANIFOLD NO RV CAVITY	£292.56
MD-03P-9-G	CETOP 3 9 STATION STEEL MANIFOLD NO RV CAVITY	£330.72
MD-03P-10-G	CETOP 3 10 STATION STEEL MANIFOLD NO RV CAVITY	£375.24



FLOWFIT CETOP 3 NG6 STEEL PARALLEL CIRCUIT MANIFOLD WITH RELIEF VALVE

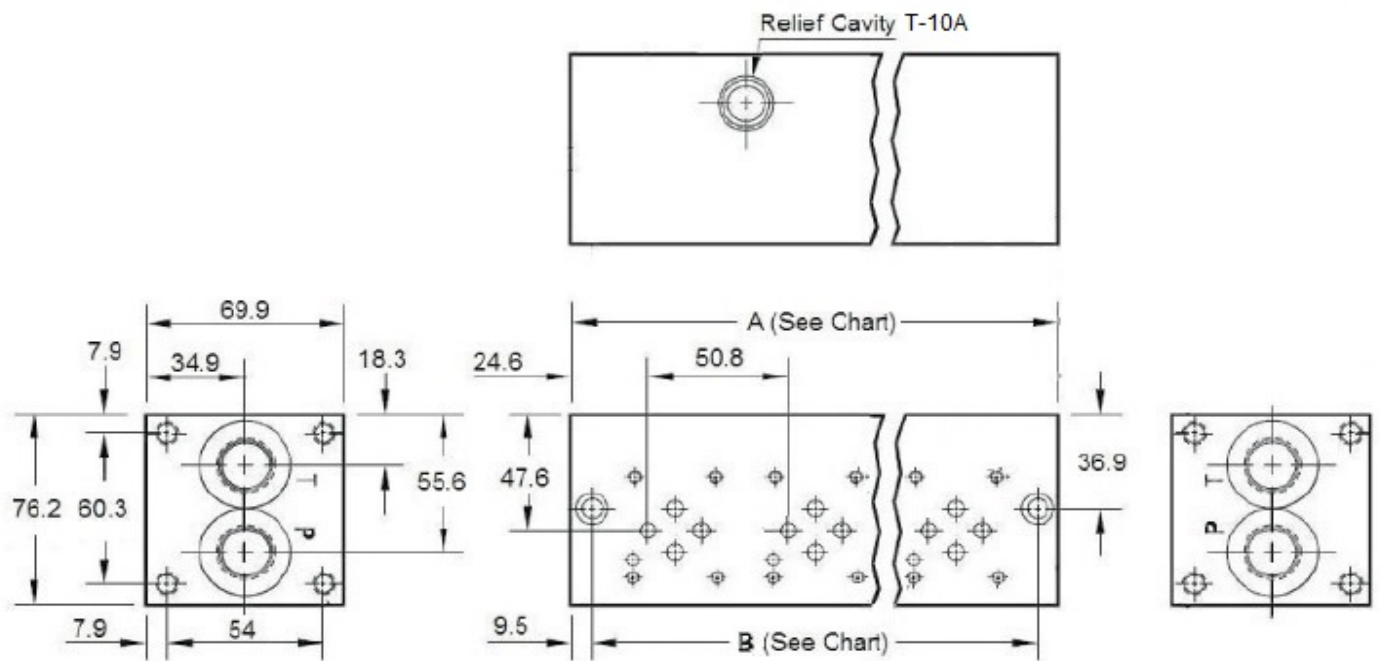


FLOWFIT CETOP 3 NG6 STEEL PARALLEL CIRCUIT MANIFOLD WITH RELIEF VALVE CAVITY

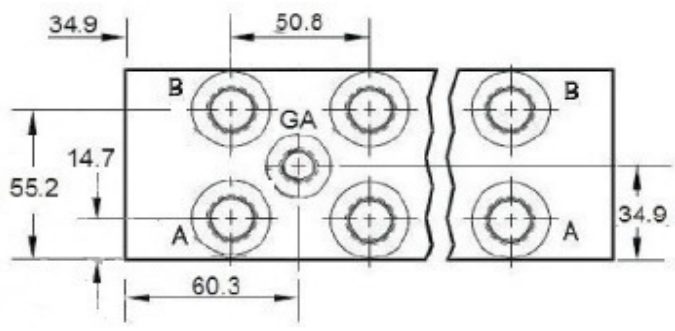
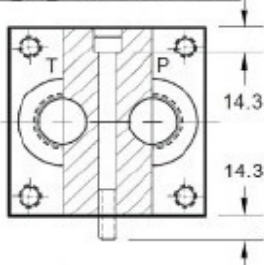
The Flowfit CETOP 3 parallel circuit manifold is precision machined from a steel block with sizes of 3/8" BSP for A & B ports and 1/2" BSP for P & T ports. The manifold also comes with a machined port for a relief valve.

Flowfit manifolds are available from 1 to 10 stations with a 1/4" BSP Gauge port machined as standard on the 2 station and above (not available on the 1 station manifold).

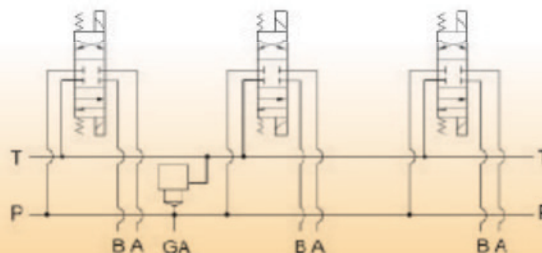
SPECIFICATION



Bored for 0.312 or M8 SHCS



Parallel Circuit with Cavity



FLOWFIT CETOP 3 NG6 STEEL PARALLEL CIRCUIT MANIFOLD WITH RELIEF VALVE



WEIGHT/ DIMENSIONS	NUMBER OF STATIONS									
	1	2	3	4	5	6	7	8	9	10
WEIGHT (KGS)	3.51	4.45	6.33	8.21	10.09	11.97	13.85	15.73	17.61	19.49
LENGTH "A" (MM)	95.3	12.07	171.5	222.3	273.1	323.9	374.7	425.5	476.3	527.1
LENGTH "B" (MM)	76.2	101.6	152.4	203.2	254	304.8	355.6	406.4	457.2	508

NOTE: GAUGE PORT IS NOT AVAILABLE ON 1 STATION MANIFOLD

CETOP 3 NG6 STEEL MANIFOLD (WITH RELIEF VALVE CAVITY) PRICE LIST

PRODUCT REFERENCE	DESCRIPTION	RRP
MD-03P-1-G-S	CETOP 3 1 STATION STEEL MANIFOLD WITH RV CAVITY	£97.92
MD-03P-2-G-S	CETOP 3 2 STATION STEEL MANIFOLD WITH RV CAVITY	£123.49
MD-03P-3-G-S	CETOP 3 3 STATION STEEL MANIFOLD WITH RV CAVITY	£166.69
MD-03P-4-G-S	CETOP 3 4 STATION STEEL MANIFOLD WITH RV CAVITY	£210.88
MD-03P-5-G-S	CETOP 3 5 STATION STEEL MANIFOLD WITH RV CAVITY	£259.49
MD-03P-6-G-S	CETOP 3 6 STATION STEEL MANIFOLD WITH RV CAVITY	£299.12
MD-03P-7-G-S	CETOP 3 7 STATION STEEL MANIFOLD WITH RV CAVITY	£349.47
MD-03P-8-G-S	CETOP 3 8 STATION STEEL MANIFOLD WITH RV CAVITY	£402.74
MD-03P-9-G-S	CETOP 3 9 STATION STEEL MANIFOLD WITH RV CAVITY	£443.40
MD-03P-10-G-S	CETOP 3 10 STATION STEEL MANIFOLD WITH RV CAVITY	£493.22
SNH-RDDALAN	CETOP 3 RELIEF CARTRIDGE	£65.46



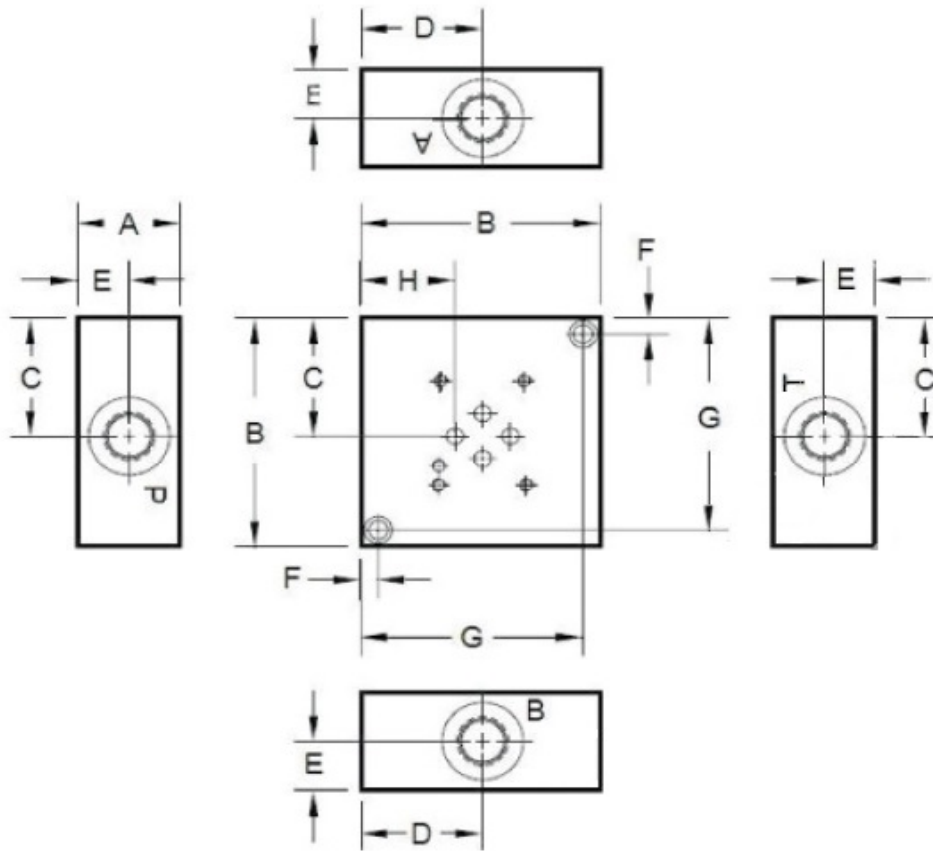
FLOWFIT CETOP 3 NG6 STEEL SUBPLATE WITH SIDE PORTS



FLOWFIT CETOP 3 NG6 STEEL SUBPLATE WITH SIDE PORTS

The Flowfit CETOP 3 subplate is machined from steel and is available with 3/8" BSP, 1/2" BSP or 3/4" BSP side ports.

SPECIFICATION



PRODUCT REFERENCE	PORT SIZE	DIMENSIONS							
		A	B	C	D	E	F	G	H
D-03-SP-S-6G	3/8" BSP	25.4	63.5	33.3	31.8	12.7	6.4	57.2	22.4
D-03-SP-S-8G	1/2" BSP	38.1	88.9	46	45.2	19.1	6.4	82.6	34.9
D-03-SP-S-12G	3/4" BSP	44.5	102	52.4	51.6	22.2	9.5	92.1	41.3

CETOP 3 NG6 STEEL SUBPLATE WITH SIDE PORTS PRICE LIST

PRODUCT REFERENCE	DESCRIPTION	RRP
D-03-SP-S-6G	CETOP 3 SUBPLATE SIDE ENTRY 3/8" BSPP PORTED	£28.62
D-03-SP-S-8G	CETOP 3 SUBPLATE SIDE ENTRY 1/2" BSPP PORTED	£31.42
D-03-SP-S-12G	CETOP 3 SUBPLATE SIDE ENTRY 3/4" BSPP PORTED	£48.97

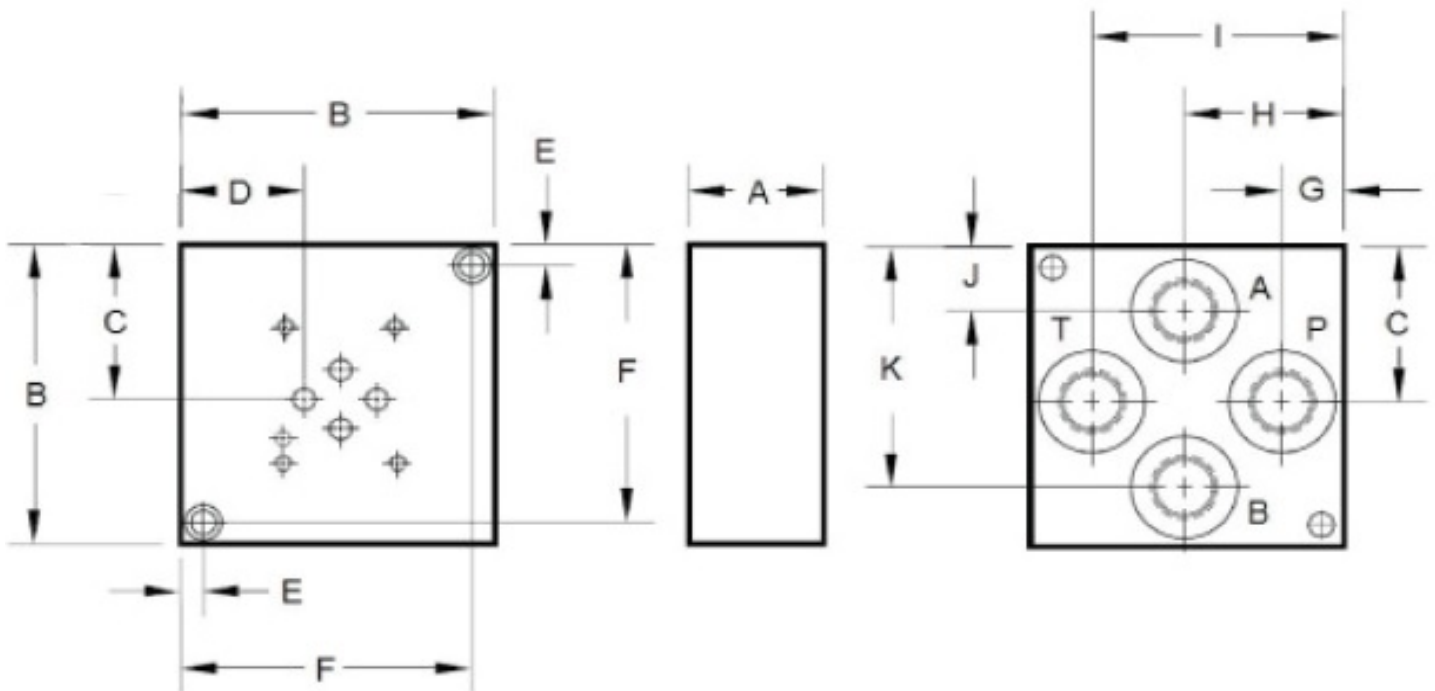
FLOWFIT CETOP 3 NG6 STEEL SUBPLATE WITH BASE PORTS



FLOWFIT CETOP 3 NG6 STEEL SUBPLATE WITH BASE PORTS

The Flowfit CETOP 3 subplate is machined from steel and is available with 3/8" BSP, 1/2" BSP or 3/4" BSP base ports.

SPECIFICATION



PRODUCT REFERENCE	PORT SIZE	DIMENSIONS										
		A	B	C	D	E	F	G	H	I	J	K
D-03-SP-B-6G	3/8" BSP	25.4	63.5	31.8	21.4	6.4	57.2	13	31.8	50.4	13.2	50
D-03-SP-B-8G	1/2" BSP	38.1	88.9	46	34.9	6.4	82.6	17.5	45.2	71.4	19.1	71.4
D-03-SP-B-12G	3/4" BSP	38.1	114	58.8	47.6	9.5	105	23.8	57.9	90.5	23.8	90.5

CETOP 3 NG6 STEEL SUBPLATE WITH BASE PORTS PRICE LIST

PRODUCT REFERENCE	DESCRIPTION	RRP
D-03-SP-B-6G	CETOP 3 SUBPLATE BASE ENTRY 3/8" BSPP PORTED	£28.62
D-03-SP-B-8G	CETOP 3 SUBPLATE BASE ENTRY 1/2" BSPP PORTED	£31.42
D-03-SP-B-12G	CETOP 3 SUBPLATE BASE ENTRY 3/4" BSPP PORTED	£48.97



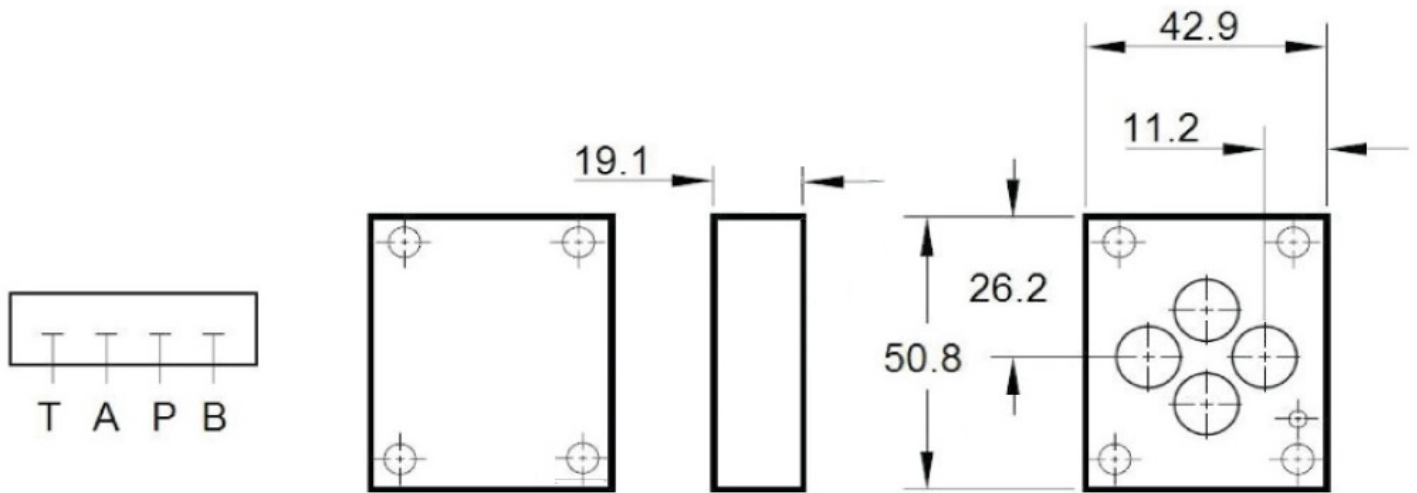
FLOWFIT CETOP 3 NG6 STEEL COVER PLATE



FLOWFIT CETOP 3 NG6 STEEL COVER PLATE

The Flowfit steel cover plate replaces a CETOP 3 solenoid valve on the steel manifold, providing a pressure blank to enable the remaining stations to operate.

SPECIFICATION



CETOP 3 NG6 STEEL COVER PLATE PRICE LIST

PRODUCT REFERENCE	DESCRIPTION	RRP
D-03-CP-G	CETOP 3 COVER PLATE	£8.97