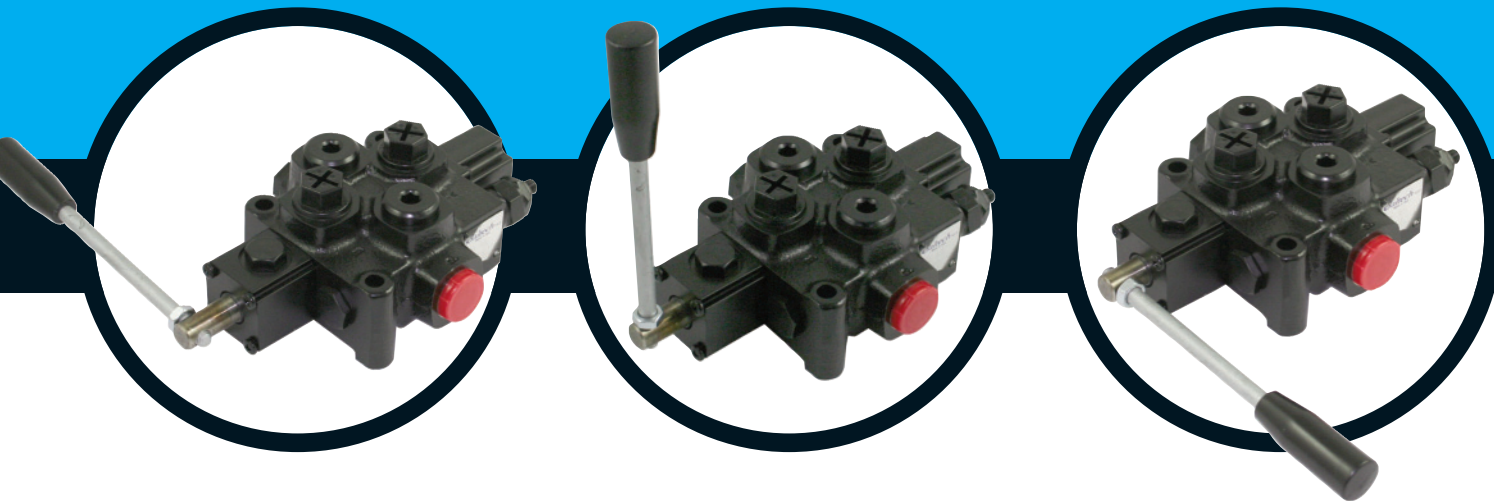


# ROTARY HYDRAULIC OPERATED LEVER VALVES



# FLOWFIT

# ROTARY HYDRAULIC OPERATED LEVER VALVES



## GENERAL

All valves are double acting three position rotary control detent notched in the neutral position.

All valves have an integral main relief 30-280BAR/435PSI - 4060PSI.

Max operating pressure - see below.

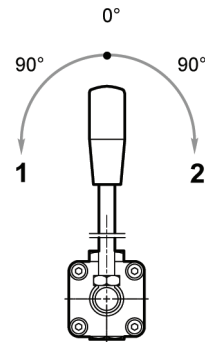
Ports 3/8" - 1/2" and 3/4" BSP available.

Painted - Primer Expo Inver No1 and finished with black paint castalux CAS - RAL 9005.

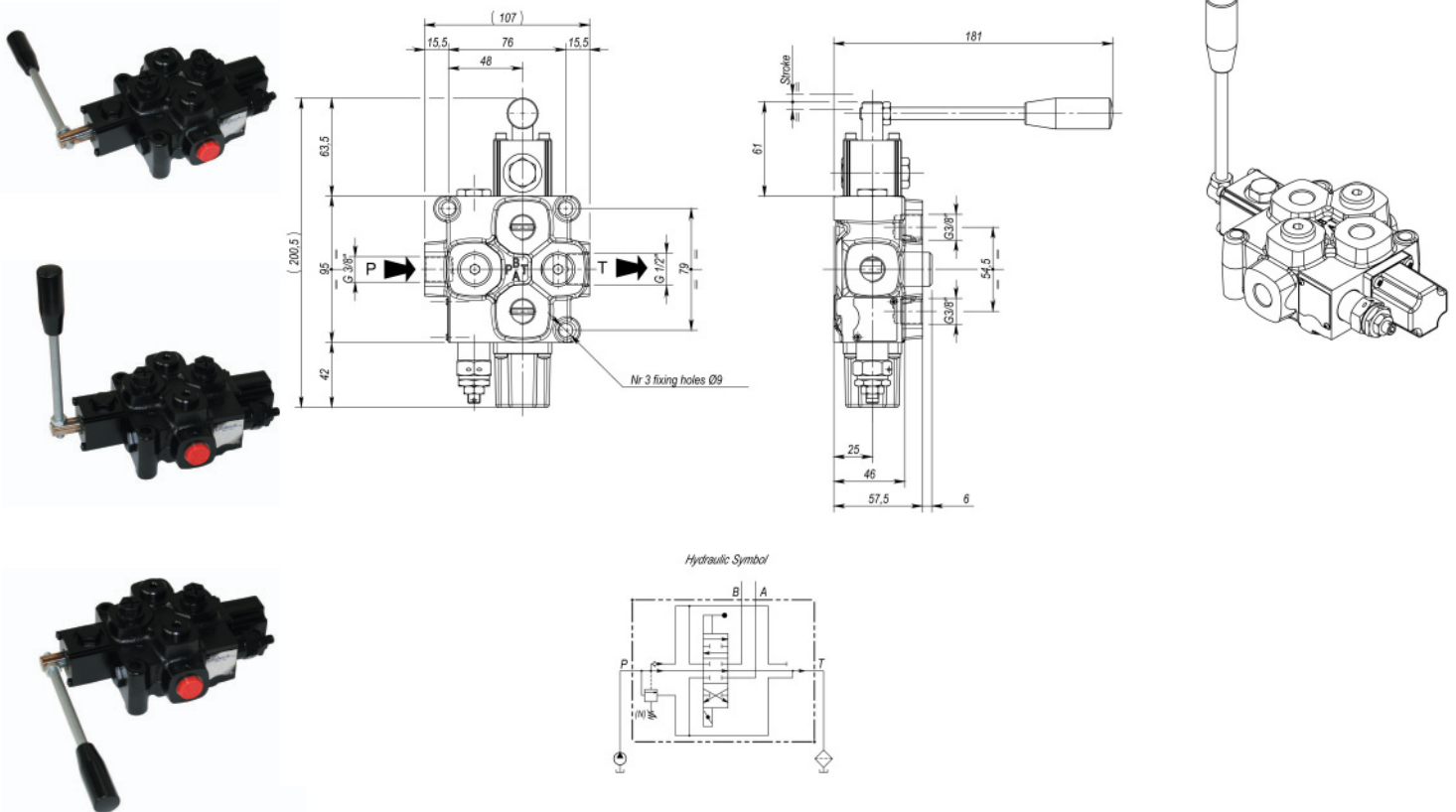
These valves are fully marinised and will outlive an agricultural market valve by many years when used in a sea water environment.

The rotary versions give good speed control in conjunction with excellent spool metering.

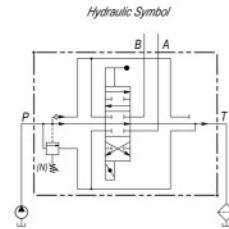
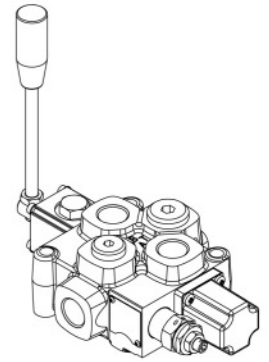
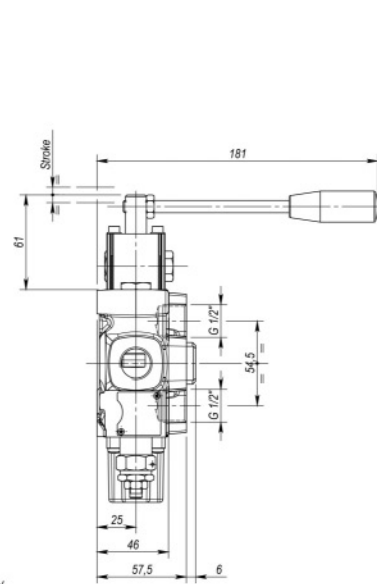
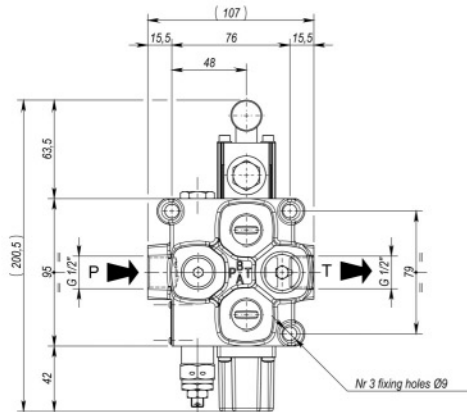
Ideal for winch applications and built to withstand harsh on-deck conditions.



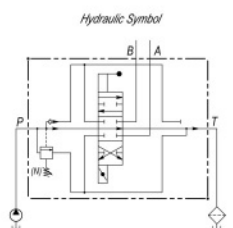
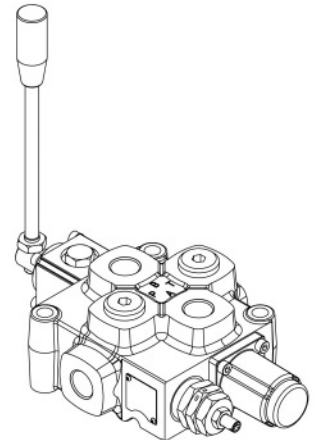
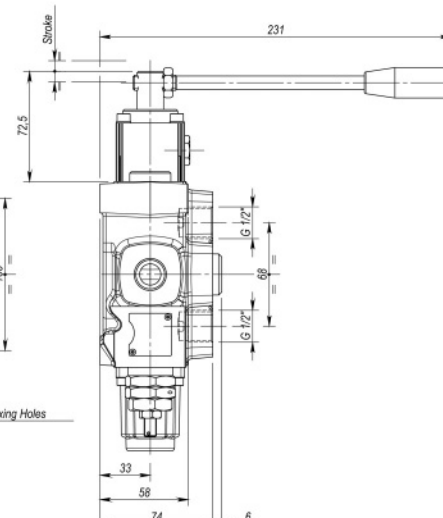
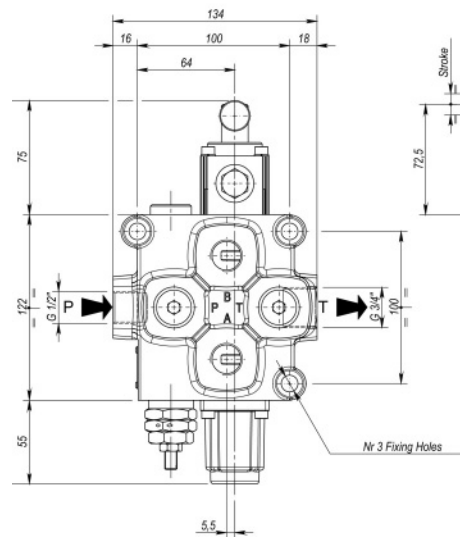
PART NO	DESCRIPTION	FLOW L/MIN	OPERATION PRESSURE BAR	PORT SIZE BSP		PRICE £
				P, A + B	T	
ZZ002054	Q25 F1S(N) - 103/RTLS - F3D	40	350	3/8"	3/8"	£190.04



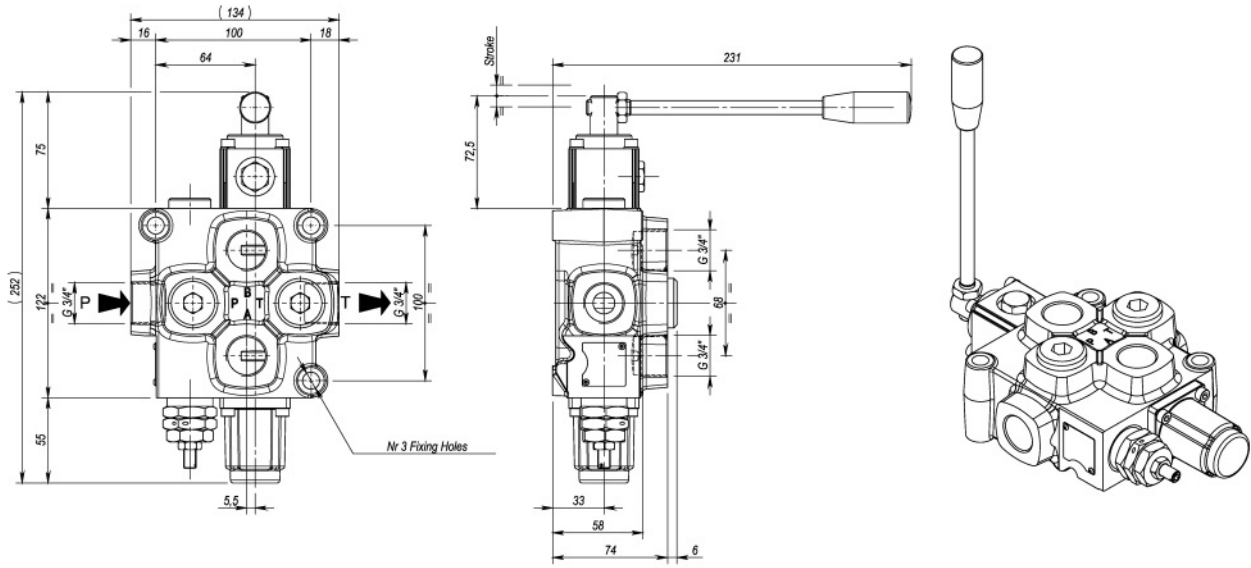
PART NO	DESCRIPTION	FLOW L/MIN	OPERATION PRESSURE BAR	PORT SIZE BSP		PRICE £
				P, A + B	T	
ZZ001867	Q45 F1S(N) - 103/RTLS - F3D	60	350	1/2"	1/2"	£208.35



PART NO	DESCRIPTION	FLOW L/MIN	OPERATION PRESSURE BAR	PORT SIZE BSP		PRICE £
				P, A + B	T	
ZZ002055	Q75 F1S(N) - 103/RTLS - F3D	90	350	1/2"	3/4"	£331.99



PART NO	DESCRIPTION	FLOW L/MIN	OPERATION PRESSURE BAR	PORT SIZE BSP		PRICE £
				P, A + B	T	
ZZ002056	Q95 F1S(N) - 103/RTLS - F3D	120	350	3/4"	3/4"	£340.01



Hydraulic Symbol

