

SOLENOID DIVERter VALVES • SECTION NP5

FLOWFIT SOLENOID DIVERter VALVES

FLOWFIT SDV3 - 3 WAY SOLENOID DIVERterS..... NP78
FLOWFIT SDV06 - 6 WAY SOLENOID DIVERterS..... NP79
FLOWFIT SDV10 - 6 WAY SOLENOID DIVERterS..... NP81
FLOWFIT DIVERter VALVE HANDLEVER MICROSWITCH KIT NP82



FLOWFIT®

SOLENOID DIVERTER VALVES

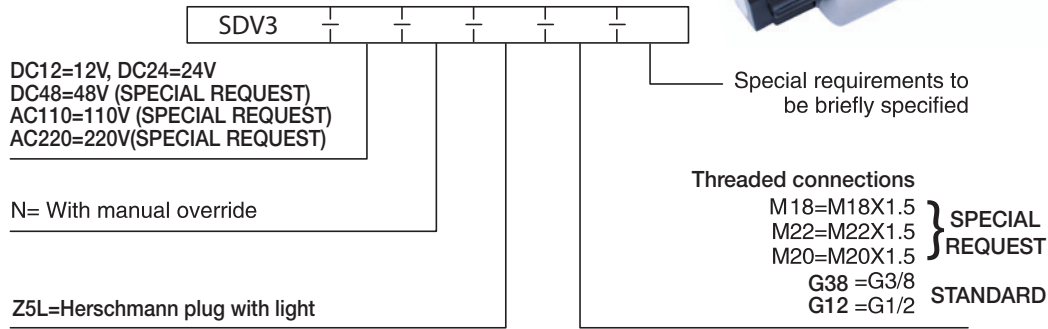
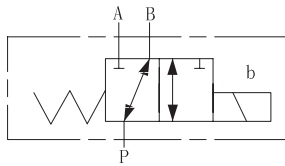


SDV3

3 WAY SOLENOID DIVERTERS MAX FLOW 80L/MIN

Diverters are used to add an extra facility to the directional control valve when it is needed for a sequence of operations such as a safety operation or to control a selected hydraulic cylinder.

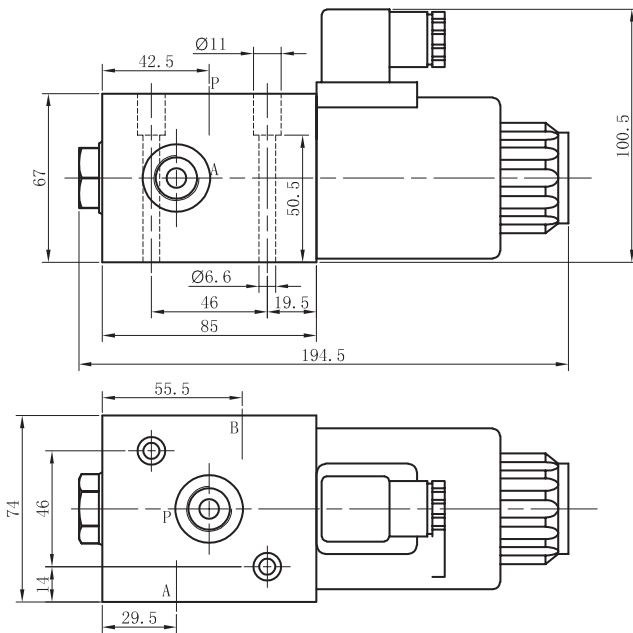
No drainline required.



Technical Data

Type Model	SDV3
Max Operating pressure (bar)	210
Max Flow rate (L/min)	80

SDV3 Installation Dimensions



- COMPACT
- EASY TO INSTALL
- EXCELLENT PRICE
- OEM TOP DEMANDED FLOWFIT PRODUCT



- MANUAL OVERRIDE STANDARD

PART NUMBER	VOLTAGE	PORT SIZE BSP	FLOW RATE L/MIN	MAX PRESSURE BAR	WEIGHT (KG)	PRICE
SDV3DC12NZ5LG38	12 VDC	3/8"	80	210	4.23	£114.48
SDV3DC24NZ5LG38	24 VDC	3/8"	80	210	4.23	£114.48
SDV3DC12NZ5LG12	12 VDC	1/2"	80	210	4.23	£131.44
SDV3DC24NZ5LG12	24 VDC	1/2"	80	210	4.23	£131.44

FOR DIVERTER VALVE HANDLEVER MICROSWITCH KIT SEE PAGES 82

SOLENOID DIVERTER VALVES



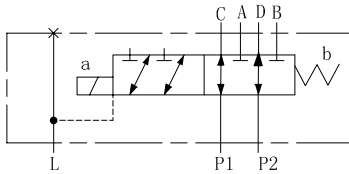
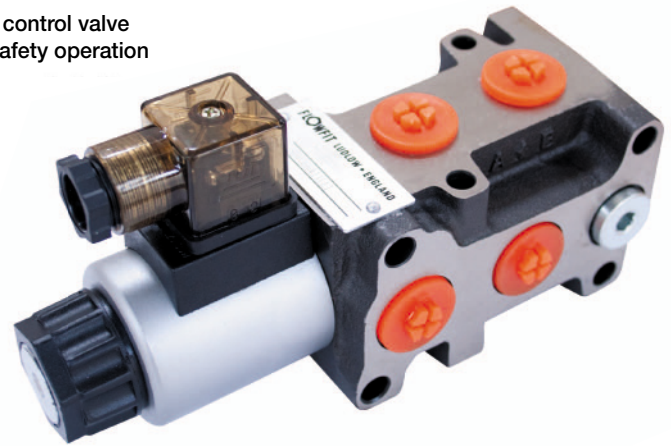
SDV06

6 WAY SOLENOID DIVERTERS MAX FLOW 50L/MIN

Diverters are used to add an extra facility to the directional control valve when it is needed for a sequence of operations such as a safety operation or to control a selected hydraulic cylinder.

The stackable circuit selector valves type SDV06 allow one single drive of 6 users with 5 diverters connected in series.

Please note the drainline must be connected back to tank at all times.



Max.p ressure	250b ar
Max. flow	50 l/min
Overlap	negative
79 Hydraulic fluids	Mineral oils DIN 51524
79 Fluid viscosity	10 ÷ 500 mm ² /s
Fluid temperature	-25°C ÷ 75°C
Ambient temperature	-25°C ÷ 60°C
Max. Contamination level	class 10 in accordance
Oil cleanliness	NAS with 1638 with filter B25≥75 NAS 1638 class 9 and ISO 4406 class 20/18/15
Valve Body Surface Finish	Phosphate surface finish

SDV	06	6	W	I	/	*	*	**	
-----	----	---	---	---	---	---	---	----	--

Stackable diverter valve

Size 06

No of ways single element (6 Way)

Threaded connectors 3/8" BSP

External Drain

No of elements: 1/2/3/4/5

VARIANTS
00=No variant
V1=Viton
R1=recitifier

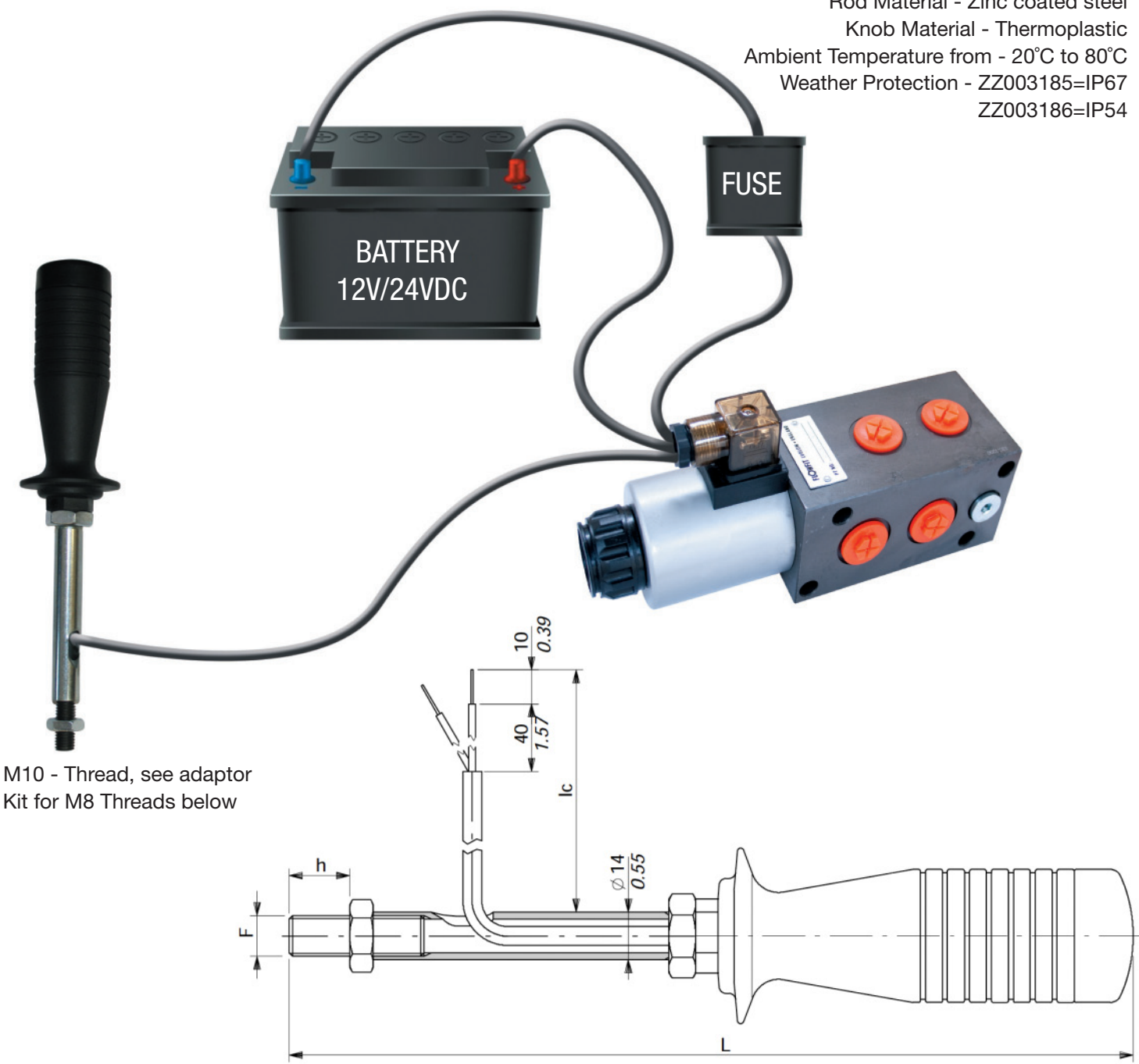
Voltage L=12V M=24V
DC48=48V AC110=110V
AC220=220V

FOR DIVERTER VALVE HANDLEVER MICROSWITCH KIT SEE PAGES 82

DIVERTER VALVE HANDLEVER MICROSWITCH KIT **FLOWFIT**

WORKING CONDITIONS FOR THE MICROSWITCH

- Rod Material - Zinc coated steel
- Knob Material - Thermoplastic
- Ambient Temperature from - 20°C to 80°C
- Weather Protection - ZZ003185=IP67
ZZ003186=IP54



M10 - Thread, see adaptor Kit for M8 Threads below

Dimension Information				
PART NUMBER	F	h (mm)	l (mm)	lc mm
ZZ003185	M10	20	250	425
ZZ003186	M10	19	200	430

Thread Adaptor Kit		
PART NUMBER	DESCRIPTION	PRICE
6473210	M8 MALE X M10 FEMALE THREAD ADAPTOR ZINC PLATED	£4.13

Prices for Handlever Microswitch only

PART NUMBER	OPERATION OF SWITCH	THREAD TYPE	LENGTH (MM)	WEIGHT (KG)	PRICE
ZZ003185	PUSH BUTTON ON/OFF	M10	250	0.5	£94.34
ZZ003186	ROCKER SWITCH ON/OFF DETENT 2 POSITION	M10	250	0.5	£104.94