

PTO GEARBOXES

SERIES 60000 PTO GEARBOX PUMP GROUP 2 • 10KW.....	452
SERIES 70000 PTO GEARBOX PUMP GROUP 3 • 20KW.....	453
SERIES 70000 PTO GEARBOX WITH THROUGH SHAFTS PUMP GROUP 3 • 20KW.....	454
SERIES 80000 PTO GEARBOX PUMP GROUP 3.5 • 36KW.....	454
SERIES MLT 3.5 PTO GEARBOX PUMP GROUP 3.5 • 40KW.....	456
SERIES 85000 PTO GEARBOX DUAL PUMP GROUP 2 AND/OR GROUP 3 • 35KW.....	457
SERIES 90000 PTO GEARBOX DUAL PUMP GROUP 3 AND/OR GROUP 3.5 • 45KW.....	458
SERIES 91000 PTO GEARBOX DUAL PUMP GROUP 4 • 74KW.....	459
FLANGES TO FIT PTO GEARBOXES 60000-70000-70012-8500.....	460
FLANGES TO FIT PTO GEARBOXES 80000-90000-91000.....	461
SERIES 70012 CAST IRON PTO GEARBOX PUMP GROUP 3 • 37KW.....	462
SERIES 97601 CAST IRON PTO GEARBOX PUMP SAE 'A' + SAE 'B'.....	463
SERIES 97701 CAST IRON PTO GEARBOX PUMP GROUP 2 + GROUP 3.....	464

The Pto Gearboxes are designed for connecting gear pumps to farm tractor power take offs (PTO). Output speed of power take offs is 540 rpm which can be compared with the proper running speeds of hydraulic pumps. Different input running speeds can also be suitable, provided that the PTO gearbox output speed does not exceed 3000 rpm.

Housing

Made in shell-cast aluminum or in high mechanical resistance cast iron.

Gears

The gears have manufactured to ISO/DIN 3990-88 standards. Made in Steel UNI 18 PCR M03. Stub teeth guarantee very high resistance and run very quietly.

Shafts

Made in steel UNI 16 CRN4. They are coupled with splined gears and are designed to stand the torque values stated in the catalogue.

Torques

The torque figures mentioned in the technical charts of all the PTO Gearboxes refer to continuous duty cycles. Torques under intermittent working conditions can be exceeded by 20%.

Lubrication

SAE 90 gear oil must be put in the pto gearbox prior to use-please note we do not supply the gear oil and will not accept responsibility for customers not putting oil in.

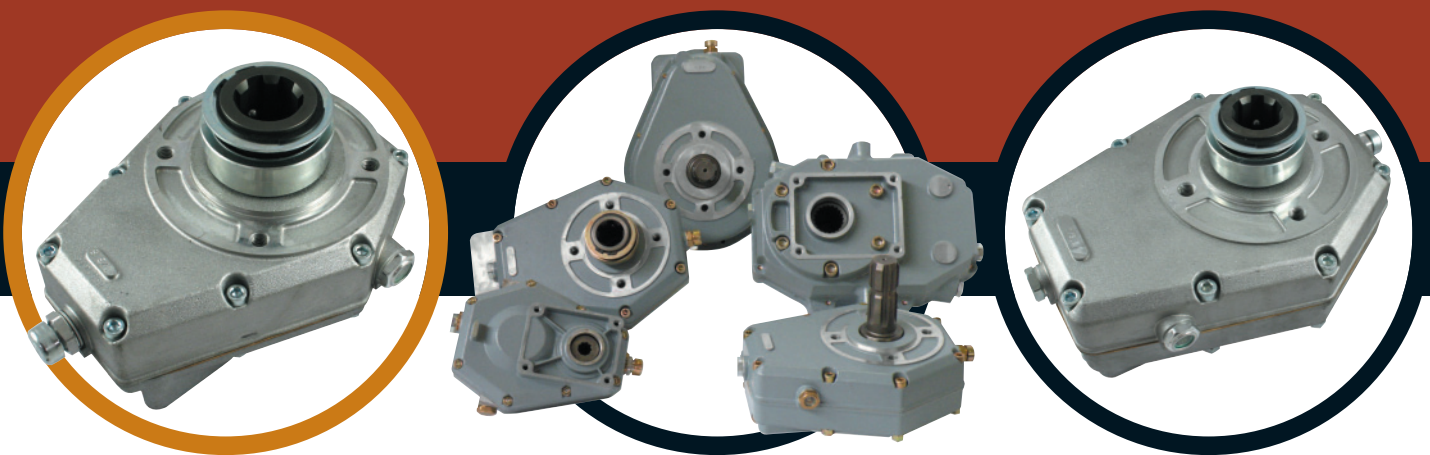
Change the oil after the first 60-80 hours and then every 12 months or 1500 hours which ever falls first.

Maintenance

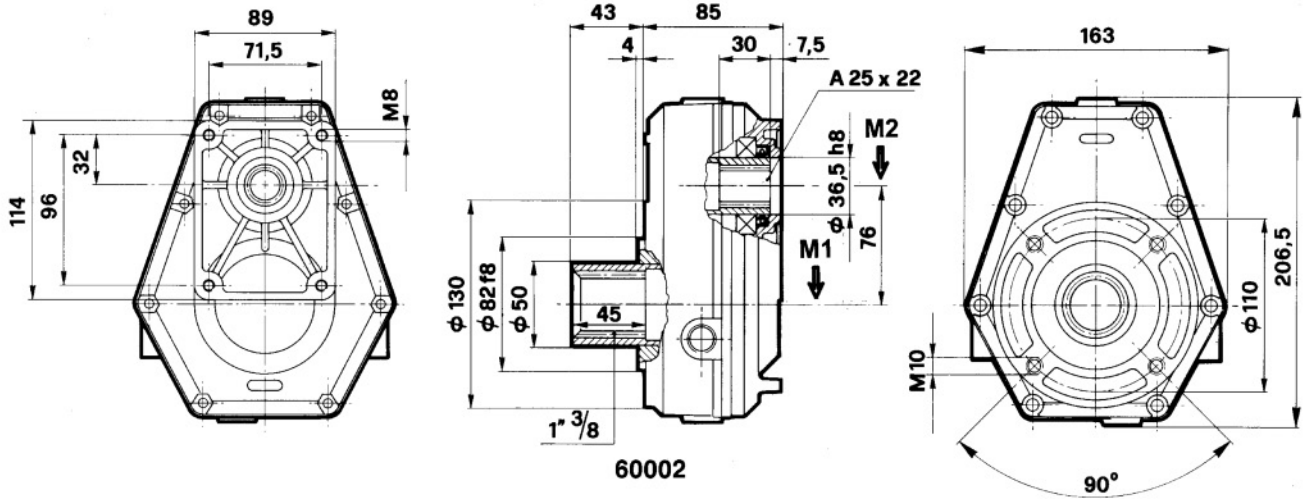
Please check the oil level via the special oil window every 50 hours. Working temperatures should not exceed 120 degrees celcius under continuous duty cycle.

Specify the correct pto gearbox

Please check with the Technical Sales Office if you are not sure which pto gearbox to use.



SERIES 60000 PTO GEARBOX PUMP GROUP 2 • 10KW



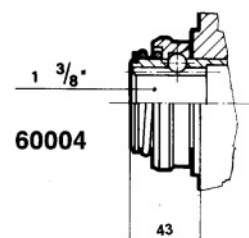
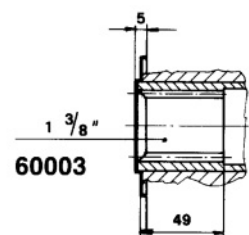
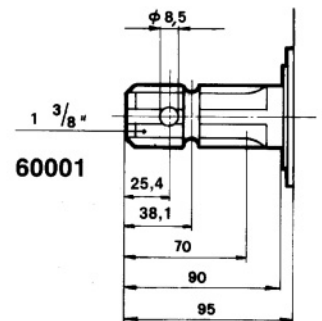
MAX OIL LEVEL 0.22 LITRE

M1 MAXIMUM CONTINUOUS TORQUE OF THE PTO GEARBOX (Input side daNm)	M2 MAXIMUM TORQUE OF THE PTO GEARBOX (Output side daNm)	N1 TRACTOR OUTPUT SPEED RPM	N2 FINAL OUTPUT SPEED OF PUMP/GEARBOX ASSEMBLY RPM	I RATIO OF SPEED INCREASE	KW MAX TRANSMITTABLE POWER	WEIGHT KG
17,8	11,9	540	810	1,5	10	5,5
15,2	7,6	540	1080	2	10	5,5
16,5	6,6	540	1350	2,5	10	5,5
18	5,5	540	1680	3	10	5,5
18,6	5,8	540	1836	3,5	10	5,5
15,9	4,2	540	2052	3,8	10	5,5

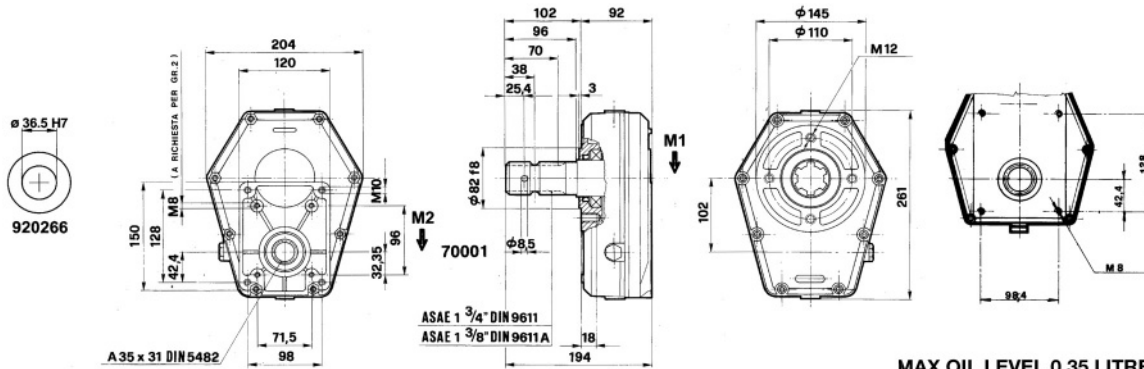
FACTORY PREFIX	PTO GEARBOX	RATIO AVAILABLE
33	60001	1,5
	60002	2
	60003	2,5
	60004	3
		3,5
		3,8

PART NO.	DESCRIPTION OF PTO GEARBOX	PRICE
33 - 60001-1	Pto Gearbox gr.2 male shaft R.1:1,5	£179.16
33 - 60001-2	Pto Gearbox gr.2 male shaft R.1:2	£191.29
33 - 60001-3	Pto Gearbox gr.2 male shaft R.1:2,5	£191.29
33 - 60001-4	Pto Gearbox gr.2 male shaft R.1:3	£191.29
33 - 60001-5	Pto Gearbox gr.2 male shaft R.1:3,5	£191.29
33 - 60001-6	Pto Gearbox gr.2 male shaft R.1:3,8	£191.29
33 - 60001-6/9S	Pto Gearbox gr.2 male shaft R.1:3,8 with pinion gear T9 SAE DP	£191.29
33 - 60001-6/0	Pto Gearbox gr.2 male shaft R.1:3,8 with oil level inverted	£169.02
33 - 60002-1	Pto Gearbox gr.2 female shaft long R.1:1,5	£191.29
33 - 60002-2	Pto Gearbox gr.2 female shaft long R.1:2	£191.29
33 - 60002-3	Pto Gearbox gr.2 female shaft long R.1:2,5	£169.02
33 - 60002-4	Pto Gearbox gr.2 female shaft long R.1:3	£169.02
33 - 60002-5	Pto Gearbox gr.2 female shaft long R.1:3,5	£169.02
33 - 60002-6	Pto Gearbox gr.2 female shaft long R.1:3,8	£169.02
33 - 60002-6/2L	Pto Gearbox gr.2 female shaft long R.1:3,8 with 2 oil level plugs	£169.02
33 - 60003-1	Pto Gearbox gr.2 female shaft short R.1:1,5	£191.29
33 - 60003-2	Pto Gearbox gr.2 female shaft short R.1:2	£191.29
33 - 60003-3	Pto Gearbox gr.2 female shaft short R.1:2,5	£169.02
33 - 60003-4	Pto Gearbox gr.2 female shaft short R.1:3	£169.02
33 - 60003-5	Pto Gearbox gr.2 female shaft short R.1:3,5	£169.02
33 - 60003-6	Pto Gearbox gr.2 female shaft short R.1:3,8	£169.02
33 - 60004-1	Pto Gearbox gr.2 female shaft quick-fitting R.1:1,5	£209.64
33 - 60004-2	Pto Gearbox gr.2 female shaft quick-fitting R.1:2	£220.11
33 - 60004-3	Pto Gearbox gr.2 female shaft quick-fitting R.1:2,5	£196.52
33 - 60004-4	Pto Gearbox gr.2 female shaft quick-fitting R.1:3	£196.52
33 - 60004-4/GC	Pto Gearbox gr.2 female shaft quick-fitting R.1:3 Remac type	£196.52
33 - 60004-5	Pto Gearbox gr.2 female shaft quick-fitting R.1:3,5	£196.52
33 - 60004-6	Pto Gearbox gr.2 female shaft quick-fitting R.1:3,8	£196.52
33 - 60004-6/1PL	Pto Gearbox gr.2 female shaft quick-fitting R.1:3,8 for 1PL pump	£196.52
33 - 60004-6/GC	Pto Gearbox gr.2 female shaft quick-fitting R.1:3,8 Remac type	£196.52

If the part number needed is not listed please ask the Flowfit Sales Team



SERIES 70000 PTO GEARBOX PUMP GROUP 3 • 20KW

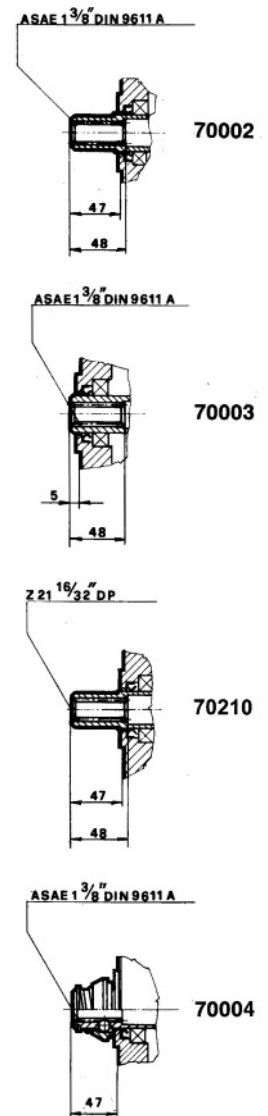


MAX OIL LEVEL 0.35 LITRE

M1 MAXIMUM CONTINUOUS TORQUE OF THE PTO GEARBOX (Input side daNm)	M2 MAXIMUM TORQUE OF THE PTO GEARBOX (Output side daNm)	N1 TRACTOR OUTPUT SPEED RPM	N2 FINAL OUTPUT SPEED OF PUMP/GEARBOX ASSEMBLY RPM	I RATIO OF SPEED INCREASE	KW MAX TRANSMITTABLE POWER	WEIGHT KG
31	31	540	540	1	20	8,1
38	26	540	810	1,5	20	8,1
43	21	540	1080	2	20	8,1
46	18	540	1408	2,5	20	8,1
49	16	540	1620	3	20	8,1
46	13	540	1836	3,5	20	8,1
43,7	11,5	540	2057	3,8	20	8,1

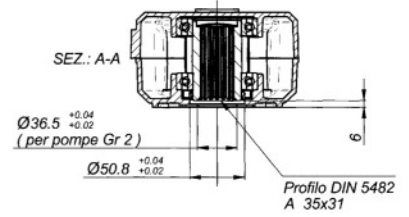
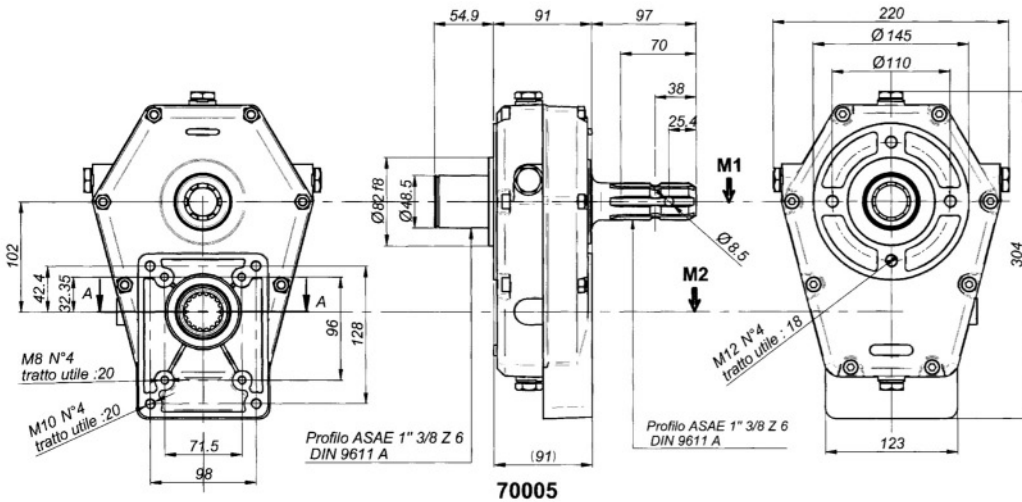
FACTORY PREFIX	PTO GEARBOX		RATIO AVAILABLE	
	34	70001	70002	1
	70002	70003	1,5	
	70003	70004	2	
	70004		2,5	
	70210		3	
			3,5	
			3,8	

PART NO.	DESCRIPTION OF PTO GEARBOX	PRICE
34 - 70001-1	Pto Gearbox gr.3 male shaft R.1:1,5	£281.70
34 - 70001-2	Pto Gearbox gr.3 male shaft R.1:2	£281.70
34 - 70001-2/21	Pto Gearbox gr.3 male shaft R.1:2 T21 16/32 DP.	£275.14
34 - 70001-2/8	Pto Gearbox gr.3 male shaft R.1:2 with male pinion 1'3/8"	£286.93
34 - 70001-3	Pto Gearbox gr.3 male shaft R.1:2,5	£229.28
34 - 70001-3/F8	Pto Gearbox gr.3 male shaft R.1:2,5 with female pinion gear 1'3/8"	£229.28
34 - 70001-4	Pto Gearbox gr.3 male shaft R.1:3	£229.28
34 - 70001-4/2	Pto Gearbox gr.3 male shaft R.1:3 for pump gr.2	£239.77
34 - 70001-5	Pto Gearbox gr.3 male shaft R.1:3,5	£229.28
34 - 70001-5/2	Pto Gearbox gr.3 male shaft R.1:3,5 for pump gr.2	£229.28
34 - 70001-5/25	Pto Gearbox gr.3 male shaft R.1:3,5 with female pinion gear dia.2	£281.68
34 - 70001-6	Pto Gearbox gr.3 male shaft R.1:3,8	£281.68
34 - 70001-6/2	Pto Gearbox gr.3 male shaft R.1:3,8 for pump gr.2	£239.77
34 - 70002-1	Pto Gearbox gr.3 female shaft long R.1:1,5	£281.68
34 - 70002-2	Pto Gearbox gr.3 female shaft long R.1:2 NR	£281.68
34 - 70002-3	Pto Gearbox gr.3 female shaft long R.1:2,5	£229.28
34 - 70002-3/2	Pto Gearbox gr.3 female shaft long R.1:2,5 for pump gr.2	£239.77
34 - 70002-4	Pto Gearbox gr.3 female shaft long R.1:3	£229.28
34 - 70002-4/2	Pto Gearbox gr.3 female shaft long R.1:3 for pump gr.2	£239.77
34 - 70002-4/35	Pto Gearbox gr.3 female through-shaft dia.35 R.1:3	£349.83
34 - 70002-5	Pto Gearbox gr.3 female shaft long R.1:3,5	£229.28
34 - 70002-5/2	Pto Gearbox gr.3 female shaft long R.1:3,5 for pump gr.2	£239.77
34 - 70002-6	Pto Gearbox gr.3 female shaft long R.1:3,8	£229.28
34 - 70002-6/2	Pto Gearbox gr.3 female shaft long R.1:3,8 for pump gr.2	£239.77
34 - 70003-1	Pto Gearbox gr.3 female shaft short R.1:1,5	£396.18
34 - 70003-2	Pto Gearbox gr.3 female shaft short R.1:2	£281.68
34 - 70003-3	Pto Gearbox gr.3 female shaft short R.1:2,5	£229.28
34 - 70003-4	Pto Gearbox gr.3 female shaft short R.1:3	£229.28
34 - 70003-5	Pto Gearbox gr.3 female shaft short R.1:3,5	£229.28
34 - 70003-6	Pto Gearbox gr.3 female shaft short R.1:3,8	£229.28
34 - 70004-1	Pto Gearbox gr.3 female shaft quick-fitting R.1:1,5	£307.90
34 - 70004-2	Pto Gearbox gr.3 female shaft quick-fitting R.1:2	£307.90
34 - 70004-3	Pto Gearbox gr.3 female shaft quick-fitting R.1:2,5	£259.42
34 - 70004-3/220S	Pto Gearbox gr.3 female shaft quick-fitting R.1:2,5 Z.20 1'3/4" fo PZ	£440.23
34 - 70004-4	Pto Gearbox gr.3 female shaft quick-fitting R.1:3	£259.42
34 - 70004-4/100	Pto Gearbox gr.3 female shaft quick-fitting R.1:3 L.100	£323.63
34 - 70004-4/2	Pto Gearbox gr.3 female shaft quick-fitting R.1:3 for pump gr.2	£268.59
34 - 70004-5	Pto Gearbox gr.3 female shaft quick-fitting R.1:3,5	£259.42
34 - 70004-5/2	Pto Gearbox gr.3 female shaft quick-fitting R.1:3,5 for pump gr.2	£268.59
34 - 70004-6	Pto Gearbox gr.3 female shaft quick-fitting R.1:3,8	£259.41
34 - 70004-6/2	Pto Gearbox gr.3 female shaft quick-fitting R.1:3,8 for pump gr.2	£268.59
34 - 70004-6/2PPL	Pto Gearbox gr.3 female shaft quick-fitting R.1:3,8 for 2PL pump	£259.42



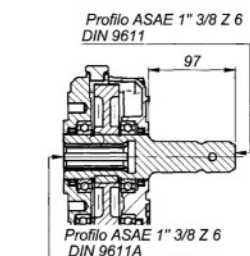
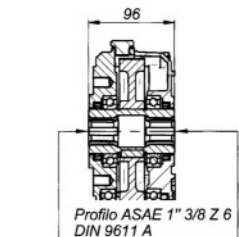
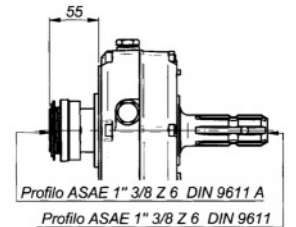
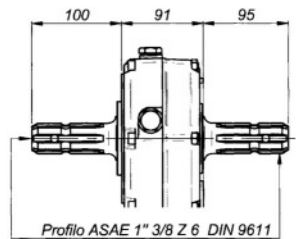
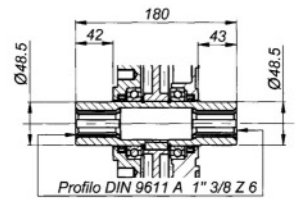
If the part number needed is not listed please ask the Flowfit Sales Team

SERIES 70000 PTO GEARBOX WITH THROUGH SHAFTS PUMP GROUP 3 • 20KW FLOWFIT



MAX OIL LEVEL 0.35 LITRE

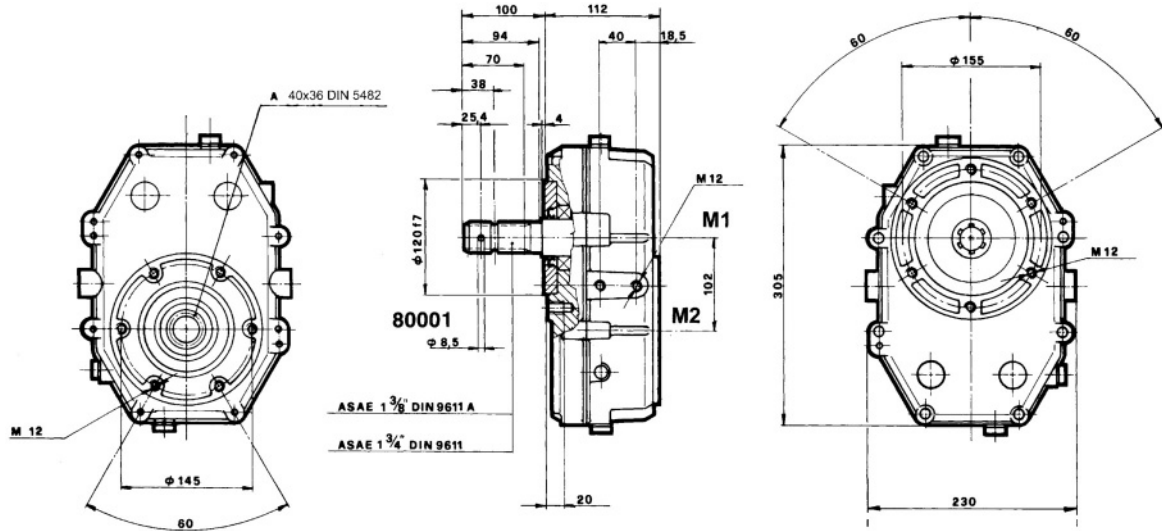
M1 MAXIMUM CONTINUOUS TORQUE OF THE PTO GEARBOX (Input side daNm)	M2 MAXIMUM TORQUE OF THE PTO GEARBOX (Output side daNm)	N1 TRACTOR OUTPUT SPEED RPM	N2 FINAL OUTPUT SPEED OF PUMP/GEARBOX ASSEMBLY RPM	I RATIO OF SPEED INCREASE	KW MAX TRANSMITTABLE POWER	WEIGHT KG
31	31	540	540	1	20	9,5
38	26	540	810	1,5	20	9,5
43	21	540	1080	2	20	9,5
46	18	540	1408	2,5	20	9,5
49	16	540	1620	3	20	9,5
46	13	540	1836	3,5	20	9,5
43,7	11,5	540	2057	3,8	20	9,5



FACTORY PREFIX	PTO GEARBOX	RATIO AVAILABLE
	34	70005 70006 70007 70008 70009 70011

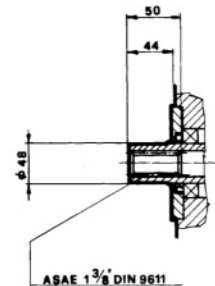
PART NO.	DESCRIPTION OF PTO GEARBOX	PRICE
34 - 70005-1	Pto Gearbox gr.3 male-female through-shaft R.1:1,5	£403.54
34 - 70005-2	Pto Gearbox gr.3 male-female through-shaft R.1:2	£403.54
34 - 70005-3	Pto Gearbox gr.3 male-female through-shaft R.1:2,5	£352.45
34 - 70005-4	Pto Gearbox gr.3 male-female through-shaft R.1:3	£352.45
34 - 70005-5	Pto Gearbox gr.3 male-female through-shaft R.1:3,5	£352.45
34 - 70005-6	Pto Gearbox gr.3 male-female through-shaft R.1:3,8	£352.45
34 - 70006-1	Pto Gearbox gr.3 female-female through-shaft R.1:1,5	£403.54
34 - 70006-2	Pto Gearbox gr.3 female-female through-shaft R.1:2	£403.54
34 - 70006-3	Pto Gearbox gr.3 female-female through-shaft R.1:2,5	£352.45
34 - 70006-4	Pto Gearbox gr.3 female-female through-shaft R.1:3	£352.45
34 - 70006-5	Pto Gearbox gr.3 female-female through-shaft R.1:3,5	£352.45
34 - 70006-6	Pto Gearbox gr.3 female-female through-shaft R.1:3,8	£352.45
34 - 70007-1	Pto Gearbox gr.3 male-male through-shaft R.1:1,5	£403.54
34 - 70007-2	Pto Gearbox gr.3 male-male through-shaft R.1:2	£403.54
34 - 70007-3	Pto Gearbox gr.3 male-male through-shaft R.1:2,5	£352.45
34 - 70007-4	Pto Gearbox gr.3 male-male through-shaft R.1:3	£352.45
34 - 70007-5	Pto Gearbox gr.3 male-male through-shaft R.1:3,5	£352.45
34 - 70007-6	Pto Gearbox gr.3 male-male through-shaft R.1:3,8	£352.45
34 - 70008-3	Pto Gearbox gr.3 male-female shaft quick-fitting R.1:2,5 Flange 2	£400.92
34 - 70008-4	Pto Gearbox gr.3 male-female shaft quick-fitting R.1:3 Flange 2/3	£400.92
34 - 70008-5	Pto Gearbox gr.3 male-female shaft quick-fitting R.1:3,5 Flange 2	£400.92
34 - 70008-6	Pto Gearbox gr.3 male-female shaft quick-fitting R.1:3,8 Flange 2	£400.92
34 - 70009-4	Pto Gearbox gr.3 female through-shaft 1'3/8" (par) R.1:3 Flange	£352.45
34 - 70009-5	Pto Gearbox gr.3 female through-shaft 1'3/8" (par) R.1:3,5 Flange	£352.45
34 - 70009-6	Pto Gearbox gr.3 female through-shaft 1'3/8" (par) R.1:3,8 Flange	£352.45
34 - 70011-2	Pto Gearbox gr.3 male-female shaft par R.1:2	£403.54
34 - 70011-4	Pto Gearbox gr.3 male-female shaft par R.1:3	£352.45
34 - 70011-5	Pto Gearbox gr.3 male-female shaft par R.1:3,5	£352.45
34 - 70011-6	Pto Gearbox gr.3 male-female shaft par R.1:3,8	£352.45

If the part number needed is not listed please ask the Flowfit Sales Team

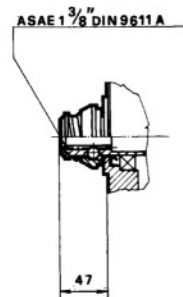


MAX OIL LEVEL 1 LITRE

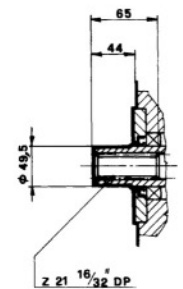
M1 MAXIMUM CONTINUOUS TORQUE OF THE PTO GEARBOX (Input side daNm)	M2 MAXIMUM TORQUE OF THE PTO GEARBOX (Output side daNm)	N1 TRACTOR OUTPUT SPEED RPM	N2 FINAL OUTPUT SPEED OF PUMP/GEARBOX ASSEMBLY RPM	I RATIO OF SPEED INCREASE	KW MAX TRANSMITTABLE POWER	WEIGHT KG
46,6	46,6	540	540	1	36	13,5
48	32	540	810	1,5	36	13,5
48,4	24,2	540	1080	2	36	13,5
46,8	18	540	1408	2,5	36	13,5
48,9	16,3	540	1620	3	36	13,5
45,9	13,5	540	1836	3,5	36	13,5
47,5	12	540	2052	3,8	36	13,5
47,2	11,8	540	2160	4	36	13,5
47	9,8	540	2592	4,8	36	13,5



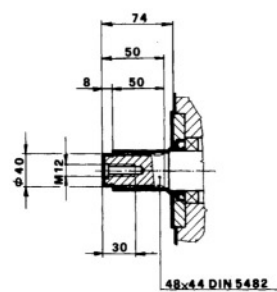
80002



80003



80004

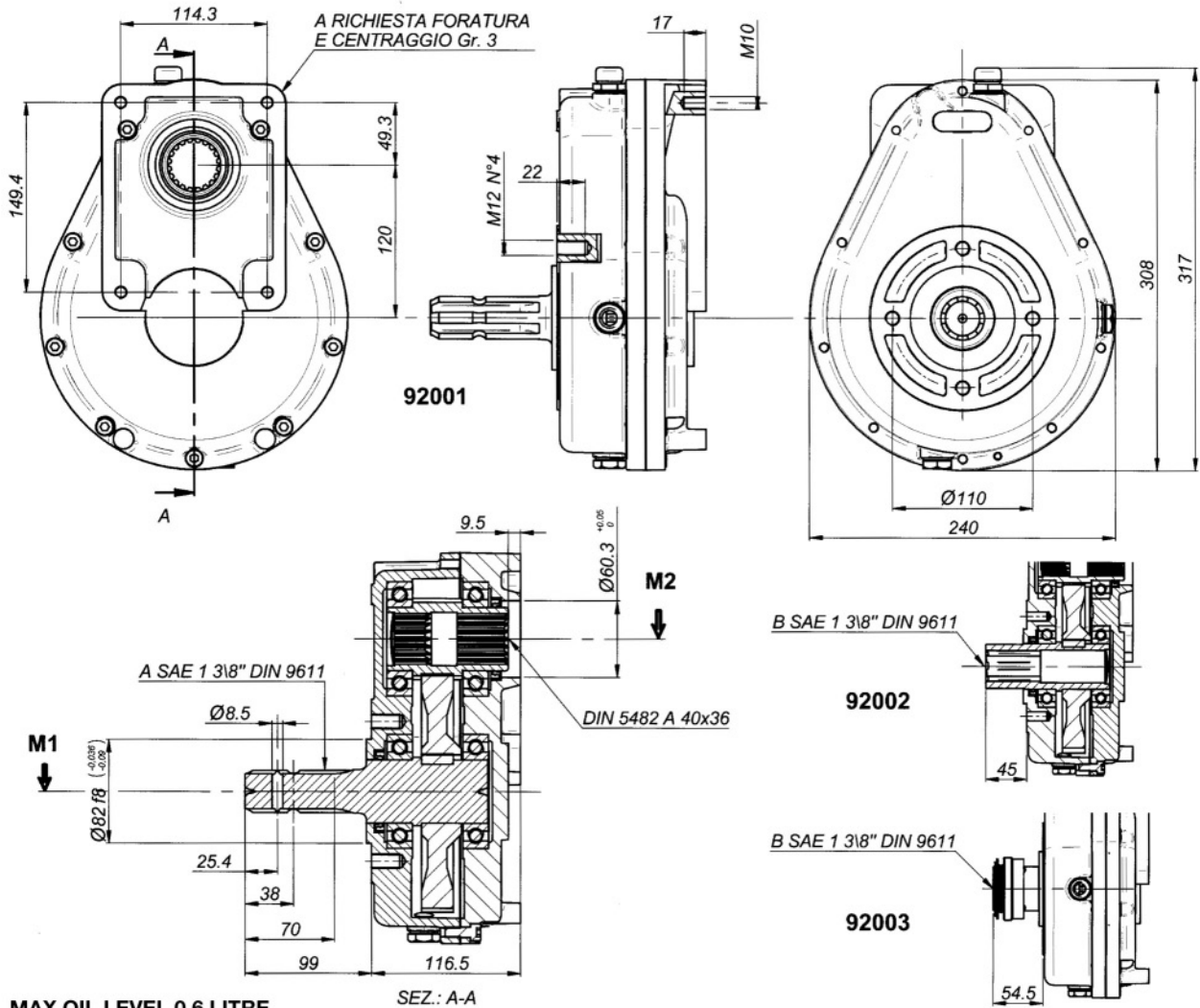


80005

FACTORY PREFIX	PTO GEARBOX		RATIO AVAILABLE	
	35	80001	1	1,5
	80002	2	2,5	
	80003	3	3,5	
	80004	3,8	4	
	80005	4,8		

PART NO.	DESCRIPTION OF PTO GEARBOX	PRICE
35 - 80001-1	Pto Gearbox gr.3,5 male shaft R.1:1 without Flange	£538.40
35 - 80001-2	Pto Gearbox gr.3,5 male shaft R.1:1,5 without Flange	£538.40
35 - 80001-3	Pto Gearbox gr.3,5 male shaft R.1:2 without Flange	£538.40
35 - 80001-4	Pto Gearbox gr.3,5 male shaft R.1:2,5 without Flange	£494.52
35 - 80001-5	Pto Gearbox gr.3,5 male shaft R.1:3 without Flange	£494.51
35 - 80001-6	Pto Gearbox gr.3,5 male shaft R.1:3,5 without Flange	£556.84
35 - 80001-7	Pto Gearbox gr.3,5 male shaft R.1:3,8 without Flange	£556.84
35 - 80001-8	Pto Gearbox gr.3,5 male shaft R.1:4 without Flange	£576.50
35 - 80001-9	Pto Gearbox gr.3,5 male shaft R.1:4,8 without Flange	£576.50
35 - 80002-1	Pto Gearbox gr.3,5 female shaft long R.1:1 without flange	£538.49
35 - 80002-2	Pto Gearbox gr.3,5 female shaft long R.1:1,5 without flange	£538.49
35 - 80002-3	Pto Gearbox gr.3,5 female shaft long R.1:2 without flange cglionPr	£538.49
35 - 80002-4	Pto Gearbox gr.3,5 female shaft long R.1:2,5 without flange	£493.95
35 - 80002-5	Pto Gearbox gr.3,5 female shaft long R.1:3 without flange	£493.95
35 - 80002-6	Pto Gearbox gr.3,5 female shaft long R.1:3,5 without flange	£556.84
35 - 80002-7	Pto Gearbox gr.3,5 female shaft long R.1:3,8 without flange	£556.83
35 - 80002-8	Pto Gearbox gr.3,5 female shaft long R.1:4 without flange	£576.50
35 - 80002-9	Pto Gearbox gr.3,5 female shaft long R.1:4,8 without flange	£576.50
35 - 80003-1	Pto Gearbox gr.3 female shaft quick-fitting R.1:1 without Flange	£568.64
35 - 80003-2	Pto Gearbox gr.3 female shaft quick-fitting R.1:1,5 without Flange	£568.64
35 - 80003-3	Pto Gearbox gr.3 female shaft quick-fitting R.1:2 without Flange	£568.64
35 - 80003-4	Pto Gearbox gr.3 female shaft quick-fitting R.1:2,5 without Flange	£568.64
35 - 80003-5	Pto Gearbox gr.3 female shaft quick-fitting R.1:3 without Flange	£568.64
35 - 80003-6	Pto Gearbox gr.3 female shaft quick-fitting R.1:3,5 without Flange	£588.29
35 - 80003-7	Pto Gearbox gr.3 female shaft quick-fitting R.1:3,8 without Flange	£588.29
35 - 80003-8	Pto Gearbox gr.3 female shaft quick-fitting R.1:4 without Flange	£606.63
35 - 80003-9	Pto Gearbox gr.3 female shaft quick-fitting R.1:4,8 without Flange	£606.63

If the part number needed is not listed please ask the Flowfit Sales Team



MAX OIL LEVEL 0.6 LITRE

SEZ.: A-A

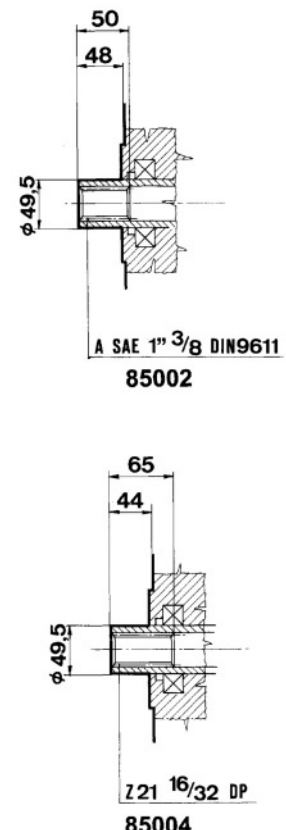
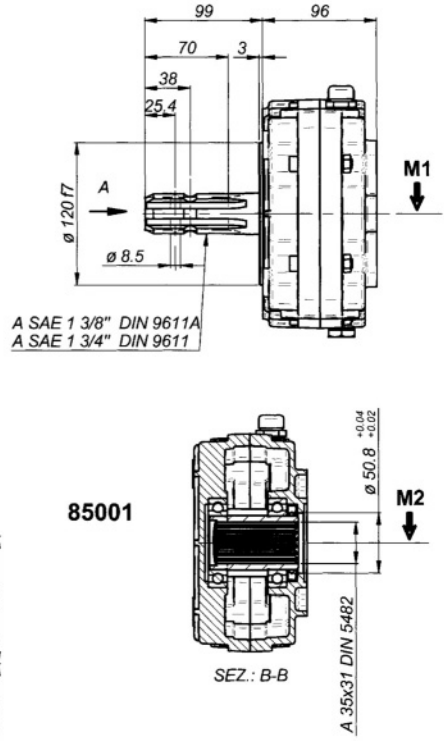
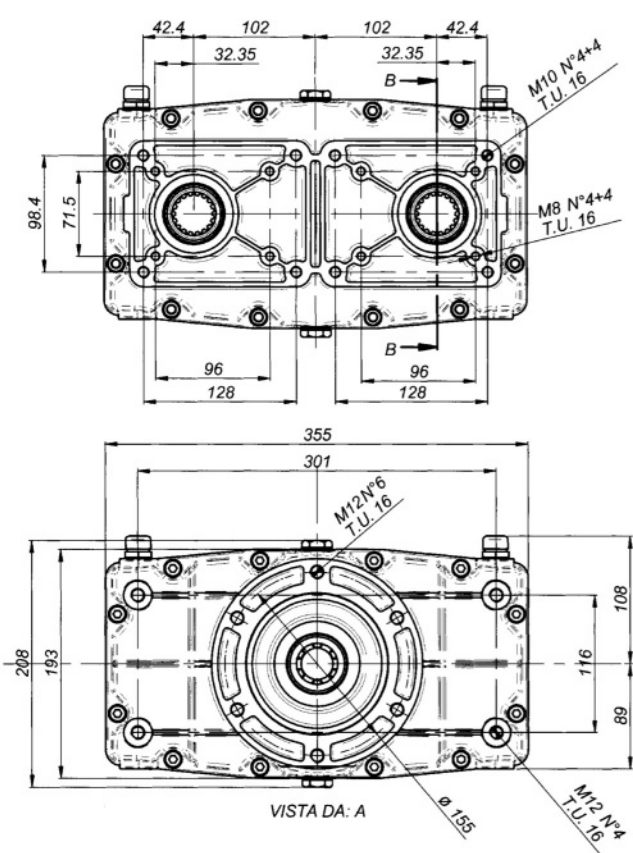
M1 MAXIMUM CONTINUOUS TORQUE OF THE PTO GEARBOX (Input side daNm)	M2 MAXIMUM TORQUE OF THE PTO GEARBOX (Output side daNm)	N1 TRACTOR OUTPUT SPEED RPM	N2 FINAL OUTPUT SPEED OF PUMP/GEARBOX ASSEMBLY RPM	I RATIO OF SPEED INCREASE	KW MAX TRANSMITTABLE POWER	WEIGHT KG
80	40	2500	1250	2	40	16
88	35	2500	1000	2.5	40	16
99	32	2500	806	3.1	40	16
105	28	2500	675	3.7	40	16
110	27	2500	610	4.1	40	16

FACTORY PREFIX	PTO GEARBOX	RATIO AVAILABLE
82	92001	2
	92002	2,5
	92003	3,1
		3,7
		4,1

PART NO.	DESCRIPTION OF PTO GEARBOX	PRICE
82 - 92001-2	Pto Gearbox MLT3,5 Remac male shaft R.1:2,5	£779.58
82 - 92001-3	Pto Gearbox MLT3,5 Remac male shaft R.1:3	£779.58
82 - 92001-3/3	Pto Gearbox MLT3,5 Remac male shaft R.1:3 for pump gr.3	£873.92
82 - 92001-5	Pto Gearbox MLT3,5 Remac male shaft R.1:3,7	£779.58
82 - 92001-5/3	Pto Gearbox MLT3,5 Remac male shaft R.1:3,7 for GR.3	£873.92
82 - 92002-3	Pto Gearbox MLT3,5 Remac female shaft long R.1:3	£621.04
82 - 92002-3/3	Pto Gearbox MLT3,5 Remac female shaft long R.1:3 for pump gr	£873.92
82 - 92002-5	Pto Gearbox MLT3,5 Remac female shaft long R.1:3,7	£779.58
82 - 92002-5/3	Pto Gearbox MLT3,5 Remac female shaft long R.1:3,7 for pump	£873.92
82 - 92003-3	Pto Gearbox MLT3,5 Remac female shaft quick-fitting R.1:3	£811.02
82 - 92003-3/3	Pto Gearbox MLT3,5 Remac female shaft quick-fitting R.1:3	£905.36

If the part number needed is not listed please ask the Flowfit Sales Team

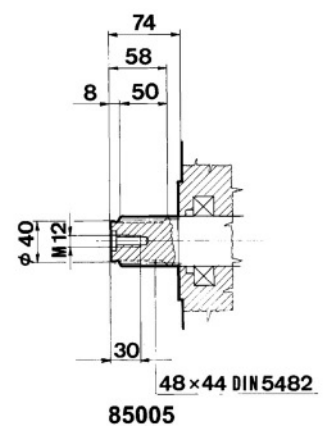
SERIES 85000 PTO GEARBOX DUAL PUMP GROUP 2 AND/OR GROUP 3 • 35KW FLOWFIT



MAX OIL LEVEL 1.3 LITRE

M1 MAXIMUM CONTINUOUS TORQUE OF THE PTO GEARBOX (Input side daNm)	M2 MAXIMUM TORQUE OF THE PTO GEARBOX (Output side daNm)	N1 TRACTOR OUTPUT SPEED RPM	N2 FINAL OUTPUT SPEED OF PUMP/GEARBOX ASSEMBLY RPM	I RATIO OF SPEED INCREASE	KW MAX TRANSMITTABLE POWER	WEIGHT KG
63,4	31,7	540	540	1	35	14
76,8	25,6	540	810	1,5	35	14
86,8	23,7	540	1080	2	35	14
92,5	17,8	540	1408	2,5	35	14
96,6	16,1	540	1620	3	35	14
90,4	13,3	540	1836	3,5	35	14
87,4	16,6	540	2057	3,8	35	14

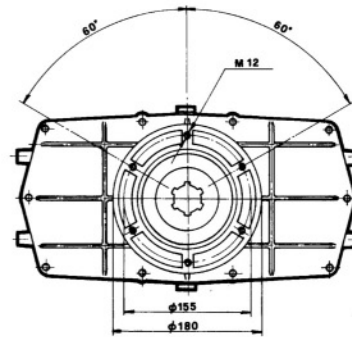
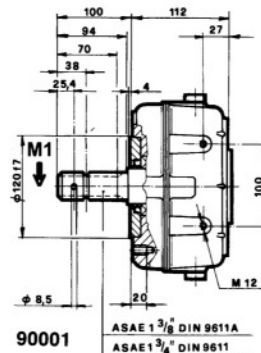
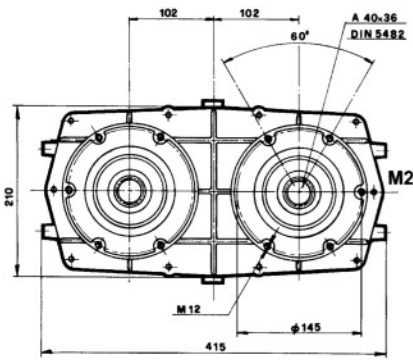
FACTORY PREFIX	PTO GEARBOX		RATIO AVAILABLE	
	36	85001	1	1,5
	85002	2	2,5	
	85003	3	3,5	
	85004	3,8		
	85005			



PART NO.	DESCRIPTION OF PTO GEARBOX	PRICE
36 - 85001-1	Pto Gearbox Coupling gear gr.3/2 male shaft R.1:1	£550.30
36 - 85001-2	Pto Gearbox Coupling gear gr.3/2 male shaft R.1:1,5	£550.30
36 - 85001-3	Pto Gearbox Coupling gear gr.3/2 male shaft R.1:2	£550.30
36 - 85001-4	Pto Gearbox Coupling gear gr.3/2 male shaft R.1:2,5	£500.11
36 - 85001-5	Pto Gearbox Coupling gear gr.3/2 male shaft R.1:3	£500.11
36 - 85001-6	Pto Gearbox Coupling gear gr.3/2 male shaft R.1:3,5	£500.11
36 - 85001-7	Pto Gearbox Coupling gear gr.3/2 male shaft R.1:3,8	£500.11
36 - 85002-1	Pto Gearbox Coupling gear gr.3/2 female shaft long R.1:1	£550.30
36 - 85002-2	Pto Gearbox Coupling gear gr.3/2 female shaft long R.1:1,5	£550.30
36 - 85002-3	Pto Gearbox Coupling gear gr.3/2 female shaft long R.1:2	£550.30
36 - 85002-4	Pto Gearbox Coupling gear gr.3/2 female shaft long R.1:2,5	£500.11
36 - 85002-5	Pto Gearbox Coupling gear gr.3/2 female shaft long R.1:3	£500.11
36 - 85002-6	Pto Gearbox Coupling gear gr.3/2 female shaft long R.1:3,5	£500.11
36 - 85002-7	Pto Gearbox Coupling gear gr.3/2 female shaft long R.1:3,8	£500.11
36 - 85003-1	Pto Gearbox Coupling gear gr.3/2 female shaft quick-fitting R.1:1	£579.11
36 - 85003-2	Pto Gearbox Coupling gear gr.3/2 female shaft quick-fitting R.1:1,5	£579.11
36 - 85003-3	Pto Gearbox Coupling gear gr.3/2 female shaft quick-fitting R.1:2	£579.11
36 - 85003-4	Pto Gearbox Coupling gear gr.3/2 female shaft quick-fitting R.1:2,5	£528.02
36 - 85003-5	Pto Gearbox Coupling gear gr.3/2 female shaft quick-fitting R.1:3	£528.02
36 - 85003-6	Pto Gearbox Coupling gear gr.3/2 female shaft quick-fitting R.1:3,5	£528.02
36 - 85003-7	Pto Gearbox Coupling gear gr.3/2 female shaft quick-fitting R.1:3,8	£528.02

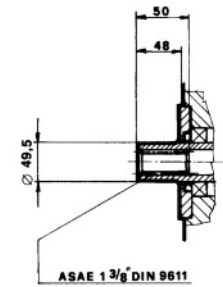
If the part number needed is not listed please ask the Flowfit Sales Team

SERIES 90000 PTO GEARBOX DUAL PUMP GROUP 3 AND/OR GROUP 3.5 • 45KW FLOWFIT

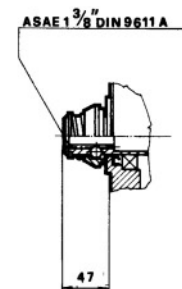


MAX OIL LEVEL 1.8 LITRE

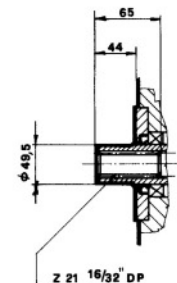
M1 MAXIMUM CONTINUOUS TORQUE OF THE PTO GEARBOX (Input side daNm)	M2 MAXIMUM TORQUE OF THE PTO GEARBOX (Output side daNm)	N1 TRACTOR OUTPUT SPEED RPM	N2 FINAL OUTPUT SPEED OF PUMP/GEARBOX ASSEMBLY RPM	I RATIO OF SPEED INCREASE	KW MAX TRANSMITTABLE POWER	WEIGHT KG
93,4	46,6	540	540	1	45	18
96	32	540	810	1,5	45	18
96,8	24,2	540	1080	2	45	18
93,6	18	540	1408	2,5	45	18
97,8	16,3	540	1620	3	42	18
91,8	13,1	540	1836	3,5	45	18
95	12	540	2052	3,8	45	18
94,40	11,8	540	2160	4	45	18
94	9,8	540	2592	4,8	45	18



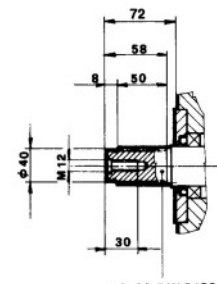
90002



90003



90004



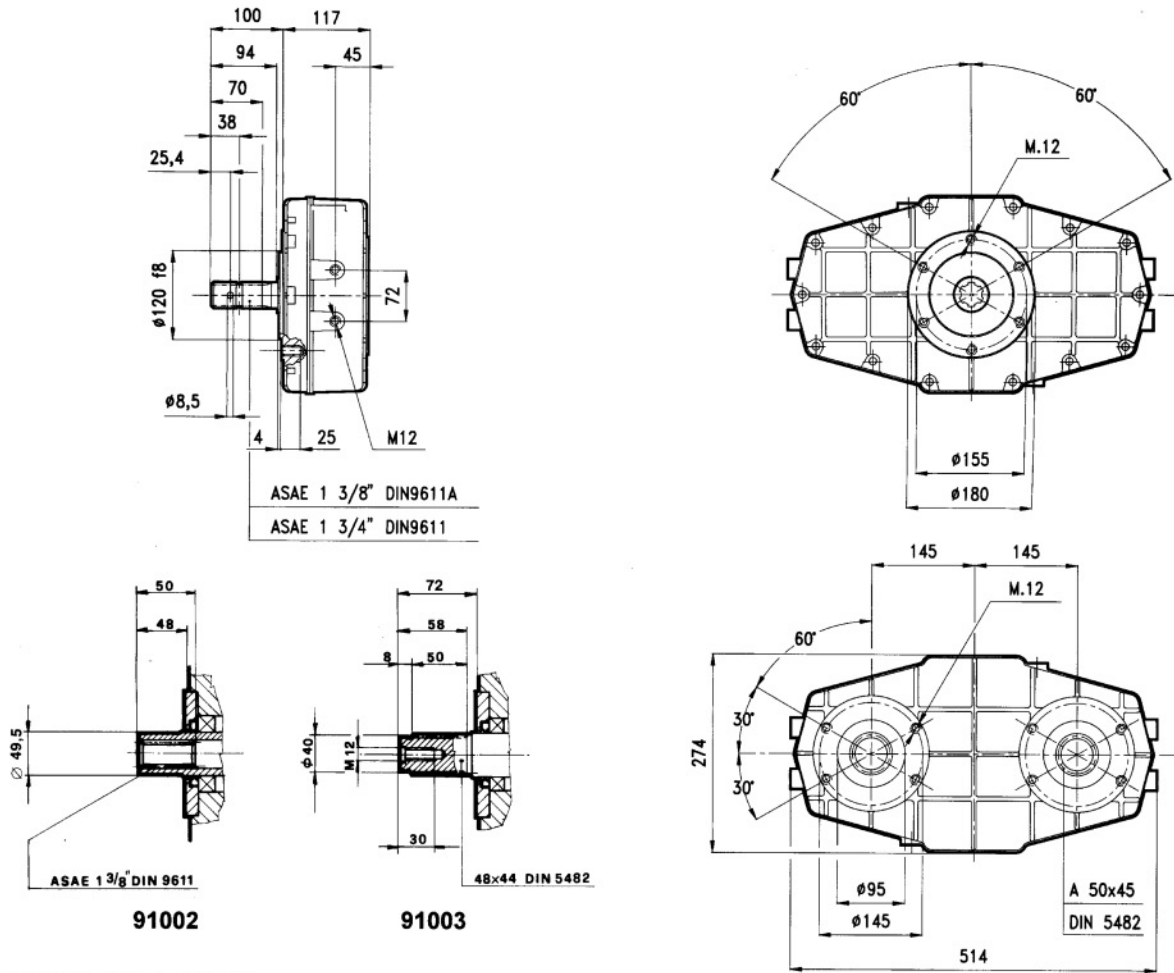
90005

FACTORY PREFIX	PTO GEARBOX	RATIO AVAILABLE
37	90001	1
	90002	1,5
	90003	2
	90004	2,5
	90005	3
		3,5
		3,8
		4
		4,8

PART NO.	DESCRIPTION OF PTO GEARBOX	PRICE
37 - 90001-1	Pto Gearbox gear gr.3/3,5 male shaft R.1:1 without Flange	£852.95
37 - 90001-2	Pto Gearbox gear gr.3/3,5 male shaft R.1:1,5 without Flange	£852.95
37 - 90001-3	Pto Gearbox gear gr.3/3,5 male shaft R.1:2 without Flange	£852.95
37 - 90001-4	Pto Gearbox gear gr.3/3,5 male shaft R.1:2,5 without Flange	£803.16
37 - 90001-5	Pto Gearbox gear gr.3/3,5 male shaft R.1:3 without Flange	£803.16
37 - 90001-6	Pto Gearbox gear gr.3/3,5 male shaft R.1:3,5 without Flange	£864.75
37 - 90001-7	Pto Gearbox gear gr.3/3,5 male shaft R.1:3,8 without Flange	£864.75
37 - 90001-8	Pto Gearbox gear gr.3/3,5 male shaft R.1:4 without Flange	£884.39
37 - 90001-8/SKF	Pto Gearbox gear gr.3/3,5 male shaft R.1:4 without Flange with be PZ	£884.39
37 - 90001-9	Pto Gearbox gear gr.3/3,5 male shaft R.1:4,8 without Flange	£884.39
37 - 90002-1	Pto Gearbox gear gr.3/3,5 female shaft long R.1:1 without Flange	£852.94
37 - 90002-2	Pto Gearbox gear gr.3/3,5 female shaft long R.1:1,5 without Flange	£852.94
37 - 90002-3	Pto Gearbox gear gr.3/3,5 female shaft long R.1:2 without Flange	£852.94
37 - 90002-4	Pto Gearbox gear gr.3/3,5 female shaft long R.1:2,5 without Flangeli	£803.16
37 - 90002-5	Pto Gearbox gear gr.3/3,5 female shaft long R.1:3 without Flange	£803.16
37 - 90002-6	Pto Gearbox gear gr.3/3,5 female shaft long R.1:3,5 without Flange	£864.75
37 - 90002-7	Pto Gearbox gear gr.3/3,5 female shaft long R.1:3,8 without Flange	£864.75
37 - 90002-8	Pto Gearbox gear gr.3/3,5 female shaft long R.1:4 without Flange	£884.39
37 - 90002-9	Pto Gearbox gear gr.3/3,5 female shaft long R.1:4,8 without Flange	£907.29
37 - 90003-1	Pto Gearbox gear gr.3/3,5 female shaft quick-fitting R.1:1 without flange	£881.77
37 - 90003-2	Pto Gearbox gear gr.3/3,5 female shaft quick-fitting R.1:1,5 without flange	£881.77
37 - 90003-3	Pto Gearbox gear gr.3/3,5 female shaft quick-fitting R.1:2 without flange	£881.77
37 - 90003-4	Pto Gearbox gear gr.3/3,5 female shaft quick-fitting R.1:2,5 without flange	£881.77
37 - 90003-5	Pto Gearbox gear gr.3/3,5 female shaft quick-fitting R.1:3 without flange	£825.43
37 - 90003-6	Pto Gearbox gear gr.3/3,5 female shaft quick-fitting R.1:3,5 without flange	£825.43
37 - 90003-7	Pto Gearbox gear gr.3/3,5 female shaft quick-fitting R.1:3,8 without flange	£893.56
37 - 90003-8	Pto Gearbox gear gr.3/3,5 female shaft quick-fitting R.1:4 without flange	£911.92
37 - 90003-9	Pto Gearbox gear gr.3/3,5 female shaft quick-fitting R.1:4,8 without flange	£911.92
37 - 90005-1	Pto Gearbox gear gr.3/3,5 male shaft T23 R.1:1 without Flange	£911.92
37 - 90005-2	Pto Gearbox gear gr.3/3,5 male shaft T23 R.1:1,5 without Flange	£911.92
37 - 90005-3	Pto Gearbox gear gr.3/3,5 male shaft T23 R.1:2 without Flange	£911.92
37 - 90005-4	Pto Gearbox gear gr.3/3,5 male shaft T23 R.1:2,5 without Flange	£911.92
37 - 90005-5	Pto Gearbox gear gr.3/3,5 male shaft T23 R.1:3 without Flange	£911.92
37 - 90005-6	Pto Gearbox gear gr.3/3,5 male shaft T23 R.1:3,5 without Flange	£911.92
37 - 90005-7	Pto Gearbox gear gr.3/3,5 male shaft T23 R.1:3,8 without Flange	£931.56
37 - 90005-8	Pto Gearbox gear gr.3/3,5 male shaft T23 R.1:4 without Flange	£943.36
37 - 90005-9	Pto Gearbox gear gr.3/3,5 male shaft T23 R.1:4,8 without Flange	£943.36

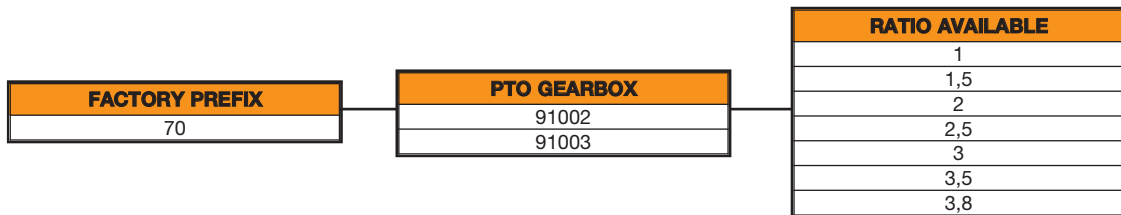
If the part number needed is not listed please ask the Flowfit Sales Team

SERIES 91000 PTO GEARBOX DUAL PUMP GROUP 4 • 74KW **FLOWFIT**



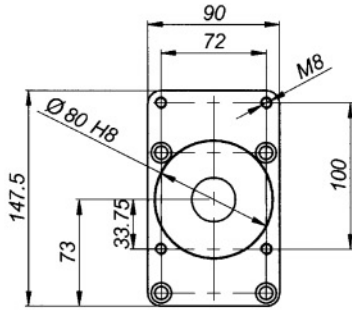
MAX OIL LEVEL 2 LITRE

M1 MAXIMUM CONTINUOUS TORQUE OF THE PTO GEARBOX (Input side daNm)	M2 MAXIMUM TORQUE OF THE PTO GEARBOX (Output side daNm)	N1 TRACTOR OUTPUT SPEED RPM	N2 FINAL OUTPUT SPEED OF PUMP/GEARBOX ASSEMBLY RPM	I RATIO OF SPEED INCREASE	KW MAX TRANSMITTABLE POWER	WEIGHT KG
132	66	540	540	1	74	20
158	52	540	810	1.5	74	20
163	39	540	1080	2	74	20
174	31	540	1350	2.5	74	20
177	27	540	1620	3	74	20
170	23	540	1836	3.5	74	20
158	20	540	2030	3.8	74	20

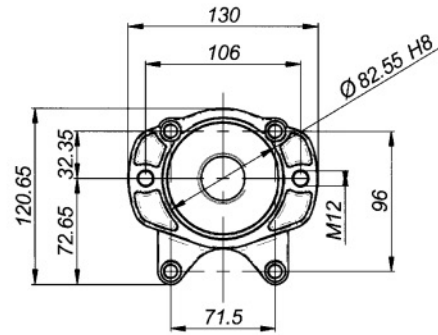


PART NO.	DESCRIPTION OF PTO GEARBOX	PRICE
70 - 91002-1	Pto Gearbox gear gr.4 female shaft long R.1:1	£1,598.47
70 - 91002-2	Pto Gearbox gear gr.4 female shaft long R.1:1,5	£1,598.47
70 - 91002-3	Pto Gearbox gear gr.4 female shaft long R.1:2	£1,598.47
70 - 91002-4	Pto Gearbox gear gr.4 female shaft long R.1:2,5	£1,598.47
70 - 91002-5	Pto Gearbox gear gr.4 female shaft long R.1:3	£1,598.47
70 - 91002-6	Pto Gearbox gear gr.4 female shaft long R.1:3,5	£1,598.47
70 - 91002-7	Pto Gearbox gear gr.4 female shaft long R.1:3,8	£1,598.47
70 - 91003-1	Pto Gearbox gear gr.4 male shaft T23 R.1:1 without Flange	£1,598.47
70 - 91003-2	Pto Gearbox gear gr.4 male shaft T23 R.1:1,5 without Flange	£1,598.47
70 - 91003-3	Pto Gearbox gear gr.4 male shaft T23 R.1:2 without Flange	£1,598.47
70 - 91003-4	Pto Gearbox gear gr.4 male shaft T23 R.1:2,5 without Flange	£1,598.47
70 - 91003-5	Pto Gearbox gear gr.4 male shaft T23 R.1:3 without Flange	£1,598.47
70 - 91003-6	Pto Gearbox gear gr.4 male shaft T23 R.1:3,5 without Flange	£1,598.47
70 - 91003-7	Pto Gearbox gear gr.4 male shaft T23 R.1:3,8 without Flange	£1,598.47

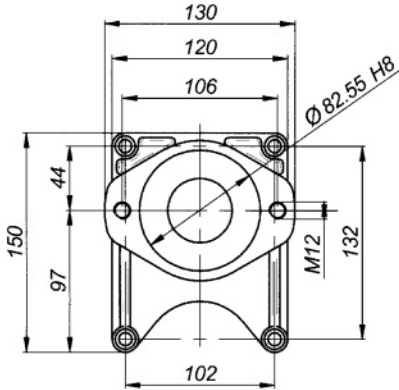
If the part number needed is not listed please ask the Flowfit Sales Team



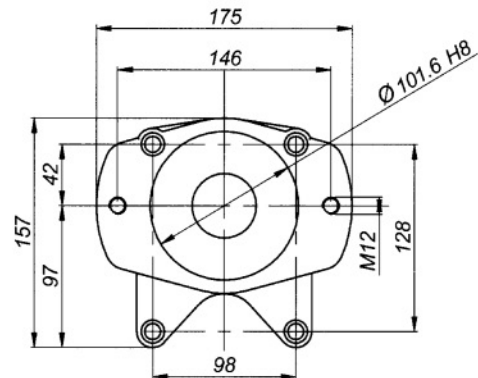
50100



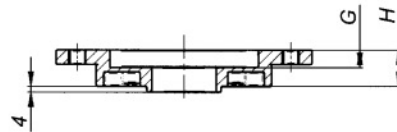
60100



96100



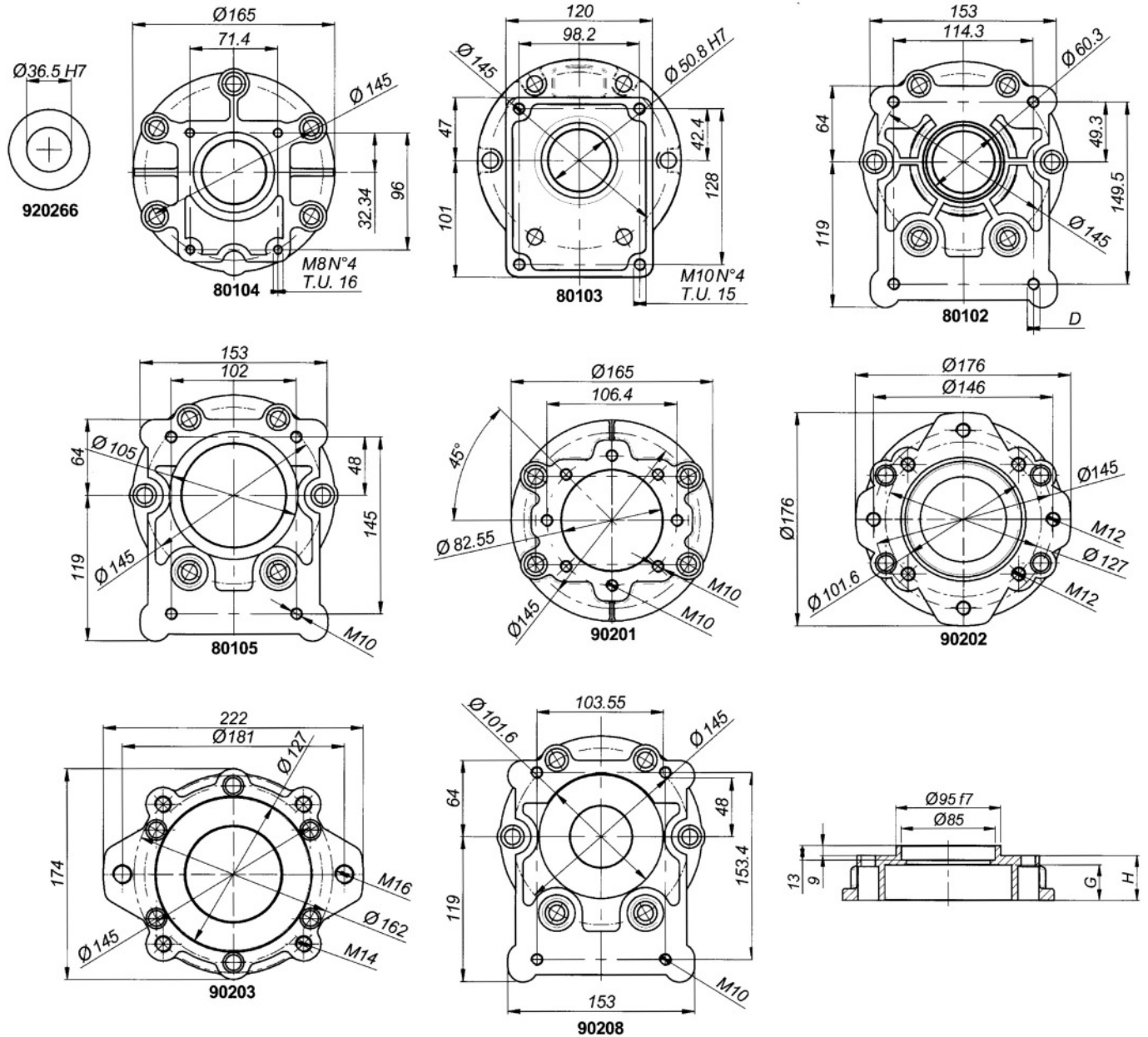
96101



	FLANGE TYPES			
	Gr.2 BOSCH	SAE A Gr.2	SAE A Gr.3	SAE B Gr.3
Code	50100	60100	96100	96101
G	8	12	10	12
H	13	32	16	24

PART NO.	DESCRIPTION OF PTO GEARBOX	PRICE
60 - 60100	Flange Type SAE A PZ	£49.79
41 - 96100	Flange Type SAE A MP.3 CRT3+socket capscrews	£70.74
41 - 96101	Flange Type SAE B MP.3 CRT3+socket capscrews	£90.41

If the part number needed is not listed please ask the Flowfit Sales Team

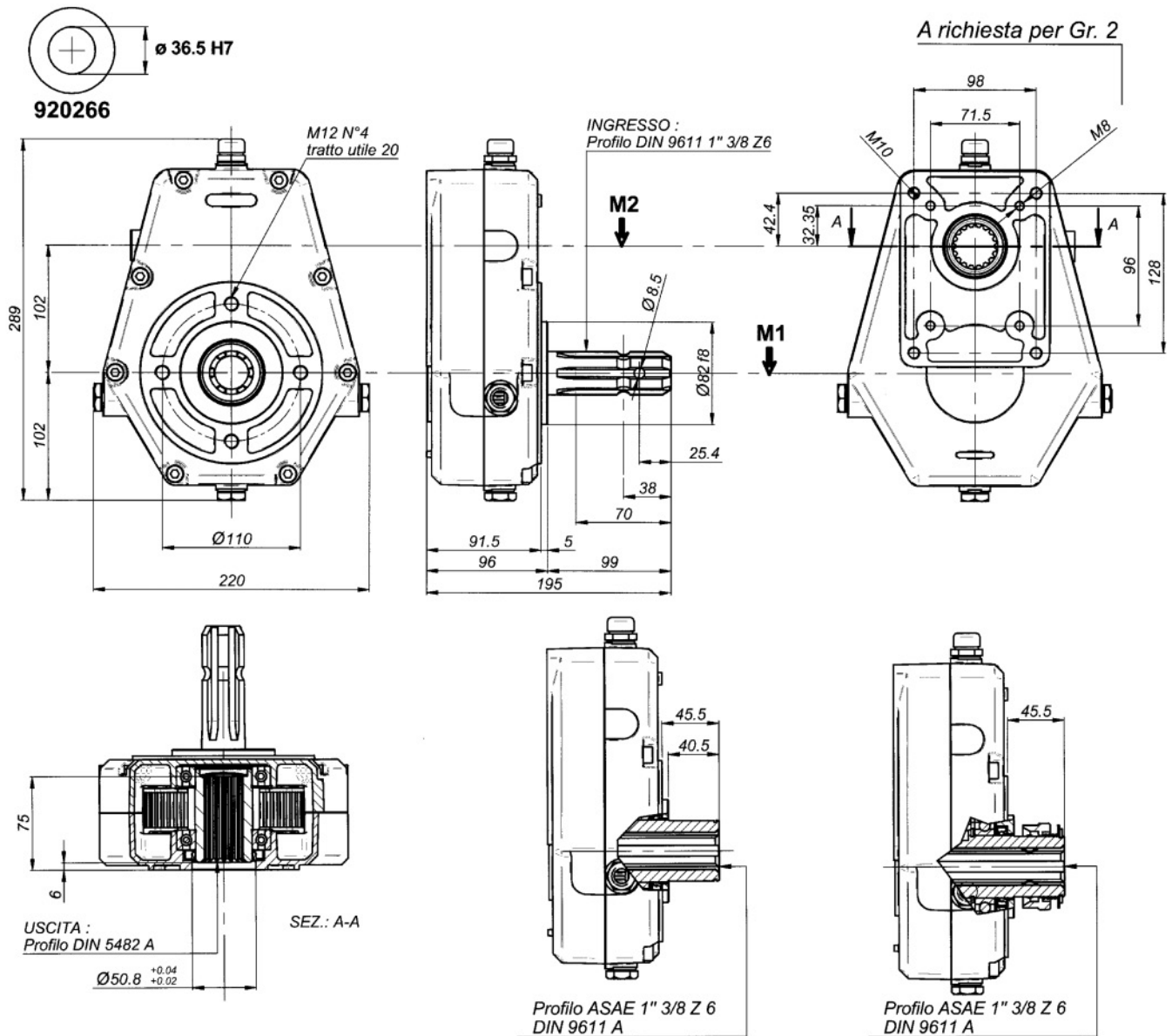


Code.	FLANGE TYPES											
	Gr.2	Gr.3	Gr.3.5	Gr.4	Gr.3 Bosch	SAE A	SAE B	SAE C	L.G. 20-35	L.G.50	L.G.75	ULTRA SPL.DOWTY
	80104	80103	80102	80108	80105	90201	90202	90203	90205	90207	90209	90208
G	21	22	24,5	36	12	25	12	15	20,5	33	57	10
H	21	22	24,5	36	24	25	25	28	26,5	43	72	24

PART NO.	DESCRIPTION OF PTO GEARBOX FLANGE ONLY	PRICE
42 - 80102	Flange gr.3,5 +socket capscrews	£85.16
42 - 80102/4	Flange gr.3,5 +socket capscrews for coupling gear GR4	£85.16
42 - 80103	Flange gr.3 +socket capscrews	£95.63
42 - 80103/4	Flange gr.3 +socket capscrews for coupling gear GR.4	£95.63
42 - 80104	Flange gr.2 +socket capscrews	£102.19
42 - 80104/4	Flange gr.2 +socket capscrews for coupling gear GR.4 PZ	£102.19
42 - 80105	Flange gr.3 BOSCH +socket capscrews	£121.84
43 - 90201	Flange SAE A +socket capscrews	£117.91
43 - 90201/4	Flange SAE A 4 holes +socket capscrews for coupling gear GR	£117.91
43 - 90202	Flange SAE B +socket capscrews	£115.30
43 - 90202/4	Flange SAE B +socket capscrews for coupling gear GR.4 PZ	£115.30
43 - 90203	Flange SAE C +socket capscrews	£117.91
43 - 90203/4	Flange SAE C +socket capscrews for coupling gear GR.4	£117.91

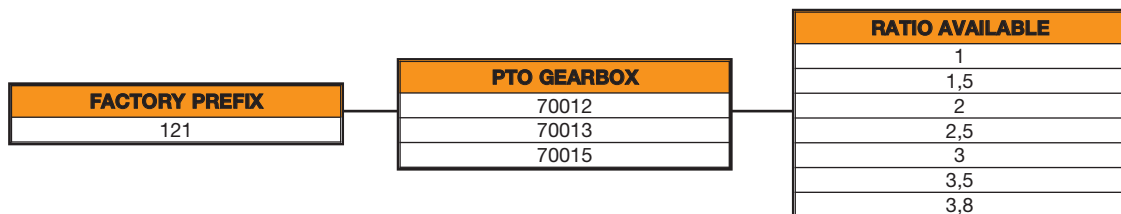
If the part number needed is not listed please ask the Flowfit Sales Team

SERIES 70012 CAST IRON PTO GEARBOX PUMP GROUP 3 • 37KW FLOWFIT



MAX OIL LEVEL 0.52 LITRE

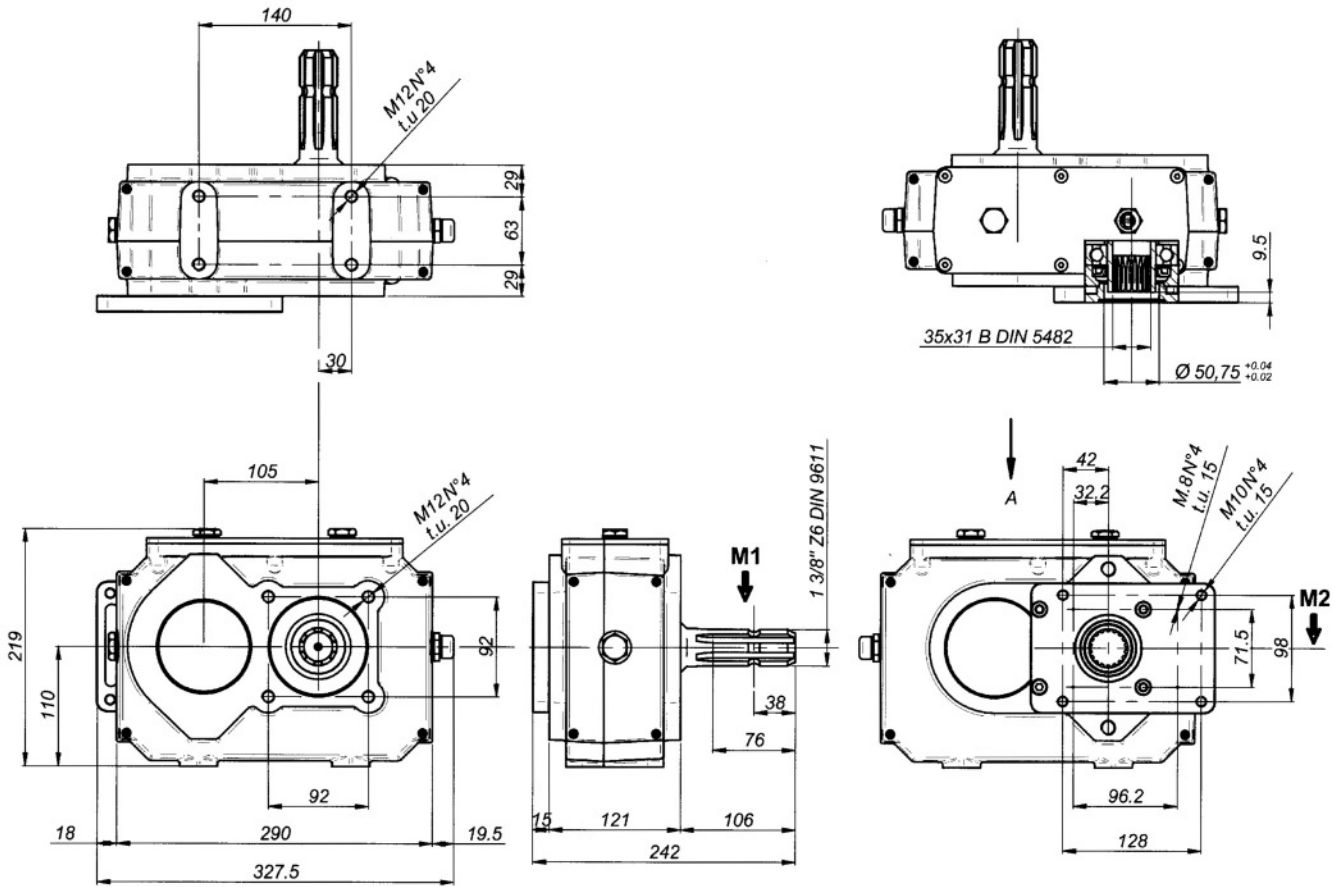
M1 MAXIMUM CONTINUOUS TORQUE OF THE PTO GEARBOX (Input side daNm)	M2 MAXIMUM TORQUE OF THE PTO GEARBOX (Output side daNm)	N1 TRACTOR OUTPUT SPEED RPM	N2 FINAL OUTPUT SPEED OF PUMP/GEARBOX ASSEMBLY RPM	I RATIO OF SPEED INCREASE	KW MAX TRANSMITTABLE POWER	WEIGHT KG
66	66	540	540	1	37	14.5
66	44	540	810	1.5	37	14.5
66	33	540	1080	2	37	14.5
66	26.4	540	1408	2.5	37	14.5
66	22	540	1620	3	37	14.5
66	18	540	1836	3.5	35	14.5
66	16.6	540	2057	3.8	35	14.5



PART NO.	DESCRIPTION OF PTO GEARBOX	PRICE
121-70012	PTO GEARBOX ANY RATIO MALE SHAFT 1 3/8" 6 SPLINE	£517.53
121-70013	PTO GEARBOX ANY RATIO FEMALE SHAFT 1 3/8" 6 SPLINE	£517.53
121-70015	PTO GEARBOX ANY RATIO FEMALE SHAFT 1 3/8" 6 SPLINE C/W QRC	£547.67

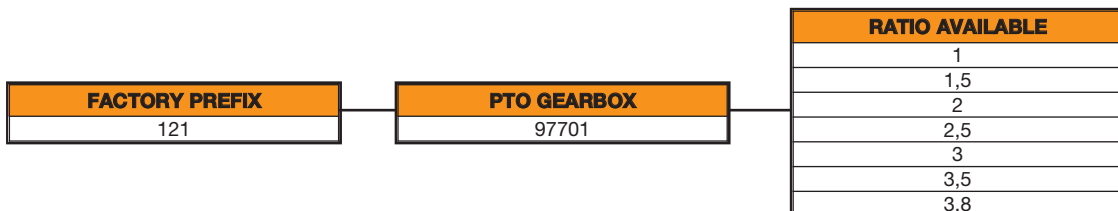
If the part number needed is not listed please ask the Flowfit Sales Team

SERIES 97701 CAST IRON PTO GEARBOX PUMP GROUP 2 + GROUP 3 **FLOWFIT**



MAX OIL LEVEL 1.5 LITRE

M1 MAXIMUM CONTINUOUS TORQUE OF THE PTO GEARBOX (Input side daNm)	M2 MAXIMUM TORQUE OF THE PTO GEARBOX (Output side daNm)	N1 TRACTOR OUTPUT SPEED RPM	N2 FINAL OUTPUT SPEED OF PUMP/GEARBOX ASSEMBLY RPM	I RATIO OF SPEED INCREASE	KW MAX TRANSMITTABLE POWER	WEIGHT KG
58	58	200	200	1	68	16
82.5	55	200	300	1.5	68	16
98	49	200	400	2	68	16
112.5	45	200	500	2.5	68	16
132	44	200	600	3	68	16
112.5	35	200	680	3.5	68	16
110.2	29	200	760	3.8	68	16



PART NO.	DESCRIPTION OF PTO GEARBOX	PRICE
97701-6	Pto Gearbox M7 in cast iron R.1:3,8 Male shaft with pinion	£936.81

If the part number needed is not listed please ask the Flowfit Sales Team