

MECHANICAL CLUTCHES

SERIES 30100 MECHANICAL CLUTCH GROUP 1 AND GROUP 2 • 30KW442
SERIES 30300 MECHANICAL CLUTCH GROUP 2 AND GROUP 3 • 40KW443
SERIES 30500 MECHANICAL CLUTCH GROUP 3.5 AND GROUP 4 • 60KW444
FLANGES TO SUIT 30500 SERIES GROUP 3.5 AND GROUP 4445

The Mechanical Clutches are reversible, plus anti-clockwise & clockwise are available upon request. When coupled with our range of gear pumps we recommend to engage and disengage the pump when the directional valve is in the unload position at a speed of not more than 1800 rpm. In the reversible position the max engagement and disengagement speed is 1000 r.p.m.

Lubrication

SAE 90 gear oil must be put in the mechanical clutch prior to use- please note we do not supply the gear oil and will not accept responsibility for customers not doing putting oil in.

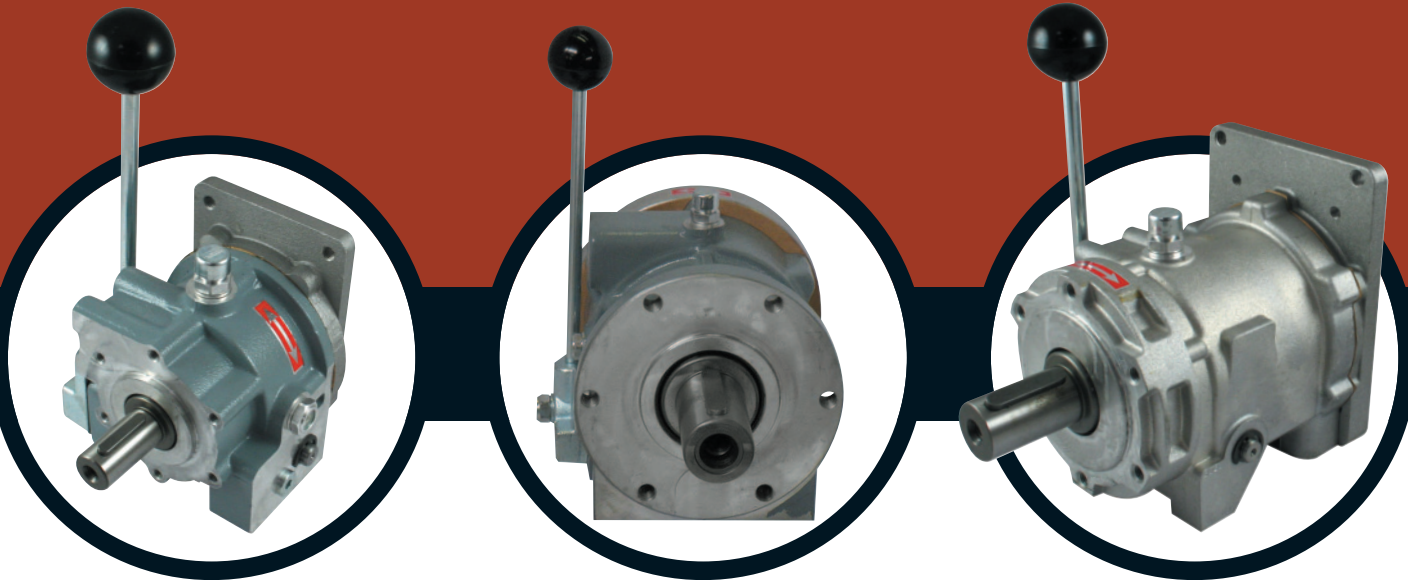
Change the oil after the first 60-80 hours and then every 12 months or 1500 hours which ever falls first.

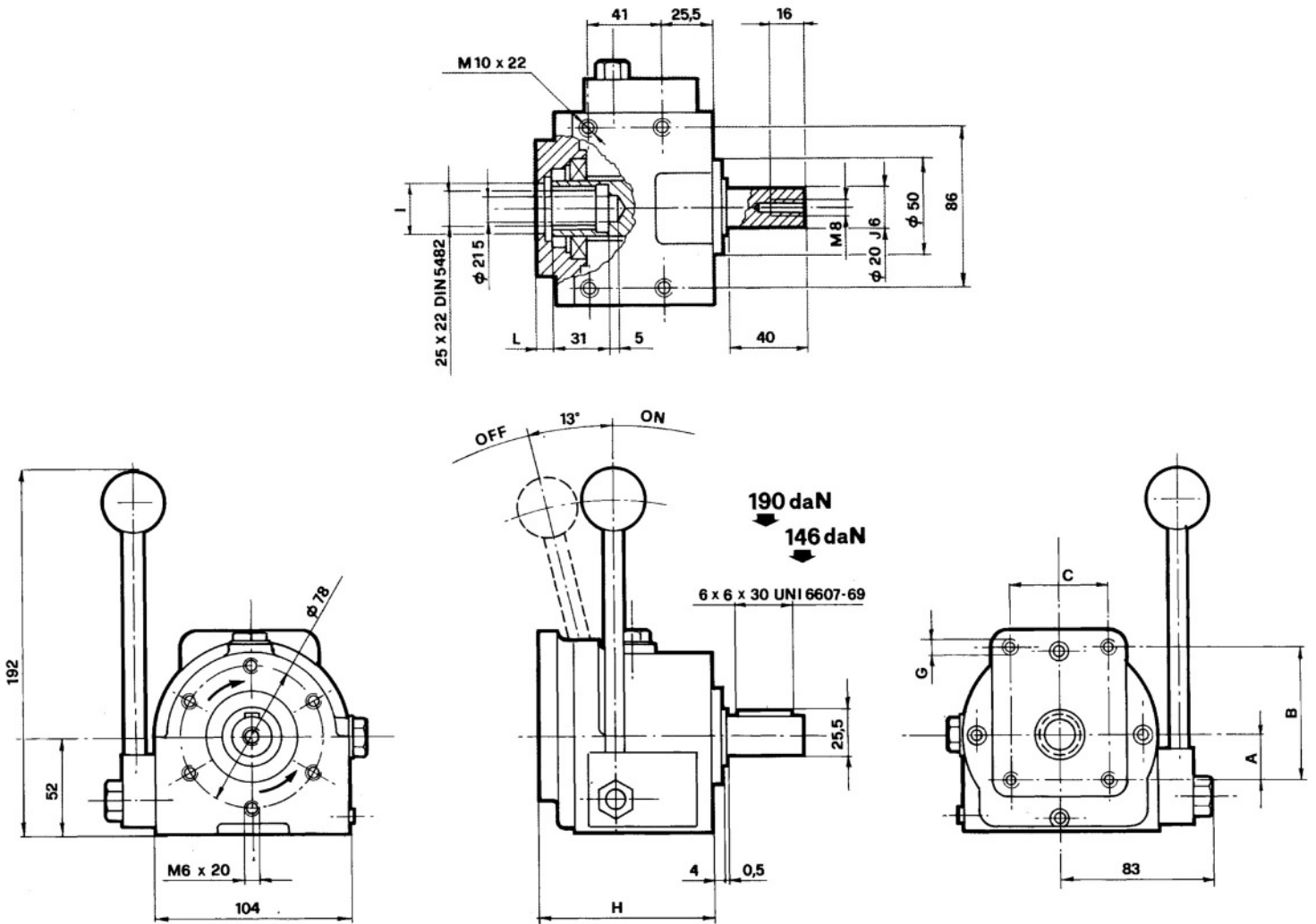
Maintenance

Please check the oil level via the special oil window every 50 hours. Working temperatures should not exceed 120 degrees celcius under continuous duty cycle.

Specify the correct Mechanical Clutch.

Please check with the Technical Sales Office if you are not sure which mechanical clutch to use.





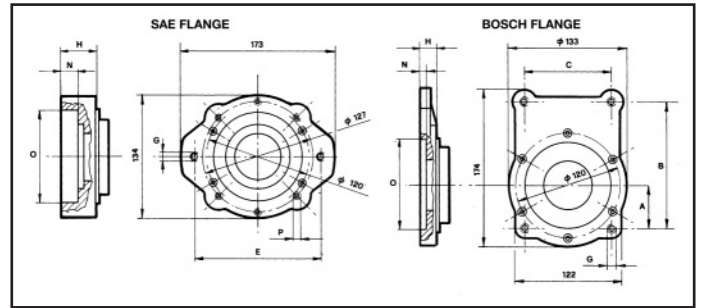
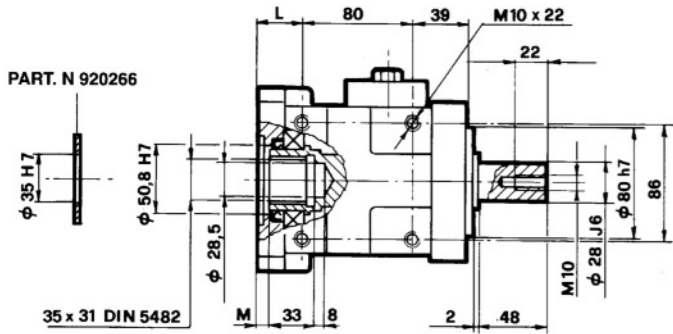
The mechanical couplings with two direction arrows are REVERSIBLE

Nominal torque	Max. speed	Max. power output	Axial load
9 daNm	2000 RPM	Kw 30	120 daN

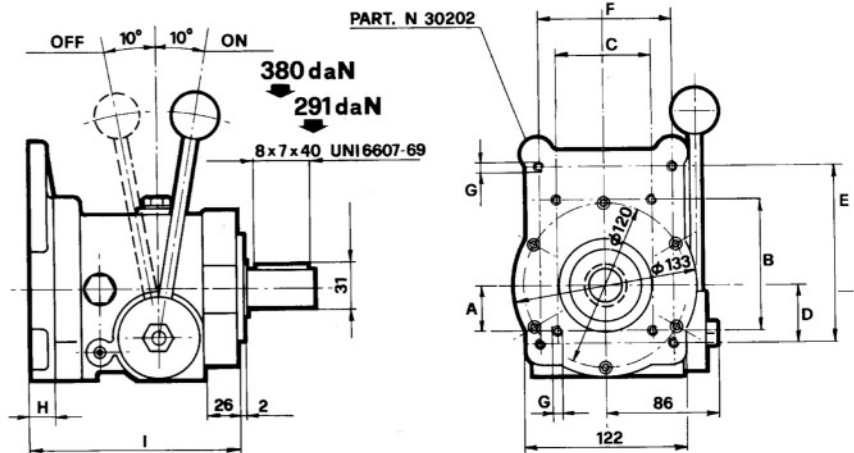
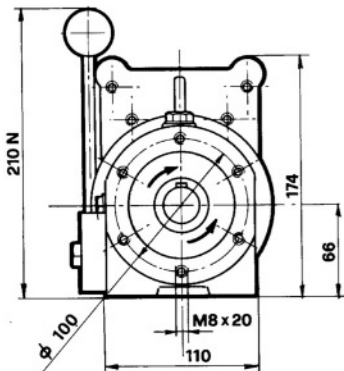
PART NUMBER	DIRECTION OF ROTATION	PUMP GROUP	A	B	C	G	H	I	L
30100	REVERSIBLE CLOCKWISE ANTICLOCKWISE	1	26.3	72	52.4	M6x12	92.5	25.4 H7	7
30103			32.5	96	71.4	M8x15	95.5	36,5 H7	10
30104		2	34.5	100	72	M8x15	95.5	80 H7	10
30100/B	REVERSIBLE CLOCKWISE ANTICLOCKWISE	2 BOSCH	34.5	100	72	M8x15	95.5	80 H7	10
30105			34.5	100	72	M8x15	95.5	80 H7	10
30106			34.5	100	72	M8x15	95.5	80 H7	10

PART NO.	DESCRIPTION	PRICE
25 - 30100	Mechanical Clutch Reversible gr.2/1	£328.85
25 - 30100/B	Mechanical Clutch Reversible Bosch	£361.62
25 - 30103	Mechanical Clutch Clockwise gr.2/1 Fl.1	£389.13
25 - 30104	Mechanical Clutch Antclockwise1/2	£389.13
25 - 30105	Mechanical Clutch Clockwise gr.2 Bosch	£389.13
25 - 30106	Mechanical Clutch Anticlockwise gr.2 Bosch	£389.13

If the part number needed is not listed please ask the Flowfit Sales Team



The mechanical couplings with two direction arrows are REVERSIBLE



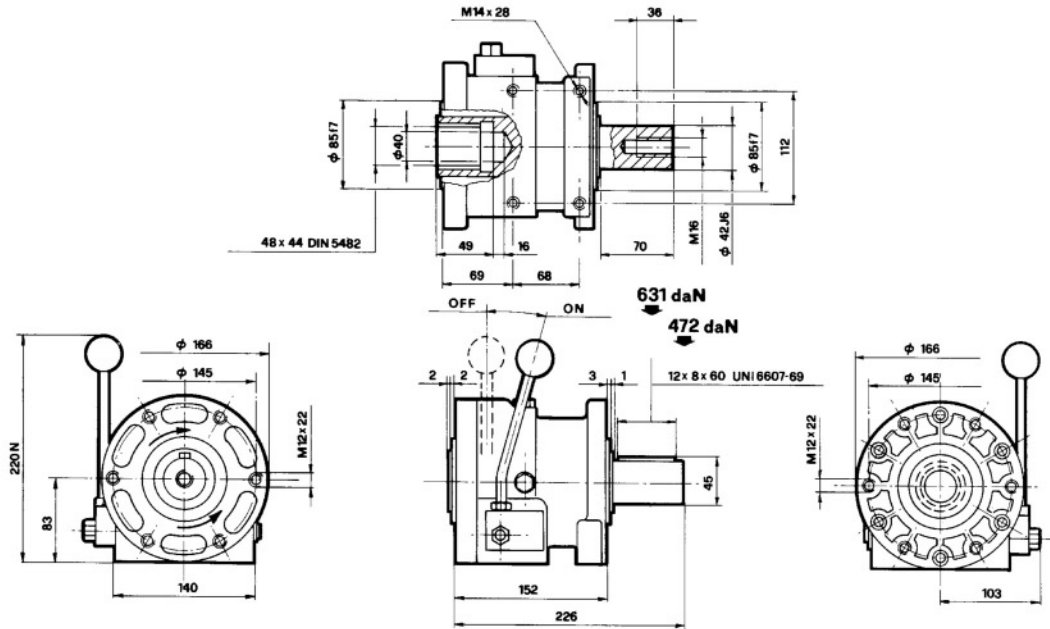
Nominal torque	Max. speed	Max. power output	Axial load
18,5 daNm	2700 RPM	Kw 40	160 daN

PART NUMBER	DIRECTION OF ROTATION	PUMP GROUP	A	B	C	D	E	F	G	H	I	L	M	N	O	H7	P
30300	REVERSIBLE																
30301	CLOCKWISE	2-3	32.5	96	71.4	42.5	128	98.4	M8x15	19	151	32	8.6				
30302	ANTICLOCKWISE	30202															
30313	REVERSIBLE	2															
30307	CLOCKWISE	BOSCH	34.5	100	72				M8x15	19	151	32	8.6	8.5	80		
30308	ANTICLOCKWISE	30217															
30314	REVERSIBLE	3															
30309	CLOCKWISE	BOSCH	48	145	102				M10x15	19.5	151.5	32.5	9.1	9	105		
30310	ANTICLOCKWISE	30228															
30311	REVERSIBLE	SAE A															
30303	CLOCKWISE	30203					106.4		M10x22	34	166	47	23.6	15	82.55		
30304	ANTICLOCKWISE																
30312	REVERSIBLE	SAE B															
30305	CLOCKWISE	30221					146		M12x22	39	171	52	28.6	20	101.6	M12x22	
30306	ANTICLOCKWISE																

PART NO.	DESCRIPTION	PRICE
26 - 30300	Mechanical Clutch Reversible gr.2/3 RV	£412.71
26 - 30301	Mechanical Clutch Clockwise gr.2/3	£412.71
26 - 30302	Mechanical Clutch Anticlockwise gr.2/3	£412.71
26 - 30303	Mechanical Clutch Clockwise gr.2/3 SAE A	£461.20
26 - 30304	Mechanical Clutch Anticlockwise gr.2/3 SAE A	£461.20
26 - 30305	Mechanical Clutch Clockwise gr.2/3 SAE B	£461.20
26 - 30306	Mechanical Clutch Anticlockwise gr.2/3 SAE B	£461.20
26 - 30307	Mechanical Clutch Clockwise gr.2/3 Fl.2 Bosch	£461.20
26 - 30308	Mechanical Clutch Anticlockwise gr.2/3 Fl.2 Bosch	£461.20
26 - 30309	Mechanical Clutch Clockwise gr.2/3 Fl.3 Bosch	£461.20
26 - 30310	Mechanical Clutch Anticlockwise left gr.2/3 Fl.3 Bosch	£461.20
26 - 30311	Mechanical Clutch Reversible gr.2/3 RV SAE A	£461.20
26 - 30312	Mechanical Clutch Reversible gr.2/3 RV SAE B	£461.20
26 - 30313	Mechanical Clutch Reversible gr.2/3 RV Fl.2 Bosch	£461.20
26 - 30314	Mechanical Clutch Reversible gr.2/3 RV Fl.3 Bosch	£461.20

If the part number needed is not listed please ask the Flowfit Sales Team

SERIES 30500 MECHANICAL CLUTCH GROUP 3.5 AND GROUP 4 • 60KW FLOWFIT



The mechanical couplings with two direction arrows are REVERSIBLE

Nominal torque	Max. speed	Max. power output	Axial load
58 daNm	2700 RPM	Kw 60	260 daNm

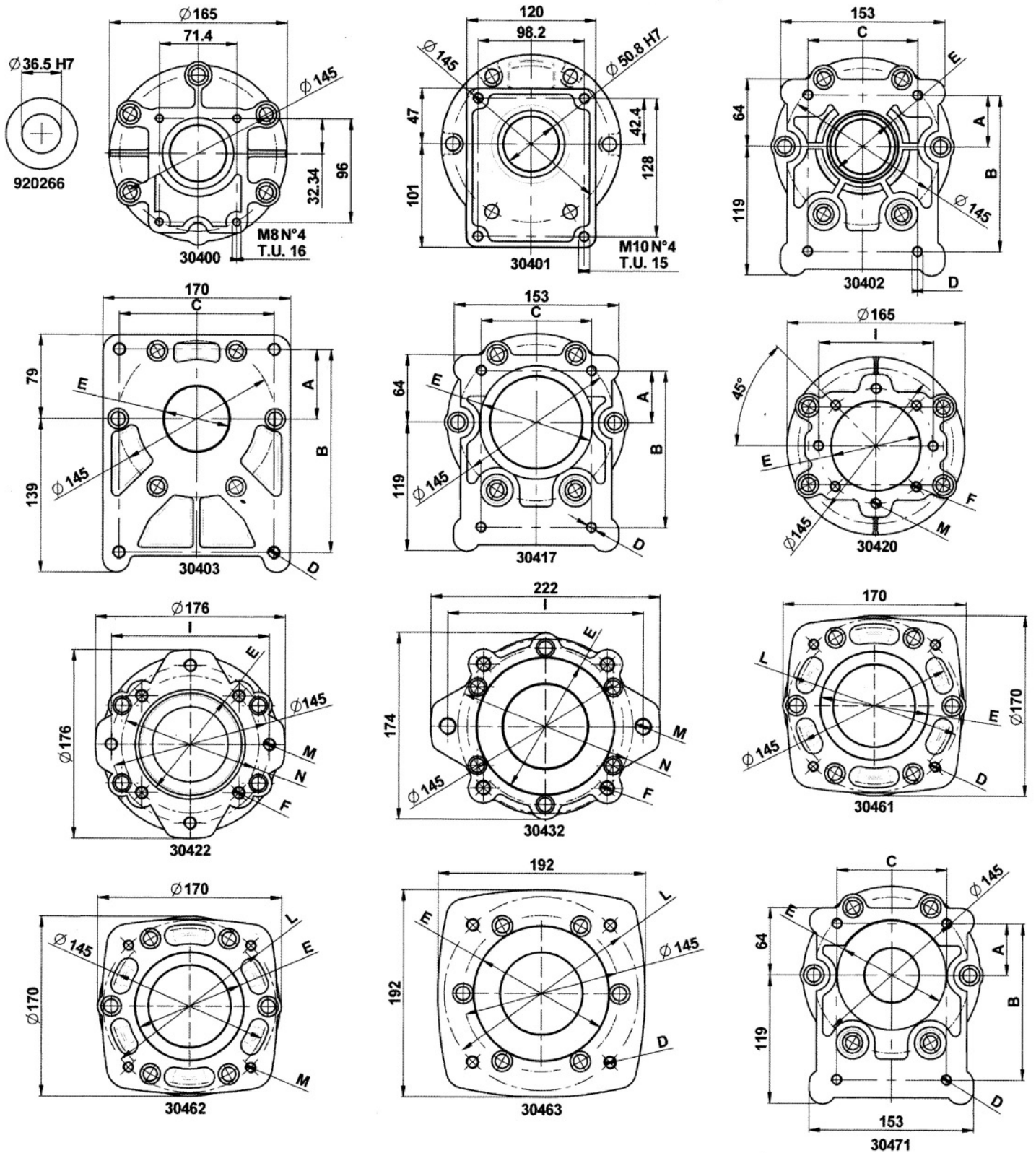
PART NUMBER	DIRECTION OF ROTATION
30500	REVERSIBLE ROTATION
30501	CLOCKWISE ROTATION
30502	ANTICLOCKWISE ROTATION

PART NUMBER	PUMP FLANGE TYPE	A	B	C	D	EH 7	FG	H	I	L	M	N
30400	Gr.2							17	21			
30401	Gr.3							21	23			
30402	Gr. 3.5	49.3	149.5	114.3	M10x20	60.3		11.5	24			
30403	Gr. 4	64.5	188	143	M12x22	63.5		16	23			
30417	Gr. 3 BOSCH	48	145	102	M10x15	105		12	19			
30420	SAE A					82.55	M12x20	21	25	106		M12x25
30422	SAE B					101.6	M12x20	12	25	146		M12x25 127
30432	SAE C					127	M14x25	16	28	181		M16x25 162
30461	L.G. 20-35				M10x16	100		25	34		160	
30462	L.G. 50				M10x25	100		32.5	41		160	
30463	L.G. 75				M12x25	105		33	41		180	
30471	ULTRA 3PL DOWTY	52.5	53.4	105.1	M10x20	101.6		10.5	24.5			

PART NO.	DESCRIPTION	PRICE
27 - 30500	Mechanical Clutch Reversible gr.3,5 without Flange	£890.95
27 - 30501	Mechanical Clutch Clockwise gr.3,5 without Flange	£890.95
27 - 30502	Mechanical Clutch Anticlockwise gr.3,5 without Flange	£890.95

If the part number needed is not listed please ask the Flowfit Sales Team

FLANGES TO SUIT 30500 SERIES GROUP 3.5 AND GROUP 4 **FLOWFIT**



PART NO.	DESCRIPTION	PRICE
28 - 30400	Flange gr.2+socket capscrews	£103.50
28 - 30401	Flange gr.3+socket capscrews	£96.96
28 - 30402	Flange gr.3,5+socket capscrews	£93.02
28 - 30403	Flange gr.4+socket capscrews	£93.02
28 - 30417	Flange gr.3 Bosch+socket capscrews	£117.91
28 - 30420	Flange SAE A 2 holes+socket capscrews	£93.02
28 - 30421	Flange SAE B 2 holes+socket capscrews	£117.91
28 - 30422	Flange SAE B 4 holes+socket capscrews	£116.72
28 - 30431	Flange SAE C 2 holes+socket capscrews	£117.91
28 - 30432	Flange SAE C 4 holes+socket capscrews	£117.91
28 - 30461	Flange L.G. 20-35+socket capscrews	£117.91
28 - 30462	Flange L.G. 50+socket capscrews	£117.91
28 - 30463	Flange L.G. 75+socket capscrews	£117.91