



MOTOR DATA SHEET

MOTOR PART CODE: 2.243TECAB35-90-IE2

FRAME SIZE: 90L2-4

50Hz

Output (kW)	2.2
Rotation Speed (rpm)	1430
Voltage	230/400
Full Load Current (A)	8.7 5.02
Full Load Torque (Nm)	14.69230769

60Hz

Output (kW)	2.64
Rotation Speed (rpm)	1716
Voltage	276 480
Full Load Current (A)	8.7 5.02
Full Load Torque (Nm)	12.24

Efficiency Data

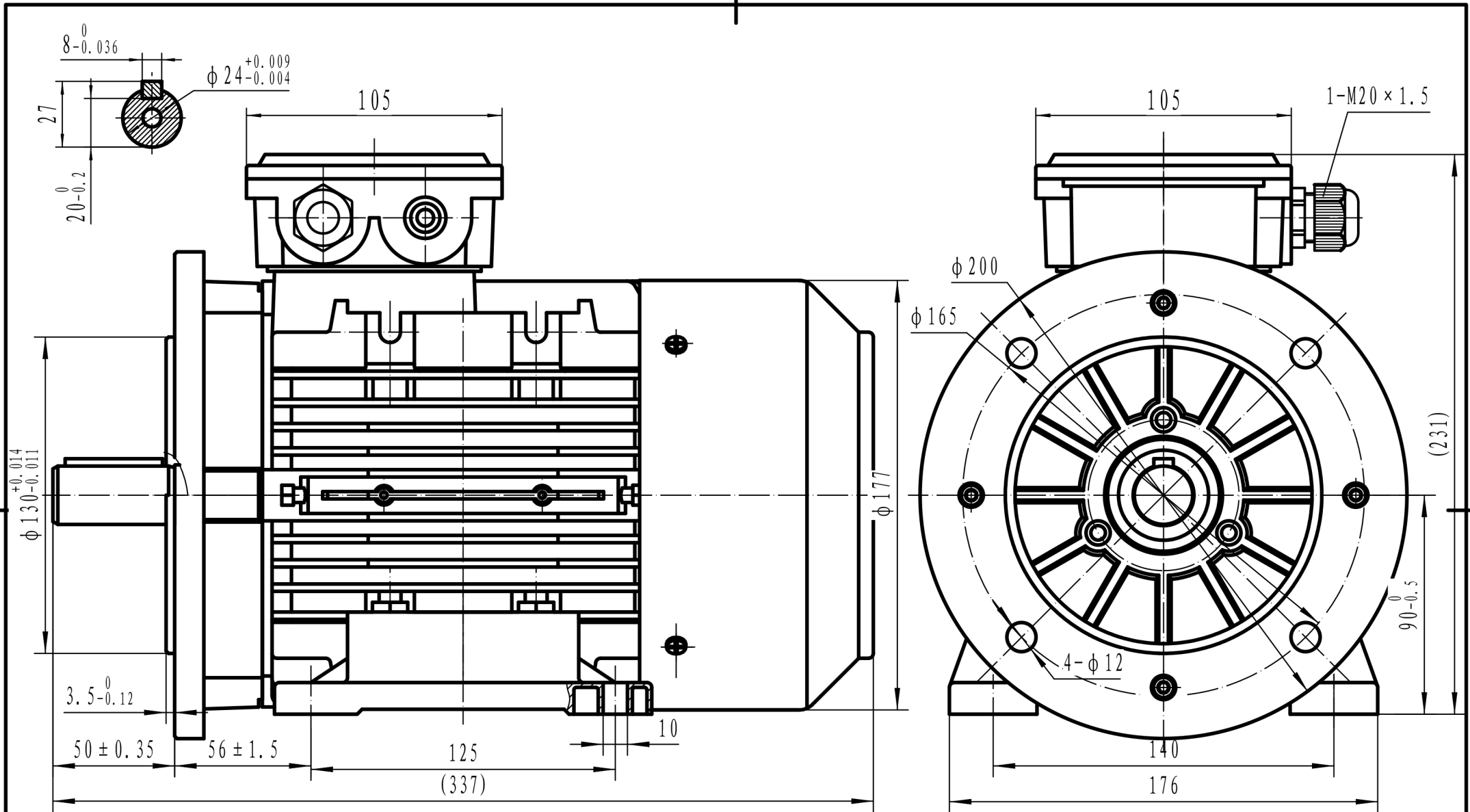
100%	75%	50%
84.3	85.3	84.3

Factory Reference	T2A 90L2-4
Tst/Tn (times)	3.4
Tmax/Tn	2.4
Noise (dB)	64
Moment of inertia	0.005352209
Type of feet	Removable feet
Protection	IP55
Rotation Direction	F / R
Cable Glands	1 - M20 × 1.5
Paint Colour	RAL 7024
Efficiency	IE2
Bearing (DE)	6205 2RS C3

Power Factor (cos)	0.75
Tmin/Tn	2.2
Ist/In (Times)	7.1
Net Weight (Kg)	18.8
Housing material	Aluminum
Insulation Class	F
Thermal Protection	PTC 130°C
Duty Cycle	S1
Cooling	IC411
Ambient Temperature	-20°C to +40°
Bearing Brand	NSK
Bearing (NDE)	6205 2RS C3

Motors designed and manufactured in accordance with:

**IEC 60034
IEC 60038
IEC 60072
2014/30/EU (EMC)
2014/35/EU (LVD)
2011/65/EU (RoHS 2)**



Drawn By	Date	TA90LB35
TECHTOP	27/11/2017	
Approved by	Date	
L. Overton	27/11/2017	
Issue No =	Date	
001/A	27/11/2017	