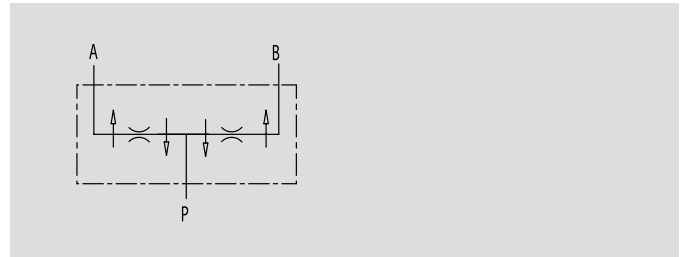


2 Ways Flow Divider

TIPO / TYPE
V-EQ

SCHEMA IDRAULICO
HYDRAULIC DIAGRAM



2 WAYS FLOW DIVIDER

USE AND OPERATION:

These valves allows the division of inlet flow into two equals parts (50/50) and they unify it in the reverse direction independently of any pressure changes and flow. These valves are used when two equal actuators, that are not mechanically coupled, supplied by the same pump and controlled by a single distributor, must move simultaneously both at input and output.

MATERIALS AND FEATURES:

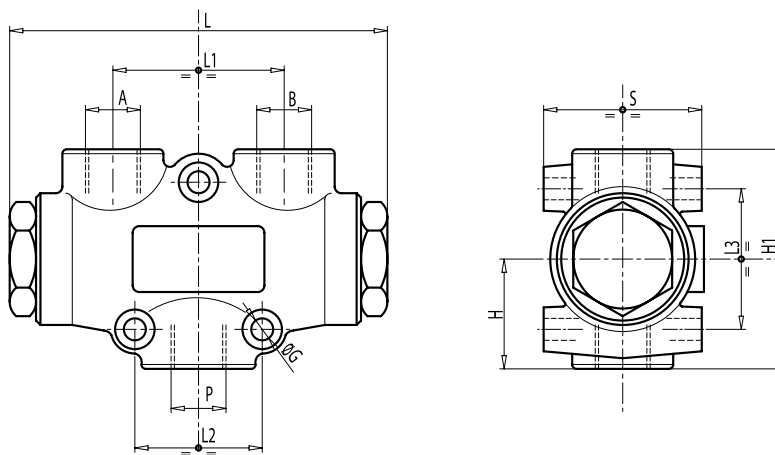
Body: cast iron
Internal parts: hardened and ground steel
Seals: BUNA N standard and Teflon
Tightness: by diameter combination. Minor leakage
Cylinder stroke error tolerance of 2%. Any synchronisation differences are compensated by the terminal position of the stroke.

APPLICATIONS:

Connect P to pressure flow and A and B to the actuators.

CODICE CODE	SIGLA TYPE	PORTATA MIN* MIN FLOW Lt. / min	PORTATA MAX* MAX FLOW Lt. / min	PRESS. ESERCIZIO WORKING PRESSURE Bar	PICCO DI PRESSIONE PEAK PRESSURE Bar
CFD063	V - EQ 8	1	3	250	300
CFD066	V - EQ 10	3	6	250	300
CFD0610	V - EQ 15	6	10	250	300
CFD0620	V - EQ 20	10	20	250	300
CFD0632	V - EQ 22	20	32	250	300
CFD0840	V - EQ 25	25	40	250	300
CFD0860	V - EQ 30	40	60	250	300
CFD0880	V - EQ 50	60	80	250	300

*I valori di portata si riferiscono all'ingresso P
*Capacity values refers to input P



CODICE CODE	SIGLA TYPE	P GAS	A - B GAS	L mm	L1 mm	L2 mm	L3 mm	ØG mm	H mm	H1 mm	S mm	PESO WEIGHT Kg.
CFD063	V - EQ 8	G 3/8"	G 3/8"	117	53	40	45	7	35	68	48	1,270
CFD066	V - EQ 10	G 3/8"	G 3/8"	117	53	40	45	7	35	68	48	1,270
CFD0610	V - EQ 15	G 3/8"	G 3/8"	117	53	40	45	7	35	68	48	1,280
CFD0620	V - EQ 20	G 3/8"	G 3/8"	117	53	40	45	7	35	68	48	1,280
CFD0632	V - EQ 22	G 3/8"	G 3/8"	117	53	40	45	7	35	68	48	1,280
CFD0840	V - EQ 25	G 1/2"	G 3/8"	117	53	40	45	7	35	68	48	1,280
CFD0860	V - EQ 30	G 1/2"	G 3/8"	117	53	40	45	7	35	68	48	1,260
CFD0880	V - EQ 30	G 1/2"	G 3/8"	117	53	40	45	7	35	68	48	1,260