

Flow Control Needle Valves with Free Reverse Flow

210 BAR Rated

Nickel plated brass

Article no.	Size BSP	Max Pressure BAR	Max Flow LPM	Price £	Price €
204015	1/8"	210	2*	£64.70	€66.70
204010	1/4"	210	20	£46.70	€48.10
204011	3/8"	210	30	£54.70	€56.40
204012	1/2"	210	50	£75.10	€77.50
204013	3/4"	210	90	£126.90	€130.80

* Fine control between 0 & 2 lpm body passivated

Dimensions (mm)

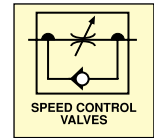
Size	B	C	D	E	F	F1	G	H	L	CH	WEIGHT kg
1/8"	8	46.5	55	4	22	40	12	m15x1	9.5	15	0.110
1/4"	12	56	57	4.5	22	40	12	m17x1	11	17	0.138
3/8"	13	64.5	69	7	27	50	12.5	M20x1	15	22	0.259
1/2"	16	87	82	10	33	70	13	M25x1.5	19	27	0.499
3/4"	20	115	100	12	38	80	15	M30x1.5	22	34	0.975

316 Stainless Steel with viton seals - 300 BAR RATED

Article no.	Size BSP	Max Pressure BAR	Max Flow LPM	Price £	Price €
224059	1/8"	300	2*	£178.00	€183.50
224060	1/4"	300	20	£156.40	€161.30
224061	3/8"	300	30	£190.40	€196.30
224062	1/2"	300	60	£270.90	€279.30
224063	3/4"	300	90	£363.70	€375.10

Dimensions (mm)

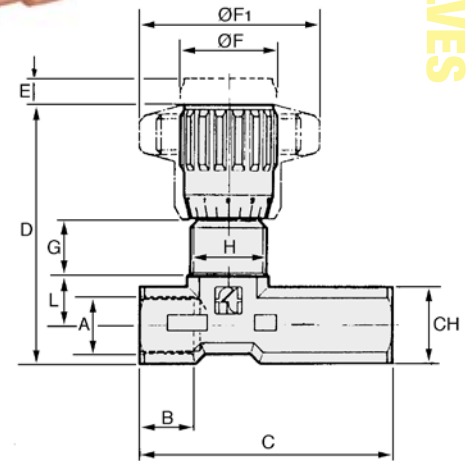
size	B	C	D	E	F	f1	G	H	L	CH	WEIGHT kg
1/8"	8	40	55	4	22	40	12	m15x1	9.5	15	0.105
1/4"	12	46	57	4.5	22	40	12	m17x1	11	17	0.122
3/8"	13	55	69	7	27	50	11.5	M20x1	15	22	0.233
1/2"	16	70	82	10	33	70	13	M25x1.5	19	27	0.455
3/4"	20	91	100	12	38	80	15	M30x1.5	22	34	0.86



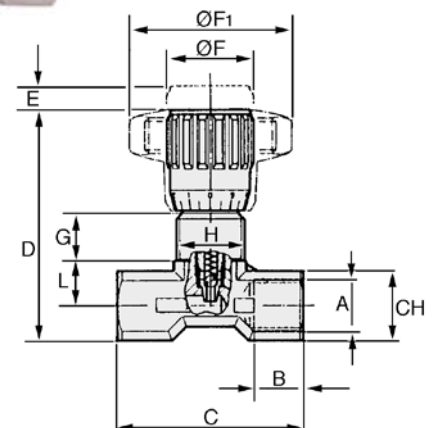
FLOW CONTROL VALVES



'MP' PLASTIC HANDLE on request interchangeable with aluminium knob



'MP' PLASTIC HANDLE on request interchangeable with aluminium knob



Materials

Body	Brass Nickel Plated Or Stainless Steel
Stem	304 Stainless Steel
Stem Seal	NITRIL (Others On Request)
Temp. Range	-20 TO +100°C
Control Knob	Aluminium or ABS Plastic
Thread	BSP Parallel

Panel Mounting Nuts – BRASS

Article no.	Size BSP	Price £	Price €
207010	1/8"	£2.60	€2.70
207011	1/4"	£2.40	€2.50
207012	3/8"	£2.70	€2.80
207013	1/2"	£3.70	€3.80
207006	3/4"	£5.70	€5.90

