

FLOWFIT®

MANUFACTURERS AND SUPPLIERS OF
HYDRAULIC COMPONENTS & SYSTEMS

MINI AC POWER UNIT CATALOGUE



CALL
01584 876033



CLICK
www.flowfitonline.com



VISIT
Open 6 days a week

Everything Hydraulic

FLOWFIT[®]

POWER UNITS CATALOGUE



MOTORS



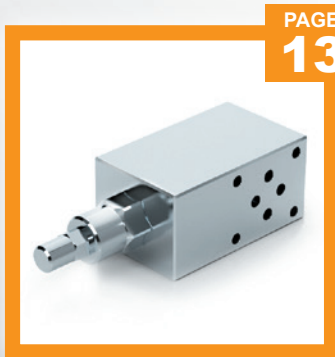
GEAR PUMPS



TANKS



STACKED VALVES



CARTRIDGE VALVES



CARTRIDGE HAND PUMP



MANIFOLDS



HYDRAULIC LIFT VALVE



ACCESSORIES

HOW TO ORDER



Phone: 01584 876033
 Monday - Thursday 8.30am - 5.00pm
 Friday 8.00am - 4.00pm
 Saturday 8.00am - 12.30pm



Email: sales@flowfitonline.com
 You can email your order to our fully qualified sales team 24 hours a day, 7 days a week



By Mail
 Harrier Fluid Power Ltd T/A Flowfit
 Parys Road, Ludlow Business Park
 Ludlow, Shropshire SY8 1XY



Online: www.flowfitonline.com
 Online ordering is the quickest and most convenient way to all the industrial supplies you need, 24 hours a day, 7 days a week.

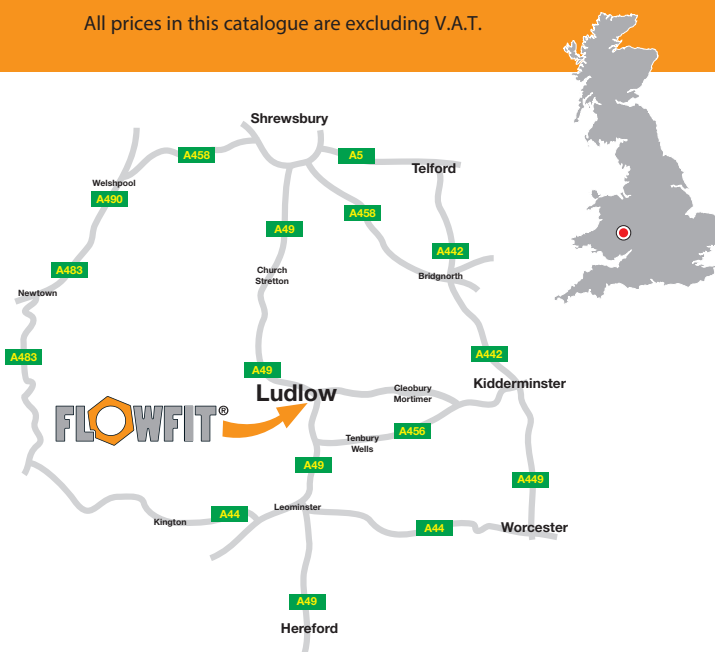


Fax: 01584 876044
Fax orders, 24/7



Visit our Trade Counter in Ludlow
Parys Road, Ludlow Business Park,
Ludlow, Shropshire SY8 1XY

All prices in this catalogue are excluding V.A.T.



Easy Payment Options

Credit Account

Setting up a business credit account is quick and easy just fill out a credit form, downloadable from the website
www.flowfitonline.com

Other Payment Methods

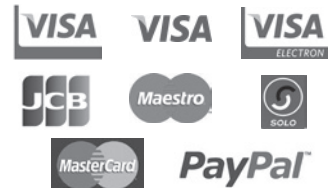
For your convenience we have several easy payment options for you to choose from:

Credit & Debit Cards

Cash at our Trade Counter

BACS Transfers

Paypal Payments



Satisfaction Guarantee

In the unlikely event that you are not completely satisfied with your purchase, you can return your unused stock item for a full refund. Simply retain your original packaging and contact our Customer Services on 01584 876033 and we will arrange a free collection at a time that is convenient for you.



HOW TO ORDER A HYD

FOLLOW THESE SIMPLE
STEPS TO GENERATE
YOUR ORDER CODE

PP -

240

MOTOR VOLTAGE	
CODE	VOLTAGE
240	AC240V
110	AC110V
415	AC415V

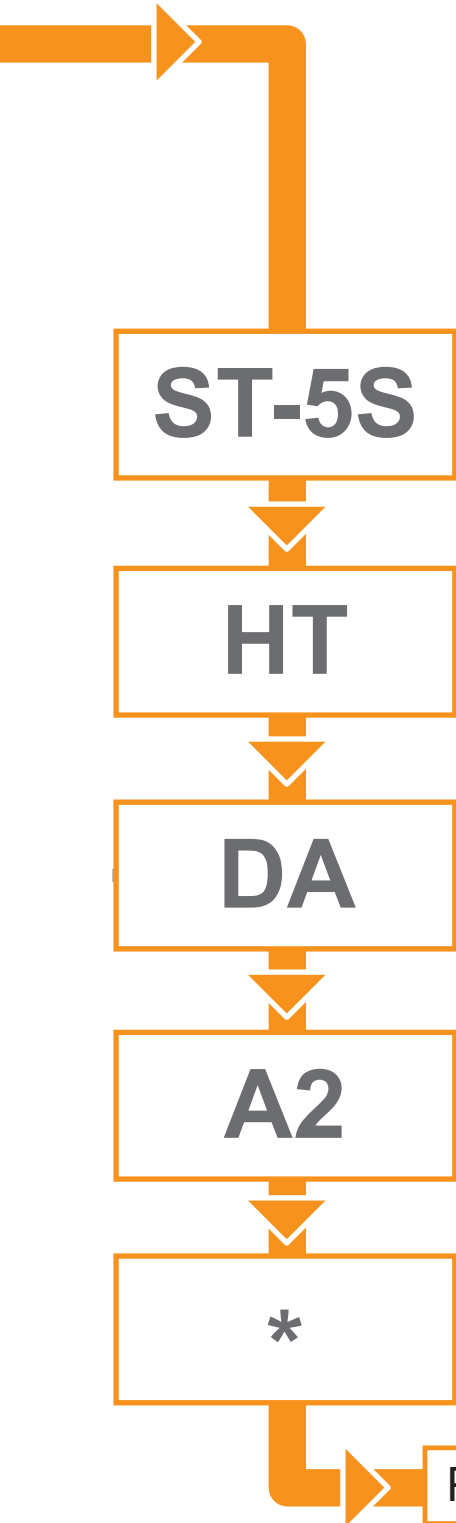
1.54

MOTOR KW SIZE		
CODE	POLE	KW
0.25	2 OR 4	0.25
0.37	2 OR 4	0.37
0.55	2 OR 4	0.55
1.1	2 OR 4	1.1
1.5	2 OR 4	1.5
2.2	2 OR 4	2.2
3	2 OR 4	3
4	2 OR 4	4
5.5	2 OR 4	5.5

2.1

GEAR PUMP	
CODE	DISPLACEMENT
0.75	0.75
1.1	1.1
1.3	1.3
1.6	1.6
2.1	2.1
2.6	2.6
3.2	3.2
3.7	3.7
4.2	4.2
4.8	4.8
5.8	5.8
7	7
8	8

HYDRAULIC POWER UNIT



CODE
ST-123-3S*
ST-123-5S*
ST-123-8S*
ST-123-10S*
ST-123-12S*
ST-123-15S*

TANK CAPACITY & MATERIAL	
SEE PAGES 9-11 OF THIS CATALOGUE	VOLTAGE

MOUNTING	
CODE	MOUNTING
HT	HORIZONTAL
VT	VERTICAL

CODE	CONTROL GEAR
PT	PRESSURE & TANK PORTS
SA	SINGLE ACTING
DA	DOUBLE ACTING

CODE	CONTROL GEAR VOLTAGE
D1	12V
D2	24V
A1	110V
A2	240V

SPECIAL REQUIREMENTS	
EXAMPLE OF SPECIAL REQUIREMENT	
RECTIFIED HIRSCHMANN	
MODULAR DOUBLE PILOT CHECK VALVE	
MODULAR METER OUT DUAL FLOW CONTROL	
UNLOADER VALVE	

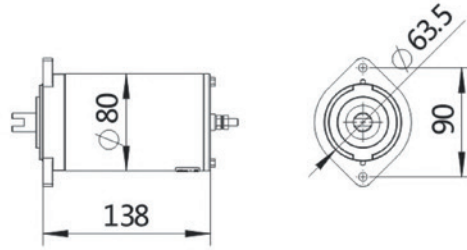
EXAMPLE ORDER CODE

PP-240-1.54-2.1-ST-5S-HT-DA-A2-AC

DC MINI MOTOR



DIMENSIONS



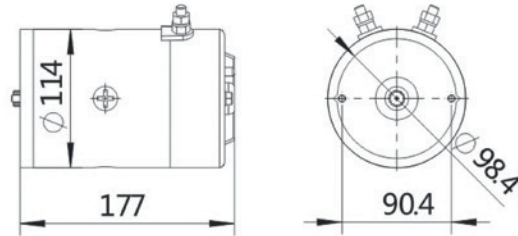
VOLTAGE: **12V/24V DC**
 POWER: **0.5KW, 0.8KW**
 SPEED: **3000 RPM**
 MOTOR ROTATION: **CW**
 DUTY: **S3**
 INGRESS PROTECTION: **IP54**

POWER	CODE
0.5KW	DM01-DC12V
0.8KW	DM02-DC12V
0.5KW	DM01-DC24V
0.8KW	DM02-DC24V

DC MOTOR, C/W RELAY



DIMENSIONS



VOLTAGE: **12V/24V DC**
 POWER: **1.6KW, 2.5KW**
 SPEED: **3000 RPM**
 MOTOR ROTATION: **CW**
 DUTY: **S3**
 INGRESS PROTECTION: **IP54**

POWER	VOLTAGE	CODE
1.6KW	12V	TD4112-RC
1.6KW	24V	TD4110-RC
2.5KW	24V	TD4110-RC-2.5K


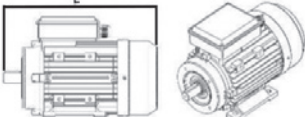
DC ELECTRIC MOTOR, FAN COOLED

VOLTAGE: **24V DC**
 POWER: **3.0KW**
 SPEED: **3000 RPM**
 MOTOR ROTATION: **CW**
 DUTY: **S3**
 INGRESS PROTECTION: **IP54**



POWER	CODE
3.0KW	ZD2373D

AC ELECTRIC MOTORS- SINGLE PHASE 240V

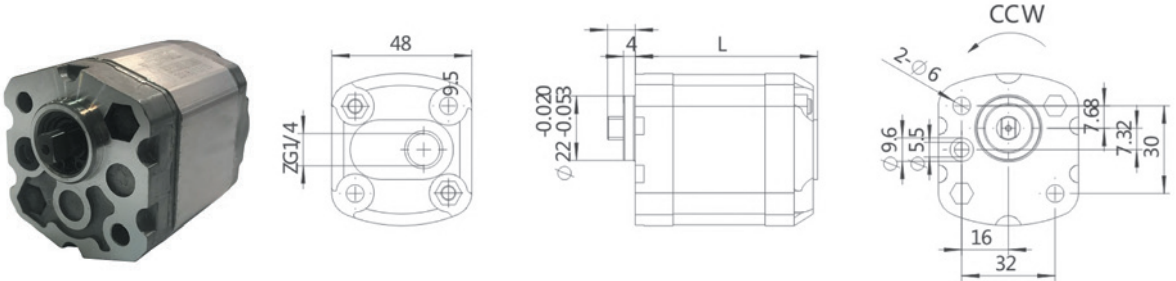
	DESCRIPTION	LENGTH	SPEED	ORDERING CODE	
<p>VOLTAGE: AC220V/AC230V POWER: 0.75KW, 1.1KW, 1.5KW, 2.2KW, 3.0KW POLE NO: 2, 4 FREQUENCY: 50HZ</p> <p>OUR MOTORS HAVE ALUMINIUM BODIES AND OFFERED WITH VARIED FEET MOUNTING. INSULATION CLASS F, IP55 PROTECTION. IP65 AVAILABLE.</p> <p>CAPACITOR START CAPACITOR RUN MOTORS HAVE A HIGHER STARTING TORQUE AND THEREFORE SUPPLIED AS STANDARD, BUT PERM CAP MOTORS ARE ALSO AVAILABLE ON REQUEST.</p> 	0.37 KW 2 POLE 71 FRAME	255mm	3000 RPM	0.3721TCCB34	
	0.55 KW 2 POLE 71 FRAME	255mm	3000 RPM	0.5521TCCB34	
	0.75 KW 2 POLE 80 FRAME	290mm	3000 RPM	0.7521TCCB34	
	1.1 KW 2 POLE 80 FRAME	290mm	3000 RPM	1.121TCCB34	
	1.5 KW 2 POLE 80 FRAME	290mm	3000 RPM	1.521TCCB34	
	2.2 KW 2 POLE 90 FRAME	367mm	3000 RPM	2.221TCCB34	
	3.0 KW 2 POLE 100 FRAME	403mm	3000 RPM	3.021TCCB34	
	0.25 KW 4 POLE 71 FRAME	255mm	1500 RPM	0.2541TCCB34	
	0.37 KW 4 POLE 71 FRAME	255mm	1500 RPM	0.3741TCCB34	
	0.55 KW 4 POLE 80 FRAME	255mm	1500 RPM	0.5541TCCB34	
	0.75 KW 4 POLE 80 FRAME	290mm	1500 RPM	0.7541TCCB34	
	1.1 KW 4 POLE 90 FRAME	367mm	1500 RPM	1.141TCCB34	
	1.5 KW 4 POLE 90 FRAME	367mm	1500 RPM	1.541TCCB34	
	2.2 KW 4 POLE 100 FRAME	403mm	1500 RPM	2.241TCCB34	
	3.0 KW 4 POLE 100 FRAME	403mm	1500 RPM	3.041TCCB34	
					

AC ELECTRIC MOTORS - 3 PHASE

	DESCRIPTION	LENGTH	SPEED	ORDERING CODE
<p>VOLTAGE: AC380V/AC415V/AC440V POWER: 0.75KW, 1.1KW, 1.5KW, 2.2KW, 3.0KW POLE NO: 2, 4 FREQUENCY: 50HZ</p> <p>OUR MOTORS HAVE ALUMINIUM BODIES AND OFFERED WITH VARIED FEET MOUNTING. INSULATION CLASS F, IP55 PROTECTION. IP65 AVAILABLE.</p> <p>CAPACITOR START CAPACITOR RUN MOTORS HAVE A HIGHER STARTING TORQUE AND THEREFORE SUPPLIED AS STANDARD, BUT PERM CAP MOTORS ARE ALSO AVAILABLE ON REQUEST.</p> 	0.37 KW 2 POLE 71 FRAME	241mm	3000 RPM	0.3723TECAB34
	0.55 KW 2 POLE 71 FRAME	241mm	3000 RPM	0.5523TECAB34
	0.75 KW 2 POLE 80 FRAME	290mm	3000 RPM	0.7523TECAB34-IE2
	1.1 KW 2 POLE 80 FRAME	290mm	3000 RPM	1.123TECAB34-IE2
	1.5 KW 2 POLE 80 FRAME	277mm	3000 RPM	1.523TECAB34-80-IE2
	1.5 KW 2 POLE 90 FRAME	312mm	3000 RPM	1.523TECAB34-IE2
	2.2 KW 2 POLE 90 FRAME	367mm	3000 RPM	2.223TECAB34-IE2
	3.0 KW 2 POLE 100 FRAME	370mm	3000 RPM	3.023TECAB34-IE2
	4.0 KW 2 POLE 100 FRAME	375mm	3000 RPM	4.023TECAB34-100-IE2
	4.0 KW 2 POLE 112 FRAME	397mm	3000 RPM	4.023TECAB34-IE2
	5.5 KW 2 POLE 112 FRAME	397mm	3000 RPM	5.523TECAB34-112-IE2
	0.37 KW 4 POLE 71 FRAME	241mm	1500 RPM	0.3743TECAB34
	0.55 KW 4 POLE 71 FRAME	241mm	1500 RPM	0.5543TECAB34-71
	0.55 KW 4 POLE 80 FRAME	290mm	1500 RPM	0.5543TECAB34
	0.75 KW 4 POLE 80 FRAME	290mm	1500 RPM	0.7543TECAB34-IE2
	1.1 KW 4 POLE 90 FRAME	312mm	1500 RPM	1.143TECAB34-IE2
	1.5 KW 4 POLE 90 FRAME	367mm	1500 RPM	1.543TECAB34-IE2
	2.2 KW 4 POLE 90 FRAME	337mm	1500 RPM	2.243TECAB34-90-IE2
	2.2 KW 4 POLE 100 FRAME	370mm	1500 RPM	2.243TECAB34-IE2
	3.0 KW 4 POLE 100 FRAME	370mm	1500 RPM	3.043TECAB34-IE2
4.0 KW 4 POLE 100 FRAME	375mm	1500 RPM	4.043TECAB34-100-IE2	
4.0 KW 4 POLE 112 FRAME	397mm	1500 RPM	4.043TECAB34-IE2	
5.5 KW 4 POLE 112 FRAME	397mm	1500 RPM	5.543TECAB34-112-IE2	
				

GEAR PUMP GROUP 0.5

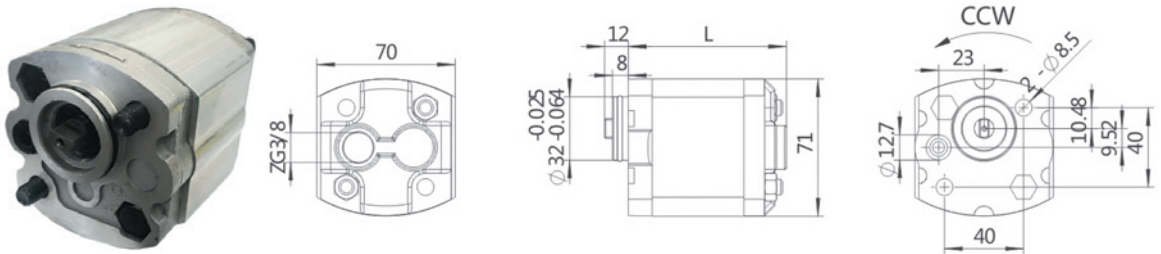
TO MOUNT THE PUMP, 2 X M5 SHCS, WITH A TORQUE WRENCH SETTING FIXED 5.4 ± 0.5 NM



TYPE	DISPLACEMENT (CC/R)	MAX PRESSURE (BAR)			MAX SPEED (R/MIN)	MIN SPEED (R/MIN)	LENGTH (MM)
		P1	P2	P3			
GP-F100.19	0.19	200	230	250	7,000	1,000	60
GP-F100.26	0.26	200	230	250	7,000	1,000	61
GP-F100.38	0.38	200	230	250	7,000	1,000	62
GP-F100.50	0.50	200	230	250	7,000	1,000	63
GP-F100.65	0.65	200	230	250	7,000	1,000	64
GP-F100.75	0.75	200	230	250	7,000	1,000	65
GP-F100.88	0.88	200	230	250	7,000	1,000	66
GP-F101.00	1.00	200	230	250	6,000	850	67
GP-F101.25	1.25	200	230	250	5,000	700	69
GP-F101.50	1.50	200	230	250	4,000	600	71
GP-F101.75	1.75	180	210	230	4,000	600	73
GP-F102.00	2.00	160	190	210	3,000	500	75

GEAR PUMP GROUP 1.0

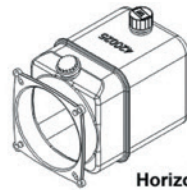
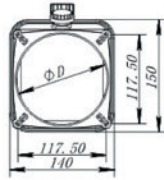
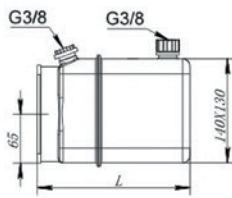
TO MOUNT THE PUMP, 2 X M8 SHCS, WITH A TORQUE WRENCH SETTING FIXED 27 ± 3 NM



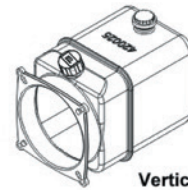
TYPE	DISPLACEMENT (CC/R)	MAX PRESSURE (BAR)			MAX SPEED (R/MIN)	MIN SPEED (R/MIN)	LENGTH (MM)
		P1	P2	P3			
GP-F200.75	0.75	230	250	270	6000	1000	73.5
GP-F201.1	1.10	230	250	270	6000	1000	75.5
GP-F201.3	1.30	230	250	270	6000	1000	76.5
GP-F201.6	1.60	230	250	270	6000	1000	77.5
GP-F202.1	2.10	230	250	270	6000	1000	80
GP-F202.6	2.60	230	250	270	6000	800	82
GP-F203.2	3.20	210	230	250	5000	800	85
GP-F203.7	3.70	210	230	250	4500	800	87.5
GP-F204.2	4.20	210	230	250	4000	800	90
GP-F204.8	4.80	190	210	230	3500	600	92.5
GP-F205.8	5.80	190	210	230	3000	600	97
GP-F207.0	7.00	160	180	200	2500	500	105
GP-F208.0	8.00	160	180	200	2100	500	109.5

PLASTIC OIL TANK

CODE	Ø D (MM)	L (MM)	VOLUME (L)
PT-123-1.5L	123	140	1.5
PT-123-2.5L	123	210	2.5
PT-123-3.8L	123	285	3.8
Surface Colour: White			
Horizontal or Vertical mount			
Air Breather and Plug Included			



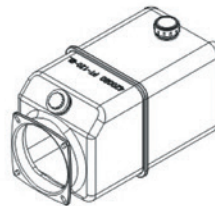
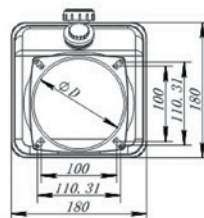
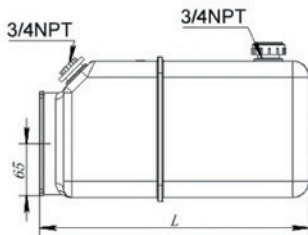
Horizontal



Vertical

PLASTIC OIL TANK

CODE	Ø D (MM)	L (MM)	VOLUME (L)
PT-123-4L	123	200	4
PT-123-5L	123	260	5
PT-123-7L	123	290	7
PT-123-8L	123	335	8
PT-123-11L	123	440	11
PT-123-13L	123	550	13
PT-123-18L	123	700	18
PT-123-24L	123	1050	24
Surface Colour: White			
Horizontal or Vertical mount			
Air Breather and Plug Included			



Horizontal



Vertical

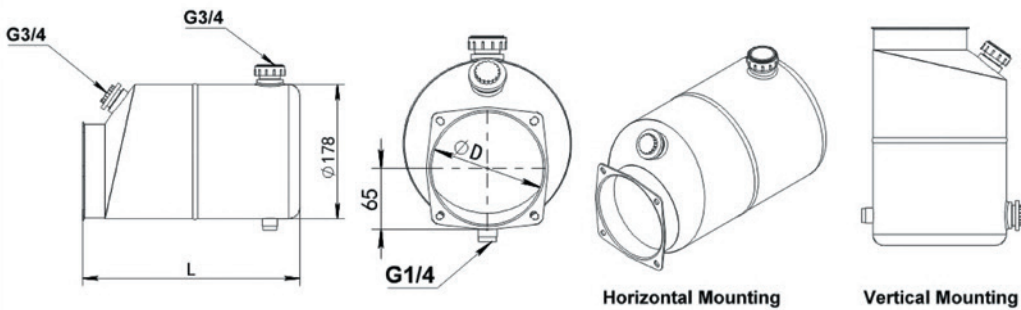
STEEL OIL TANK

CODE	Ø D (MM)	L (MM)	VOLUME (L)
ST-123-4L	123	225	4
ST-123-5L	123	265	5
ST-123-6L	123	290	6
ST-123-8L	123	365	8
ST-123-10L	123	435	10
ST-123-12L	123	545	12
ST-123-15L	123	650	15

Surface Colour: Black

Horizontal or Vertical mount

Air Breather and Plug Included



Horizontal Mounting

Vertical Mounting

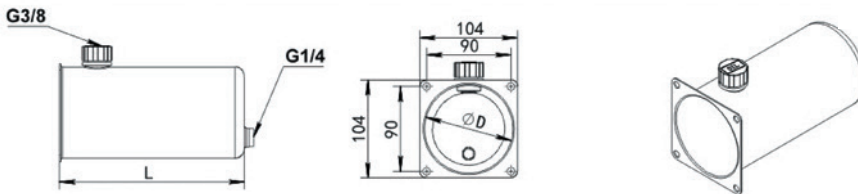
STEEL OIL TANK

CODE	Ø D (MM)	L (MM)	VOLUME (L)
ST-123-1.5	123	155	1.5
ST-123-2.5	123	230	1.5

Surface Colour: Black

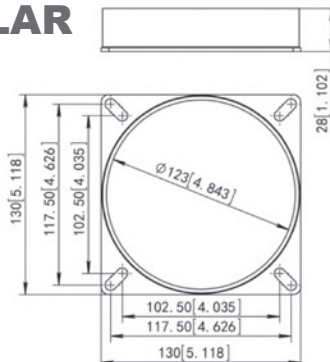
Horizontal or Vertical mount

Air Breather and Plug Included



WELD ON COLLAR

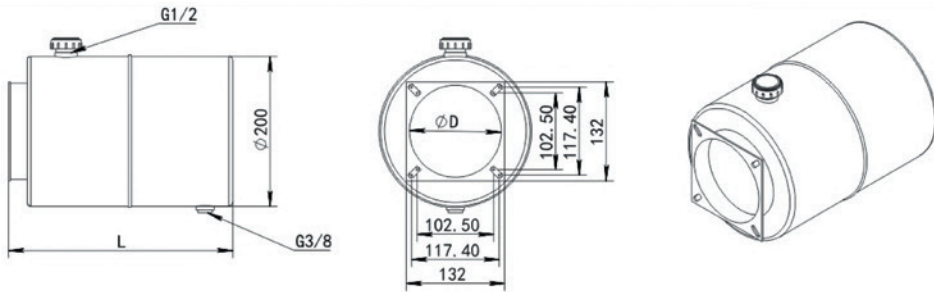
CODE	SIZE
390123	123mm
NOTE: STEEL	



STEEL OIL TANK

CODE	Ø D (MM)	L (MM)	VOLUME (L)
ST-123-3S*	123	150	3
ST-123-5S*	123	210	5
ST-123-8S*	123	300	8
ST-123-10S*	123	375	10
ST-123-12S*	123	440	12
ST-123-15S*	123	535	15

Surface Colour: Black
 Horizontal or Vertical mount
 Air Breather and Plug Included



HYDRAULIC STEEL TANK

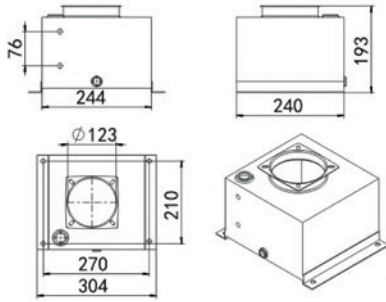
CODE	TANK SIZE
FFT-40	40 Litre
FFT-70	70 Litre
FFT-100	100 Litre

Fitted with 1/2" Drain Port Plug
 C/W Lid and Seal

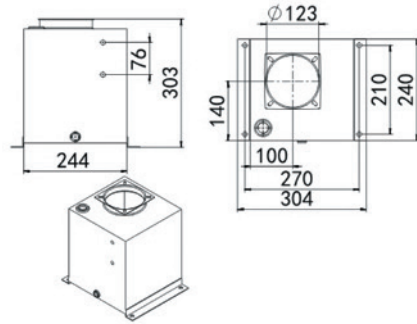


SQUARE STEEL OIL TANKS

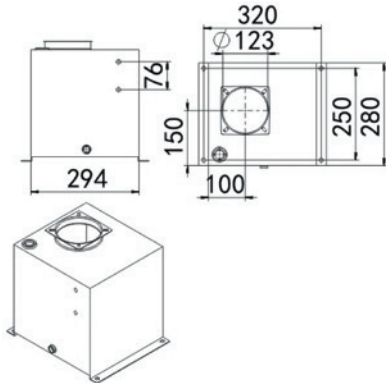
CODE	VOLUME
SST-123-7LCV	7L
Surface Colour: Black	
Vertical mount	
Air Breather and Plug Included	



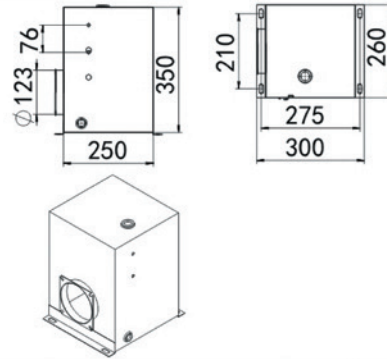
CODE	VOLUME
SST-123-15LCV	15L
Surface Colour: Black	
Vertical mount	
Air Breather and Plug Included	



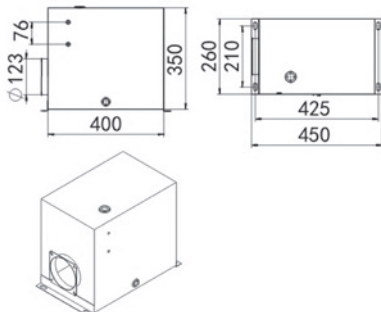
CODE	VOLUME
SST-123-20LCV	20L
Surface Colour: Black	
Vertical mount	
Air Breather and Plug Included	



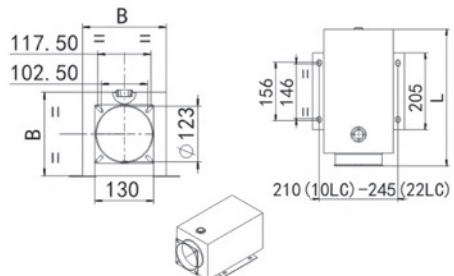
CODE	VOLUME
SST-123-24EH	24L
Surface Colour: Black	
Horizontal mount	
Air Breather and Plug Included	



CODE	VOLUME
SST-123-30EH	30L
Surface Colour: Black	
Horizontal mount	
Air Breather and Plug Included	



CODE:	VOLUME	L (MM)	B (MM)
SST-123-10LC	10L	330	185
SST-123-22LC	22L	470	223
Surface Colour: Black			
Horizontal mount			
Air Breather and Plug Included			



STACKED VALVE

SPOOL	*SPOOL*	**VOLTAGE**
3C2 	3C6 	12V DC = D1
3C3 	2B2 	24V DC = D2
3C4 	2B3B 	110V AC = A1
		220V DC = A2
CODE:		
F5-02-*SPOOL*-*VOLTAGE**		
EXAMPLE:		
F5-02-3C2-D1		



OPERATING PRESSURE:	FLOW:
315 Bar	80 L/MIN

CETOP 3 HAND OPERATED DIRECTIONAL CONTROL VALVES

SPOOL	*SPOOL*	**SPOOL RETURN**
3C2 	3C6 	W = Spring Centred
3C3 	2B2 	O = Detent
3C4 	2B3B 	
CODE:		
DMG-02-*SPOOL*-*SPOOL RETURN**		
EXAMPLE:		
DMG-02-3C2-W		



MAXIMUM PRESSURE	FLOW:
250 Bar	30 L/MIN

CODE	DESCRIPTION	SPOOL	DIMENSIONS
FFTCV-02A-K-20	CETOP 3 MODULAR FLOW VALVE, METER OUT ON A PORT		
FFTCV-02A-K-I-20	CETOP 3 MODULAR FLOW VALVE, METER IN ON A PORT		
FFTCV-02B-K-20	CETOP 3 MODULAR FLOW VALVE, METER OUT ON B PORT		
FFTCV-02B-K-I-20	CETOP 3 MODULAR FLOW VALVE, METER IN ON B PORT		
FFTCV-02W-K-20	CETOP 3 MODULAR FLOW VALVE, METER OUT ON A + B PORT		
FFTCV-02W-K-I-20	CETOP 3 MODULAR FLOW VALVE, METER IN ON A + B PORT		

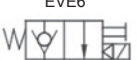


CETOP 3 MODULAR PILOT OPERATED CHECK VALVE

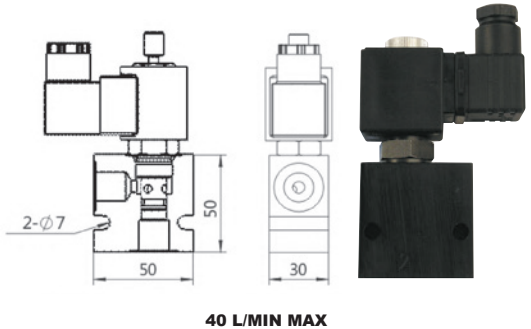
CODE	DESCRIPTION	SPOOL	DIMENSIONS
FFPCV-02A-05-20	CETOP 3 MODULAR P/O CHECK VALVE, C/P 0.35 BAR ON A		
FFPCV-02A-50-20	CETOP 3 MODULAR P/O CHECK VALVE, C/P 3.5 BAR ON A		
FFPCV-02B-05-20	CETOP 3 MODULAR P/O CHECK VALVE, C/P 0.35 BAR ON B		
FFPCV-02B-50-20	CETOP 3 MODULAR P/O CHECK VALVE, C/P 3.5 BAR ON B		
FFPCV-02W-05-20	CETOP 3 MODULAR P/O CHECK VALVE, C/P 0.35 BAR ON A + B		
FFPCV-02W-50-20	CETOP 3 MODULAR P/O CHECK VALVE, C/P 3.5 BAR ON A + B		


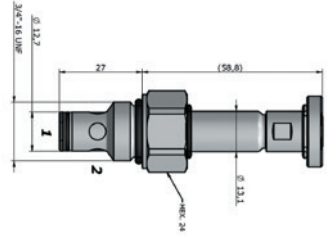




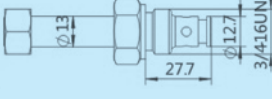

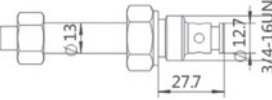

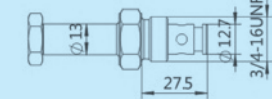

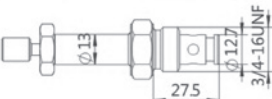
CETOP 3 MODULAR REDUCING VALVE

CODE	DESCRIPTION	SPOOL	DIMENSIONS
FFBRV-02P-K-1-20	CETOP 3 MODULAR REDUCING VALVE, 8-70 BAR ON P		
FFBRV-02P-K-2-20	CETOP 3 MODULAR REDUCING VALVE, 35-140 BAR ON P		
FFBRV-02P-K-3-20	CETOP 3 MODULAR REDUCING VALVE, 70-250 BAR ON P		
FFBRV-02A-K-1-20	CETOP 3 MODULAR REDUCING VALVE, 8-70 BAR ON A		
FFBRV-02A-K-2-20	CETOP 3 MODULAR REDUCING VALVE, 35-140 BAR ON A		
FFBRV-02A-K-3-20	CETOP 3 MODULAR REDUCING VALVE, 70-250 BAR ON A		
FFBRV-02B-K-1-20	CETOP 3 MODULAR REDUCING VALVE, 8-70 BAR ON B		
FFBRV-02B-K-2-20	CETOP 3 MODULAR REDUCING VALVE, 35-140 BAR ON B		
FFBRV-02B-K-3-20	CETOP 3 MODULAR REDUCING VALVE, 70-250 BAR ON B		

CARTRIDGE VALVE

SPOOL	**THREAD**	***COIL VOLTAGE***
EVE6 	1/4" BSP = 140 3/8" BSP = 380	12V DC = 012DC 24V DC = 024DC 110V AC = 11050 220V DC = 22050
EVC6 	CODE: *SPOOL*-*THREAD**-*VOLTAGE*** EXAMPLE: EVE6-140-024DC	
EVA6 		

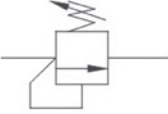
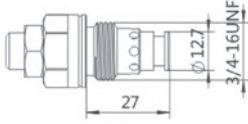
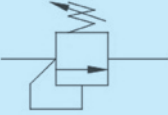
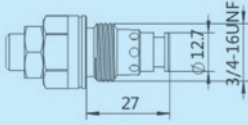
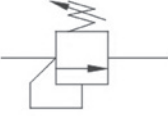
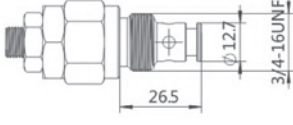
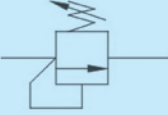
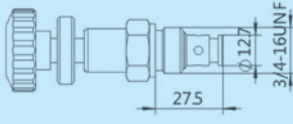


CODE	DESCRIPTION	SPOOL	DIMENSIONS
SVCP-S08-TS1-N-1	Normally Closed 2 Way, 2 Position Cartridge Solenoid Valve With Manual Override, 40L/MIN, EVE6 Style		
SVCP-S08-TS1-N-0	Normally Closed 2 Way, 2 Position Cartridge Solenoid Valve, 40L/MIN, EVC6 Style		
SVCP-S08-TS2-N-0	Normally Open 2 Way, 2 Position Cartridge Solenoid Valve, 40L/MIN, EVA6 Style		
TSV-08-2NCP	 Normally Closed, Two-Way Two-position Cartridge Solenoid Valve		
TSV-08-2NCP-M			
TSV2-08-2NCP			
TSV2-08-2NCP-M			



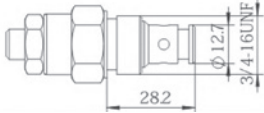


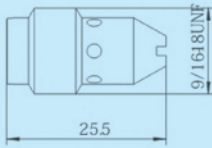


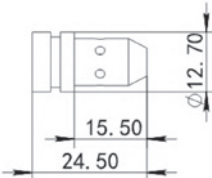
CARTRIDGE VALVE

CODE	DESCRIPTION	SPOOL	DIMENSIONS
V1421	STACKABLE CETOP 3 DOUBLE OVERCENTRE VALVE, VBCD DE NG6		
V1411	STACKABLE CETOP 3 SINGLE OVERCENTRE VALVE, VBCD SE/A NG6		
CODE	DESCRIPTION	SPOOL	DIMENSIONS
TSV-08-2NOP	Normally Open, Two-Way Two-position Cartridge Solenoid Valve		
TSV-08-2NCSP	Normally Closed, Two-Way Two-position, Bi-Directional Cartridge Solenoid Valve		
TSV-08-4CO	Four-Way, Two-Position Spool Type Cartridge Solenoid Valve		
TCV2-08	Direct-Acting Ball-Type Cartridge Check Valve		
TRV-08-5	0~50bar		



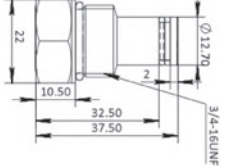

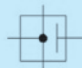
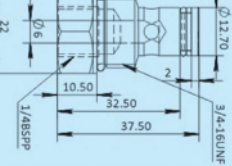


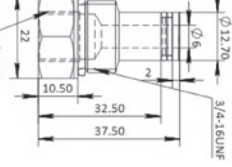

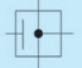
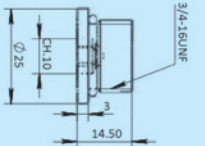


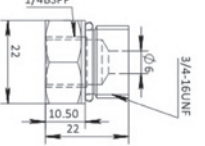
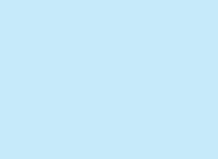

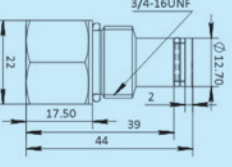

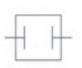
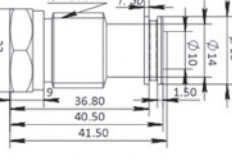
CARTRIDGE VALVE

CODE	DESCRIPTION	SPOOL	DIMENSIONS
TRV-08-16	20~160bar		
TRV-08-25	80~250bar		
TRV2-08	Adjustable Direct-Acting Cartridge Relief Valve		
TRV3-08			



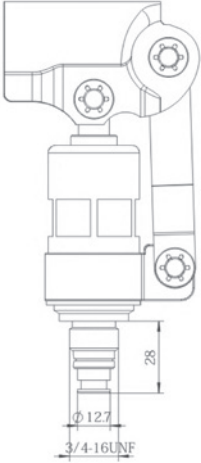

CARTRIDGE VALVE

CODE	DESCRIPTION	SPOOL	DIMENSIONS
TNV-08	Flow Control Valve 		
IFC-6T	Regulator Pressure-Compensated Flow Control Valve in-line 1L/min 2L/min 3L/min 4L/min 5L/min 6L/min 7L/min 8L/min 9L/min 10L/min 		
IFC-6T-12.7	Regulator Pressure-Compensated Flow Control Valve in-line 1L/min 2L/min 3L/min 4L/min 5L/min 6L/min 7L/min 8L/min 9L/min 10L/min 		

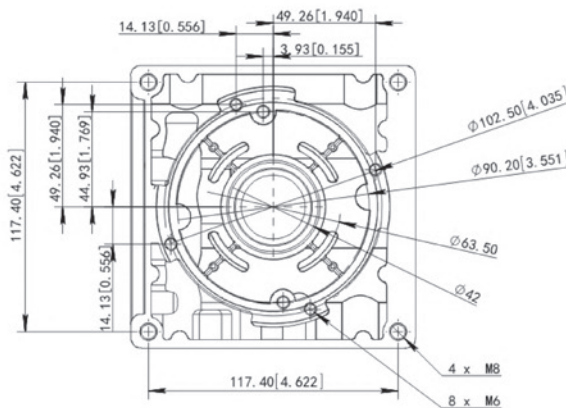
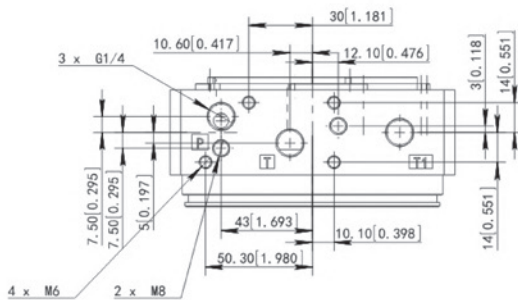
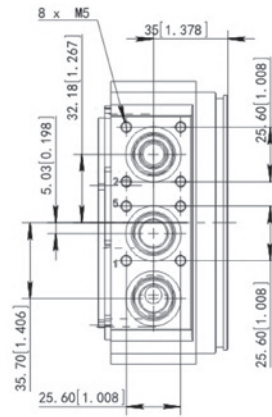
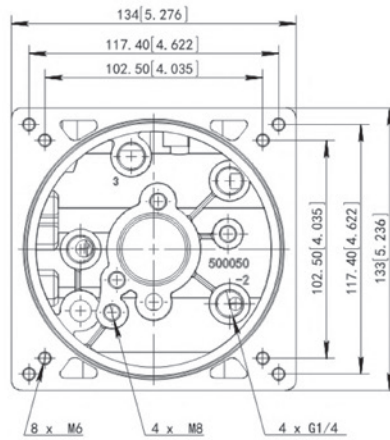
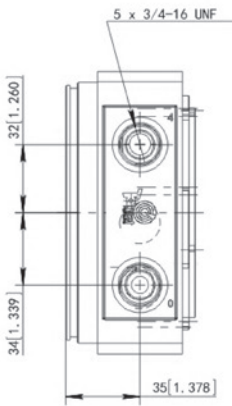
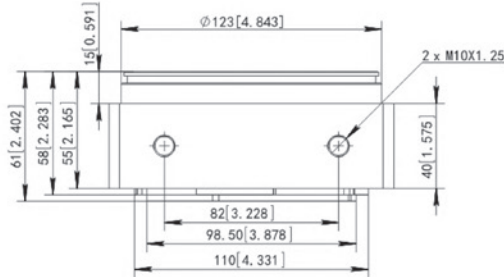
CARTRIDGE VALVE

CODE		SPOOL	DIMENSIONS
TCV-08G			
TCV-08H			
TCV-08P			
TCV-08L			
TCV-08N			
TCV-08XP			
TCV-M20G			

CARTRIDGE HAND PUMP

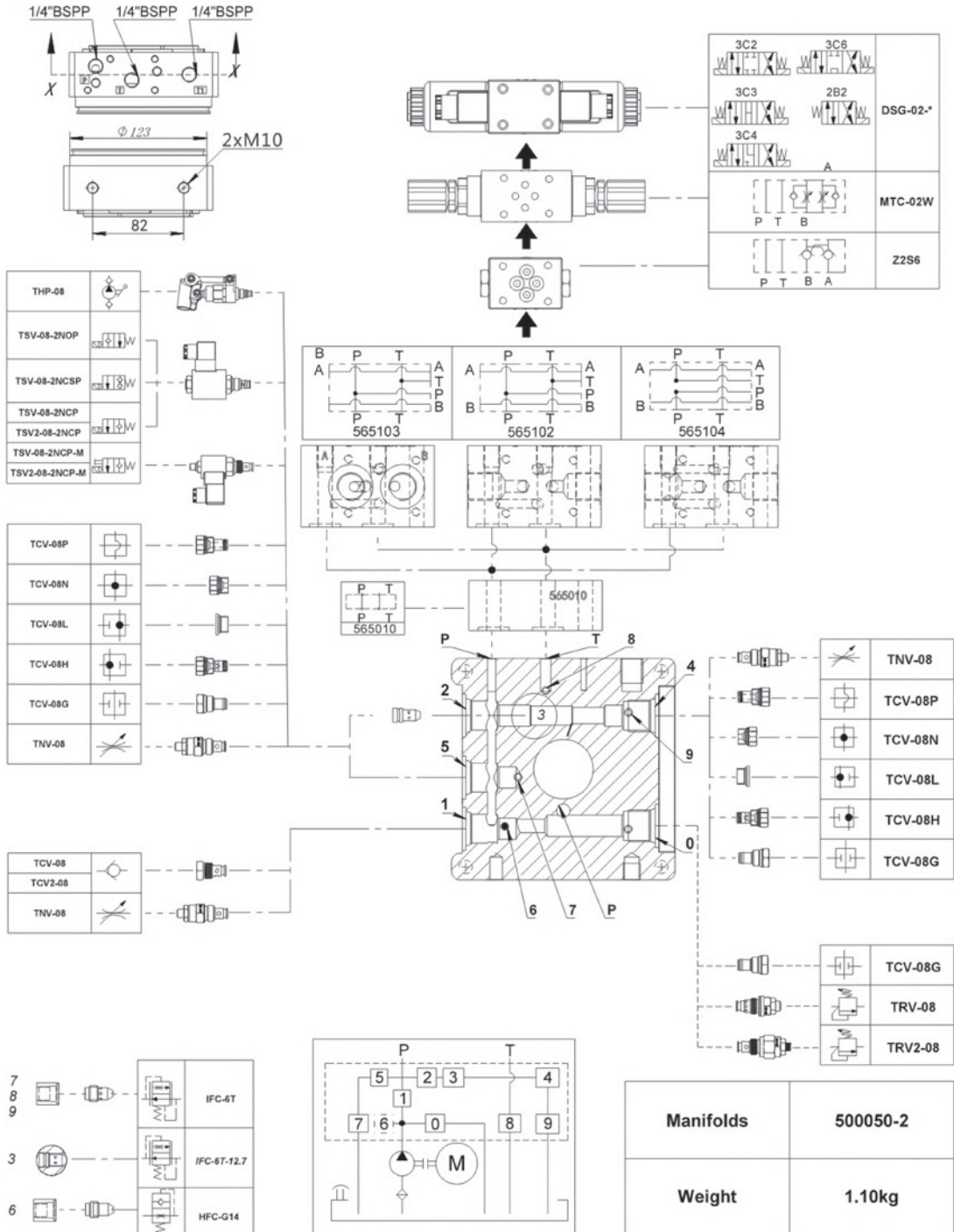
CODE	DESCRIPTION	SYMBOL	DIMENSIONS
THP-08	<p>Hand Pump 7cc/stroke</p> 		
450MMLEVER	<p>450mm Lever To Suit Flowfit AC/DC Back Up Handpump</p>		

500050-2 CENTRAL MANIFOLDS - OVERALL DIMENSIONS



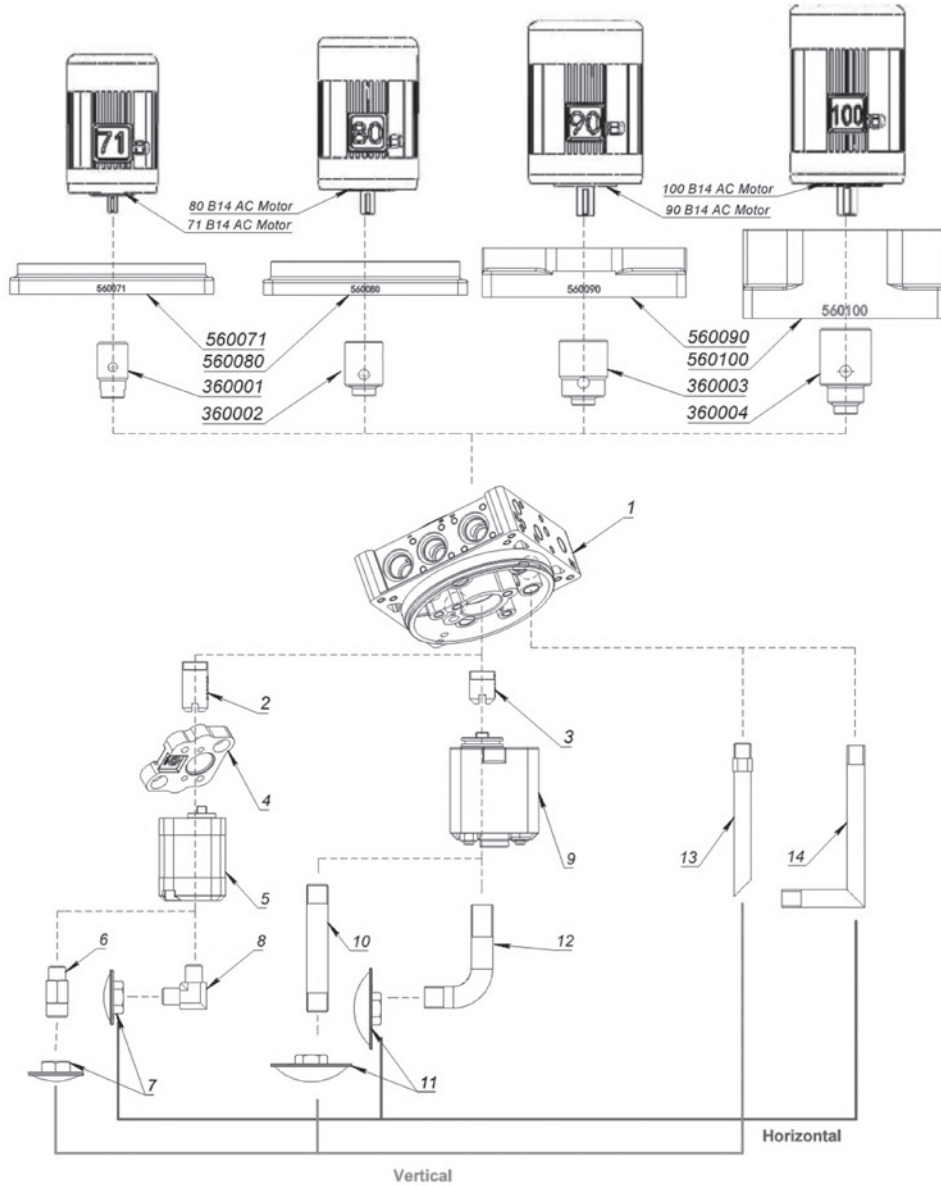
MANIFOLDS	WEIGHT
500050-2	1.10KG

500050-2 CENTRAL MANIFOLDS CAVITIES & COMPONENTS



Manifolds	500050-2
Weight	1.10kg

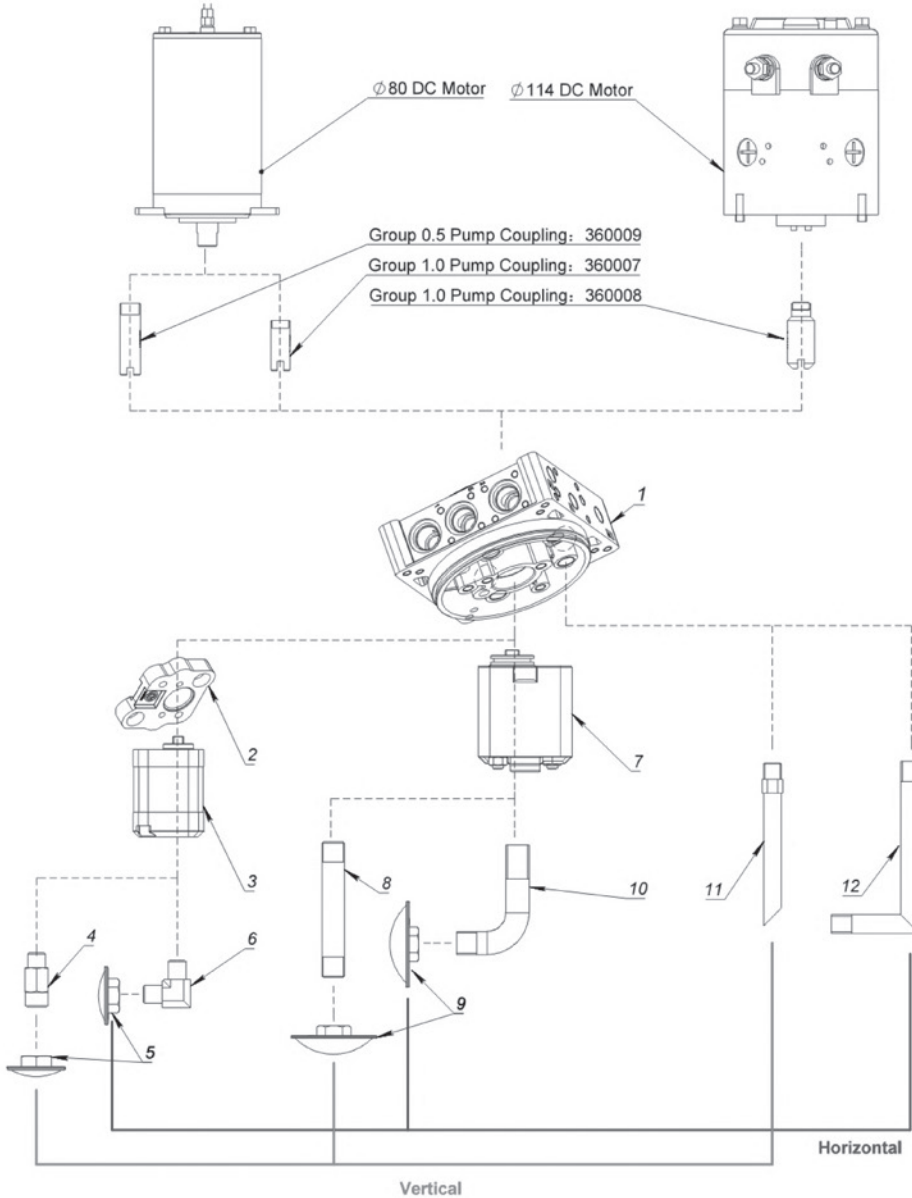
B14 AC MOTORS PUMPS & ACCESSORIES ASSEMBLY GUIDE



NUMBER	1	2	3	4	5	6	7
ITEM	500050-2	360006	360005	560001	Group 0.5 Pump	ZG38-14*	F43

NUMBER	1	2	3	4	5	6	7
ITEM	ZG38-14-90	Group 1.0 Pump	PSP-*	F65	ZG38-90	RP-G14-*	RP-14-90

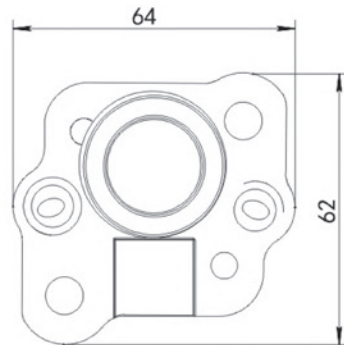
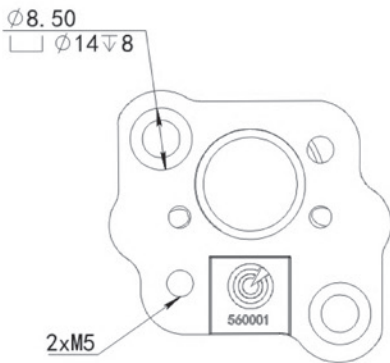
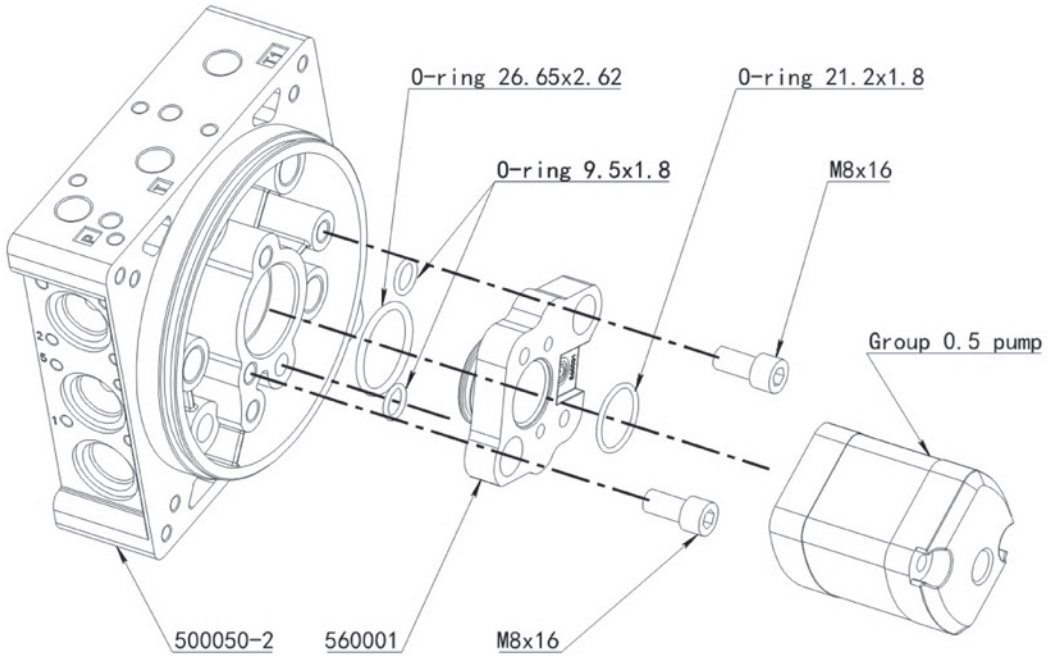
DC MOTORS PUMPS & ACCESSORIES ASSEMBLY GUIDE



NUMBER	1	2	3	4	5	6
ITEM	500050-2	560001	Group 0.5 Pump	ZG38-14*	F43	ZG38-14-90

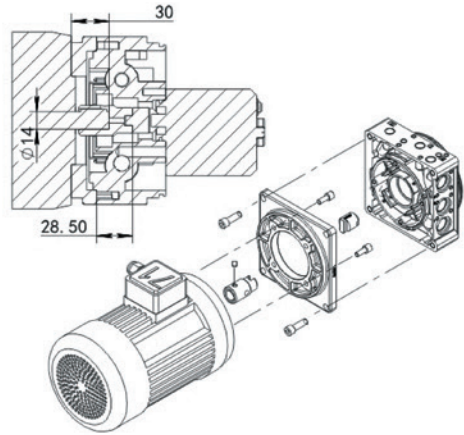
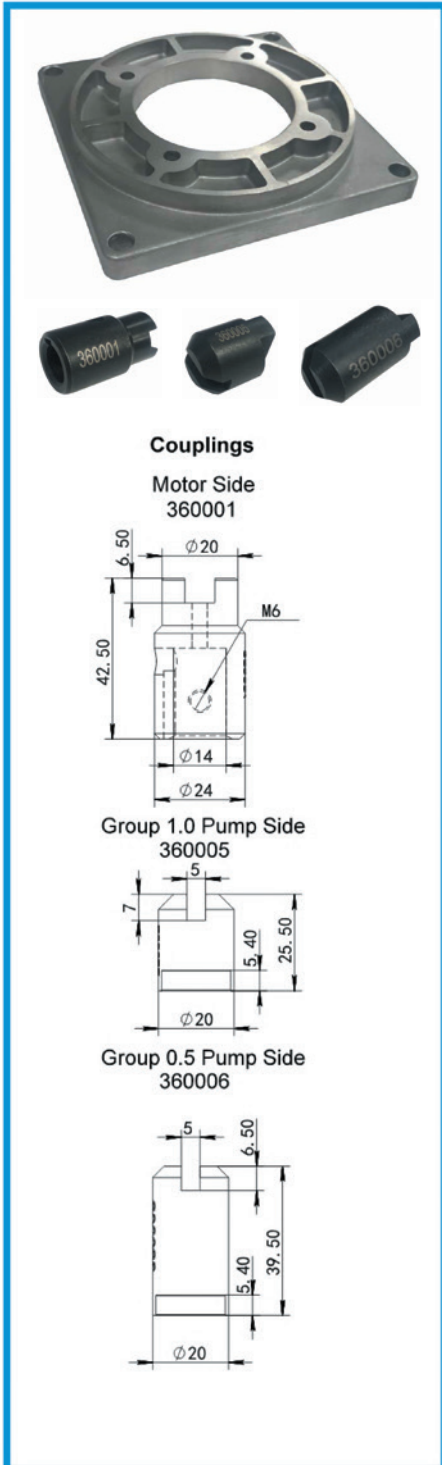
NUMBER	1	2	3	4	5	6
ITEM	Group 1.0 Pump	PSP-*	F65	ZG38-89	RP-G14-*	RP-14-90

CENTRAL MANIFOLD & GROUP 0.5 PUMP ASSEMBLY GUIDE

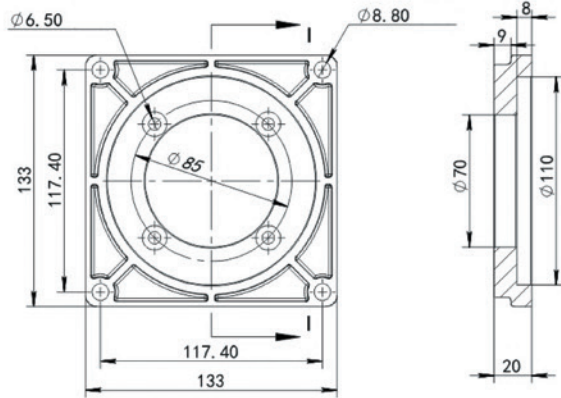


MANIFOLDS	WEIGHT
560001	0.07 KG

MOUNTING KIT FOR FRAME 71 B14 AC MOTORS

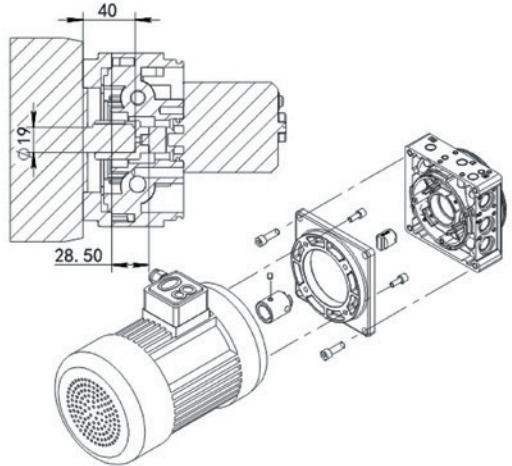
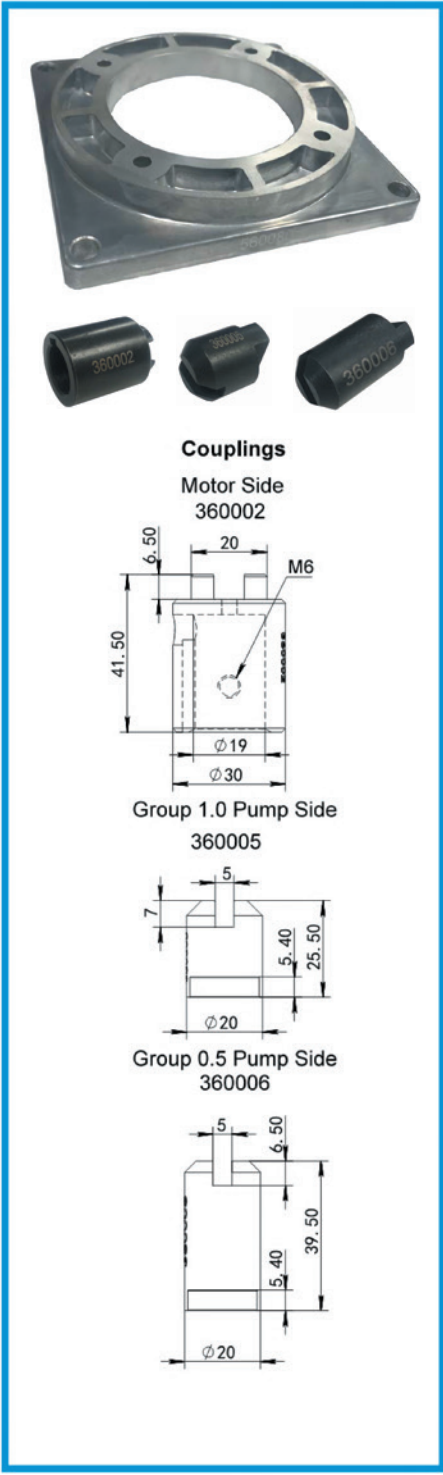


Aluminum Flange: 560071

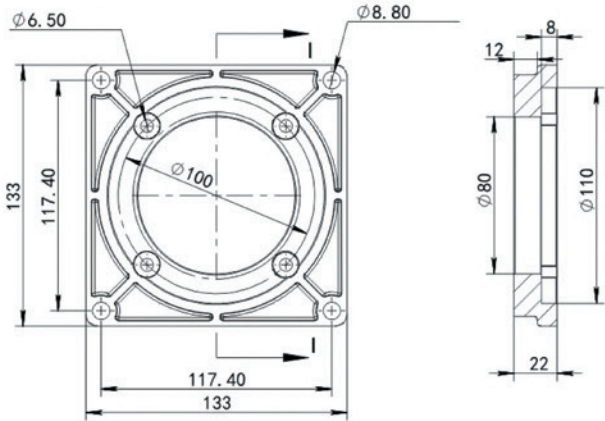


DESCRIPTION	PART NUMBER	WEIGHT (KG)
Motor Side Coupling	360001	0.095
Group 0.5 Pump Coupling	360006	0.080
Group 1.0 Pump Coupling	360005	0.050
Aluminium Flange	560071	0.30
Motor Flange Assembly Screw	4X DIN 912 M6X16	0.030
Manifold Flange Assembly Screw	4X DIN 912 M8X25	0.060
Coupling Screw	DIN 912 M6X8	-

MOUNTING KIT FOR FRAME 80 B14 AC MOTORS



Aluminum Flange: 560080



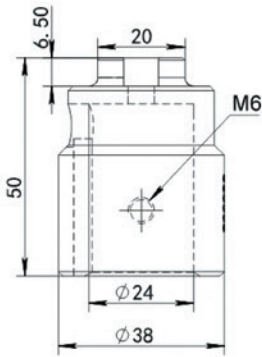
DESCRIPTION	PART NUMBER	WEIGHT (KG)
Motor Side Coupling	360002	0.125
Group 0.5 Pump Coupling	360006	0.080
Group 1.0 Pump Coupling	360005	0.050
Aluminium Flange	560080	0.310
Motor Flange Assembly Screw	4X DIN 912 M6X16	0.030
Manifold Flange Assembly Screw	4X DIN 912 M8X25	0.060
Coupling Screw	DIN 912 M6X8	-

MOUNTING KIT FOR FRAME 90 B14 AC MOTORS

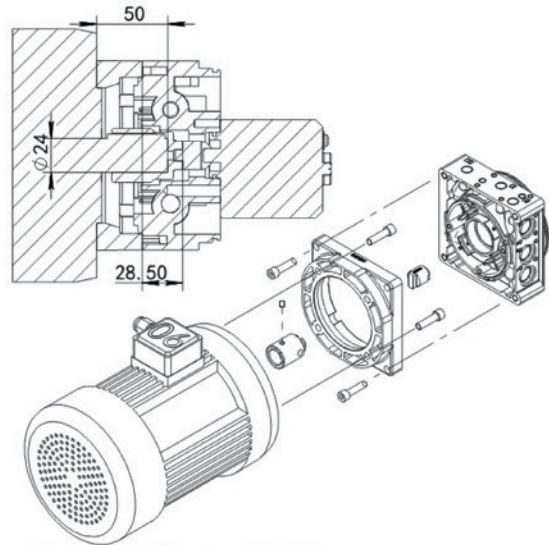
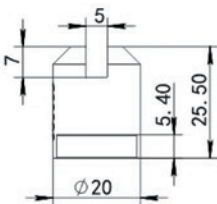


Couplings

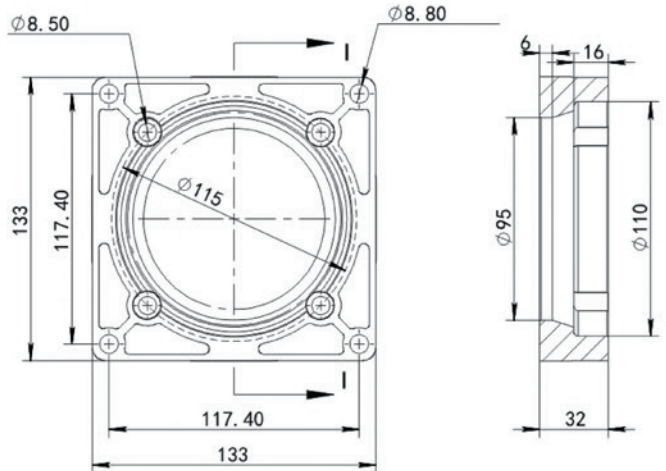
**Motor Side
360003**



**Group 1.0 Pump Side
360005**



Aluminum Flange: 560090



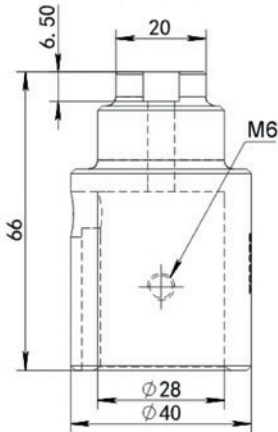
DESCRIPTION	PART NUMBER	WEIGHT (KG)
Motor Side Coupling	360003	0.220
Group 1.0 Pump Coupling	360005	0.050
Aluminium Flange	560090	0.390
Motor Flange Assembly Screw	4X DIN 912 M6X16	0.050
Manifold Flange Assembly Screw	4X DIN 912 M8X30	0.065
Coupling Screw	DIN 912 M6X8	-
Coupling Screw	DIN 912 M6X8	-

MOUNTING KIT FOR FRAME 100/112 B14 AC MOTORS

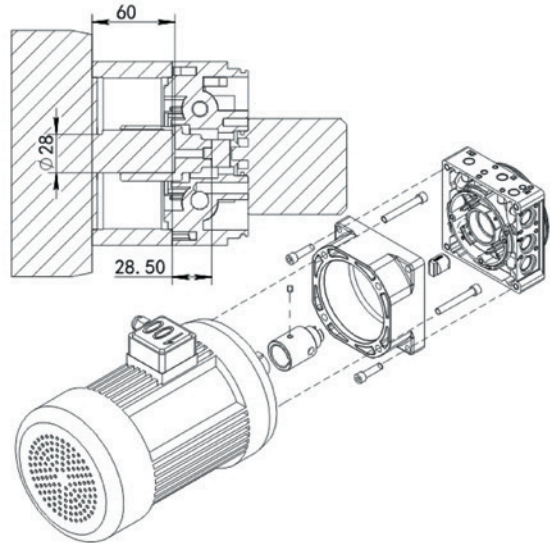
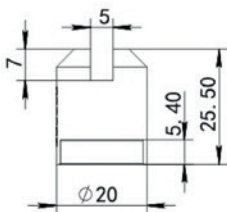


Couplings

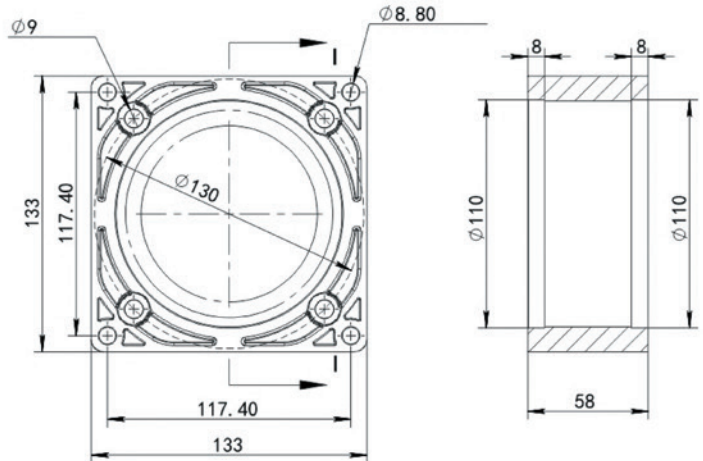
Motor Side
360004



Group 1.0 Pump Side
360005



Aluminum Flange: 560100


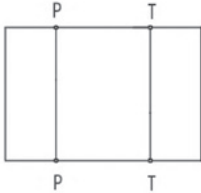
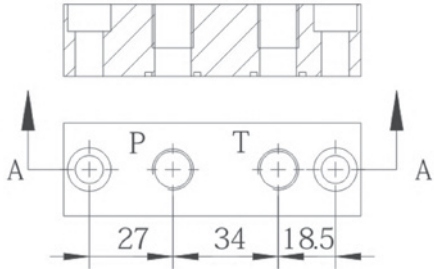

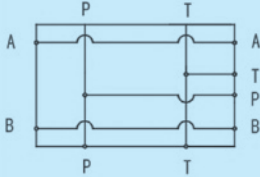
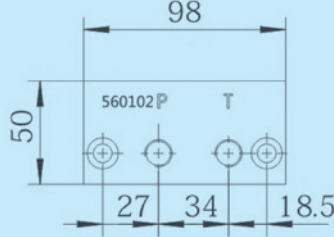
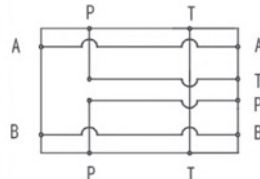
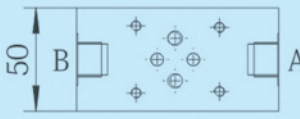
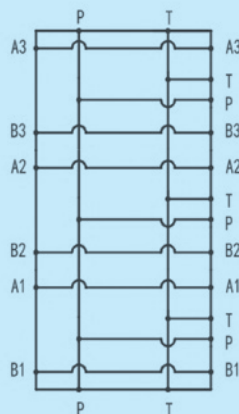
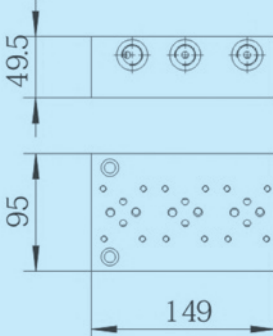


DESCRIPTION	PART NUMBER	WEIGHT (KG)
Motor Side Coupling	360004	0.310
Group 1.0 Pump Coupling	360005	0.050
Aluminium Flange	560100	0.700
Motor Flange Assembly Screw	4X DIN 912 M8X55	0.125
Manifold Flange Assembly Screw	4X DIN 912 M8X30	0.065
Coupling Screw	DIN 912 M6X8	-
Coupling Screw	DIN 912 M6X8	-

SUMMARY TABLE-MANIFOLD/PUMP/MOTOR COUPLING KITS

CODE	DESCRIPTION	SPOOL	DIMENSIONS
B14 AC Motors 71	360001 + 360006	Die Casting Manifold + 71 Flanges + 560001	Group 0.5 Pump
	360001 + 360005	Die Casting Manifold + 71 Flanges	Group 1.0 Pump
B14 AC Motors 80	360002 + 360006	Die Casting Manifold + 80 Flanges + 560001	Group 0.5 Pump
	360002 + 360005	Die Casting Manifold + 80 Flanges	Group 1.0 Pump
B14 AC Motors 90	360003 + 360006	Die Casting Manifold + 90 Flanges + 560001	Group 0.5 Pump
	360003 + 360005	Die Casting Manifold + 90 Flanges	Group 1.0 Pump
B14 AC Motors 100/112	360004 + 360006	Die Casting Manifold + 100/112 Flanges + 560001	Group 0.5 Pump
	360004 + 360005	Die Casting Manifold + 100/112 Flanges	Group 1.0 Pump
Integral AC Motors, Axis Length (29.6)	360006	Die Casting Manifold + 560001	Group 0.5 Pump
	360005	Die Casting Manifold	Group 1 Pump
	360015	500151 (Thickness: 70mm)	
Integral AC Motors, Axis Length (24.8)	360019	Die Casting Manifold + 560001	Group 0.5 Pump
	360018	Die Casting Manifold	Group 1.0 Pump
Integral DC Motors Ø 114	360008	Die Casting Manifold + 560001	Group 0.5 Pump
		Die Casting Manifold	Group 1.0 Pump
Integral DC Motors Ø 80	360009	Die Casting Manifold + 560001	Group 0.5 Pump
	360007	Die Casting Manifold	Group 1.0 Pump
	360033	500105 500115 500222 (Thickness: 55mm)	Group 0.5 Pump
	360029	Other Manifold (Thickness: 49/50mm)	Group 1.0 Pump
Integral AC Motors / DC Motors Ø 114 (Nine Tooth Bond)	C57	Other Manifold + 560001 (Thickness: 49/50mm)	Group 0.5 Pump
	C46	500216 (Thickness: 60mm)	Group 1.0 Pump
		Other Manifold: (Thickness: 49/50)	Group 1.0 Pump

STACKING MANIFOLD BLOCK

CODE	DESCRIPTION	SPOOL	DIMENSIONS
560010	SPACER MANIFOLD ADAPTOR 		
560102	PARALLEL MANIFOLD BLOCK 		
560104	MANIFOLD BLOCK IN SERIES		 <p>A & B Port: 3/8" BSPP Other Porting Is Available</p>
560306	PARALLEL MANIFOLD BLOCK		 <p>A1, A2, A3, B1, B2, B3 Port: 3/8" BSPP Other Porting Is Available</p>

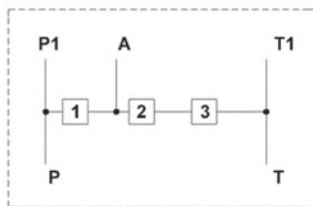
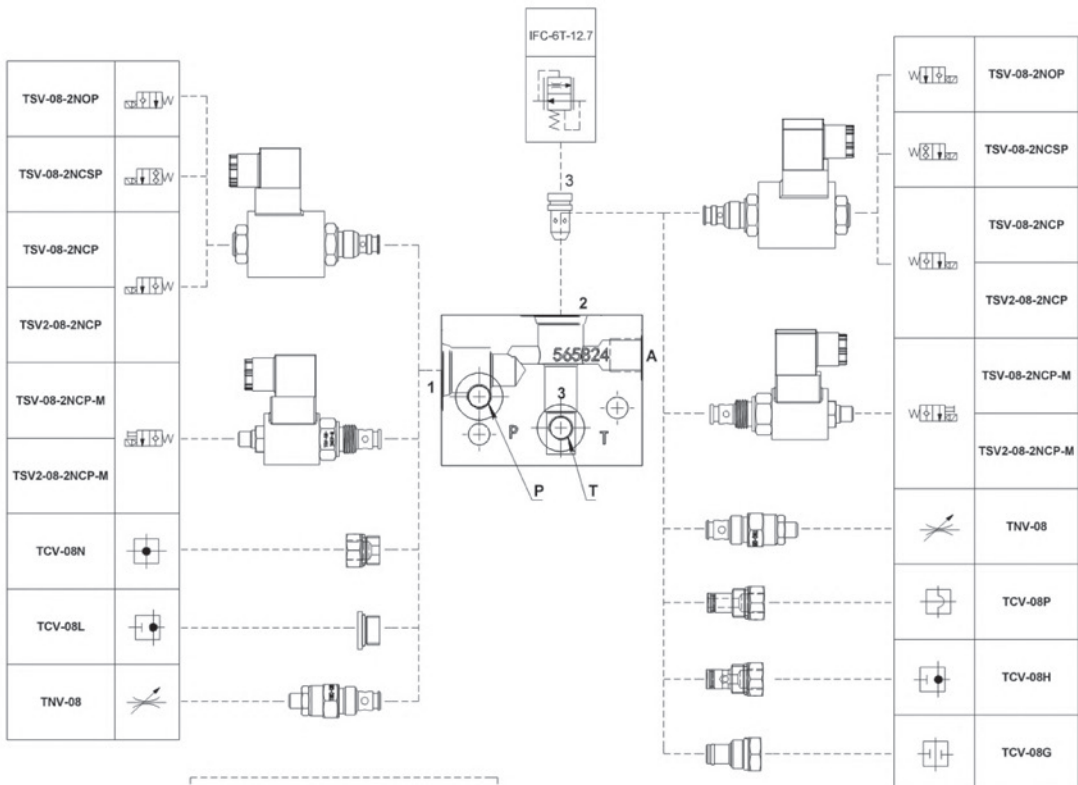
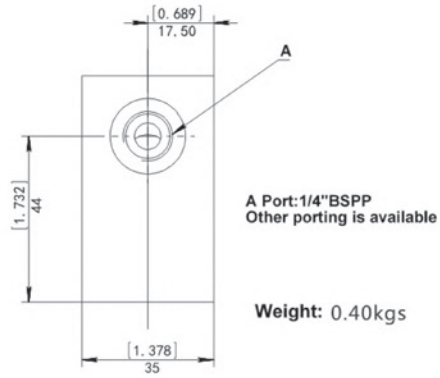
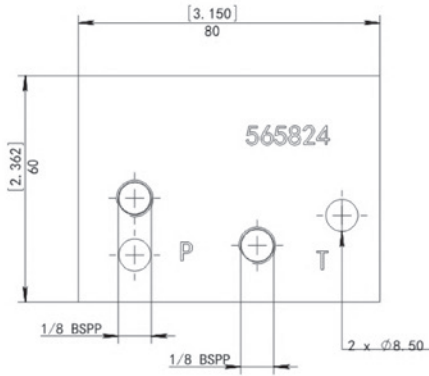
STACKING MANIFOLD BLOCK

CODE	DESCRIPTION	SPOOL	DIMENSIONS
565006	MOTOR SIDE 90° ROTATION MANIFOLD		<p>P & T Port: 1/8" BSPP • P1 & T1 Port: 1/4" BSPP Dimensions in MM (Inches) • Weight: 0.44 KG</p>
565010	SPACER MANIFOLD ADAPTOR		<p>Dimensions in MM (Inches) • Weight: 0.25 KG</p>
565103	NG6 (CETOP 3) MODULAR MANIFOLDS, PARALLEL CONNECTION, REAR PORTS		<p>P & T Port: 1/8" BSPP • A & B: 3/8" BSPP Other Porting Is Available Dimensions in MM (Inches) • Weight: 0.58 KG</p>
565102	NG6 (CETOP 3) MODULAR MANIFOLDS, PARALLEL CONNECTION, LATERAL PORTS		<p>P & T Port: 1/8" BSPP • A & B: 3/8" BSPP Other Porting Is Available Dimensions in MM (Inches) • Weight: 0.58 KG</p>

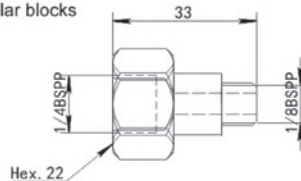
STACKING MANIFOLD BLOCK

CODE	DESCRIPTION	SPOOL	DIMENSIONS
565104	NG6 (CETOP 3) MODULAR MANIFOLDS SERIES CONNECTION LATERAL PORTS		<p>P & T Port: 1/8" BSPP • A & B: 3/8" BSPP Other Porting Is Available Dimensions in MM (Inches) • Weight: 0.60 KG</p>
565821	MODULAR MANIFOLD FOR 3/4 – 16 UNF CARTRIDGES, TWO WAY, TWO POSITION		<p>P & T Port: 1/8" BSPP • P1 & C1 Port: 1/4" BSPP C2 Port: 3/8" BSPP • Other Porting Is Available Dimensions in MM (Inches) • Weight: 0.42 KG</p>
565827	MODULAR MANIFOLD FOR 3/4 – 16 UNF CARTRIDGES, THREE WAY, TWO POSITION		<p>P & T & A Port: 1/8" BSPP • Other Port: 1/4" BSPP Other Porting Is Available Dimensions in MM (Inches) • Weight: 0.40 KG</p>
TCV-08-84	OPTING P PORT: P PORT 1/4" BSPP FOR MODULAR BLOCKS		

STACKING MANIFOLD BLOCK



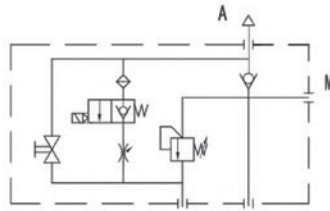
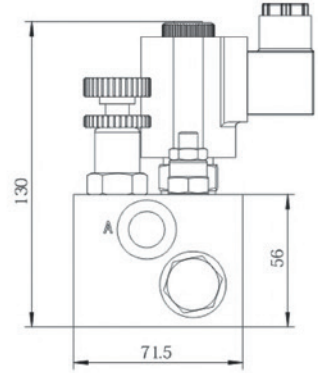
Opting P port:
 TCV-08-84
 P port 1/4BSPP
 for modular blocks



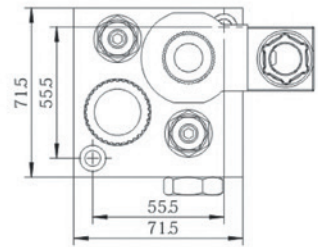
STACKING MANIFOLD BLOCK VALVES

CODE	DESCRIPTION	SPOOL	DIMENSIONS
569061-A	Sandwich Type Pilot Operated Check Valves A Port		
569061-B	Sandwich Type Pilot Operated Check Valves B Port		
569061-W	Sandwich Type Pilot Operated Check Valves A + B Port		<p>Manifold: 569061</p> <p>Weight: 0.40kgs</p> <p>Dimensions in mm [inches]</p>
569062-A	A Side Sandwich Type Pilot Operated Check Valves with Lateral Ports		
569062-B	B Side Sandwich Type Pilot Operated Check Valves with Lateral Ports		
569062-W	A + B Side Sandwich Type Pilot Operated Check Valves with Lateral Ports		<p>Manifold: 569062</p> <p>Weight: 0.45kgs</p> <p>Dimensions in mm [inches]</p>

HYDRAULIC LIFT VALVE



HYDRAULIC CIRCUIT



CODE	VOLTAGE
KVS-02-24V	24V



ACCESSORIES

DC MOTOR RELAY

CODE	VOLTAGE	WORKING CURRENT	DIMENSIONS		
12VRELAY	12V DC	150A			
24VRELAY	24V DC	150A			

DC MOTOR PROTECTION COVER

CODE	DIMENSIONS		
MC-02			

COUPLING

CODE	LENGTH	DIMENSIONS		
C46	46MM			
C57	57MM			

CUSTOM COUPLING

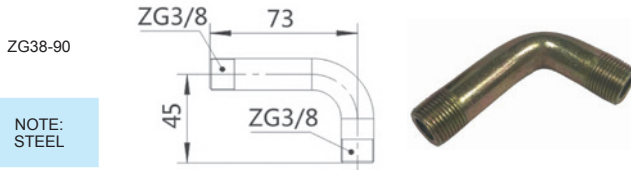
CODE	LENGTH	DIMENSIONS		
360029	29MM			
360033	33MM			

OTHER COUPLINGS ARE AVAILABLE

ACCESSORIES

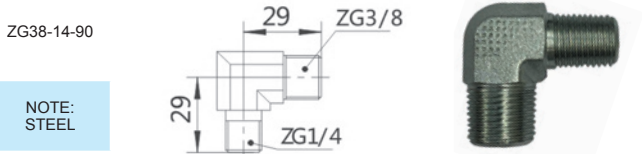
SUCTION PIPE

CODE	DIMENSIONS
------	------------



NOTE:
STEEL

CODE	DIMENSIONS
------	------------

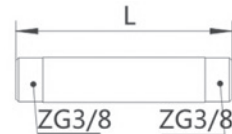


NOTE:
STEEL

PLASTIC SUCTION PIPE

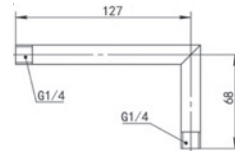
CODE	LENGTH
------	--------

PSP-40	40MM
PSP-80	80MM
PSP-100	100MM
PSP-145	145MM
PSP-160	160MM
PSP-200	200MM
PSP-240	240MM
PSP-315	315MM
PSP-400	400MM
OTHER LENGTHS ARE AVAILABLE	



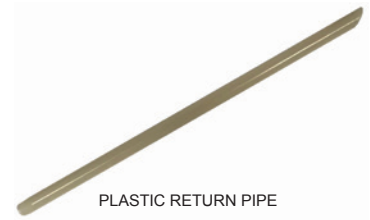
RETURN PIPE

CODE
RP-14-90
NOTE: PLASTIC



RETURN PIPE

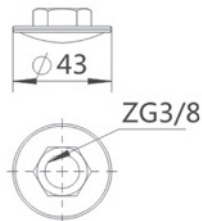
CODE	LENGTH
RP-G14-120	120MM
RP-G14-180	180MM
RP-G14-280	280MM
RP-G14-320	320MM
OTHER LENGTHS ARE AVAILABLE	



FILTER

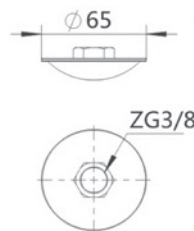
CODE

F43



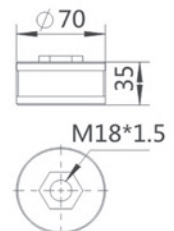
CODE

F65



CODE

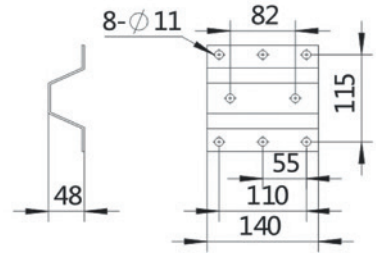
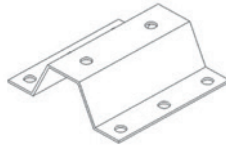
F70



MOUNTING BRACKET

CODE

TGT-M82-48



BUTTON REMOTE PENDANT

CODE

KG-3

DESCRIPTION

3 Wire Single Acting Pendant with
4 Metre Cable Detachable



CODE

KG-4

DESCRIPTION

4 Wire Double Acting Pendant with
4 Metre Cable Detachable



CODE

KG-6

DESCRIPTION

6 Wire Double Acting Pendant with
4 Metre Cable Detachable



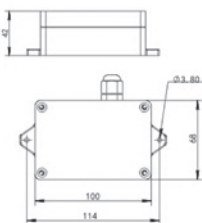
WIRELESS REMOTE CONTROL PENDANT

CODE

WRCP-2

30 METRES
RANGE

Single / double action wireless remote control



Two button remote
control switch.
SUIT WITH DC12V
DC24V

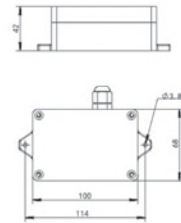


CODE

WRCP-4

30 METRES
RANGE

2 x double action wireless remote control



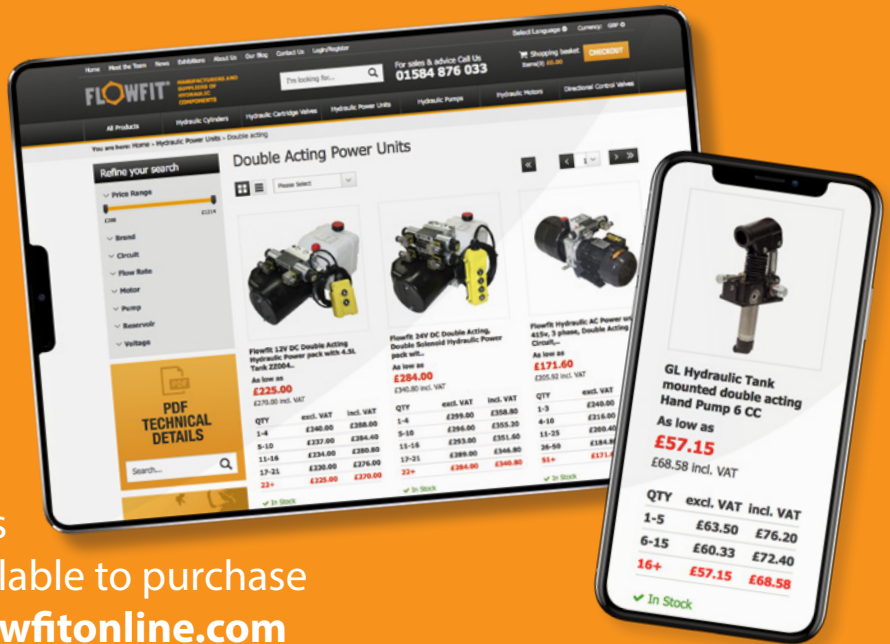
Four button remote
control switch.
SUIT WITH DC12V
DC24V





SECURE ONLINE ORDERING WITH FREE DELIVERY

All products in this catalogue are available to purchase online at www.flowfitonline.com



**100%
SECURE
SHOPPING**

**HASSLE FREE
DELIVERY
DIRECT TO
YOUR DOOR**

**NO
QUIBBLE
GUARANTEE**

**24
HOUR
SHOPPING**

**UK
BASED
CALL CENTRE**

Selected products and special offers can also be found on our ebay store.



OVERSEAS CUSTOMERS

All items in this catalogue and at www.flowfitonline.com are available to overseas customers. Please contact us for shipping costs.

Follow us on



SHOP NOW OPEN 6 DAYS A WEEK



Harrier Fluid Power Ltd T/A Flowfit, Parys Road, Ludlow Business Park, Ludlow, Shropshire SY8 1XY

Telephone: +44 (0)1584 876 033 Fax: +44 (0)1584 876 044

Email: sales@flowfitonline.com



Every effort has been made to ensure that the information in this catalogue is correct. However, we reserve the right to introduce changes without prior notice. This catalogue supersedes all previous catalogues.

