

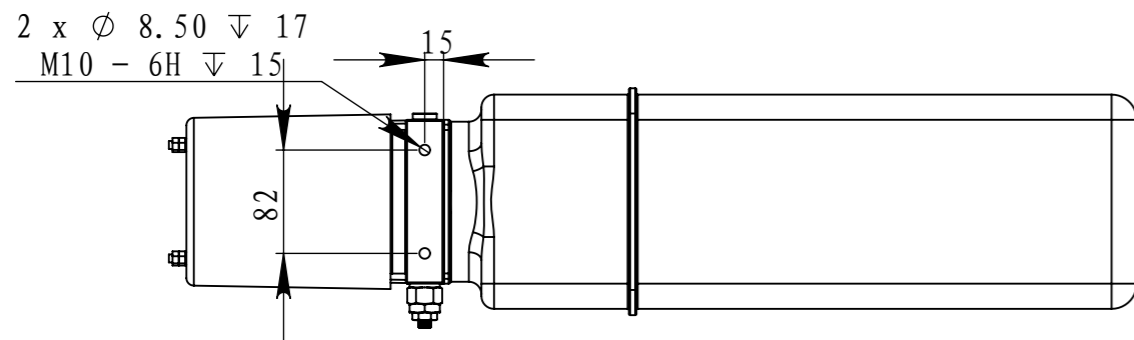
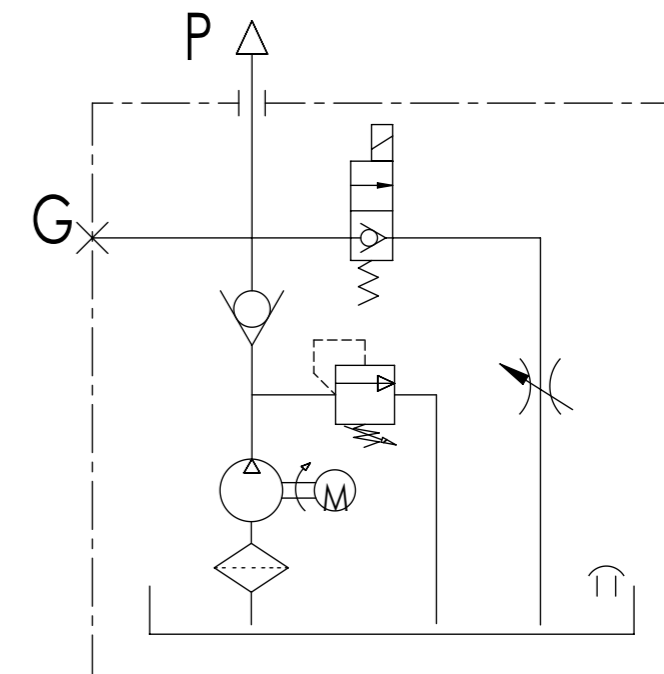
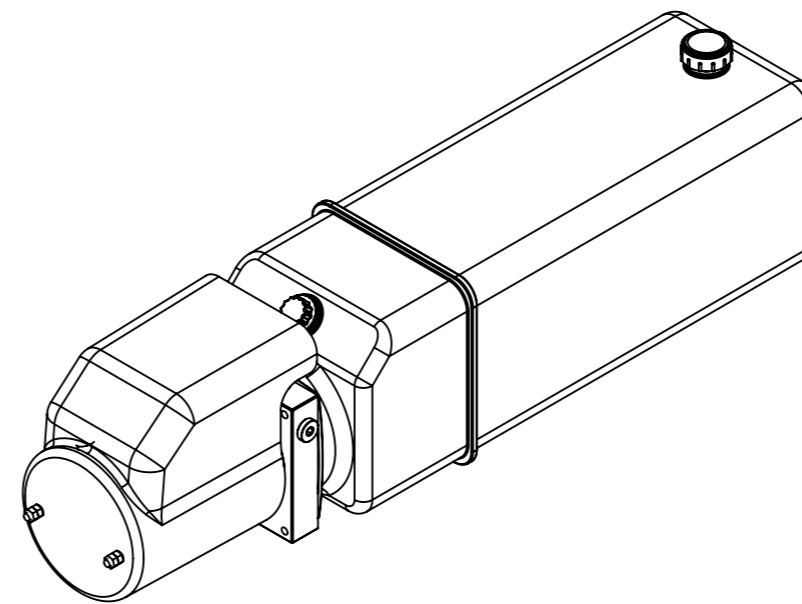
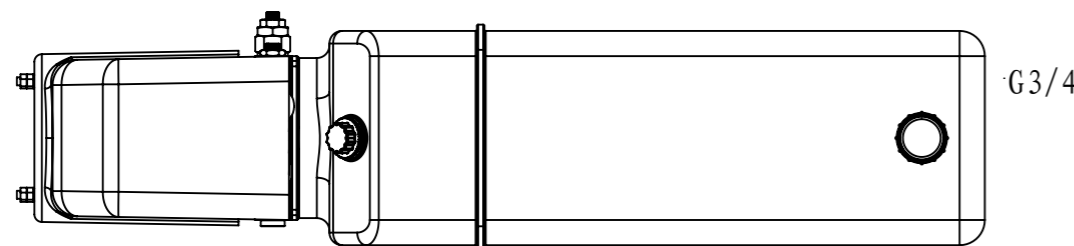
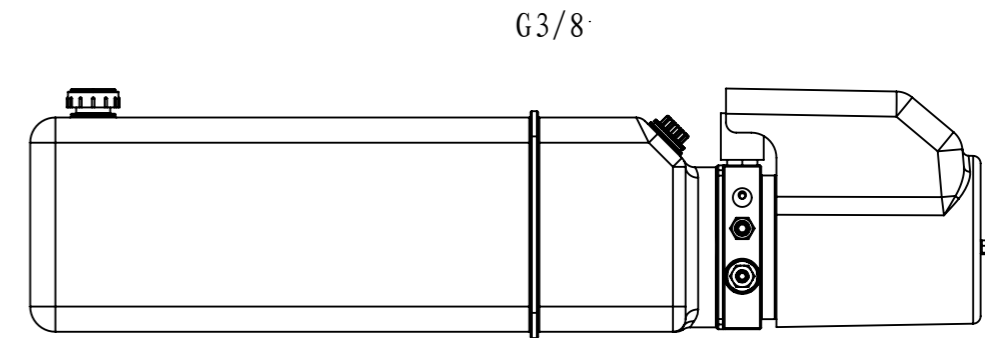
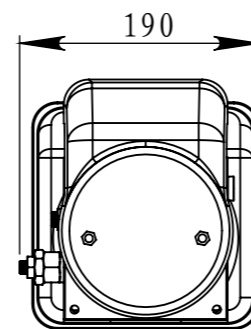
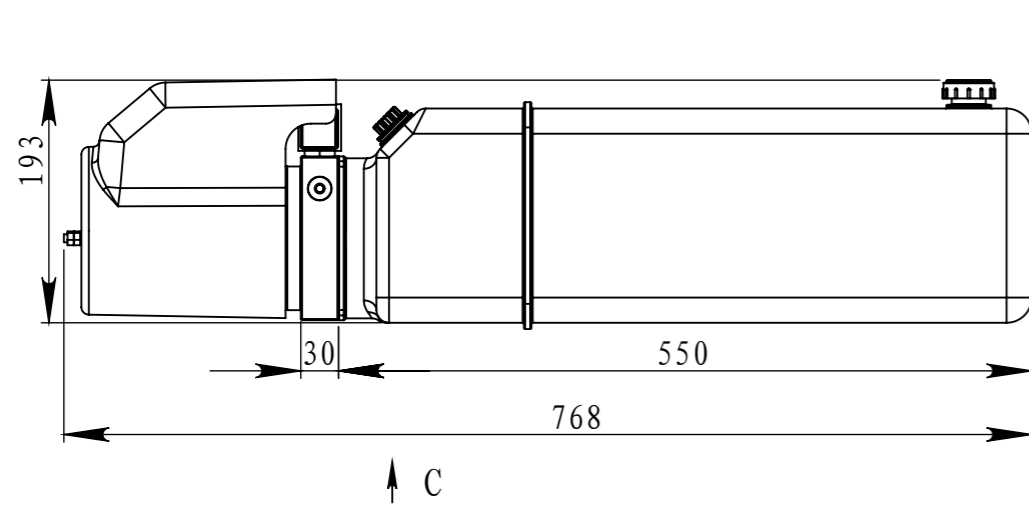
12VDC 1.6KW 2500rpm	12VDC	2.1cc/r	13L	160 bar	G3/8"
Motor	Lowering Coil Voltage	GearPump	Oil Tank	System Pressure	

# FLOWFIT®

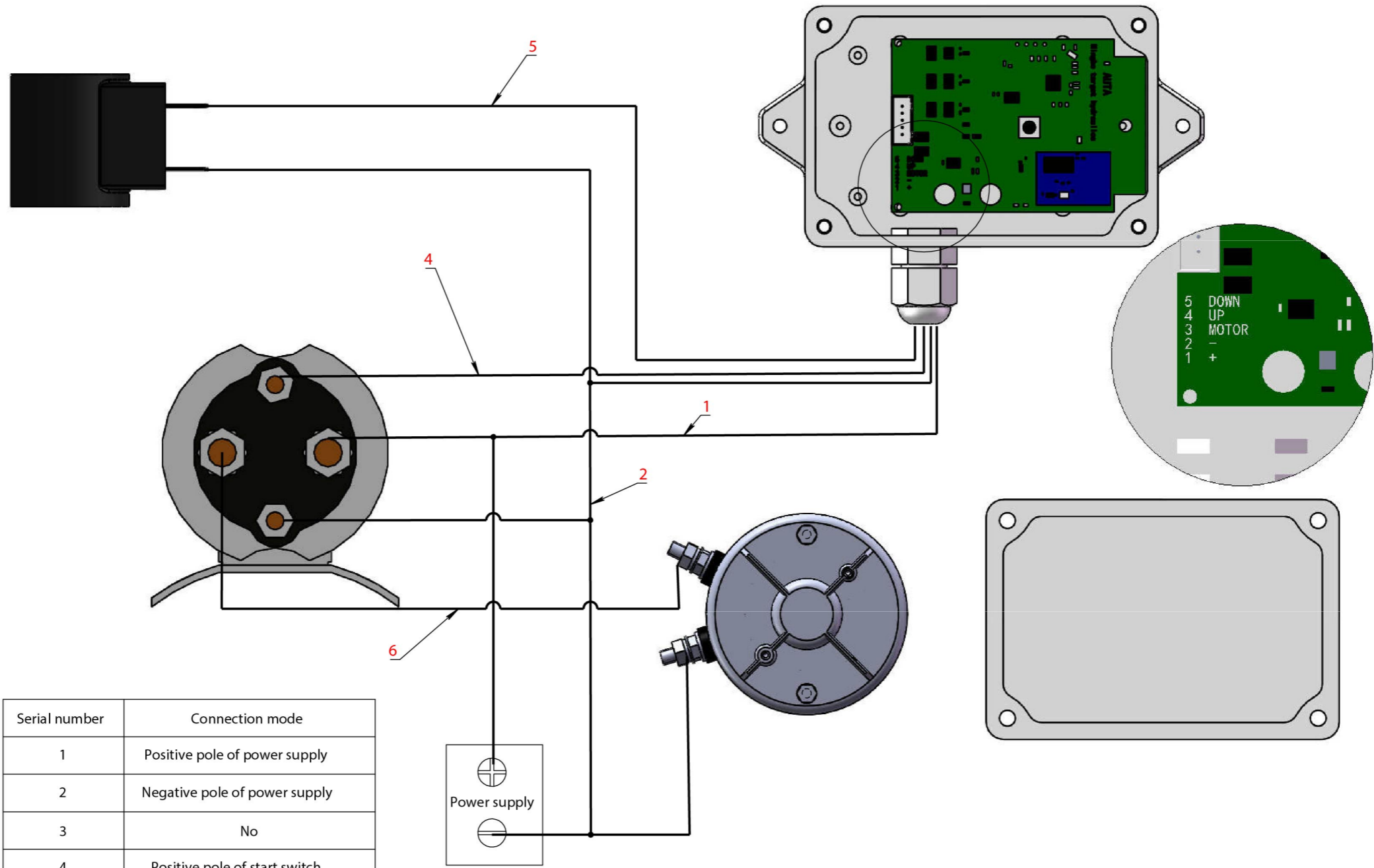


**MANUFACTURERS AND SUPPLIERS  
OF HYDRAULIC COMPONENTS**

Part Number: **ZZ010637**



**Everything Hydraulic**



Serial number	Connection mode
1	Positive pole of power supply
2	Negative pole of power supply
3	No
4	Positive pole of start switch
5	Coil positive pole
6	Motor connection line(16FC)