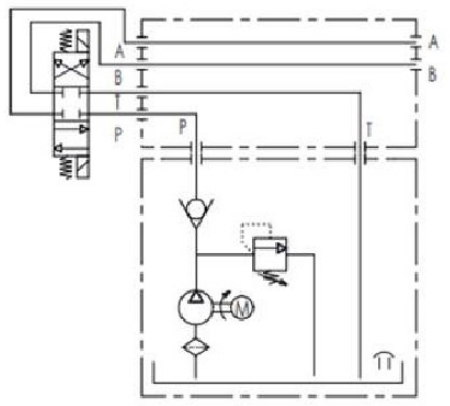
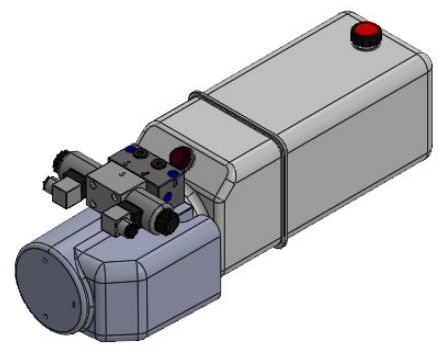
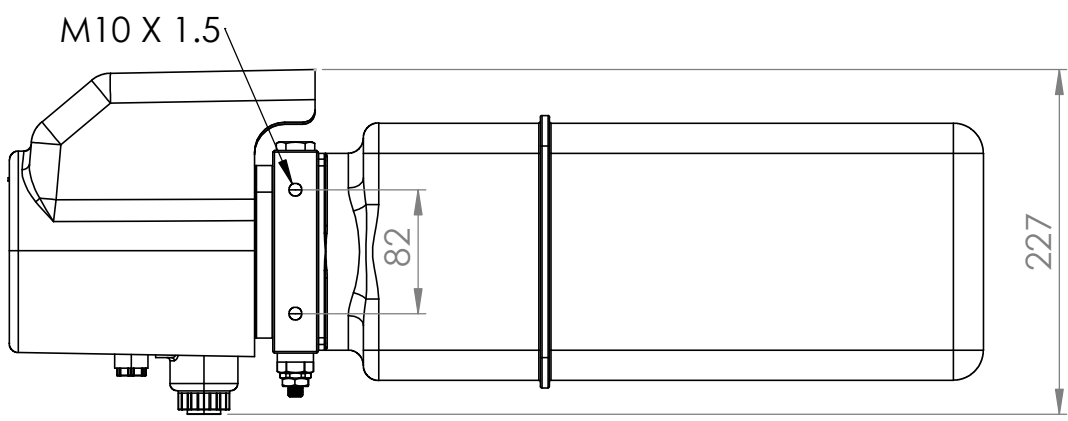
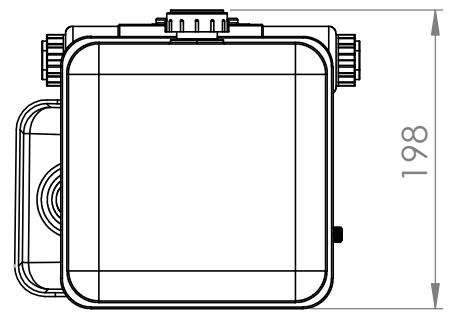
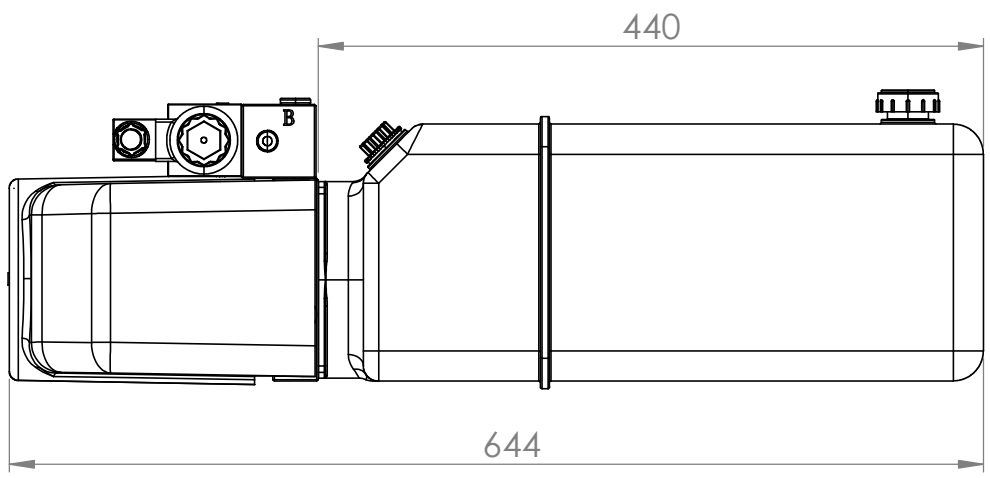


6 5 4 3 2 1



DC12/24V 1.6KW
 2500RPM PUMP - 2.1CC
 TANK - 11LTR
 PORT SIZE - 3/8" BSP

DWG NO.

A4

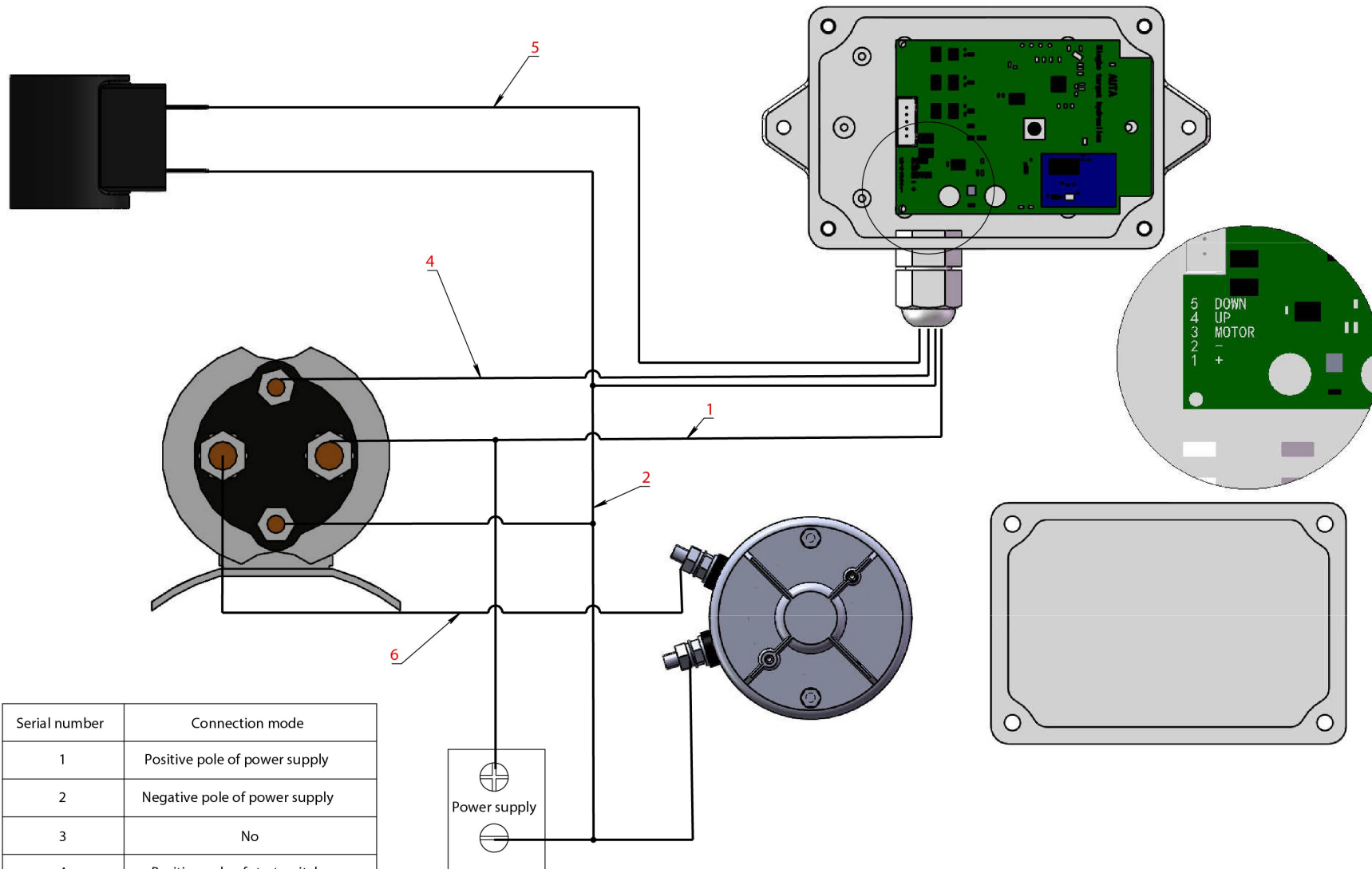
SCALE 1:5

SHEET 1 OF 1

6 5 4 3 2 1

D
C
B
A

D
C
B
A



Serial number	Connection mode
1	Positive pole of power supply
2	Negative pole of power supply
3	No
4	Positive pole of start switch
5	Coil positive pole
6	Motor connection line(16FC)