



# 103 SERIES

## ISO-B

CARBON STEEL /  
AISI 316 / BRASS



Manufactured according to ISO 7241-B norm.

Poppet Valve closing system.

BSP, NPTF, SAE/ORB threads. Other threads available upon request.

### • Materials

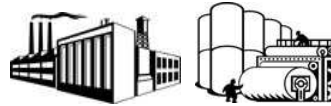
	CARBON STEEL	STAINLESS STEEL	BRASS
<b>Body</b>	Carbon Steel EN-10277-3	AISI 316	Brass CuZn39Pb3
<b>Seals</b>	NBR, Viton or EPDM	NBR, Viton or EPDM	NBR, Viton or EPDM
<b>Back-up-ring</b>	PTFE	PTFE	PTFE
<b>Balls</b>	AISI 1010/1015	AISI316 W. 14401	AISI316 W. 14401
<b>Springs</b>	Carbon Steel DIN 17233/84(B)	AISI302 DIN 17224	AISI302 DIN 17224

### • Working temperature (Seals)

	NBR	Viton	EPDM
	+100°C	+200°C	+150°C
	-30°C	-10°C	-40°C

### • Sectors

Carbon Steel → Industrial.



Stainless Steel → Chemical, Industrial, Offshore.



• **Applications:** Designed for Oil hydraulic Applications according to European Directive 97.23.EC

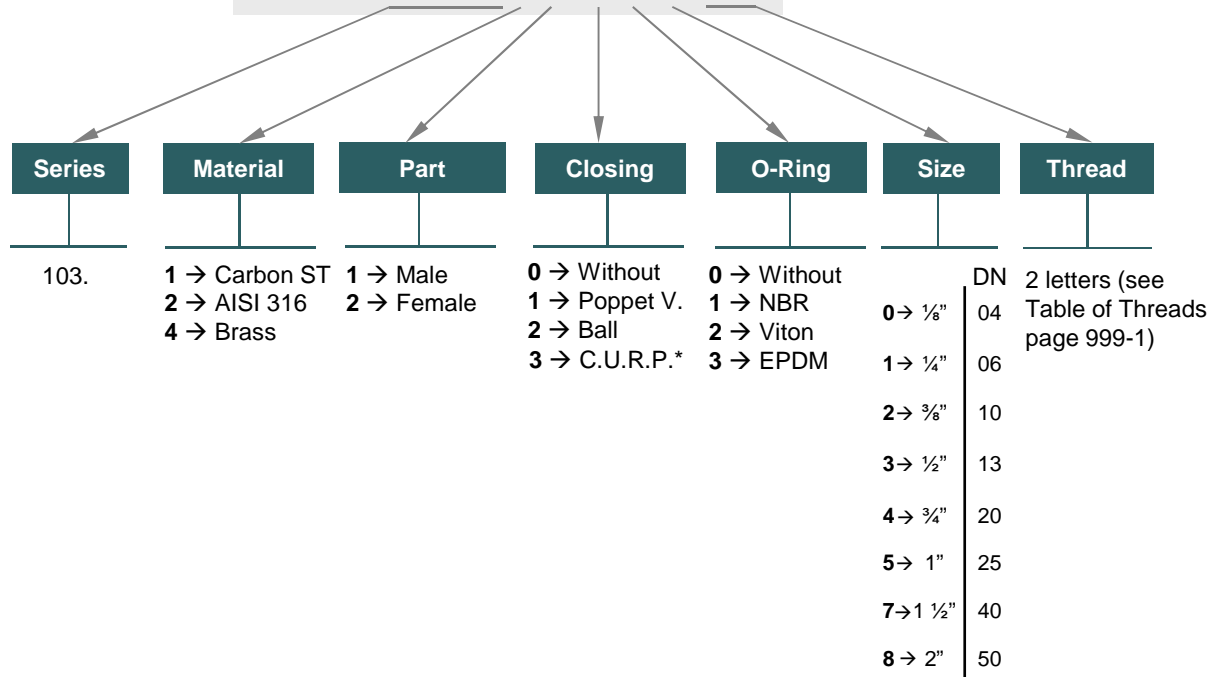
### • Equivalence

FASTER H      AEROQUIP FD45  
PARKER 60     SNAP-TITE 72

### MODEL STRUCTURE

Example;

# 103.22112 BC



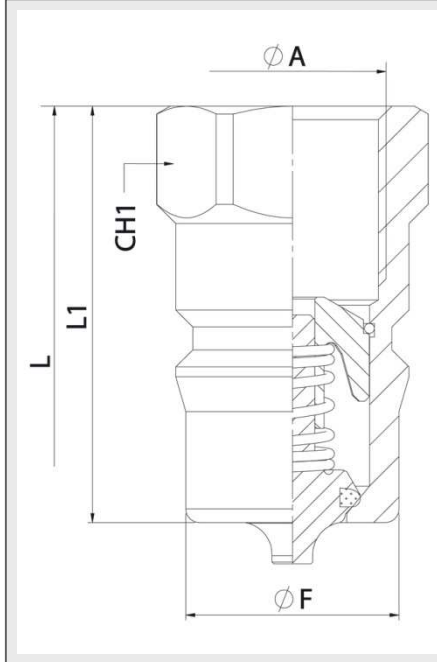
\* DN13 available only.



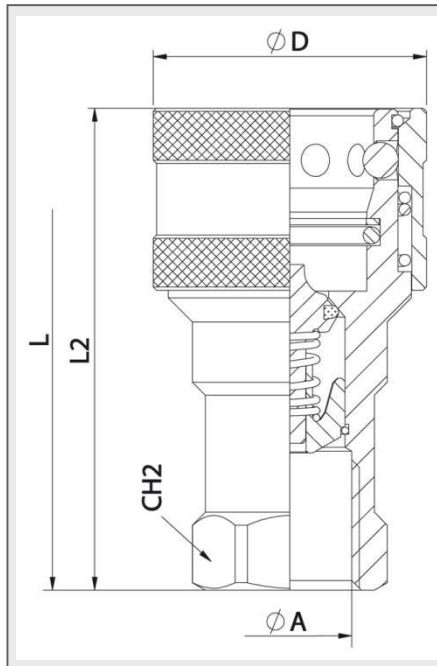


# 103 SERIES

## ISO-B CARBON STEEL



MALE				
DN	CH1	L1	ØF	L
04	14	30	10,90	60
06	19	36	14,20	72
10	24	40,50	19,10	81
13	27	46	23,55	92
20	36	56	31,45	112
25	41	63	37,80	126



FEMALE				
DN	CH2	L2	ØD	L
04	14	49	22	60
06	19	57,70	27	72
10	24	65,50	35	81
13	27	74	42	92
20	36	90	52	112
25	41	103	60	126

### STANDARD CARBON STEEL MODELS

DN	ØA	MALE	FEMALE	
04	1/8" BSP	103.11110AA	103.12110AA	400Bar
	1/8" NPTF	103.11110BA	103.12110BA	
06	1/4" BSP	103.11111AB	103.12111AB	380Bar
	1/4" NPTF	103.11111BB	103.12111BB	
10	3/8" BSP	103.11112AC	103.12112AC	350Bar
	3/8" NPTF	103.11112BC	103.12112BC	
	3/4"-16ORB	103.11112GF	103.12112GF	
13	1/2" BSP	103.11113AD	103.12113AD	320Bar
	1/2" NPTF	103.11113BD	103.12113BD	
	3/4" - 16ORB	103.11113GF	103.12113GF	
20	7/8" 14ORB	103.11113GH	103.12113GH	300Bar
	3/4" BSP	103.11114AE	103.12114AE	
	3/4" NPTF	103.11114BE	103.12114BE	
25	1 1/16"-12ORB	103.11114GK	103.12114GK	280Bar
	1" BSP	103.11115AF	103.12115AF	
	1" NPTF	103.11115BF	103.12115BF	
	1 5/16"-12ORB	103.11115GO	103.12115GO	



# 103 SERIES

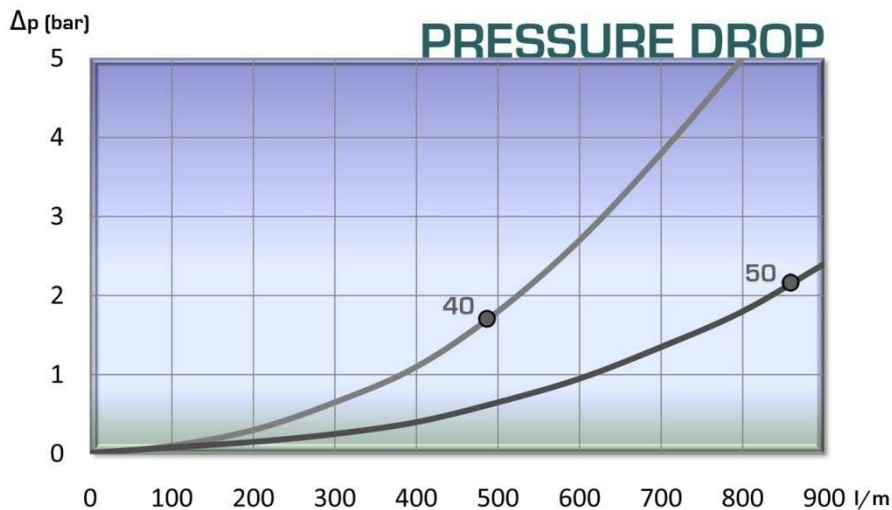
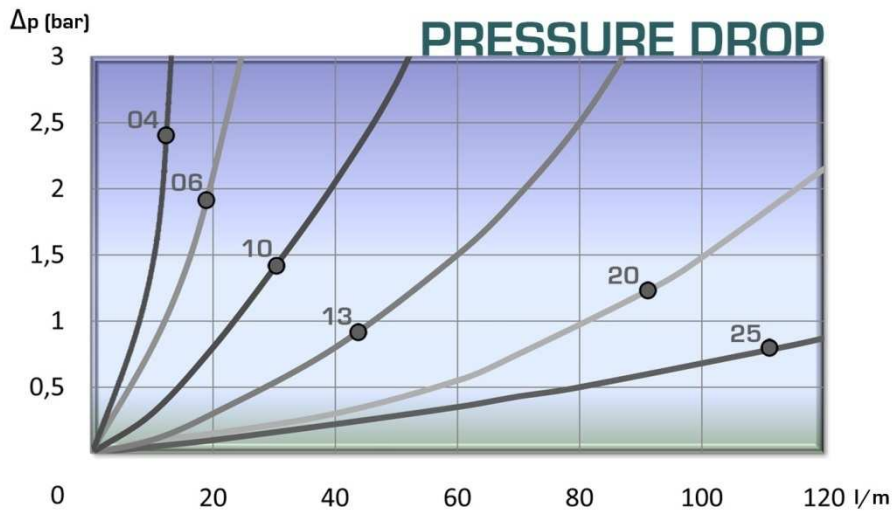
## ISO-B CARBON STEEL



### TECHNICAL DATA

DN	Rated Flow	Min Burst Pressure (bar)			Max. Working Pressure *
		Male	Female	Coupled	
04	7 l/m	1650	1750	1600	400 bar
06	15 l/m	1650	1800	1520	380 bar
10	35 l/m	1580	1580	1400	350 bar
13	47 l/m	1310	1450	1280	320 bar
20	93 l/m	1310	1380	1200	300 bar
25	118 l/m	1200	1400	1120	280 bar
40	480 l/m	550	560	560	140 bar
50	890 l/m	370	410	400	100 bar

\* Safety factor 1:4  
Data of Carbon Steel models



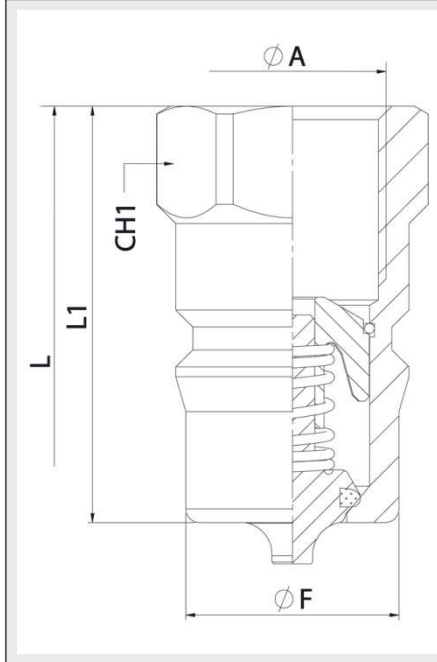
**103-3**



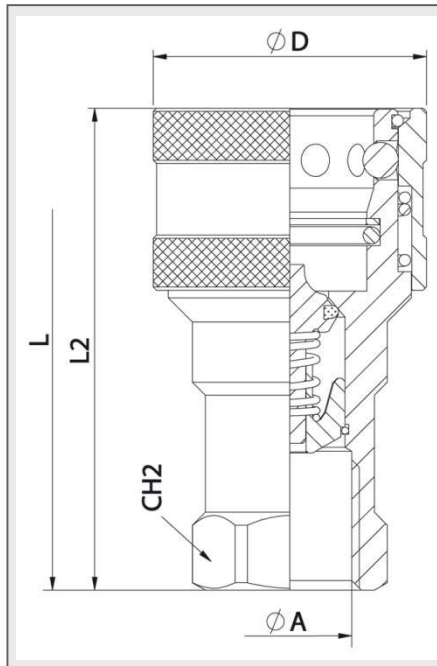


# 103 SERIES

## ISO-B AISI 316



MALE				
DN	CH1	L1	ØF	L
04	14	30	10,90	60
06	19	36	14,20	72
10	24	40,50	19,10	81
13	27	46	23,55	92
20	36	56	31,45	112
25	41	63	37,80	126



FEMALE				
DN	CH2	L2	ØD	L
04	14	49	22	60
06	19	57,70	27	72
10	24	65,50	35	81
13	27	74	42	92
20	36	90	52	112
25	41	103	60	126

### STANDARD *AISI 316* MODELS

DN	ØA	MALE	FEMALE	
04	1/8" BSP	103.21120AA	103.22120AA	320Bar
	1/8" NPTF	103.21120BA	103.22120BA	
06	1/4" BSP	103.21121AB	103.22121AB	280Bar
	1/4" NPTF	103.21121BB	103.22121BB	
10	3/8" BSP	103.21122AC	103.22122AC	260Bar
	3/8" NPTF	103.21122BC	103.22122BC	
	3/4"-16ORB	Upon request		
	1/2" BSP	103.21123AD	103.22123AD	
13	1/2" NPTF	103.21123BD	103.22123BD	260Bar
	3/4" - 16ORB	Upon request		
	7/8" 14ORB	Upon request		
20	3/4" BSP	103.21124AE	103.22124AE	210Bar
	3/4" NPTF	103.21124BE	103.22124BE	
	1 1/16"-12ORB	Upon request		
25	1" BSP	103.21125AF	103.22125AF	210Bar
	1" NPTF	103.21125BF	103.22125BF	
	1 5/16"-12ORB	Upon request		



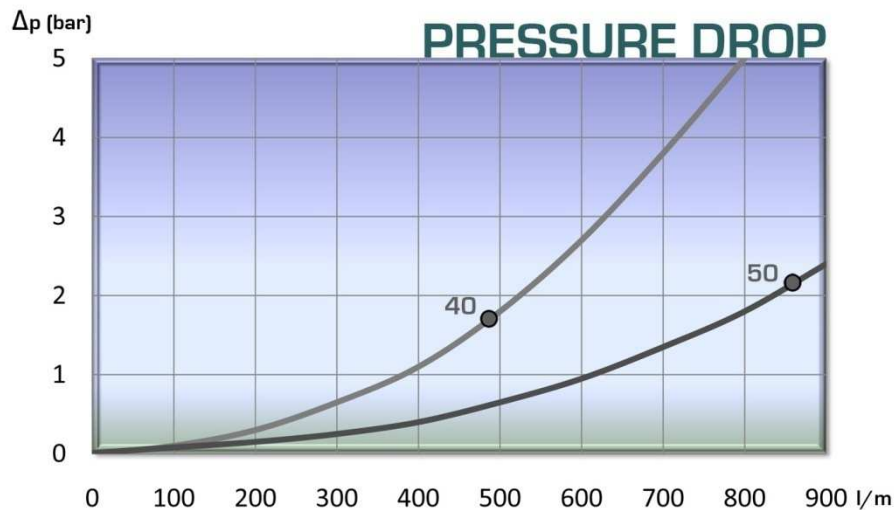
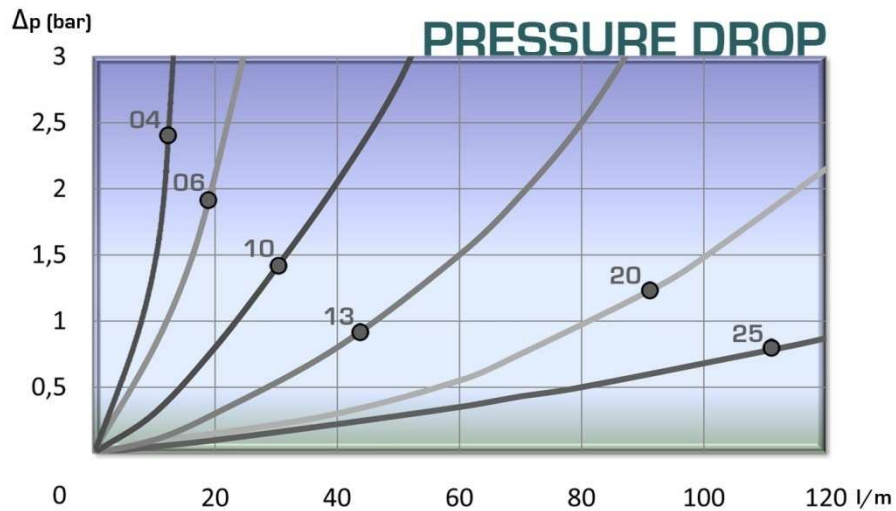
# 103 SERIES

## ISO-B STAINLESS STEEL



### TECHNICAL DATA

DN	Rated Flow	Min. Burst Pressure (Bar)			Max. Working Pressure (Bar)
		Male	Female	Coupled	Safety Factor 1:4
04	7 l/min	1300	1300	1325	320
06	15 l/min	1150	1200	1250	280
10	35 l/min	1060	1075	1200	260
13	47 l/min	1050	1150	1200	260
20	93 l/min	855	875	900	210
25	118 l/min	850	875	900	210
40	480 l/min	480	500	600	120
50	890 l/min	405	415	550	100



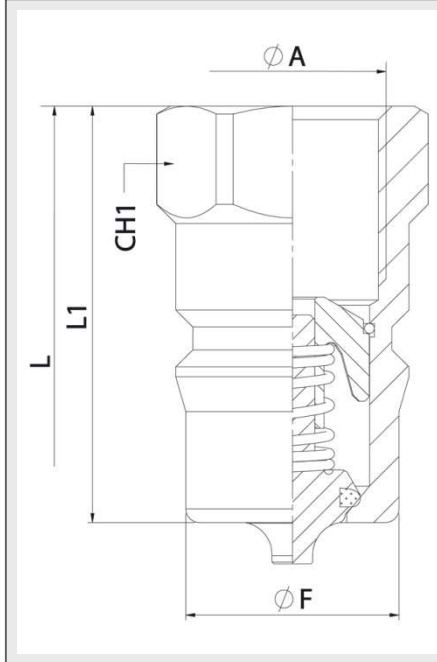
**103-5**





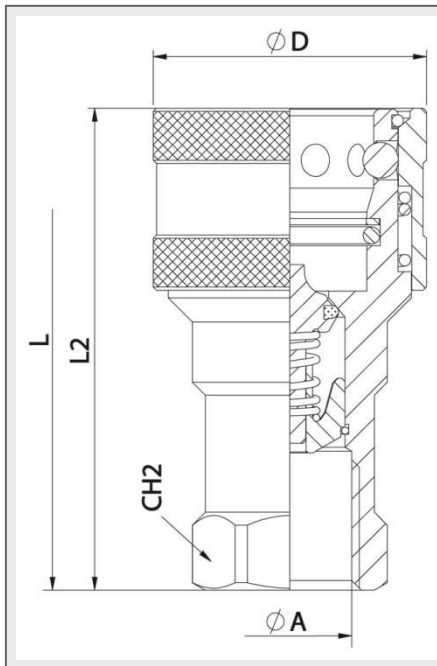
# 103 SERIES

## ISO-B BRASS

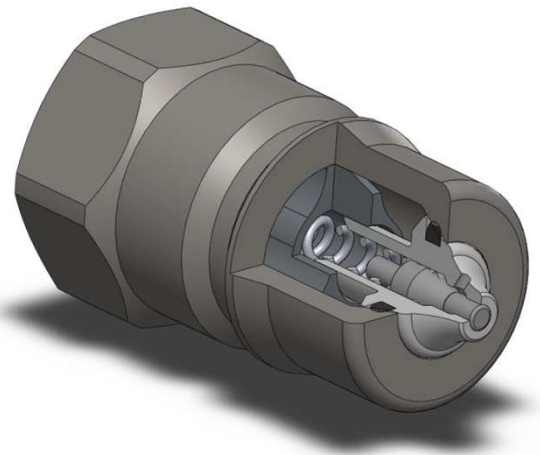


MALE				
DN	CH1	L1	ØF	L
04	14	30	10,90	60
06	19	36	14,20	72
10	24	40,50	19,10	81
13	27	46	23,55	92
20	36	56	31,45	112
25	41	63	37,80	126

STANDARD BRASS MODELS				
DN	ØA	MALE	FEMALE	
04	1/8" BSP	103.41120AA	103.42120AA	250Bar
	1/8" NPTF	103.41120BA	103.42120BA	
06	1/4" BSP	103.41121AB	103.42121AB	200Bar
	1/4" NPTF	103.41121BB	103.42121BB	
10	3/8" BSP	103.41122AC	103.42122AC	200Bar
	3/8" NPTF	103.41122BC	103.42122BC	
	3/4"-16ORB	Upon request		
	1/2" BSP	103.41123AD	103.42123AD	
13	1/2" NPTF	103.41123BD	103.42123BD	200Bar
	3/4" - 16ORB	Upon request		
	7/8" 14ORB	Upon request		
20	3/4" BSP	103.41124AE	103.42124AE	150Bar
	3/4" NPTF	103.41124BE	103.42124BE	
	1 1/16"-12ORB	Upon request		
25	1" BSP	103.41125AF	103.42125AF	150Bar
	1" NPTF	103.41125BF	103.42125BF	
	1 5/16"-12ORB	Upon request		



FEMALE				
DN	CH2	L2	ØD	L
04	14	49	22	60
06	19	57,70	27	72
10	24	65,50	35	81
13	27	74	42	92
20	36	90	52	112
25	41	103	60	126



C.U.R.P. connection is available in DN13  
Up to 300 Bar.



# 103 SERIES

**ISO-B** PLUGS & CAPS

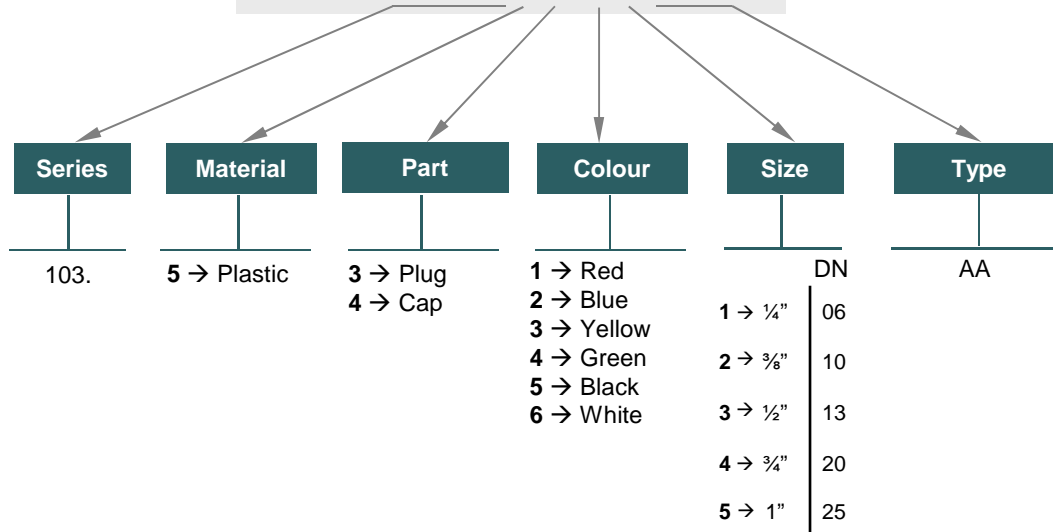


ISO B SERIES PLUGS/ CAPS have been designed to protect FEMALE (coupler) or MALE (nipple) parts while they are disconnected.  
Manufactured according to ISO 7241-B norm

## MODEL STRUCTURE

Example;

**103.5321 AA**



PLUG						
DN	RED	BLUE	YELLOW	GREEN	BLACK	WHITE
04	*	103.5320AA	*	*	*	*
06	*	103.5321AA	*	*	*	*
10	*	103.5322AA	*	*	*	*
13	*	103.5323AA	*	*	*	*
20	*	103.5324AA	*	*	*	*
25	*	103.5325AA	*	*	*	*

CAP						
DN	RED	BLUE	YELLOW	GREEN	BLACK	WHITE
04	*	103.5420AA	*	*	*	*
06	*	103.5421AA	*	*	*	*
10	*	103.5422AA	*	*	*	*
13	*	103.5423AA	*	*	*	*
20	*	103.5424AA	*	*	*	*
25	*	103.5425AA	*	*	*	*

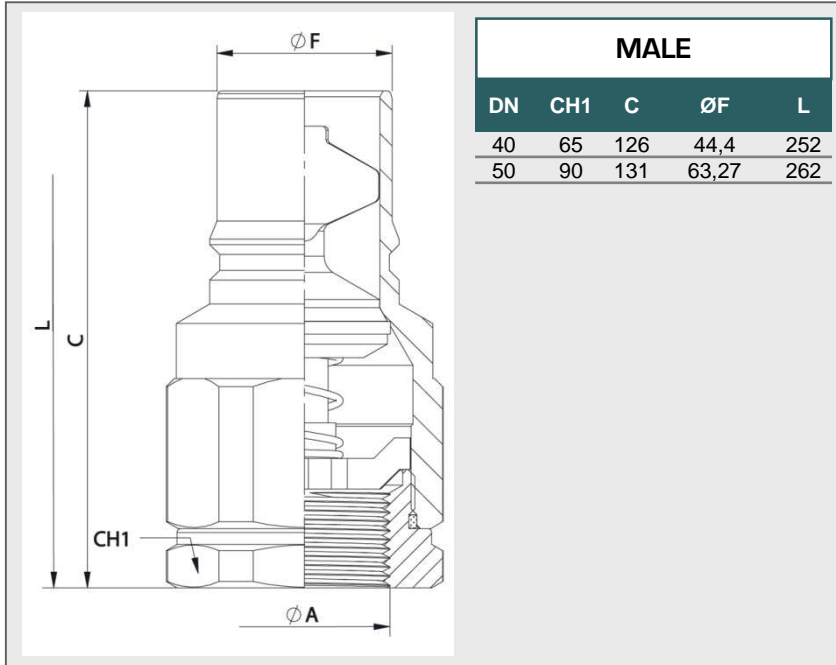
\* NOT AVAILABLE





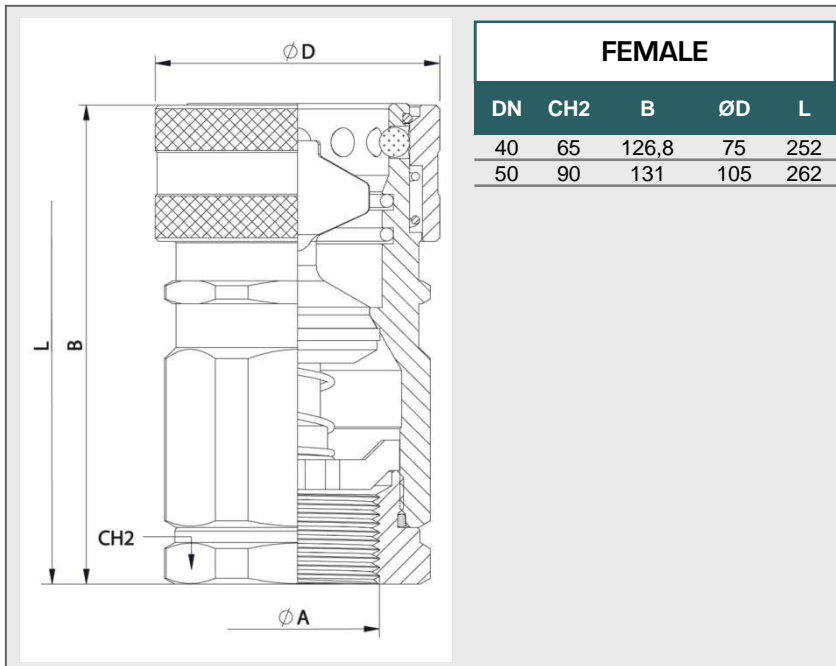
# 103 SERIES

ISO-B DN 40 / DN 50 SIZES



STANDARD CARBON STEEL MODELS			
DN	ØA	MALE	FEMALE
40	1 ¼" BSP	103.11117AG	103.12117AG
	1 ¼" NPTF	103.11117BG	103.12117BG
	1 ½" BSP	103.11117AH	103.12117AH
	1 ½" NPTF	103.11117BH	103.12117BH
50	2" BSP	103.11118AI	103.12118AI
	2" NPTF	103.11118BI	103.12118BI
	2 ½" BSP	103.11118AJ	103.12118AJ
	2 ½" NPTF	103.11118BJ	103.12118BJ
	3" BSP	103.11118AK	103.12118AK
	3" NPTF	103.11118BK	103.12118BK

STANDARD STAINLESS STEEL MODELS			
DN	ØA	MALE	FEMALE
40	1 ¼" BSP	103.21127AG	103.22127AG
	1 ¼" NPTF	103.21127BG	103.22127BG
	1 ½" BSP	103.21127AH	103.22127AH
	1 ½" NPTF	103.21127BH	103.22127BH
50	2" BSP	103.21128AI	103.22128AI
	2" NPTF	103.21128BI	103.22128BI
	2 ½" BSP	103.21128AJ	103.22128AJ
	2 ½" NPTF	103.21128BJ	103.22128BJ
	3" BSP	103.21128AK	103.22128AK
	3" NPTF	103.21128BK	103.22128BK



STANDARD BRASS MODELS			
DN	ØA	MALE	FEMALE
40	1 ¼" BSP	103.41127AG	103.42127AG
	1 ¼" NPTF	103.41127BG	103.42127BG
	1 ½" BSP	103.41127AH	103.42127AH
	1 ½" NPTF	103.41127BH	103.42127BH
50	2" BSP	103.41128AI	103.42128AI
	2" NPTF	103.41128BI	103.42128BI
	2 ½" BSP	103.41128AJ	103.42128AJ
	2 ½" NPTF	103.41128BJ	103.42128BJ
	3" BSP	103.41128AK	103.42128AK
	3" NPTF	103.41128BK	103.42128BK







# 103 SERIES

**ISO-B** PLUGS & CAPS

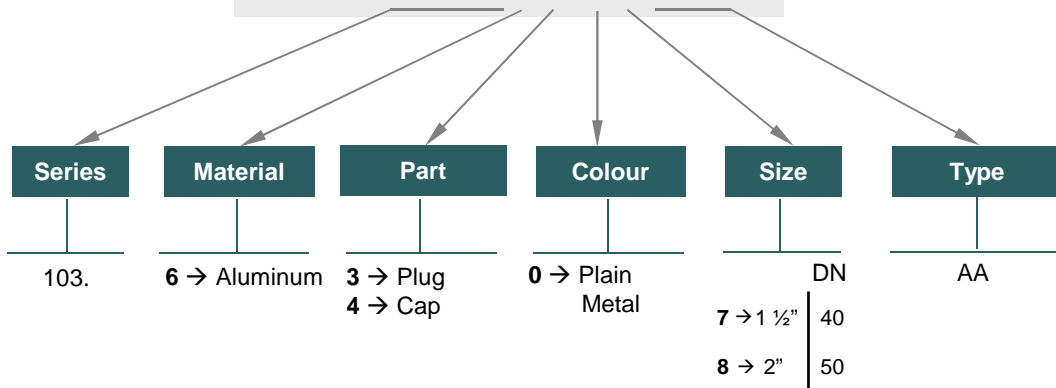


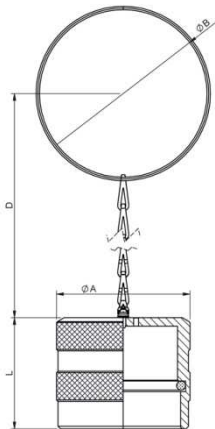
ISO B SERIES PLUGS/ CAPS have been designed to protect FEMALE (coupler) or MALE (nipple) parts while they are disconnected.  
Manufactured according to ISO 7241-B norm.

## MODEL STRUCTURE

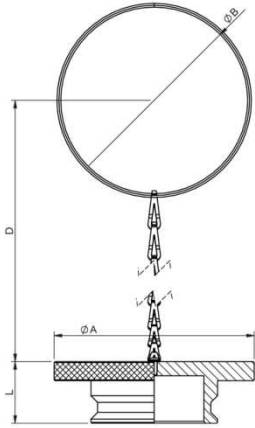
Example;

**103.6308 AA**





CAP					
DN	ØA	REF.	ØB	L	D
40	60	103.6407AA	70	60	609,5
50	78	103.6408AA	98	65	575,5



PLUG					
DN	ØA	REF.	ØB	L	D
40	75	103.6307AA	68	26	609,5
50	105	103.6308AA	98	32,4	575,5