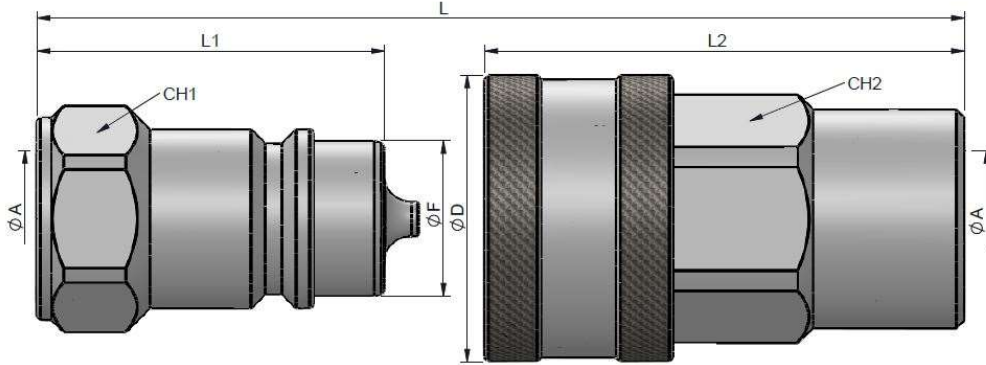




101 SERIES ISO-A



DN13



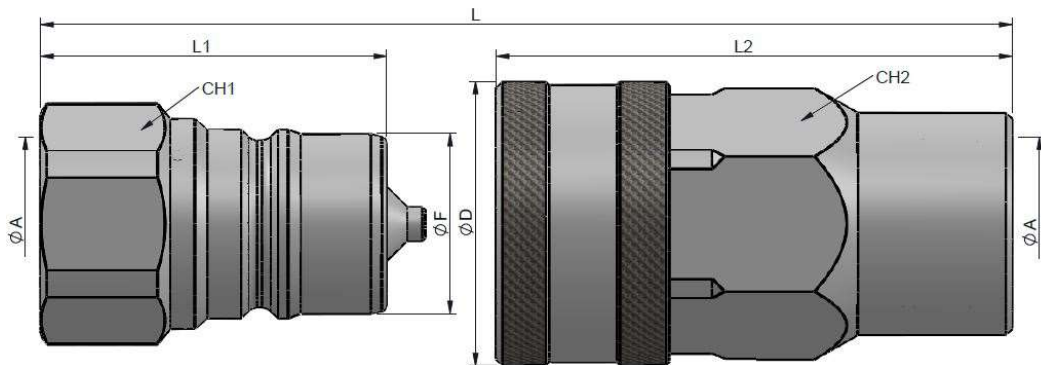
C.U.R.P. connection is available.
Up to 300 Bar.

MALE STANDARD MODELS

FEMALE STANDARD MODELS

DN	ØA	REF.		CH1	L1	ØF	L	DN	ØA	REF.		CH2	L2	ØD	L
13	1/2" BSP	101.11113AD	300Bar	27o30	46	20.56	87.50	1/2" BSP	101.12113AD	M22X1.5	300Bar	30	63.50	38	87.50
	1/2" NPTF	101.11113BD						1/2" NPTF	101.12113BD						
	3/4" - 16ORB	101.11113GF		3/4" - 16ORB				101.12113GF							
	7/8" - 14ORB	101.11113GH		7/8" - 14ORB				101.12113GH							

DN20



MALE STANDARD MODELS

FEMALE STANDARD MODELS

DN	ØA	REF.		CH1	L1	ØF	L	DN	ØA	REF.		CH2	L2	ØD	L
20	3/4" BSP	101.11114AE	250Bar	36	56	29	112	3/4" BSP	101.12114AE	1 1/16" - 12ORB	250Bar	38	83.5	46	112
	3/4" NPTF	101.11114BE						3/4" NPTF	101.12114BE						
	1 1/16" - 12ORB	101.11114GK						1 1/16" - 12ORB	101.12114GK						

Manufactured according to ISO 7241-A norm, DN13 size meets as well ISO 5675 requirements.

L= lenght while quick coupling is connected.

101-3