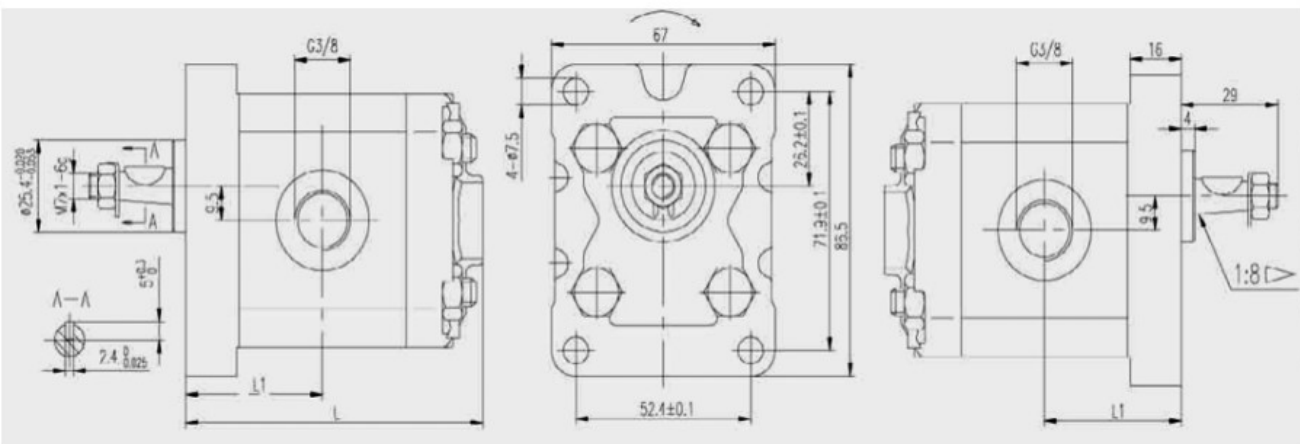




Group One, Hydraulic Gear Pump Euro 4 Bolt, 1/8 Taper, BSP Ports



Displacement cm ³ /rev	Max. Pressure			Max. Speed r/min	Min. Speed r/min	Dimensions	
	P1	P2	P3			M mm	L mm
0.8	250	270	290	6000	1000	73.5	32.8
1.1	250	270	290	6000	1000	74	33
1.3	250	270	290	6000	1000	75	33.5
1.6	250	270	290	6000	1000	76	34
1.8	250	270	290	6000	1000	77	34.5
2.1	250	270	290	6000	1000	78	35
2.7	250	270	290	6000	800	80	36
3.2	250	270	290	5000	800	82	37
3.7	250	270	290	4500	800	84	38
4.2	250	270	290	4000	800	86	39
4.8	230	250	270	3500	600	88	40
5.8	230	250	270	3000	600	92	42
7	210	230	250	2500	600	96	44
8	180	200	230	2100	600	100	46
9.8	150	170	190	2100	600	104	48