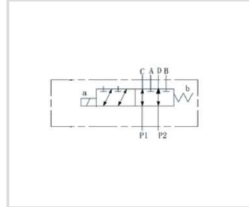


SDV06 6 WAY SOLENOID DIVERTERS MAX FLOW 50L/MIN, INTERNAL DRAINED

www.flowfitonline.com
TECH. DATA SHEET
SDV02



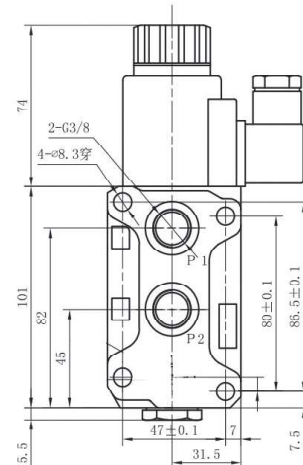
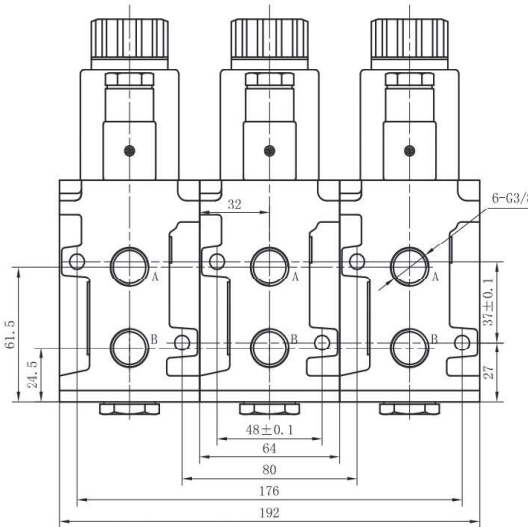
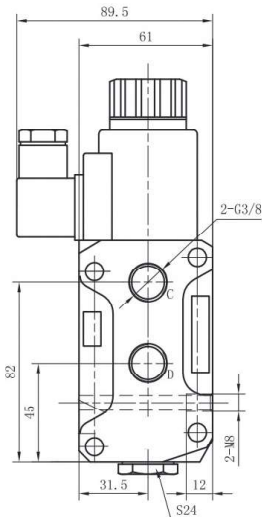
Diverters are used to add an extra facility to the directional control valve when it is needed for a sequence of operations such as a safety operation or to control a selected hydraulic cylinder.

The stackable circuit selector valves type SDV06 allow one single drive of 6 users with 5 diverters connected in series.

SDVRN	06	6	*	I	*	*
Stackable circuit selector valve						
Size NG06						
No. of way(single element)						
Threaded connection G 1/2						
						Internal drainage
						QTY of elements:1/2/3/4/5
						Voltage DC12;DC24

SPECIFICATION

Max. pressure: 250 bar
Max. flow: 50 l/min
Overlap: negative
Hydraulic fluids: Mineral oils DIN 51524
Fluid viscosity: 10 + 500 mm²/s
Fluid temperature: -25°C + 75°C
Ambient temperature: -25°C + 60°C
Max. Contamination level: class 10 in accordance
Oil cleanliness: NAS with 1638 with filter β₂₅≥75
 NAS 1638 class 9 and ISO 4406 class 20/18/15
Valve Body Surface Finish:
 Phosphate surface finish



DIVERTER	WAY	A	B
NO. OF DIVERTERS	NO. OF WAY	LENGTH IN MM	
1	6	64	-
2	8	128	174
3	10	192	238
4	12	256	302
5	14	320	366

- **COMPACT**
- **EASY TO INSTALL**
- **EXCELLENT PRICE**
- **OEM TOP DEMANDED FLOWFIT PRODUCT**
- **MANUAL OVERRIDE STANDARD**



PART NUMBER	VOLTAGE	PORT SIZE BSP	FLOW RATE L/MIN	MAX PRESSURE BAR	COIL SIZE	WEIGHT (KG)
SDVRN066G3/8I1DC12	12V DC	3/8" BSP	50	250	NG6	3.5
SDVRN066G3/8I1DC24	24V DC	3/8" BSP	50	250	NG6	3.5
SDVRN066G1/2I1DC12	12V DC	1/2" BSP	50	250	NG6	3.5
SDVRN066G1/2I1DC24	24V DC	1/2" BSP	50	250	NG6	3.5

FLOWFIT SOLENOID DIVERTER VALVES