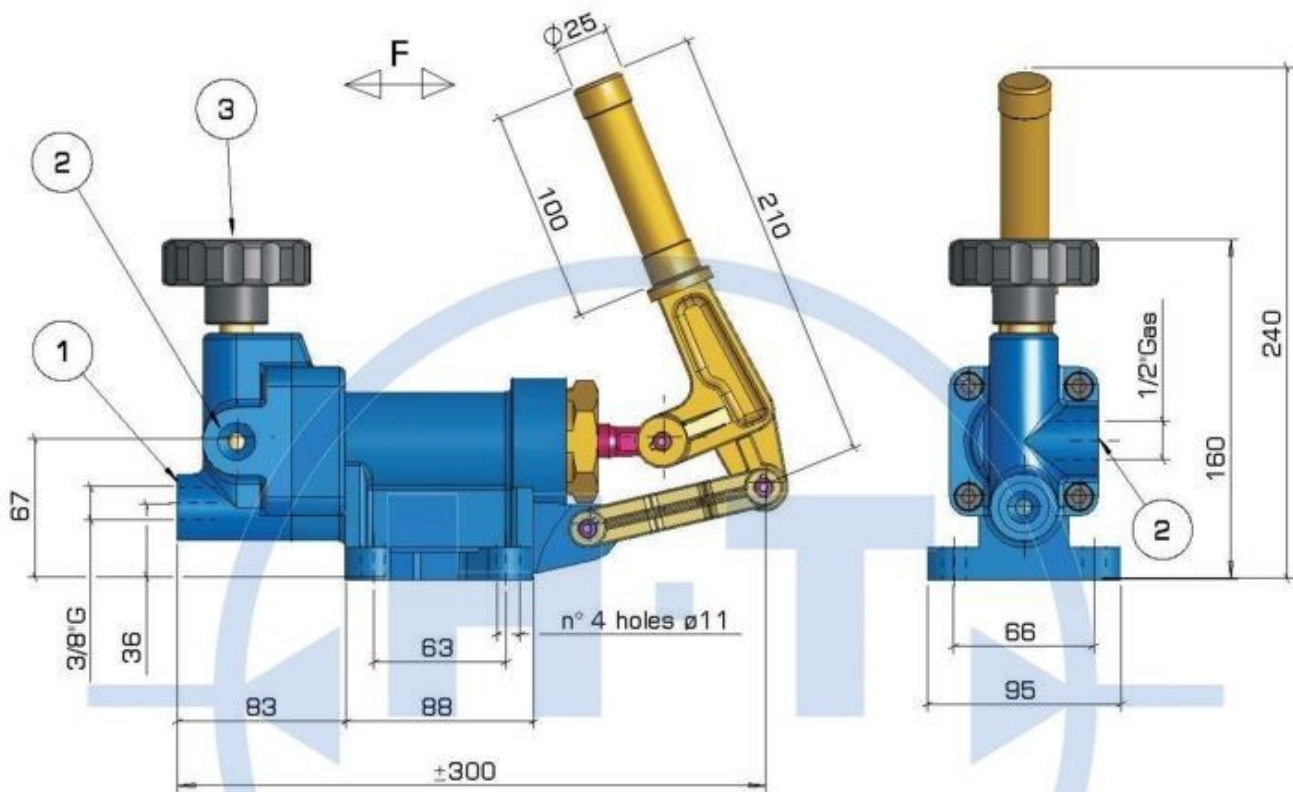


Hydraulic Hand Pump Type **GLR (20-30)**

Double stroke function with release handknob for single acting cylinder



Materials:
Cast-iron pump housing

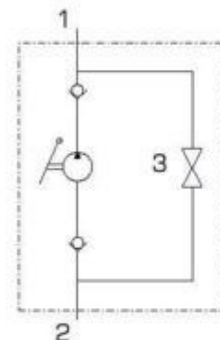
Weight Kg. ~6,3 - 6,5

1 Pressure port
2 Suction
3 Release handknob

Mounting:
Any position



TYPE	DELIVERY cm ³	PRESSURE Bar
GLR 20	18	460
GLR 25	29	320
GLR 28	36	250
GLR 30	42	220



Dimensions and characteristics not binding. Modifications reserved without prior notice.