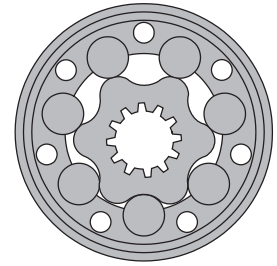


HYDRAULIC MOTORS EPRM



APPLICATION

- » Conveyors;
- » Feeding mechanism of robots and manipulators;
- » Metal working machines;
- » Textile machines;
- » Machines for agriculture;
- » Food industries;
- » Grass cutting machinery etc.



CONTENTS

Specification data	30 ÷ 33
Function diagrams	34 ÷ 38
Permissible shaft Seal Pressure ...	38
Dimensions and mounting	39
Wheel motor	40
Shaft versions	26
Permissible shaft loads	27
Order code	41

OPTIONS

- » Model- Spool valve, geroler;
- » Flange and wheel mount;
- » Motor with needle bearing;
- » Side and rear ports;
- » Shafts- straight, splined and tapered;
- » Shaft seal for high and low pressure;
- » Metric and BSPP ports;
- » Other special features.

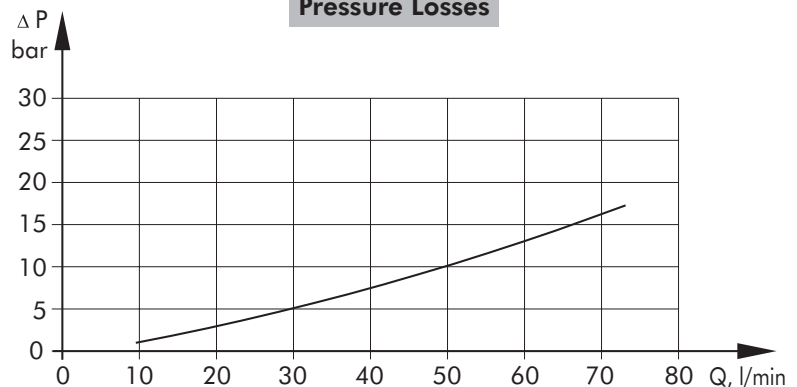
GENERAL

Displacement, [cm ³ /rev.]	51,5 ÷ 397
Max. Speed, [RPM]	775 ÷ 150
Max. Torque, [daNm]	10,1 ÷ 61
Max. Output, [kW]	5 ÷ 13
Max. Pressure Drop, [bar]	175 ÷ 70
Max. Oil Flow, [l/min]	40 ÷ 60
Min. Speed, [RPM]	10
Pressure fluid	Mineral based- HLP(DIN 51524) or HM(ISO 6743/4)
Temperature range, [°C]	-30 ÷ 90
Optimal Viscosity range, [mm ² /s]	20 ÷ 75
Filtration	ISO code 20/16 (Min. recommended fluid filtration of 25 micron)

Oil flow in drain line

Pressure drop (bar)	Viscosity (mm ² /s)	Oil flow in drain line (l/min)
100	20	2,5
	35	1,8
140	20	3,5
	35	2,8

Pressure Losses



SPECIFICATION DATA

Type	EPRM 50	EPRMW 50 EPRM 50...B	EPRM 80	EPRMW 80 EPRM 80...B	EPRM 100	EPRMW100 EPRM100...B
Displacement, [cm ³ /u]	51,5	51,5	80,3	80,3	99,8	99,8
Max. Speed, [RPM]	cont.	775	775	750	750	600
	int.*	970	970	940	940	750
Max. Torque [daNm]	cont.	10,1	10,1	19,5	19,5	24
	int.*	13	13	22	22	28
	peak**	17	17	27	27	32
Max. Output, [kW]	cont.	7	7	12,5	12,5	13
	int.*	8,5	8,5	15	15	15
Max. Pressure Drop [bar]	cont.	140	140	175	175	175
	int.*	175	175	200	200	200
	peak**	225	225	225	225	225
Max. Oil Flow [l/min]	cont.	40	40	60	60	60
	int.*	50	50	75	75	75
Max. Inlet Pressure [bar]	cont.	175	175	175	175	175
	int.*	200	200	200	200	200
	peak**	225	225	225	225	225
Max. Return Pressure w/o Drain Line or max. Pressure in Drain Line, [bar]	cont.0-100 RPM	150	100	150	100	150
	cont.100-300 RPM	75	30	75	30	75
	cont.300-600 RPM	50	15	50	15	50
	cont.>600 RPM	20	-	20	-	20
	int.* 0-max. RPM	150	100	150	100	150
Max. Return Pressure with Drain Line [bar]	cont.	175	175	175	175	175
	int.*	200	200	200	200	200
	peak**	225	225	225	225	225
Max. Starting Pressure with Unloaded Shaft, [bar]	10	10	10	10	10	10
Min. Starting Torque [daNm]	at max. press.	8	8	15	15	20
	drop cont.					
	at max. press. drop int.*	10	10	17	17	23
Min. Speed***, [RPM]	10	10	10	10	10	10
Weight, avg., [kg]	EPRM (F)	6,8	6,9	6,9	7,0	7,2
	EPRMW	-	10,4	-	10,5	-
	EPRMQ	6,2		6,3		6,6

* Intermittent operation: the permissible values may occur for max. 10% of every minute.

** Peak load: the permissible values may occur for max. 1% for every minute.

*** For speeds of 10 RPM or lower, consult factory or your regional manager.

1. Intermittent speed and intermittent pressure drop must not occur simultaneously!
2. Recommended filtration is per ISO cleanliness code 20/16. A nominal filtration of 25 micron or better.
3. Recommended using a premium quality, anti-wear type mineral based hydraulic oil HLP(DIN51524) or HM (ISO 6743/4).
If using synthetic fluids consult the factory for alternative seal materials.
4. Recommended minimum oil viscosity 13 mm²/s at operating temperatures.
5. Recommended maximum system operating temperature - 82°C.
6. To assure optimum motor life fill with fluid prior to loading and run at moderate load and speed for 10-15 min.

SPECIFICATION DATA (continued)

Type	EPRM 125	EPRMW100 EPRM100...B	EPRM 160	EPRMW160 EPRM160...B	EPRM 200	EPRMW200 EPRM200...B	
Displacement, [cm ³ /u]	125,7	125,7	159,6	159,6	199,8	199,8	
Max. Speed, [RPM]	cont.	475	475	375	375	300	300
	int.*	600	600	470	470	375	375
Max. Torque [daNm]	cont.	30	30	39	39	38,5	45
	int.*	34	34	43	43	46	50
	peak**	37	37	46	46	56	56
Max. Output, [kW]	cont.	12,5	12,5	11,5	11,5	9	11
	int.*	14,5	14,5	14	14	11,5	13
Max. Pressure Drop [bar]	cont.	175	175	175	175	140	175
	int.*	200	200	200	200	175	200
	peak**	225	225	225	225	225	225
Max. Oil Flow [l/min]	cont.	60	60	60	60	60	60
	int.*	75	75	75	75	75	75
Max. Inlet Pressure [bar]	cont.	175	175	175	175	175	175
	int.*	200	200	200	200	200	200
	peak**	225	225	225	225	225	225
Max. Return Pressure w/o Drain Line or max. Pressure in Drain Line, [bar]	cont.0-100 RPM	150	100	150	100	150	100
	cont.100-300 RPM	75	30	75	30	75	30
	cont.300-600 RPM	50	15	50	15	50	15
	cont.>600 RPM	-	-	-	-	-	-
	int.* 0-max. RPM	150	100	150	100	150	100
Max. Return Pressure with Drain Line [bar]	cont.	175	175	175	175	175	175
	int.*	200	200	200	200	200	200
	peak**	225	225	225	225	225	225
Max. Starting Pressure with Unloaded Shaft, [bar]	9	9	7	7	5	5	
Min. Starting Torque [daNm]	at max. press. drop cont.	25	25	32	32	33	41
	at max. press. drop int.*	28	28	37	37	40	46
Min. Speed***, [RPM]	10	10	10	10	10	10	
Weight, avg., [kg]	EPRM (F)	7,3	7,4	7,5	7,6	8	8,1
	EPRMW	-	10,8	-	11,1	-	11,6
	EPRMQ	6,8		7,6		7,2	

* Intermittent operation: the permissible values may occur for max. 10% of every minute.

** Peak load: the permissible values may occur for max. 1% for every minute.

*** For speeds of 10 RPM or lower, consult factory or your regional manager.

1. Intermittent speed and intermittent pressure drop must not occur simultaneously!
2. Recommended filtration is per ISO cleanliness code 20/16. A nominal filtration of 25 micron or better.
3. Recommended using a premium quality, anti-wear type mineral based hydraulic oil HLP(DIN51524) or HM (ISO 6743/4).
If using synthetic fluids consult the factory for alternative seal materials.
4. Recommended minimum oil viscosity 13 mm²/s at operating temperatures.
5. Recommended maximum system operating temperature - 82°C.
6. To assure optimum motor life fill with fluid prior to loading and run at moderate load and speed for 10-15 min.

SPECIFICATION DATA (continued)

Type	EPRM 250	EPRMW250 EPRM250...B	EPRM 315	EPRMW315 EPRM315...B	EPRM 400	EPRMW400 EPRM400...B
Displacement, [cm ³ /u]	250,1	250,1	315,7	315,7	397	397
Max. Speed, [RPM]	cont.	240	240	190	150	150
	int.*	300	300	240	190	190
Max. Torque [daNm]	cont.	39	54	39	55	38
	int.*	58	61	57	63	60
	peak**	71	71	83	83	87
Max. Output, [kW]	cont.	6,5	10	6	9	4,8
	int.*	10,5	12	9,6	11	8,8
Max. Pressure Drop [bar]	cont.	110	175	90	135	70
	int.*	175	200	140	160	115
	peak**	225	225	210	210	175
Max. Oil Flow [l/min]	cont.	60	60	60	60	60
	int.*	75	75	75	75	75
Max. Inlet Pressure [bar]	cont.	175	175	175	175	175
	int.*	200	200	200	200	200
	peak**	225	225	225	225	225
Max. Return Pressure w/o Drain Line or max. Pressure in Drain Line, [bar]	cont.0-100 RPM	150	100	150	100	150
	cont.100-300 RPM	75	30	75	30	75
	cont.300-600 RPM	-	-	-	-	-
	int.* 0-max. RPM	150	100	150	100	150
Max. Return Pressure with Drain Line [bar]	cont.	175	175	175	175	175
	int.*	200	200	200	200	200
	peak**	225	225	225	225	225
Max. Starting Pressure with Unloaded Shaft, [bar]	4	4	3	3	3	3
Min. Starting Torque [daNm]	at max. press.	31	50	33	50	30
	drop cont.					
	at max. press. drop int.*	48	55	58	66	50
Min. Speed***, [RPM]	10	10	10	10	10	10
Weight, avg., [kg]	EPRM (F)	8,4	8,5	9,1	9,2	9,8
	EPRMW	-	12,1	-	12,6	-
	EPRMQ	7,8		8,6		9,3

* Intermittent operation: the permissible values may occur for max. 10% of every minute.

** Peak load: the permissible values may occur for max. 1% for every minute.

*** For speeds of 10 RPM or lower, consult factory or your regional manager.

1. Intermittent speed and intermittent pressure drop must not occur simultaneously!
2. Recommended filtration is per ISO cleanliness code 20/16. A nominal filtration of 25 micron or better.
3. Recommended using a premium quality, anti-wear type mineral based hydraulic oil HLP(DIN51524) or HM (ISO 6743/4).
If using synthetic fluids consult the factory for alternative seal materials.
4. Recommended minimum oil viscosity 13 mm²/s at operating temperatures.
5. Recommended maximum system operating temperature - 82°C.
6. To assure optimum motor life fill with fluid prior to loading and run at moderate load and speed for 10-15 min.

SPECIFICATION DATA for EPRM...LSV

Low Speed Valve (LSV) "LSV" Series hydraulic motors have been designed to operate with normal pressure drop and to ensure smooth run at low speed (up to 200 RPM), as the best security for operation is guaranteed at frequency of rotation $20 \div 50$ RPM. They have an increased starting pressure drop and are not recommended for using at pressure less than 40 bar.

Look at specification data for hydraulic motors standard version. The modification concerns only the following parameters: maximum speed, maximum output, maximum Oil flow and maximum starting pressure.

Type		EPRM 50	EPRM 80	EPRM 100	EPRM 125	EPRM 160	EPRM 200	EPRM 250	EPRM 315	EPRM 400
Max. Speed [RPM]	Cont.	200	200	200	200	200	200	160	126	100
	Int.*	250	250	250	250	250	250	200	158	126
Max. Output [kW]	Cont.	2	4,0	5,0	6,2	7,0	6,8	6,2	5,8	5,2
	Int.*	3	5,7	7,3	8,5	8,8	8,3	7,8	7,6	6,8
Max. Oil Flow [lpm]	Cont.	13	23	26	33	40	40	40	40	40
	Int.*	16	31	34	45	50	50	50	50	50
Max. Starting Pressure with unloaded Shaft, [bar]		20	20	20	20	15	15	15	12	12

SPECIFICATION DATA for EPRM...LL

Low Leakage (LL) "LL" Series hydraulic motors have been designed to operate at the whole standard range of working conditions (pressure drop and frequency of rotation), but with considerable decreased volumetric losses in the drainage ports. Their main purpose is to operate as series-connected motors in hydraulic systems.

For this version is permissible decreasing of the maximal torque with up to 5% (at middle speed) and up to 10% (at high speed) in comparison to the standard versions of motors.

Look at specification data for hydraulic motors series EPRM standard version. The modification concerns only the parameters: maximum torque, maximum output, minimum starting torque.

Type		EPRM 50	EPRM 80	EPRM 100	EPRM 125	EPRM 160	EPRM 200	EPRM 250	EPRM 315	EPRM 400
Max. Torque [daNm]	Cont.	9,6	18,5	22,8	28,5	37,1	42,8	51,3	52,2	58,0
	Int.*	12,4	20,9	26,6	32,3	40,9	47,5	58,0	60,0	65,6
Max. Output [kW]	Cont.	9,0	12,3	12,8	12,4	11,4	10,9	9,9	8,9	7,7
	Int.*	11,9	14,8	14,8	14,3	13,8	12,8	11,8	10,9	10,5
Max. Pressure Drop [bar]	Cont.	140	175	175	175	175	175	175	135	115
	Int.*	175	200	200	200	200	200	200	160	140
Min. Starting Torque [daNm]	Cont.	7,6	14,2	19,0	23,8	30,4	39,0	47,5	47,5	46,5
	Int.*	9,5	16,2	21,8	26,6	35,2	43,7	52,2	62,7	58,0

SPECIFICATION DATA for EPRM...FR

Free Running version "FR" these are the hydraulic motors with reduced mechanical losses, for which at disengaged condition / unconnected with driving mechanism / the rotation of the shaft could be realized by means of small torque. This advantage is especially useful at operating with high frequencies of rotation /over than 300 min^{-1} / and low pressure drop, which is inbred for types with displacements of up to 200 cm^3 . It is normal for these for the different condition of operation to have high torque, as well as high volume losses: the values of the volumetric efficiency are lower (up to 5% for middle and up to 10% for high values of the pressure drop), than these of the normal versions. That's why the recommended operating for "FR" version is for applications with pressure drop up to 100 bar.

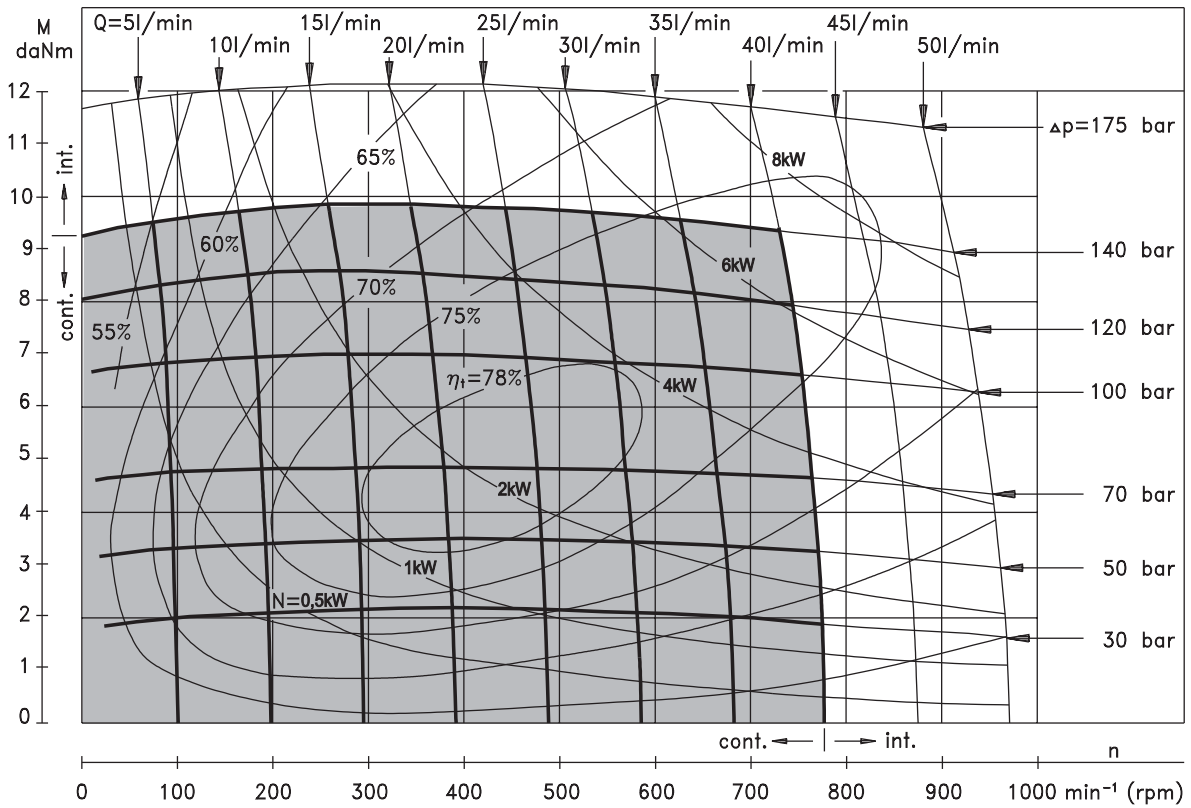
Additional advantages of "FR" version are prolonging of the life of the hydraulic motors at high frequencies of rotation, as well as the possibility to use them in systems with big variation of the loading.

Look at specification data for hydraulic motors series EPRM standard version. Only the parameter Starting Pressure is modified.

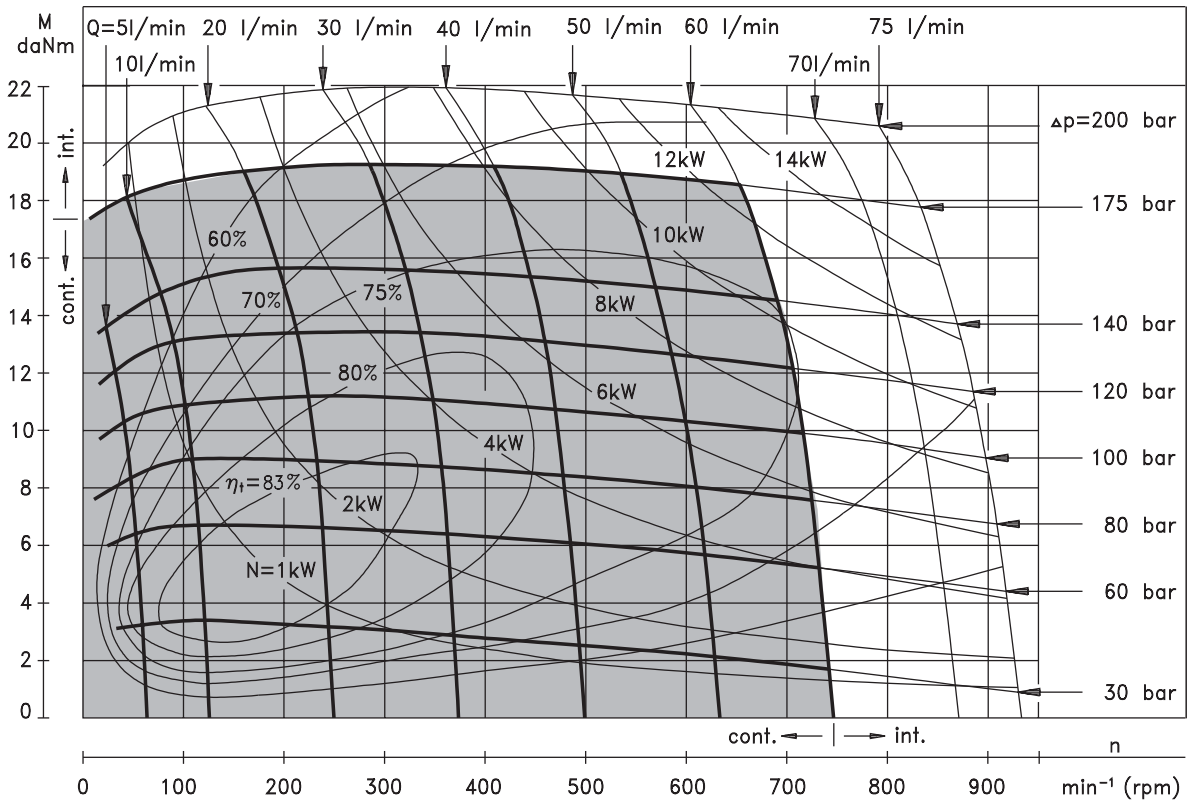
Type	EPRM 50	EPRM 80	EPRM 100	EPRM 125	EPRM 160	EPRM 200
Max. Starting Pressure with Unloaded Shaft, [bar]	8	8	8	7,5	5,5	4

FUNCTION DIAGRAMS

EPRM 50



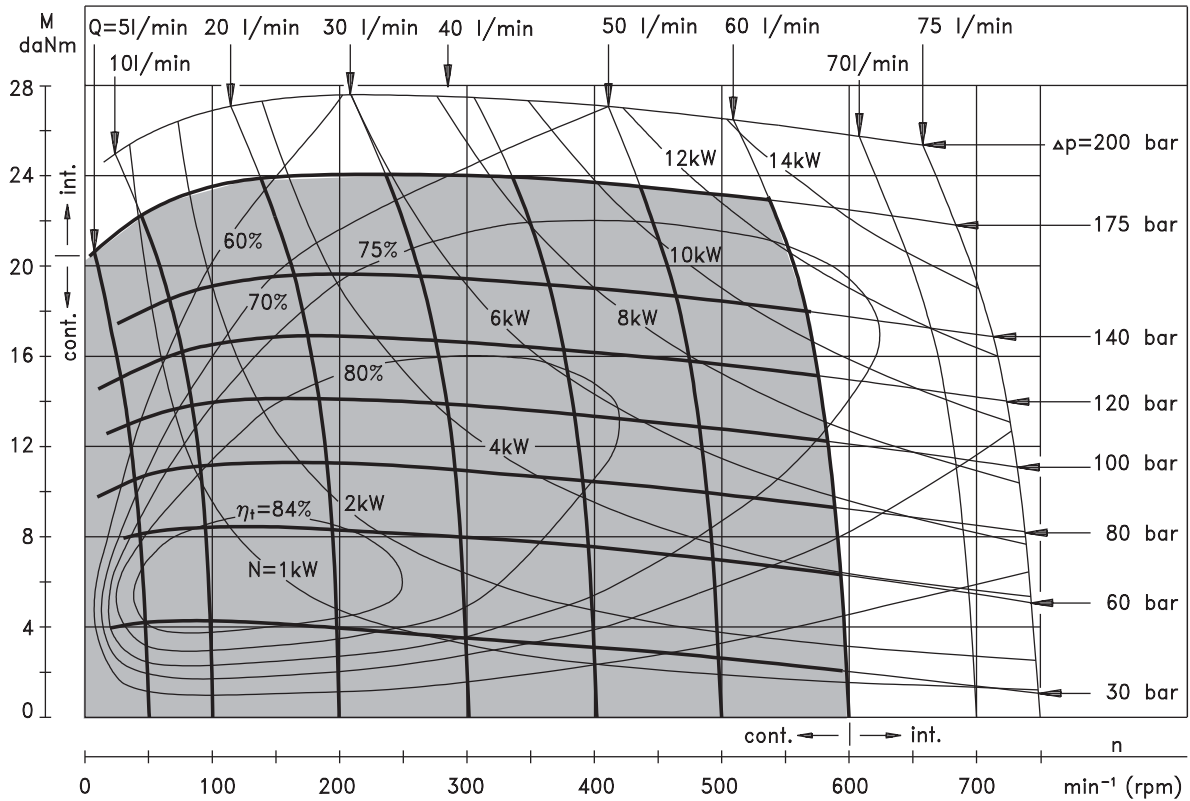
EPRM 80



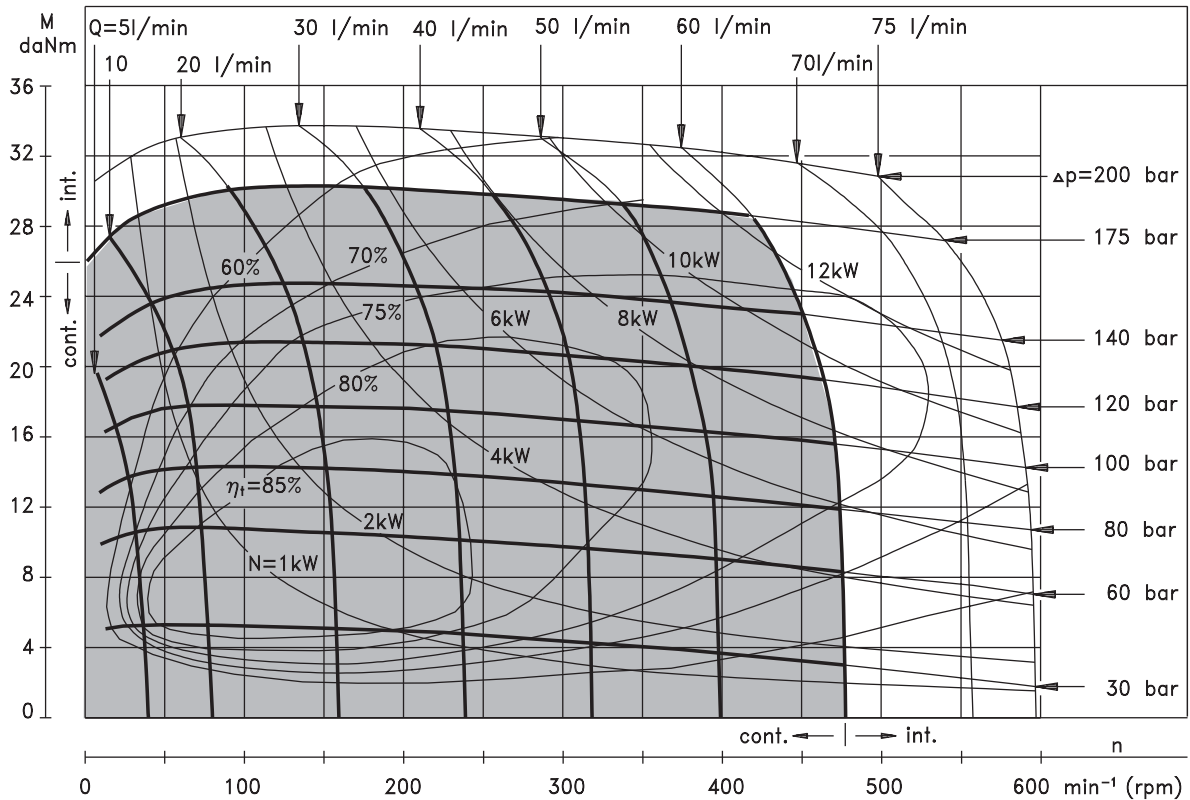
The function diagrams data was collected at back pressure $5 \div 10$ bar and oil with viscosity of $32 \text{ mm}^2/\text{s}$ at 50° C .

FUNCTION DIAGRAMS

EPRM 100



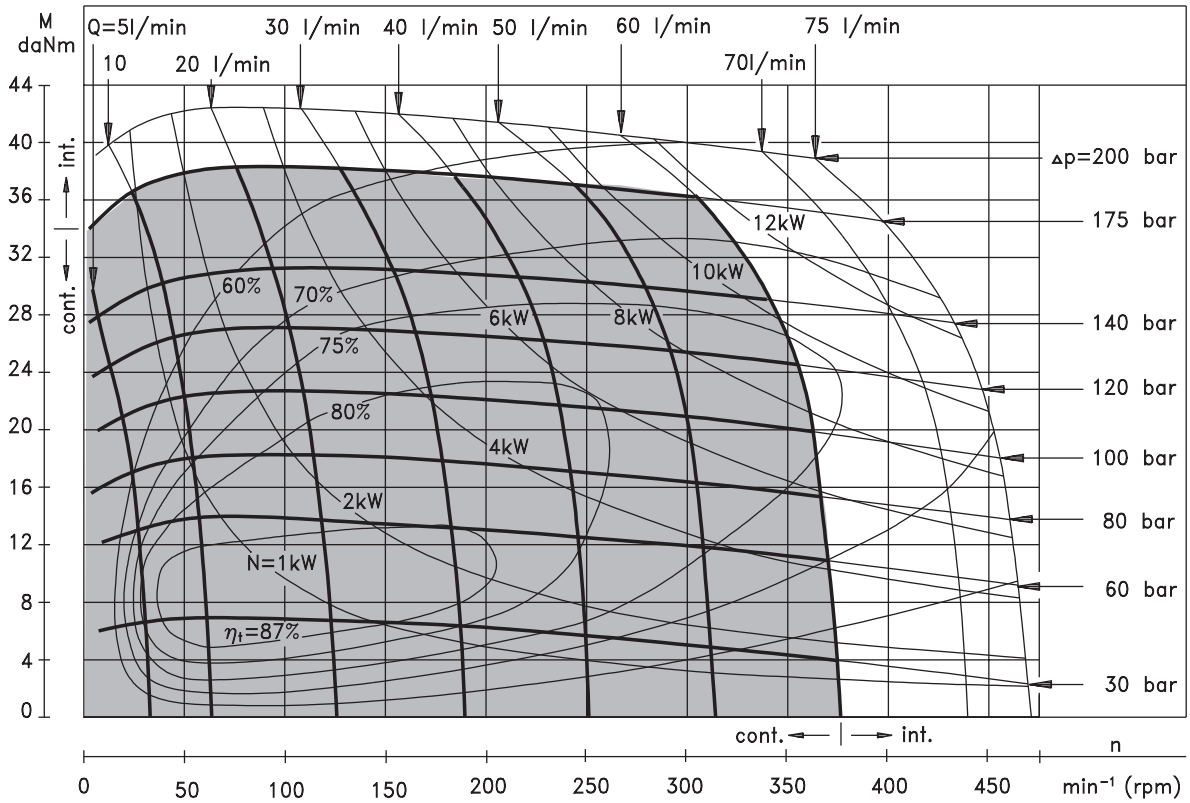
EPRM 125



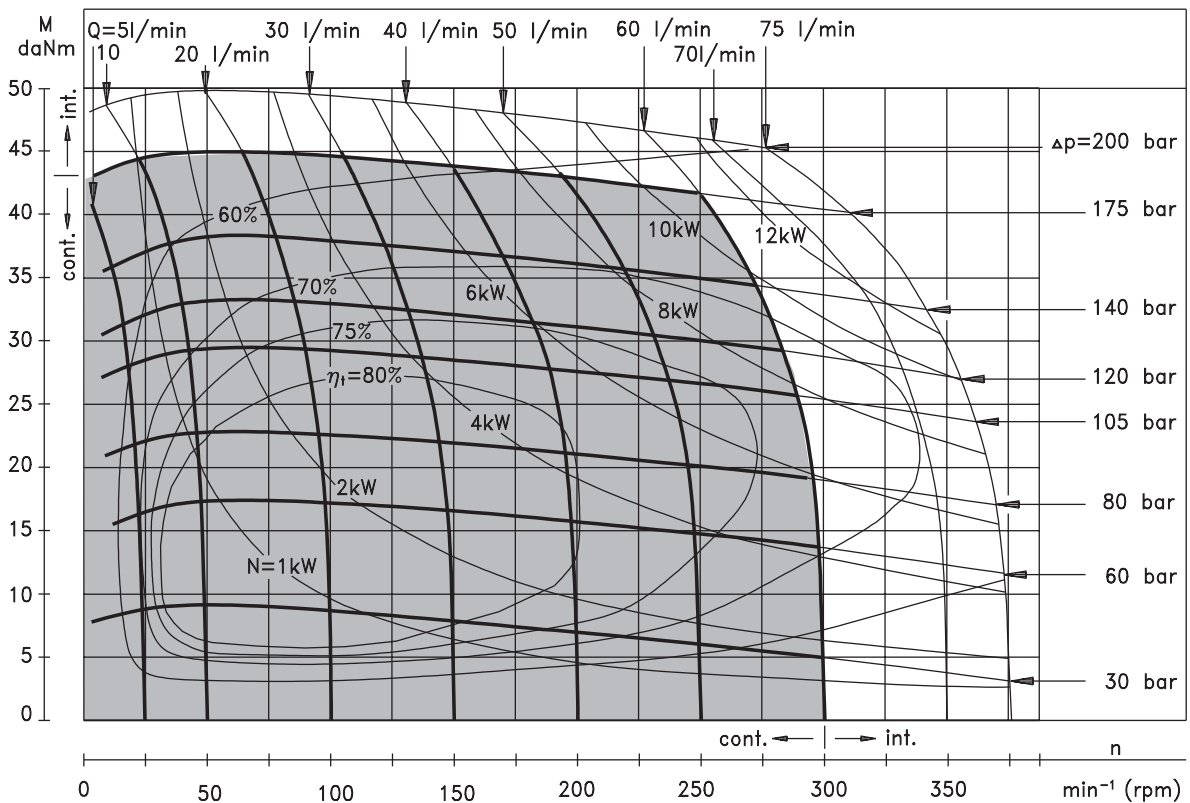
The function diagrams data was collected at back pressure $5 \div 10$ bar and oil with viscosity of $32 \text{ mm}^2/\text{s}$ at 50° C .

FUNCTION DIAGRAMS

EPRM 160



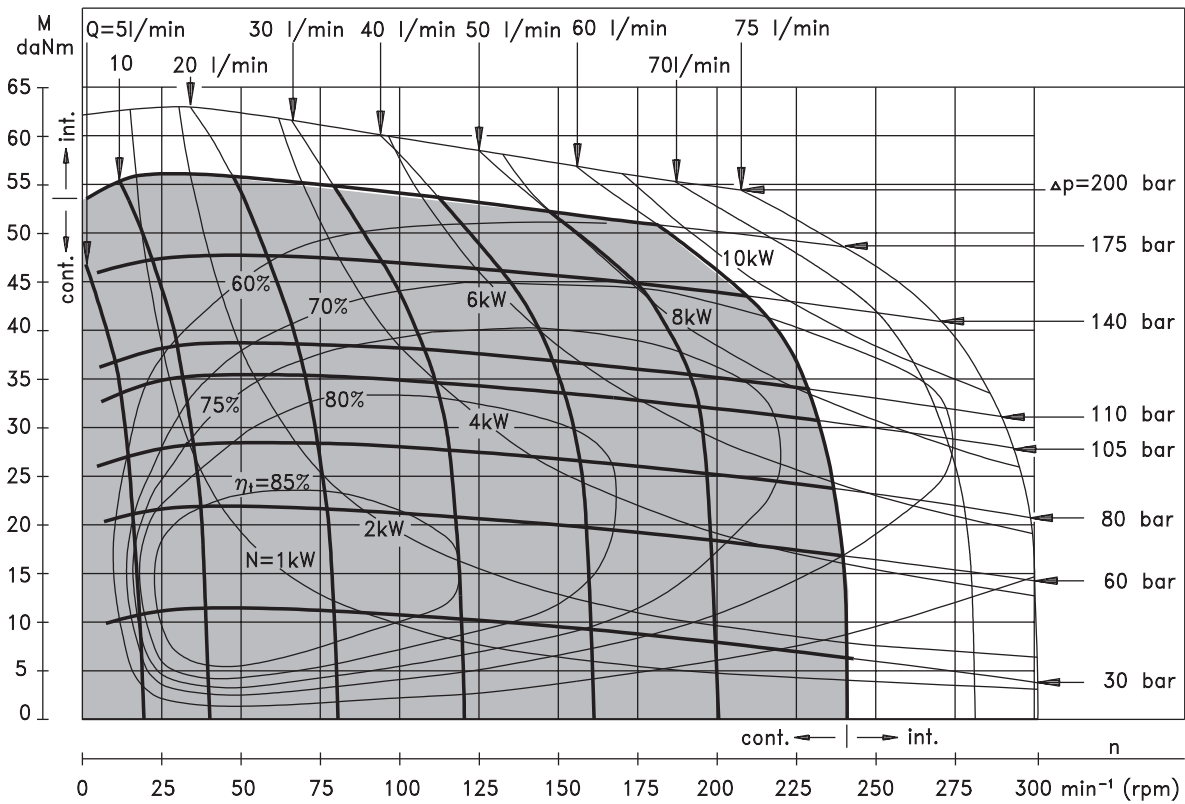
EPRM 200



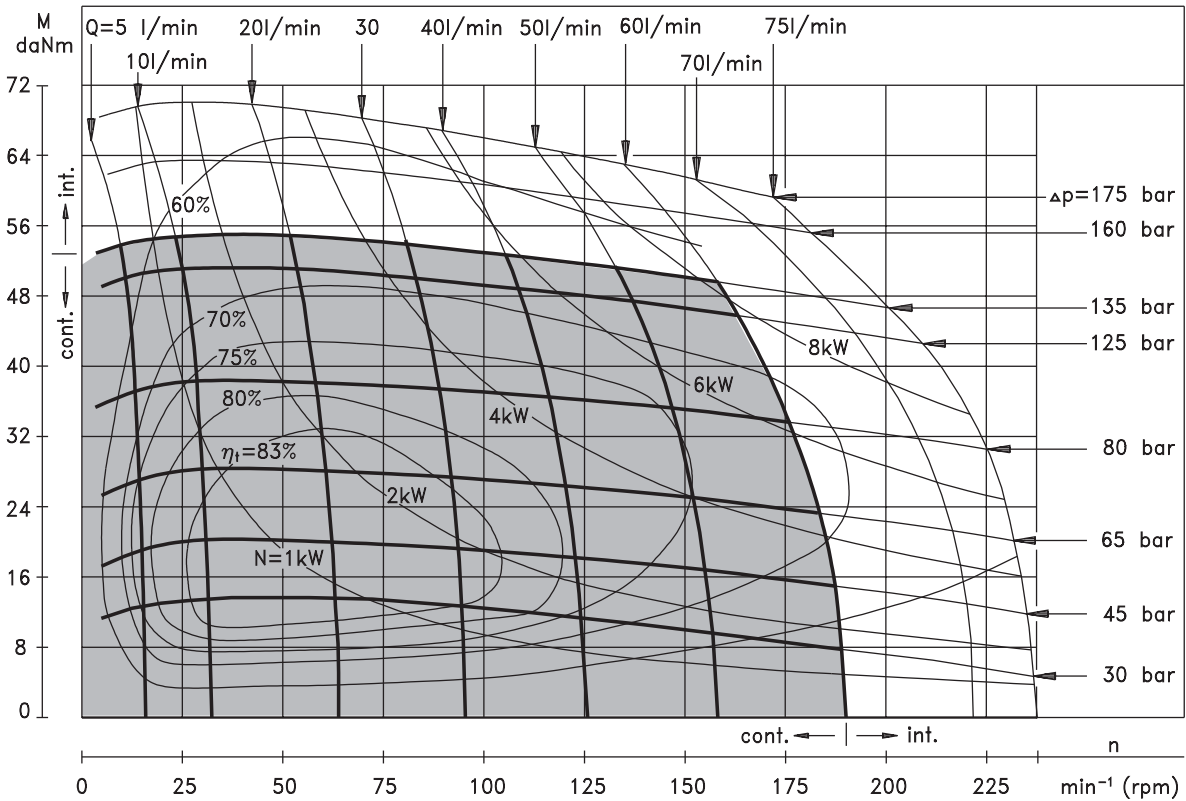
The function diagrams data was collected at back pressure 5 ÷ 10 bar and oil with viscosity of 32 mm²/s at 50° C.

FUNCTION DIAGRAMS

EPRM 250



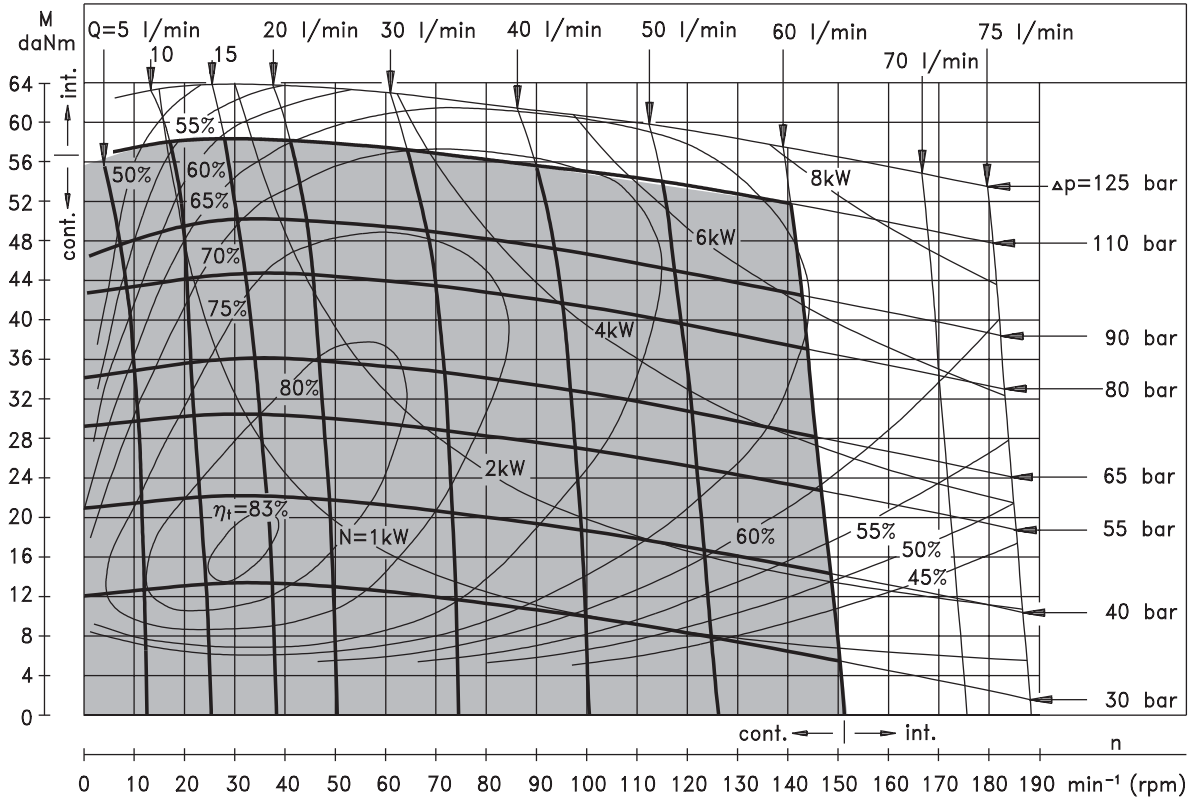
EPRM 315



The function diagrams data was collected at back pressure $5 \div 10$ bar and oil with viscosity of $32 \text{ mm}^2/\text{s}$ at 50° C .

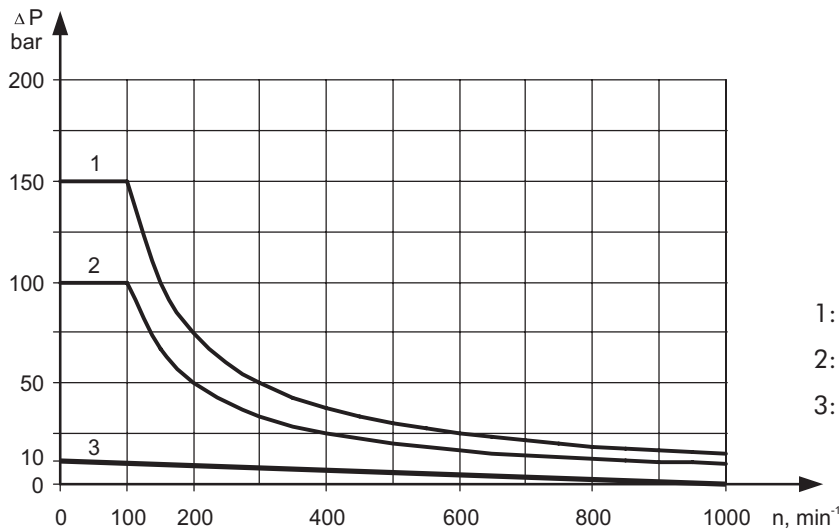
FUNCTION DIAGRAM

EPRM 400



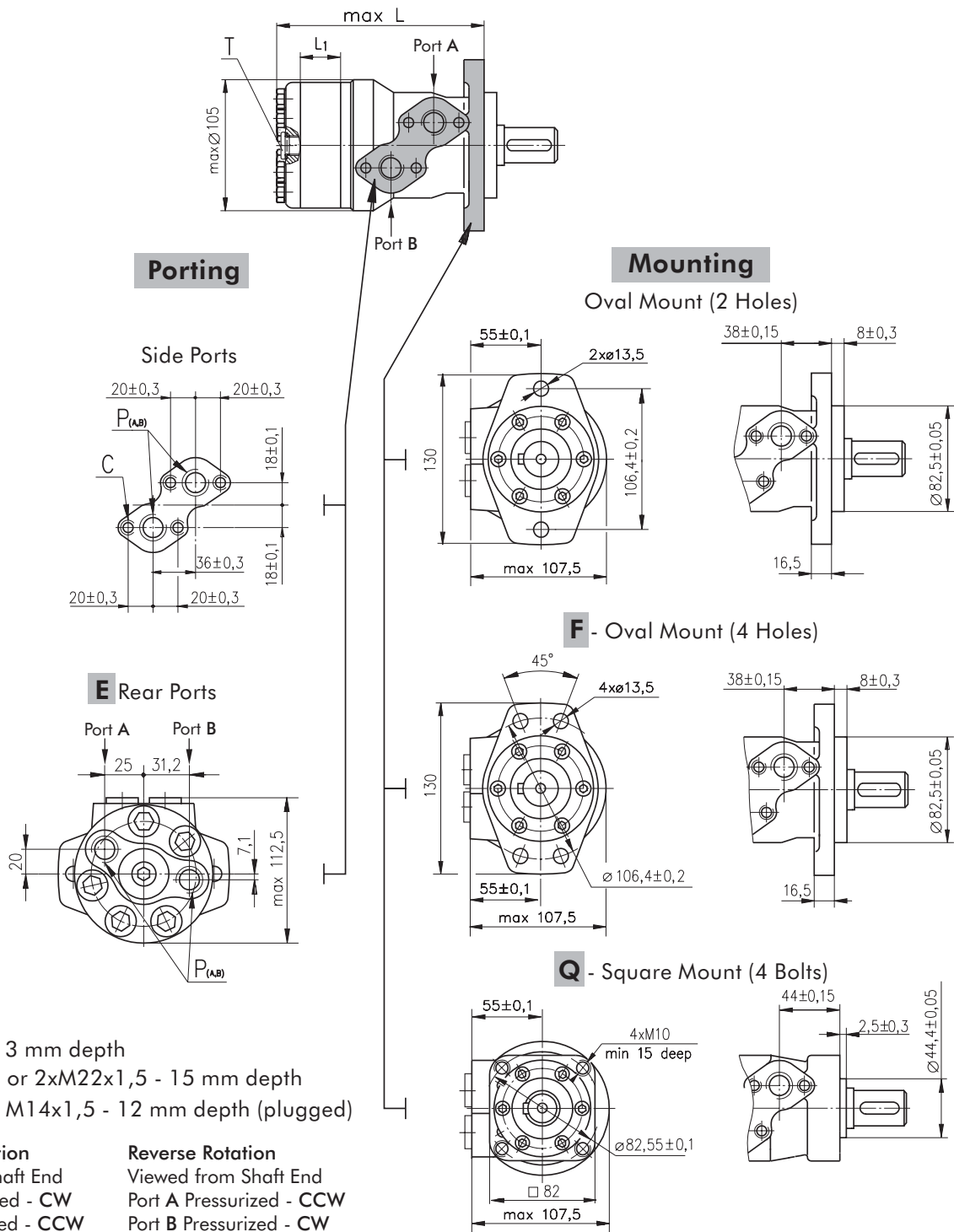
The function diagram data was collected at back pressure $5 \div 10$ bar and oil with viscosity of $32 \text{ mm}^2/\text{s}$ at 50°C .

Max. Permissible Shaft Seal Pressure for EPM and EPRM Motors



- 1: Drawing for "D" Seal
- 2: Drawing for "...B" Shaft Seal
- 3: Drawing for Quadding

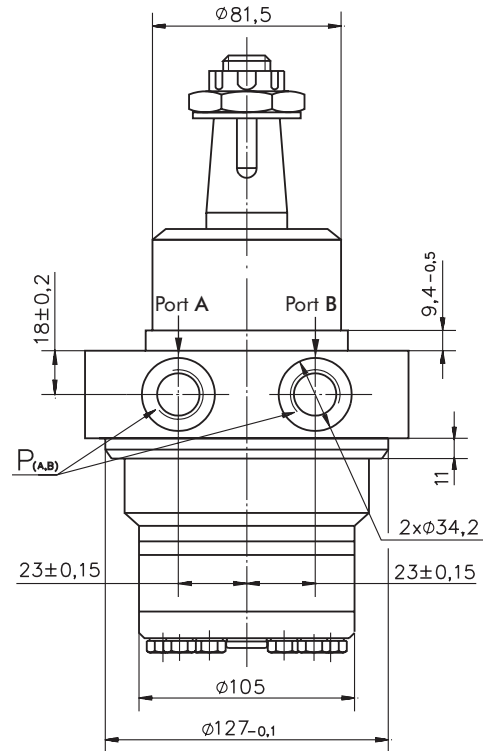
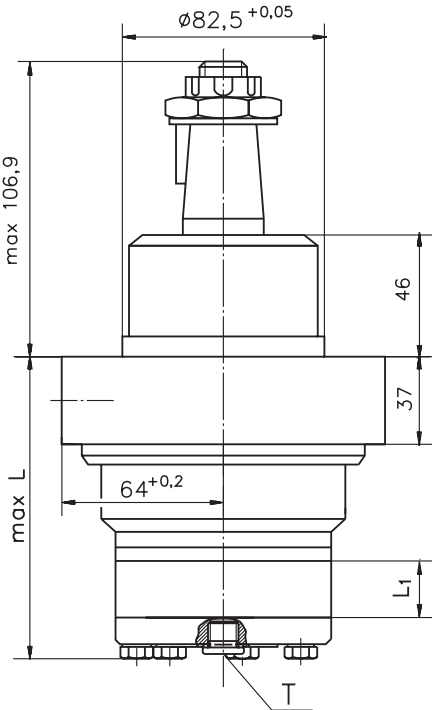
DIMENSIONS AND MOUNTING DATA



Type	L, mm	Type	L, mm	Type	L, mm	Type	L, mm	L ₁ , mm
EPRM(F) 50	138,0	EPRMQ 50	143,5	EPRM(F)E 50	157,5	EPRMQE 50	163,5	9,0
EPRM(F) 80	143,0	EPRMQ 80	148,5	EPRM(F)E 80	162,5	EPRMQE 80	168,5	14,0
EPRM(F) 100	146,0	EPRMQ 100	152,0	EPRM(F)E 100	165,5	EPRMQE 100	171,5	17,4
EPRM(F) 125	150,5	EPRMQ 125	156,5	EPRM(F)E 125	170,0	EPRMQE 125	176,0	21,8
EPRM(F) 160	156,5	EPRMQ 160	162,5	EPRM(F)E 160	176,0	EPRMQE 160	182,0	27,8
EPRM(F) 200	163,5	EPRMQ 200	169,5	EPRM(F)E 200	183,0	EPRMQE 200	189,0	34,8
EPRM(F) 250	172,0	EPRMQ 250	179,0	EPRM(F)E 250	192,0	EPRMQE 250	198,0	43,5
EPRM(F) 315	183,0	EPRMQ 315	189,0	EPRM(F)E 315	204,0	EPRMQE 315	210,0	54,8
EPRM(F) 400	198,0	EPRMQ 400	204,0	EPRM(F)E 400	218,0	EPRMQE 400	224,0	69,4

DIMENSIONS AND MOUNTING DATA - EPRMW-Series 2

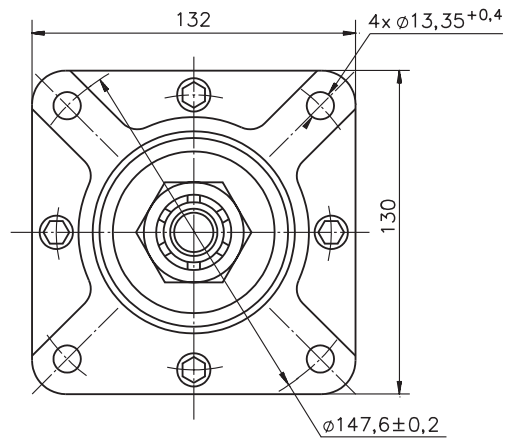
W Wheel Mount



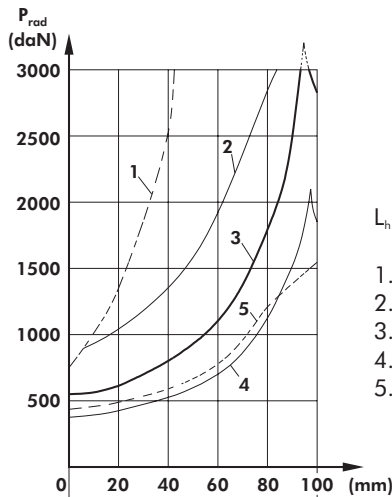
$P_{(A,B)}$: 2xG1/2 or 2xM22x1,5 - 15 mm depth
T : G1/4 or M14x1,5 - 12 mm depth (plugged)

Standard Rotation Viewed from Shaft End
 Port A Pressurized - CW
 Port B Pressurized - CCW

Reverse Rotation Viewed from Shaft End
 Port A Pressurized - CCW
 Port B Pressurized - CW

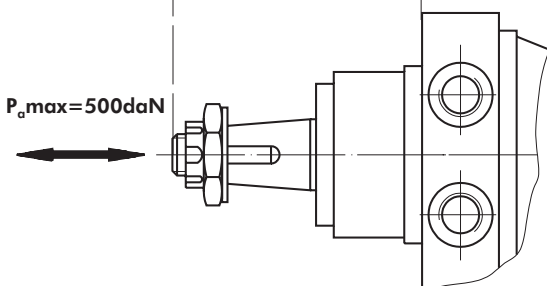


Permissible Shaft Loads EPRMW



$L_h = 2500$ h

1. Permissible radial shaft load
2. Drawing by $n = 50 \text{ min}^{-1}$
3. Drawing by $n = 200 \text{ min}^{-1}$
4. Drawing by $n = 800 \text{ min}^{-1}$
5. Drawing by $n = 200 \text{ min}^{-1}$ and $P_o \text{ max} = 500 \text{ daN}$



Type	L, mm	L ₁ , mm
EPRMW 50	108,0	9,0
EPRMW 80	113,0	14,0
EPRMW 100	116,5	17,4
EPRMW 125	121,0	21,8
EPRMW 160	127,0	27,8
EPRMW 200	134,0	34,8
EPRMW 250	142,5	43,5
EPRMW 315	154,0	54,8
EPRMW 400	168,5	69,4

ORDER CODE

	1	2	3	4	5	6	7	8	9	10	11	12
E P R M												

Pos.1 - Mounting Flange

omit - Oval mount, two holes

F - Oval mount, four holes

Q - Square mount, four bolts

W - Wheel mount with bearings

Pos.2 - Option (needle bearings)

omit - none

N* - with needle bearings (not valid for EPRMW)

Pos.3 - Port type

omit - Side ports

E - Rear ports

Pos.4 - Displacement code

50 - 51,5 [cm³/rev]

80 - 80,3 [cm³/rev]

100 - 99,8 [cm³/rev]

125 - 125,7 [cm³/rev]

160 - 159,6 [cm³/rev]

200 - 199,8 [cm³/rev]

250 - 250,1 [cm³/rev]

315 - 315,7 [cm³/rev]

400 - 397,0 [cm³/rev]

Pos.5 - Shaft Extensions** (see page 26)

C - ø25 straight, Parallel key A8x7x32 DIN6885

VC - ø25 straight, Parallel key A8x7x32 DIN6885 with corrosion resistant bushing

CO - ø1" straight, Parallel key ¼"x¼"x1¼" BS46

VCO - ø1" straight, Parallel key ¼"x¼"x1¼" BS46 with corrosion resistant bushing

SH - ø25,32 splined BS 2059 (SAE 6B)

VSH - ø25,32 splined BS 2059 (SAE 6B) with corrosion resistant bushing

K - ø28,56 tapered 1:10, Parallel key B5x5x14 DIN6885

SA - ø24,5 splined B 25x22 DIN 5482

VSA - ø24,5 splined B 25x22 DIN 5482 with corrosion resistant bushing

CB - ø32 straight, Parallel key A10x8x45 DIN6885

KB - ø35 tapered 1:10, Parallel key B6x6x20 DIN6885

SB - splined A 25x22 DIN 5482

OB - ø1¼" tapered 1:8, Parallel key ⅝"x⅝"x1¼" BS46

HB - ø1¼" splined 14T ANSI B92.1 - 1976

Pos. 6 - Shaft Seal Version (see page 38)

omit - Low pressure seal or Seal for "...B" shaft

D - High pressure seal

Pos. 7 - Case Drain

omit - with internal drain

1 - without case drain

Pos. 8 - Ports

omit - BSPP (ISO 228)

M - Metric (ISO 262)

Pos. 9 - Special Features (see specification data-page 33)

omit - none

LL - Low Leakage

LSV - Low Speed Valve

FR - Free Running

Pos.10 - Rotation

omit - Standard Rotation

R - Reverse Rotation

Pos.11 - Option (Paint)***

omit - no Paint

P - Painted

PC - Corrosion Protected Paint

Pos.12 - Design Series

omit - Factory specified

NOTES:

* Only with "D" Shaft Seal Versions!

** 1) The permissible output torque for shafts must be not exceeded!

2) The following combinations are not allowed- **Q**, **N** options with "...B" shafts.

3) EPRMW is only available with **CB**, **KB** and **OB** shafts.

*** Color at customer's request.

The hydraulic motors are mangano-phosphatized as standard.